



SERVICE MANUAL

HF/50 MHz TRANSCEIVER

IC-7410

S-14719XZ-C1
May. 2011

Icom Inc.

INTRODUCTION

This service manual describes the latest technical information for the **IC-7410** HF/50 MHz TRANSCEIVER, at the time of publication.

MODEL	VERSION
IC-7410	USA
	EUR
	EUR-01
	ITR
	ESP
	TPE
	KOR
	CHN
	FRA
EXP	

CAUTION

NEVER connect the transceiver to an AC outlet or to a DC power supply that uses more than the specified voltage. This will ruin the transceiver.

DO NOT expose the transceiver to rain, snow or any liquids.

DO NOT reverse the polarities of the power supply when connecting the transceiver.

DO NOT apply an RF signal of more than 20 dBm (100 mW) to the antenna connector. This could damage the transceiver's front-end.

To upgrade quality, any electrical or mechanical parts and internal circuits are subject to change without notice or obligation.



ORDERING PARTS

Be sure to include the following four points when ordering replacement parts:

1. 10-digit Icom part number
2. Component name
3. Equipment model name and unit name
4. Quantity required

<ORDER EXAMPLE>

1110003491	S.IC	TA31136FNG	IC-7410	MAIN UNIT	5 pieces
8820001210	Screw	2438 screw	IC-7410	Top cover	10 pieces

Addresses are provided on the inside back cover for your convenience.

REPAIR NOTES

1. Make sure that the problem is internal before disassembling the transceiver.
2. **DO NOT** open the transceiver until the transceiver is disconnected from its power source.
3. **DO NOT** force any of the variable components. Turn them slowly and smoothly.
4. **DO NOT** short any circuits or electronic parts. An insulated tuning tool **MUST** be used for all adjustments.
5. **DO NOT** keep power ON for a long time when the transceiver is defective.
6. **DO NOT** transmit power into a Standard Signal Generator or a Sweep Generator.
7. **ALWAYS** connect a 50 dB to 60 dB attenuator between the transceiver and a Deviation Meter or Spectrum Analyzer, when using such test equipment.
8. **READ** the instructions of the test equipment thoroughly before connecting it to the transceiver.

TABLE OF CONTENTS

SECTION 1 SPECIFICATIONS

SECTION 2 INSIDE VIEWS

SECTION 3 CIRCUIT DESCRIPITON

3-1	RECEIVER CIRCUITS.....	3-1
3-2	TRANSMITTER CIRCUITS.....	3-3
3-3	FREQUENCY SYNTHESIZER CIRCUITS.....	3-4
3-4	VOLTAGE DIAGRAMS.....	3-4
3-5	PORT ALLOCATIONS.....	3-5

SECTION 4 ADJUSTMENT PROCEDURES

4-1	PREPARATION.....	4-1
4-2	FREQUENCY ADJUSTMENT.....	4-3
4-3	TRANSMIT ADJUSTMENT.....	4-4
4-4	RECEIVE ADJUSTMENT.....	4-5

SECTION 5 PARTS LIST

SECTION 6 MECHANICAL PARTS

SECTION 7 BOARD LAYOUTS

DISPLAY BOARD.....	7-1
PLL UNIT.....	7-3
MAIN, RIT, JACK AND MIC UNITS.....	7-5
CONNECT UNIT.....	7-7
PA-A UNIT.....	7-9
VR-A/B/C, PBT AND NETWORK UNITS.....	7-11
CTRL UNIT.....	7-13
BPF UNIT.....	7-15
RF-A UNIT.....	7-17

SECTION 8 WIRING DIAGRAM

SECTION 9 BLOCK DIAGRAM

SECTION 10 VOLTAGE DIAGRAM

DISPLAY BOARD.....	10-1
CONNECT UNIT.....	10-4
MAIN UNIT.....	10-6
RF-A UNIT.....	10-11
BPF UNIT.....	10-13
PA-A UNIT.....	10-14
CTRL UNIT.....	10-16
NETWORK UNIT.....	10-18
PLL UNIT.....	10-19

General

- Frequency coverage : (unit: MHz)
Receive
0.030–60.000^{*1*}^{*2}
Transmit
1.800–1.999^{*2}, 3.500–3.999^{*2},
5.330500^{*3}, 5.346500^{*3}, 5.366500^{*3},
5.371500^{*3}, 5.403500^{*3},
7.000–7.300^{*2}, 10.100–10.150^{*2},
14.000–14.350^{*2}, 18.068–18.168^{*2},
21.000–21.450^{*2}, 24.890–24.990^{*2},
28.000–29.700^{*2}, 50.000–54.000^{*2}
^{*1}Some frequency bands are not guaranteed.
^{*2}Depending on version. ^{*3}Only USA version.
- Mode : USB, LSB, CW, RTTY, AM, FM
- No. of memory channels : 101CH (99 regular, 2 scan edges)
- Antenna impedance : 50 Ω (at Antenna Tuner OFF)
- Antenna connector type : SO-239 × 2
- Usable temperature range : 0°C to +50°C (+32°F to +122°F)
- Frequency stability : Less than ±0.5 ppm 5 min. after power ON. (0°C to +50°C; +32°F to +122°F)
- Frequency resolution : 1 Hz
- Power supply : 13.8 V DC ±15% (negative ground)
- Power consumption
Transmit
Max. power : 23.0 A
Receive
Standby : 2.2 A
Max. audio : 3.0 A
- Dimensions : 315(W) × 116(H) × 343(D) mm
(projections not included) 12.4(W) × 4.57(H) × 13.5(D) in
- Weight (approx.) : 10.2 kg; 22.4 lb
- ACC connector : 13-pin
- CI-V connector : 2-conductor 3.5 (d) mm (1/8")

Transmitter

- Output power (continuously adjustable)
SSB/CW/RTTY/FM : 2 to 100 W
AM : 2 to 27 W* (*Carrier power)
(at 13.8 V DC/+25°C)
- Modulation system
SSB : Digital PSN modulation
AM : Digital Low power modulation
FM : Digital Phase modulation
- Spurious emission
HF bands : Less than –50 dB
50 MHz band : Less than –63 dB
- Carrier suppression : More than 40 dB
- Unwanted sideband suppression : More than 55 dB
- ΔITX variable range : ±9.999 kHz
- Microphone connector : 8-pin connector (600 Ω)
- ELEC-KEY connector : 3-conductor 6.35(d) mm (1/4")
- KEY connector : 3-conductor 6.35(d) mm (1/4")
- SEND connector : Phono jack (RCA)
- ALC connector : Phono jack (RCA)

Receiver

- Receive system : Double superheterodyne system
- Intermediate frequencies
1st : 64.455 MHz
2nd : 36 kHz
- Sensitivity
SSB, CW : 0.16 μV (1.80–29.99 MHz)^{*4}
(10 dB S/N) BW=2.4 kHz : 0.13 μV (50.0–54.0 MHz)^{*5}
AM (10 dB S/N) : 12.6 μV (0.5–1.799 MHz)^{*4}
BW=6 kHz : 2.0 μV (1.80–29.99 MHz)^{*4}
1.6 μV (50.0–54.0 MHz)^{*5}
FM (12 dB SINAD) : 0.5 μV (28.0–29.7 MHz)^{*4}
BW=15 kHz : 0.32 μV (50.0–54.0 MHz)^{*5}
- Squelch sensitivity

Frequency band	Squelch sensitivity
HF	SSB : Less than 5.6 μV ^{*4}
	FM : Less than 0.32 μV ^{*4}
50 MHz	SSB : Less than 5.6 μV ^{*5}
	FM : Less than 0.32 μV ^{*5}

^{*4} Preamp 1 is ON.

^{*5} Preamp 2 is ON.

- Selectivity (IF filter shape is set to SHARP.)
SSB (BW: 2.4 kHz) : More than 2.4 kHz/–6 dB
Less than 3.4 kHz/–40 dB
CW (BW: 500 Hz) : More than 500 Hz/–6 dB
Less than 700 Hz/–40 dB
RTTY (BW: 350 Hz) : More than 500 Hz/–6 dB
Less than 800 Hz/–40 dB
AM (BW: 6 kHz) : More than 6.0 kHz/–6 dB
Less than 10.0 kHz/–40 dB
FM (BW: 15 kHz) : More than 12.0 kHz/–6 dB
Less than 22.0 kHz/–40 dB
- Spurious and image rejection ratio : More than 70 dB
- AF output power : More than 2.0 W at 10%
(at 13.8 V DC) distortion with an 8 Ω load
- RIT variable range : ±9.999 kHz
- PHONES connector : 3-conductor 6.35 (d) mm (1/4")
- External SP connector : 2-conductor 3.5 (d) mm
(1/8")/8 Ω
- DSP ANF attenuation : More than 30 dB
(with 1 kHz single tone)
- DSP MNF attenuation : More than 70 dB
- DSP NR attenuation : More than 6 dB
(noise rejection in SSB)

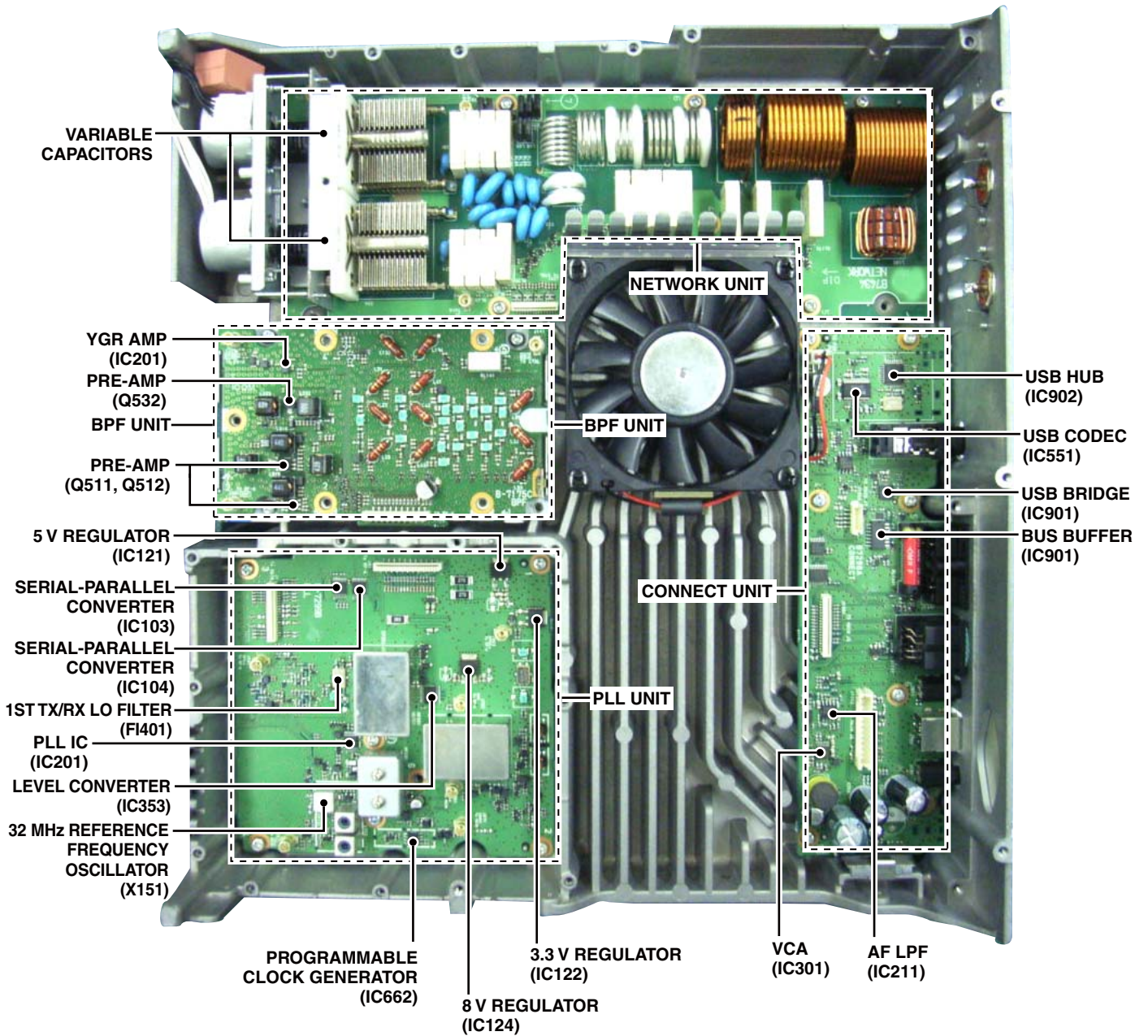
Antenna tuner

- Matching impedance range
HF bands : 16.7 to 150 Ω unbalanced
(Less than VSWR 1:3)
50 MHz band : 20 to 125 Ω unbalanced
(Less than VSWR 1:2.5)
- Minimum operating input power : 8 W (HF bands)
15 W (50MHz band)
- Tuning accuracy : VSWR 1:1.5 or less
- Insertion loss (after tuning at RF power 100W)
1.8 MHz band : 1.2 dB or less
Bands other than 1.8 MHz : 1.0 dB or less

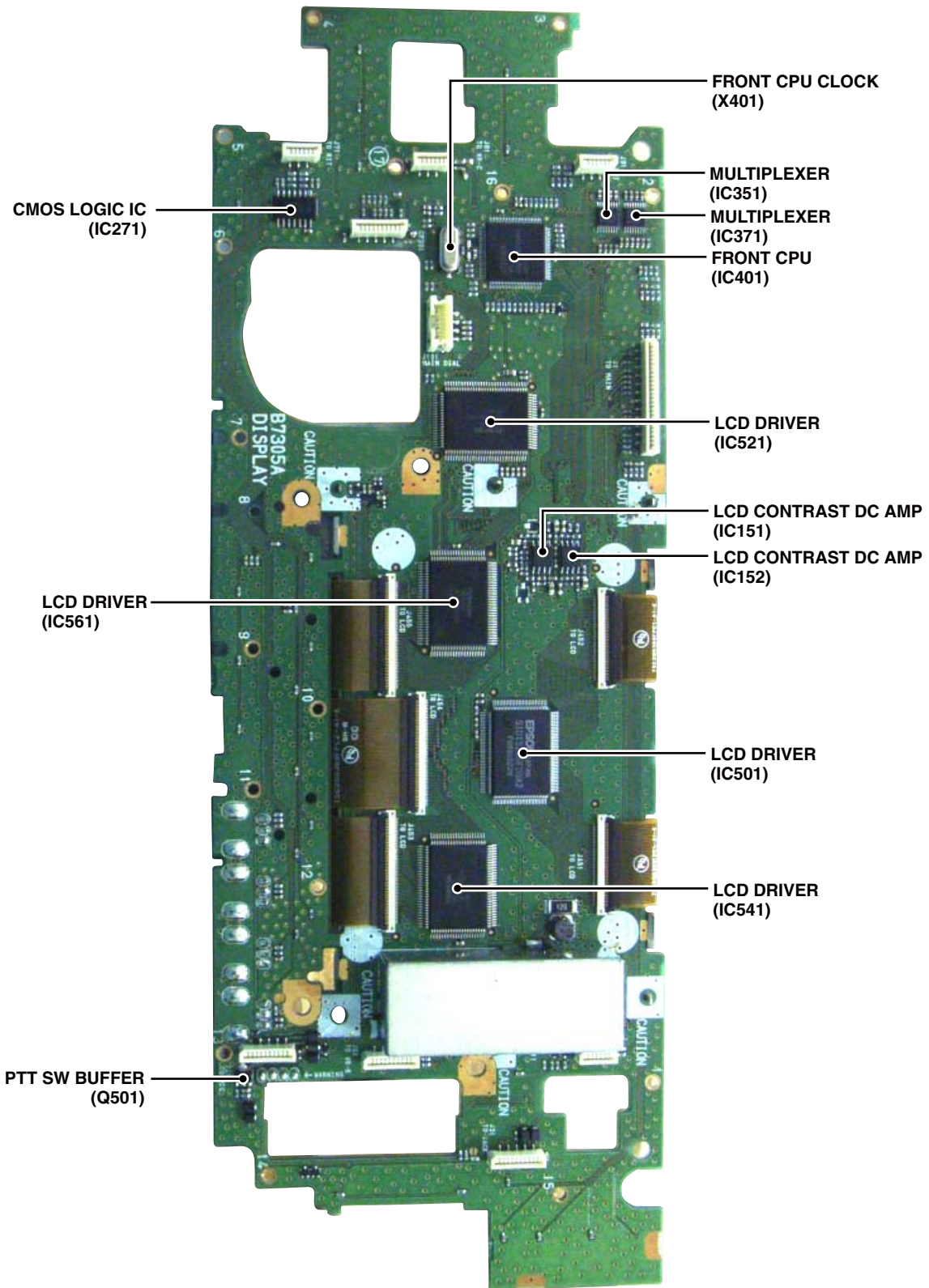
SECTION 2

INSIDE VIEWS

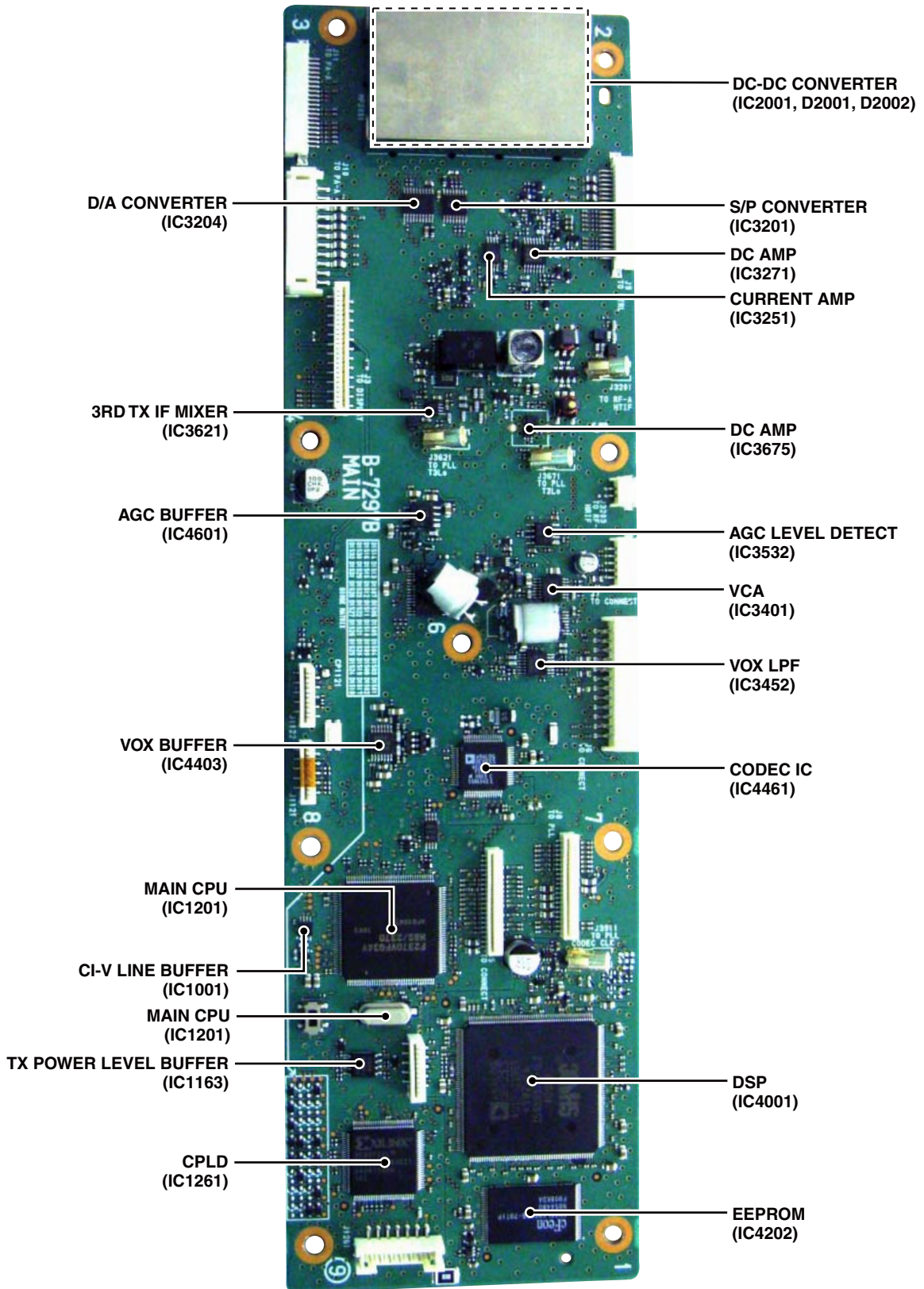
• THE VIEW FROM THE BOTTOM OF CHASSIS



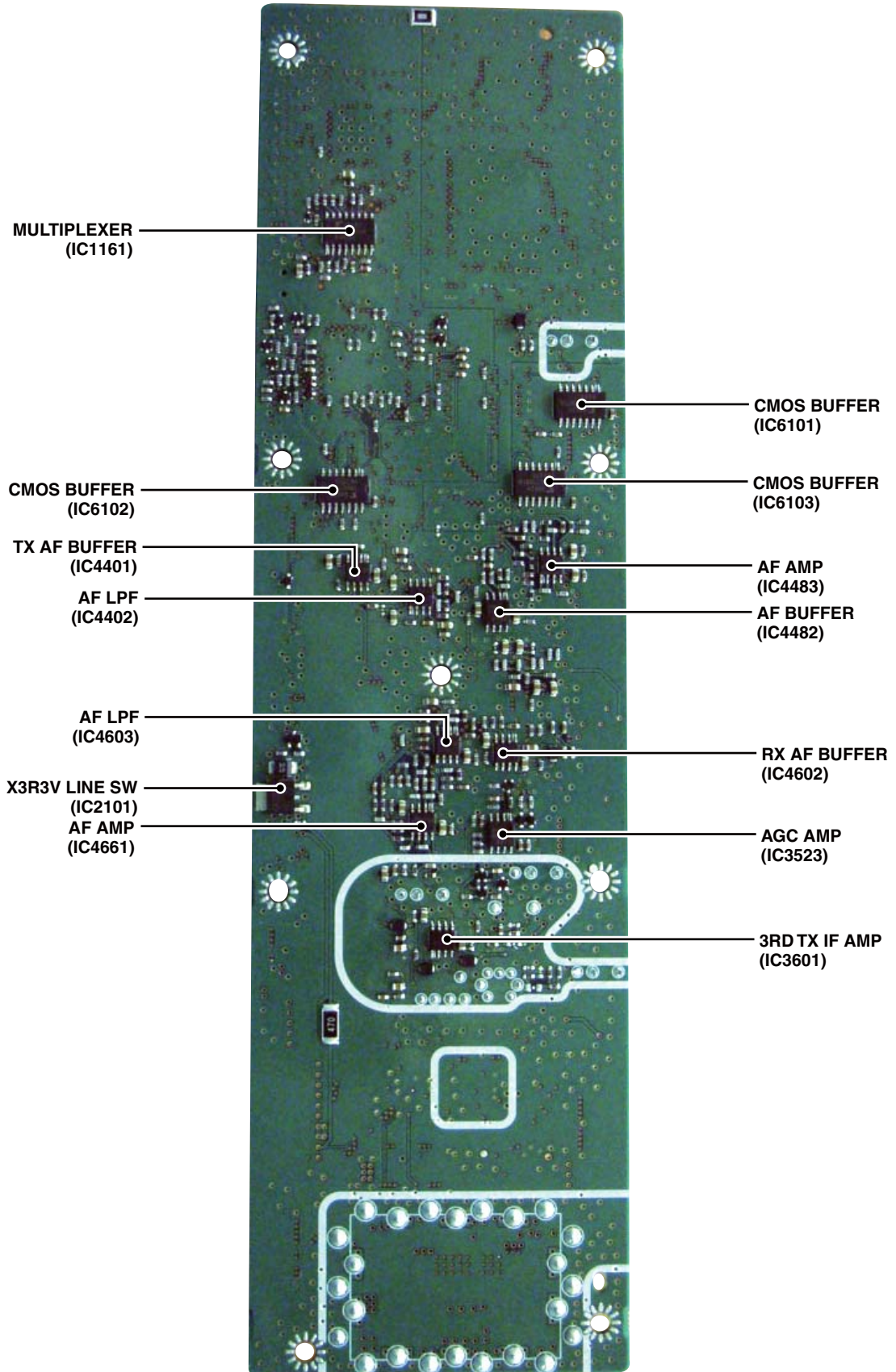
• DISPLAY UNIT



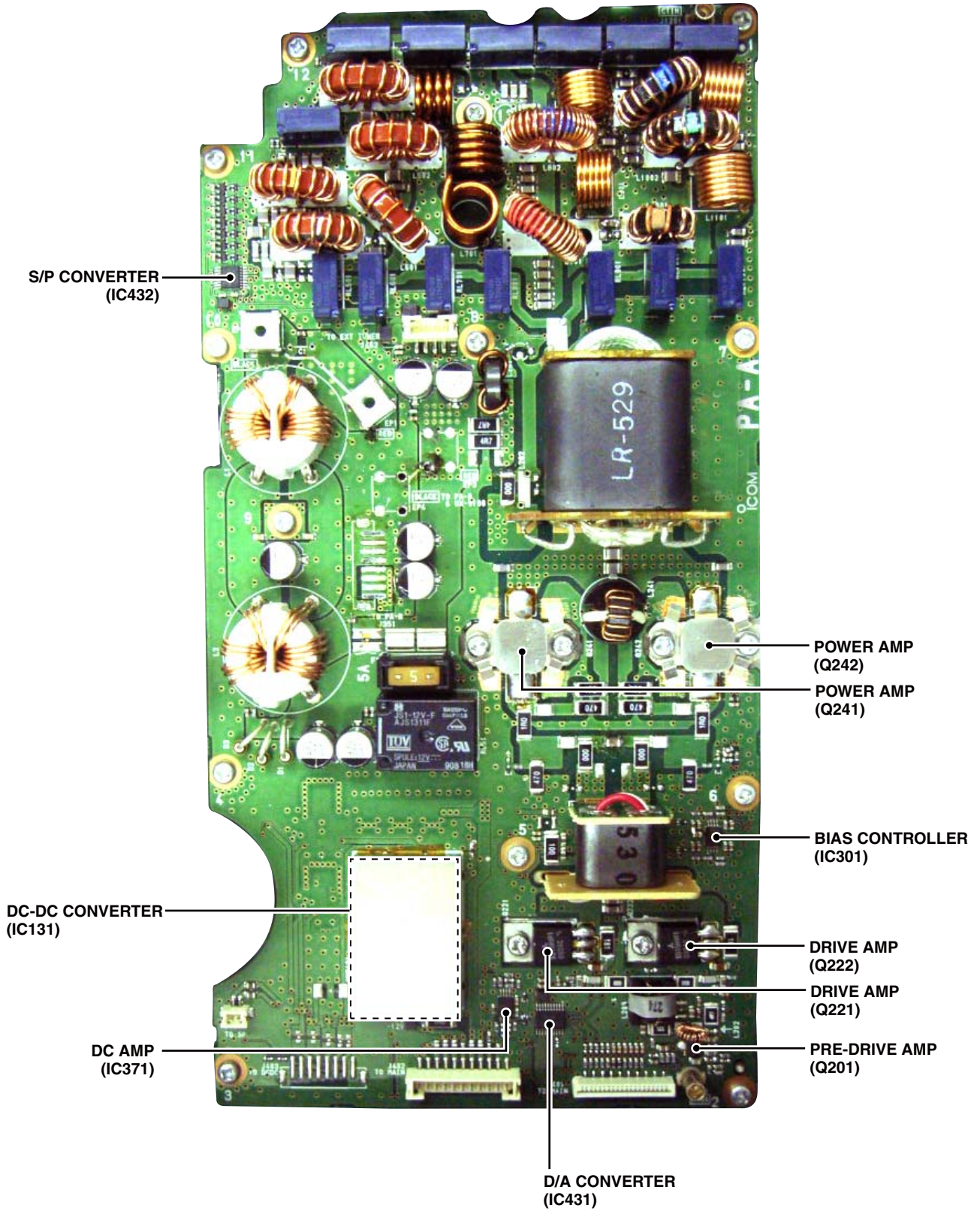
• MAIN UNIT
(TOP VIEW)



• MAIN UNIT
(BOTTOM VIEW)



• PA-A UNIT



3-1 RECEIVER CIRCUITS

ANTENNA SWITCHING CIRCUITS (CTRL UNIT)

RX signal from the antenna connector [ANT1] (J1) or [ANT2] (J2) is passed through the antenna switch (RL501), current detector (D401), tuner switches (RL351 and RL301), RX line switches (RL601 and RL621) and LPF, and then applied to the BPF UNIT.

ATTENUATOR CIRCUITS (BPF UNIT)

The RX signal from the CTRL UNIT is passed through or bypassed the attenuator circuit (RL141, R141–R143), depending on the setting.

The RX signal, which is passed through or bypassed the attenuator circuit (RL141, R141–R143), is applied to the BPF circuits.

BPF CIRCUITS (BPF UNIT)

The RX signal from the attenuator circuits is passed through an LPF or one of BPFs, depending on the operating frequency, to remove unwanted out-of-band signals.

The filtered RX signal is applied to or bypassed the preamplifier circuits.

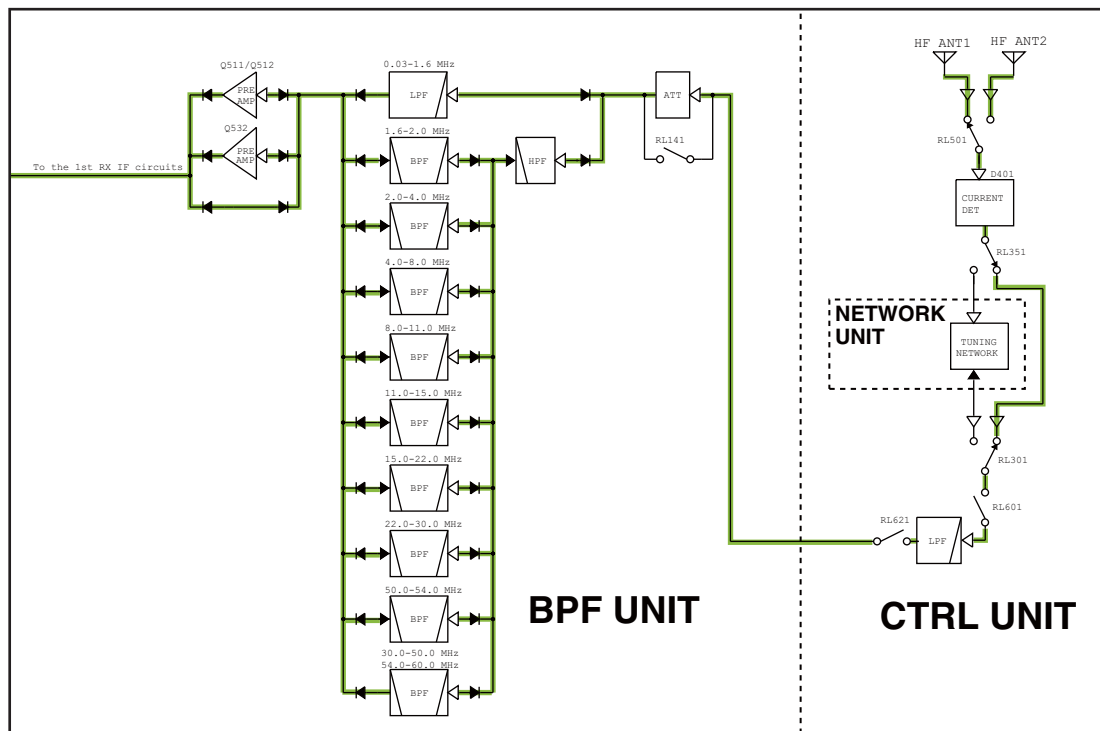
PREAMPLIFIER CIRCUITS (BPF UNIT)

The RX signal from the BPF circuits is applied to or bypassed the preamplifier.

When the Preamplifier function is activated, the RX signal is amplified by one of preamplifiers (Q511, Q512 (for 1.8–2.1 MHz) or Q532 (for 24–50 MHz)).

The amplified or bypassed RX signal is applied to the RF-A UNIT.

• ANTENNA SWITCHING CIRCUITS TO PREAMPLIFIER CIRCUITS



1ST RX IF CIRCUITS (RF-A UNIT)

The RX signal from the BPF UNIT is passed through the LPF, which removes unwanted signals (60 MHz and higher), and then applied to the 1st RX IF mixer (Q721–Q724) to be mixed with the 1st RX LO signal (64.485–124.455 MHz) from the PLL UNIT, resulting in the 64.455 MHz 1st RX IF signal.

The 1st RX IF signal is amplified by the 1st RX IF AMP (Q741) and passed through one of the 1st IF filters (FI911; FL-434, or optional FL-430 or FL-431), which has different passband widths, according to the IF filter setting.

The filtered 1st RX IF signal is amplified by the RX IF AMPs (Q1051 and Q1071, Q1072), and then applied to the 2nd RX IF circuits.

2ND RX IF CIRCUITS (RF-A UNIT)

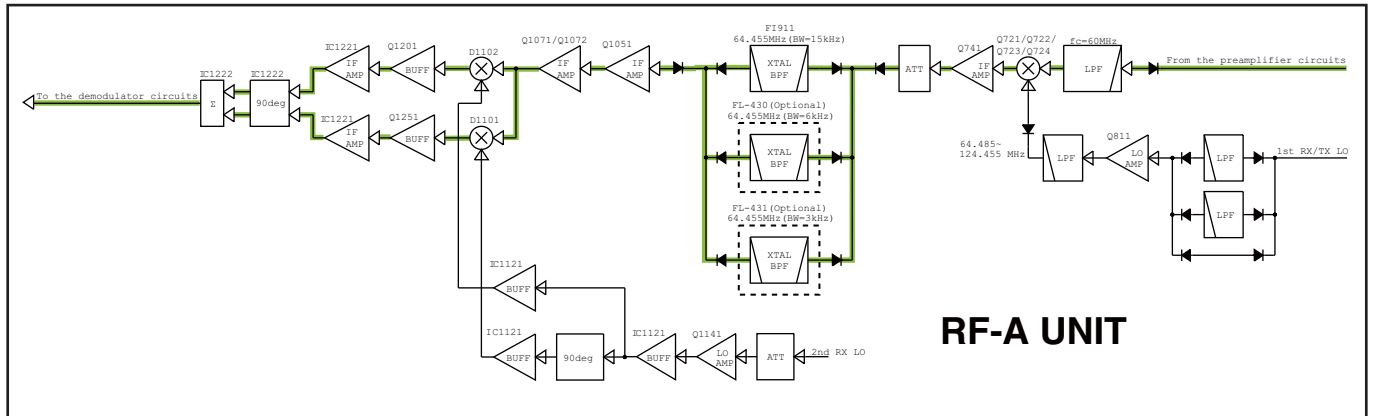
The 1st RX IF signal from the 1st RX IF circuits is divided into two paths, and then each signal is applied to the 2nd RX IF mixers (the image reduction mixers; D1102/D1101) to be mixed with the 2nd RX LO signal (64.491 MHz) from the PLL UNIT, resulting in the 36 kHz 2nd RX IF signal.

The image reduction mixer removes image frequency components by using two LO signals which are 90 degrees phase-shifted from each other.

The 2nd RX IF signals are independently amplified by the buffers (Q1201/Q1251) and IF AMPs (IC1221).

These amplified 2nd RX IF signals are 90 degrees phase-shifted and combined by the combiner (IC1222), and then applied to the MAIN UNIT.

• 1ST RX IF AND 2ND RX IF CIRCUITS



RF-A UNIT

DEMODULATOR CIRCUITS (MAIN UNIT)

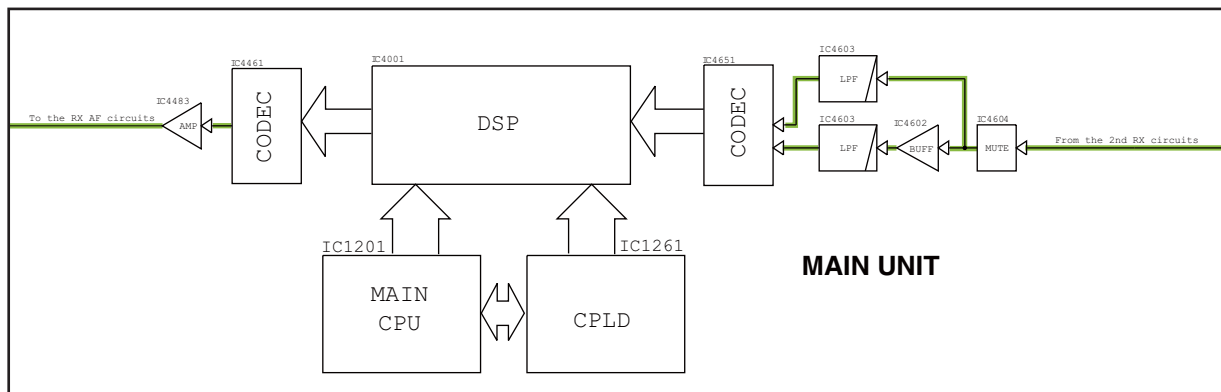
The 2nd RX IF signal from the 2nd RX IF circuits is passed through the RX mute SW (IC4604) and the balance-unbalance converter (Balun; IC4602/IC4603), and then applied to the CODEC (IC4651) to be converted into digital audio signal.

The demodulated signal is applied to another CODEC (IC4461) to be converted into analog AF signal, and then applied to the buffer amplifier (IC4483).

The converted digital audio signal is applied to the DSP (IC4001), and demodulated and processed.

The buffer amplified AF signal is applied to the CONNECT UNIT.

• DEMODULATOR CIRCUITS



MAIN UNIT

RX AF CIRCUITS (CONNECT UNIT)

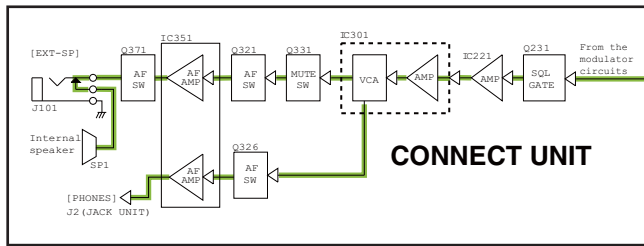
• AUDIO OUTPUT FROM THE SP/HEADPHONES

The AF signal from the demodulator circuits is applied to the AF AMP (IC221), through the squelch gate (Q231). The amplified AF signal is applied to the Voltage Controlled Amplifier (VCA; IC301) to be adjusted in level (=audio output level).

The level-adjusted AF signal is applied to the AF power AMP (IC351), through the mute SW (Q331) and AF SW (Q321).

The amplified AF signal is passed through the AF mute switch (Q371), and then applied to the internal speaker or external speaker jack (J101), or the amplified AF signal is applied to the headphones jack (JACK BORD: J2).

• RX AF CIRCUITS



3-2 TRANSMITTER CIRCUITS

TX AF CIRCUITS (MAIN UNIT)

The audio signal from the microphone (MIC signal) is applied to the MAIN UNIT, through the MICROPHONE CONNECTOR (MIC BOARD; J1), and then applied to the Voltage Controlled Amplifier (VCA; IC3401).

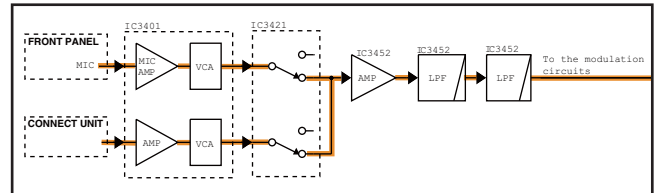
The applied MIC signal is amplified by the MIC AMP, and adjusted in level (=MIC gain) by the VCA circuit.

The level-adjusted MIC signal is passed through the MIC line SW (IC3421), amplified by the AF AMP (IC3452), and then applied to the modulation circuits, through the two LPFs (IC3452).

The MIC signal from the accessory socket [ACC1] on the rear panel, is directly applied to the AF AMP (IC3452), through the MIC line SW (IC3421).

The amplified MIC signal is applied to the modulation circuits.

• TX AF CIRCUITS



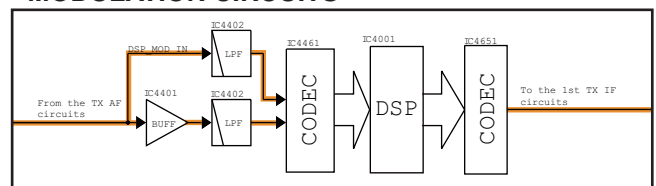
MODULATION CIRCUITS (MAIN UNIT)

The MIC signal from the TX AF circuits is passed through the Balance-Unbalance converter (Balun; IC4401, IC4402), and then applied to the CODEC (IC4461), to be converted into digital audio signal.

The converted digital audio signal is applied to the DSP (IC4001), and processed and modulated.

The modulation signal is converted into analog audio signal by the CODEC (IC4651), and then applied to the 3rd TX IF circuits as the 3rd TX IF signal.

• MODULATION CIRCUITS



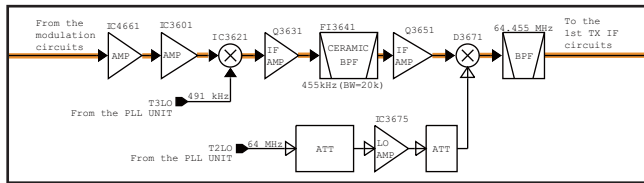
3RD TX IF AND 2ND TX IF CIRCUITS (MAIN UNIT)

The 3rd TX IF signal from the modulation circuits is amplified by two AMPs (IC4661 and IC3601), and then applied to the 3rd TX mixer (IC3621) to be mixed with the 3rd TX LO signal from the PLL UNIT, resulting in the 455 kHz 2nd TX IF signal.

The converted 2nd TX IF signal is amplified by the IF AMP (Q3631), and then passed through the 2nd TX filter (FI3641). The filtered 2nd TX IF signal is amplified by the 2nd TX IF AMP (Q3651), and then applied to the 2nd TX mixer (D3671). The 2nd TX IF signal is mixed with the 64 MHz 2nd TX LO signal from the PLL UNIT, resulting in the 64.455 MHz 1st TX IF signal.

The 1st TX IF signal is applied to the 1st TX IF circuits on the RF-A UNIT.

• 3RD TX IF AND 2ND TX IF CIRCUITS



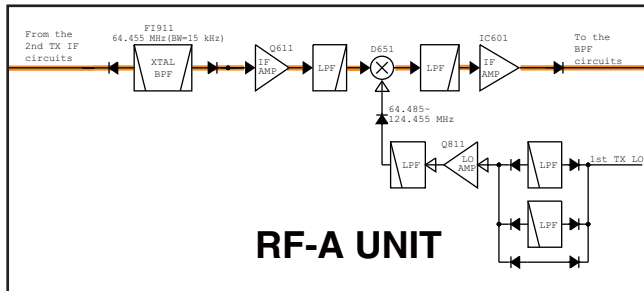
1ST TX IF CIRCUITS (RF-A UNIT)

The 1st TX IF signal from the 2nd TX IF circuits is passed through the 1st TX IF filter (FI911) to remove unwanted signals. The filtered signal is amplified by the IF AMP (Q611), and then applied to the 1st TX mixer (D651), through the LPF.

The 1st TX IF signal is mixed with the 1st TX LO signal from the PLL UNIT, resulting in the TX signal (TX frequency itself).

The converted TX signal is passed through the LPF, and amplified by the AMP (IC601), and then applied to the BPF circuits.

• 1ST TX IF CIRCUITS

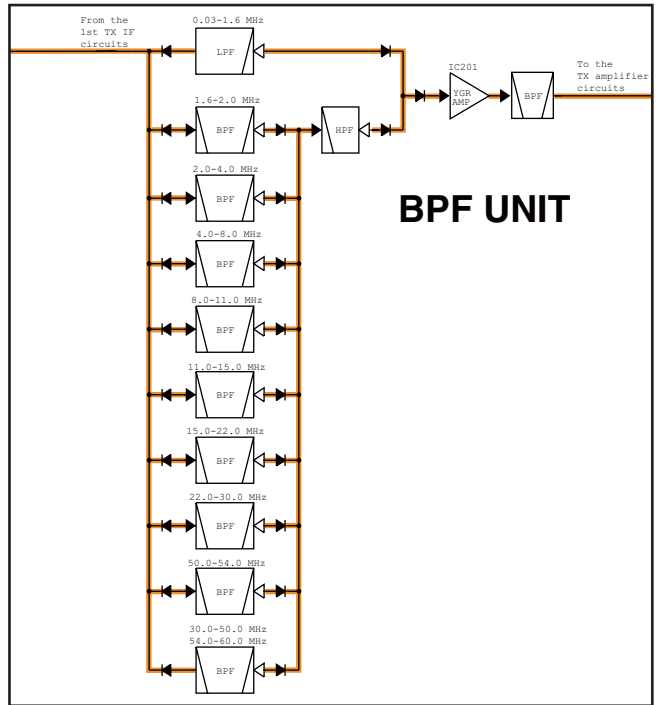


BPF CIRCUITS

The TX signal from the 1st TX IF circuits is passed through an LPF or one of BPFs, depending on the transmitting frequency, to remove unwanted signals contained in the TX signal.

The filtered TX signal is amplified by the YGR AMP (IC201), and then applied to the PA-A UNIT, through the BPF.

• BPF CIRCUITS



TX AMPLIFIER CIRCUITS (PA-A UNITS)

The TX signal from the BPF UNIT is sequentially amplified by the pre-drive AMP (Q201), drive AMP (Q221, Q222), and power AMP (Q241, Q242).

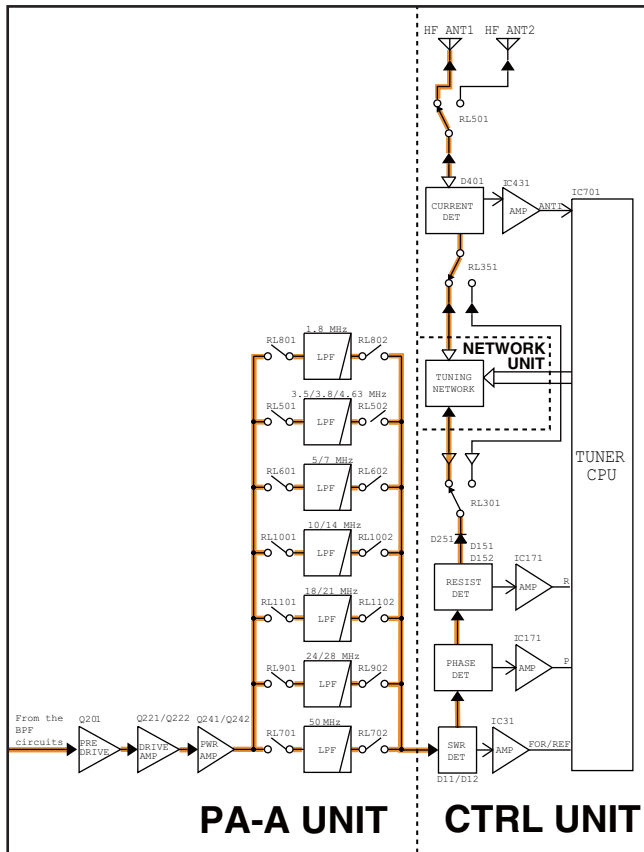
The amplified TX signal is applied to the TX filter circuits.

TX FILTER CIRCUITS (PA-A UNIT)

The amplified TX signal from the power AMP (Q241, Q242) is passed through one of LPFs, depending on the transmitting frequency, to remove harmonic components contained in the TX signal.

The filtered TX signal is applied to the CTRL UNIT.

• TX AMPLIFIER AND TX FILTER CIRCUITS



ANTENNA TUNING AND SWITCHING CIRCUITS (CTRL UNIT)

The TX signal from the PA-A UNIT is passed through 4 detection circuits on the CTRL UNIT, before being applied to the antenna connector [ANT1] or [ANT2].

Referring to the detected parameters, the tuner CPU (IC701) controls the tuning networks on the NETWORK UNIT, to match the transceiver and connected antenna.

SWR DETECTION CIRCUIT

The forward wave is rectified by D12 at the current detect transformer (L11). The rectified voltage is amplified by the DC AMP (IC41), and then applied to the A/D port of the tuner CPU (IC701).

The reflected wave is rectified by D11 at the current detect transformer (L11). The rectified voltage is amplified by the DC AMP (IC41), and then applied to the A/D port of the tuner CPU (IC701).

REACTANCE DETECTION CIRCUIT

The TX signal which is picked up at the current detect transformer (L101), and the TX signal which is picked up by C101, C105 and R105, are rectified by D102 and D101, and amplified by C-MOS IC (IC111).

The amplified signal is applied to IC131, through the buffer (IC121) for phase comparison. The resulting signal of phase comparison is rectified by D131 and D132, and composed and amplified by IC51, then applied to the A/D port of the tuner CPU (IC171).

RESISTANCE DETECTION CIRCUIT

A portion of the TX signal is picked up by L151 and C152, and rectified by D152 to be converted into DC voltage.

Another portion of the TX signal is rectified by D151 to be converted into DC voltage too.

And these voltages are the same when the connected load (=antenna) is matched to 50 Ω. Thus the difference of these voltages represents the resistance components.

By comparing the difference of these voltages, the transceiver detects the resistance components.

The detected resistance components are buffered by Q151 and amplified by IC171, and then applied to the A/D port of the tuner CPU (IC701).

CURRENT DETECTION CIRCUIT

A portion of the TX signal is picked up by L401, rectified by D401, and applied to IC431 to be level-compared with the voltage from the SWR detection circuit.

When the resistance of connected load (=antenna) is less than 10 Ω, the TX signal is bypassed the NETWORK UNIT, through the tuner compulsorily switches (RL301 and RL351), to protect the circuit on the NETWORK UNIT from reflected waves.

3-3 FREQUENCY SYNTHESIZER (PLL UNIT)

REFERENCE FREQUENCY OSCILLATOR CIRCUIT

The crystal oscillator (X151) generates the 32 MHz reference frequency signal. This reference signal is applied to the Local Oscillator (LO) circuits, through the buffer (Q151) and LPF (L153, C156–158).

3RD TX LO CIRCUIT

The 32 MHz reference signal from the crystal oscillator (X151) is doubled by the doubler (Q551, L551, L552), resulting in the 64 MHz reference clock signal. Using the 64 MHz reference clock signal, the 491 kHz 3rd TX LO signal is directly generated by 10-bit DDS (IC702) and D/A converter (R703–R722). The generated 491 kHz 3rd TX LO signal is passed through the LPF (L702, C713, C715), buffer (Q701), LO SW (D851), BPF (L851–L853, C851, C853, C855, C856, C858), and then applied to the MAIN UNIT.

2ND TX LO CIRCUIT

The 32 MHz reference signal from the reference frequency oscillator circuit is doubled by the doubler (Q551, L551, L552) to extract the 64 MHz of 2nd harmonic component. The 64 MHz signal is applied to the MAIN UNIT as the 2nd TX LO signal, through the buffers (Q552 and Q571).

The 2nd TX LO signal is amplified by the LO AMP (MAIN UNIT: IC3675), and then applied to the 2nd TX mixer (MAIN UNIT: D3671).

2ND RX LO CIRCUIT

The 64 MHz reference signal from the buffer (Q552) and the 491 kHz signal from the 3rd TX LO circuit is mixed by the 2nd RX LO mixer (D951), to generate the 2nd RX LO signal.

The 2nd RX LO signal is filtered by the crystal filter (FI981), and then applied to the RF-A UNIT as the 2nd RX LO signal.

The 2nd RX LO signals which are 90 degrees phase-shifted from each other, is applied to the 2nd IF mixers (D1101 and D1102), through the buffers (IC1121).

1ST RX LO/TX LO CIRCUITS

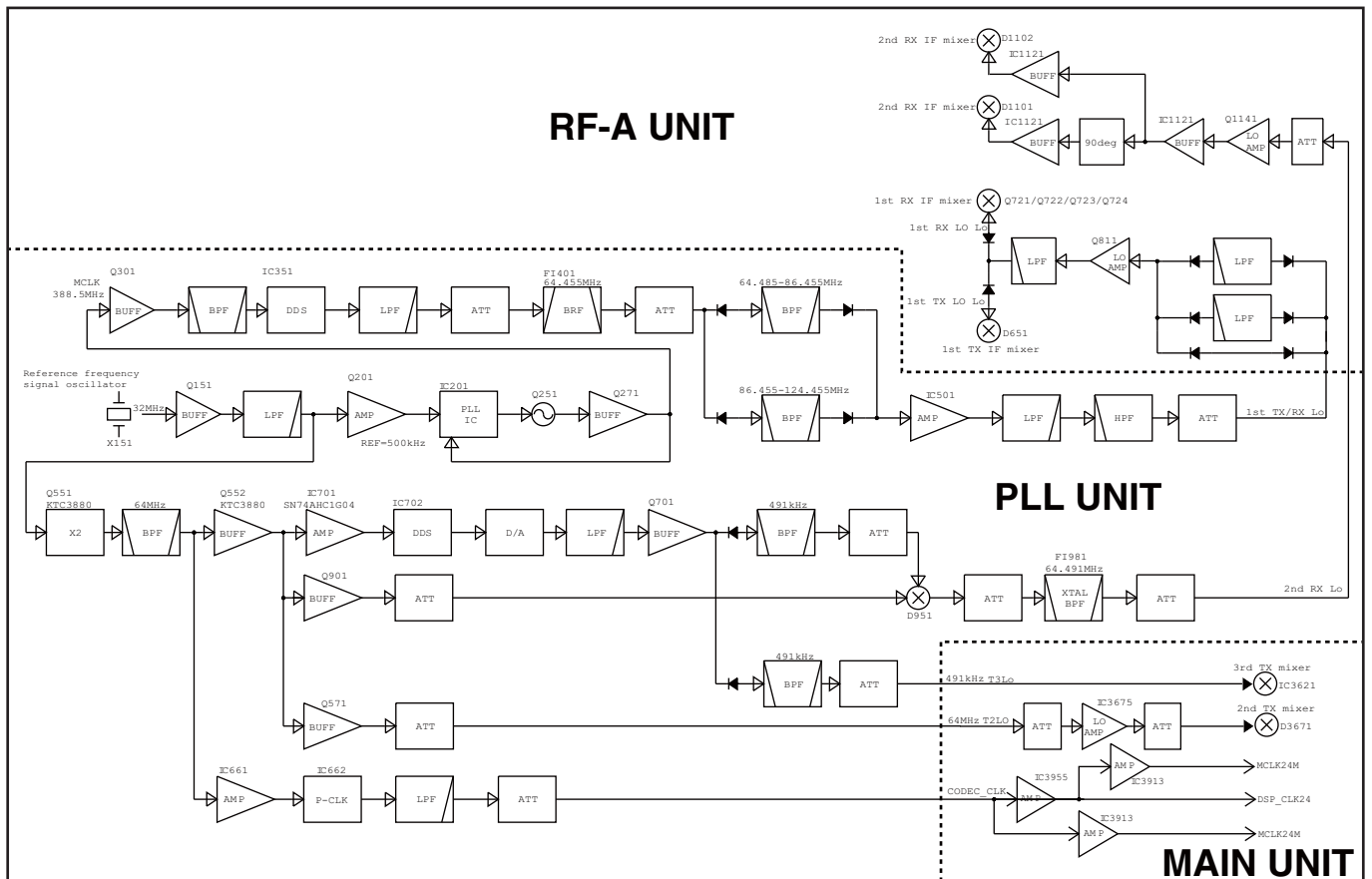
The 32 MHz reference signal from the reference frequency oscillator circuit is amplified by Q201, and applied to the PLL IC (IC201) as the reference frequency signal. The PLL IC (IC201) generates the 388.5 MHz master clock signal, using the applied 32 MHz reference signal as the reference.

The generated 388.5 MHz master clock signal is passed through the buffer (Q301) and BPF (L301–L304, C305–C312), and then applied to the DDS IC (IC351).

Using the applied DDS master clock signal as the reference, the DDS IC generates the 1st RX/TX LO signal. The generated 1st RX/TX LO signal is passed through the LPF (L381, C381, C382), MCF notch filter (FI401), BPF (L421–L423, C421–C428 or L451–L453, C451–C458, C462; depending on the operating frequency), and amplified by the LO AMP (IC501). The amplified signal is applied to the RF-A UNIT, through the LPF (L502, L503, C504–C509), HPF (L504, C510–512).

The 1st RX/TX LO signal is passed through the harmonic filter (RF-A UNIT; L868–L870, C872–C876 or L861–L864, C866–C870 or L871, C879, C880), and amplified by the LO AMP (Q811), and then applied to the 1st RX mixer (Q721–Q724) or 1st TX mixer (D651), through the LPF (L831–L833, C831–C836) and LO SW (D851, D852).

• FREQUENCY SYNTHESIZER CIRCUITS



3-4 CPU PORT ALLOCATIONS

• MAIN CPU (MAIN UNIT: IC1201)

Pin No.	Line Name	Description	I/O
3	VBUS	VBUS connection detect for USB HUB. H=USB connection detected.	I
8	DAVOX	MIC signal detect. H=Input detect.	I
9	CTFL	CW TX status.	I
11	RTKI	RTTY keying input. H="Space" input.	I
12	UNLK	PLL (ADF4630) unlock detect. L=Unlock detected.	I
14	VSQM	Squelch level input. H=Squelch open.	I
16	RTDM	RTTY decode data from the DSP.	I
19	MHSK0	Handshake signal from the DSP.	I
23	FRES	Front CPU reset signal.	O
26	HIFOP1K	Optional IF filter (bandwidth=6 kHz) installation detect. L=Installed.	O
27	HIFOP2K	Optional IF filter (bandwidth=3 kHz) installation detect. L=Installed.	O
31	TRVI	Transverter input (from [ACC2]). L=A transverter is connected.	I
33	UDTXD	Data output port for [USB] connector.	O
35	PWRS	Transceiver power ON/OFF control. H=Power ON.	O
36	UPWS	USB HUB power control. H=USB power ON.	O
37	H8_CS6#	Dual-port SRAM chip select signal. L=Selected.	O
38	H8_CS7#	Expander chip select signal. L=Selected.	O
42	PCK	PLL serial clock.	O
43	PDAT	PLL serial data.	O
44	PSL	PLL strobe.	O
45	PST	PLL strobe output.	O
46	SKYS	Straight key/electronic keyer input. (A/D) L=Key down.	I
47	EXRL	External SEND relay output. H=Relay ON	O
48	ESTA	External tuner "START" signal output. L=Tuning start.	O
49	EKEY	External tuner "KEY" signal input. L=While tuning/tune NG.	I
51	MCK	Common serial clock.	O
52	MDAT	Common serial data.	O
53	TCON	External tuner connection detect.	I
54	CTXD	CI-V (UART) output.	O
55	CRXD/ CBSY	CI-V (UART) input/CI-V bus busy input. L=Data "1" /Busy.	I
56	PCK/ CON0	DDS clock.	O
56	DSPCK	DSP clock.	O
57	DSPR	DSP data.	O
59	UDRXD	USB data input.	I
73- 80	H8_D8- H8_D15	DSP address bus.	O
82	TND	QPSK (L) decode data.	I

Pin No.	Line Name	Description	I/O
83	NSQ	Noise pulse.	I
84	PSENI	Microphone PTT input. H=While transmitting.	I
84	H8_WAIT#	Bus control "Wait" signal.	I
85	TRAS	SEND signal.	O
87	H8_LWR#	(Bus control) "L" write signal. L=While writing.	O
88	H8_HWR#	(Bus control) "H" write signal. L=While writing.	O
89	H8_RD#	(Bus control) Read signal. L=While reading.	O
90	H8_AS#	(Bus control) Address strobe.	O
92	RES	CPU reset. H=Reset.	O
94	SENI	PTT/ACC SEND signal. H=While transmitting.	I
105	DSKY	DSP CW/RTTY keying signal. L=Key down/space.	O
115	VOXL	VOX level input.	I
121	DX1	TX/RX DSP data.	I
124	THRI	Internal tuner through signal. H=Tuner through.	I
125	BEEP	Beep audio.	O
126	STON	Side tone.	O
133	LTXD	Data output (UART) for the communication with the front CPU.	O
134	LRXD	Data input (UART) for the communication with the front CPU.	I
135	PWRK	[POWER] input. (Pull-up)	I
137	EDT	EEPROM data.	I/O
138	ECK	EEPROM clock.	O
140	IKEY	Internal tuner "KEY" input (UART). L=Tuner ON.	I
142	ISTA	Internal tuner "START" signal (UART).	O

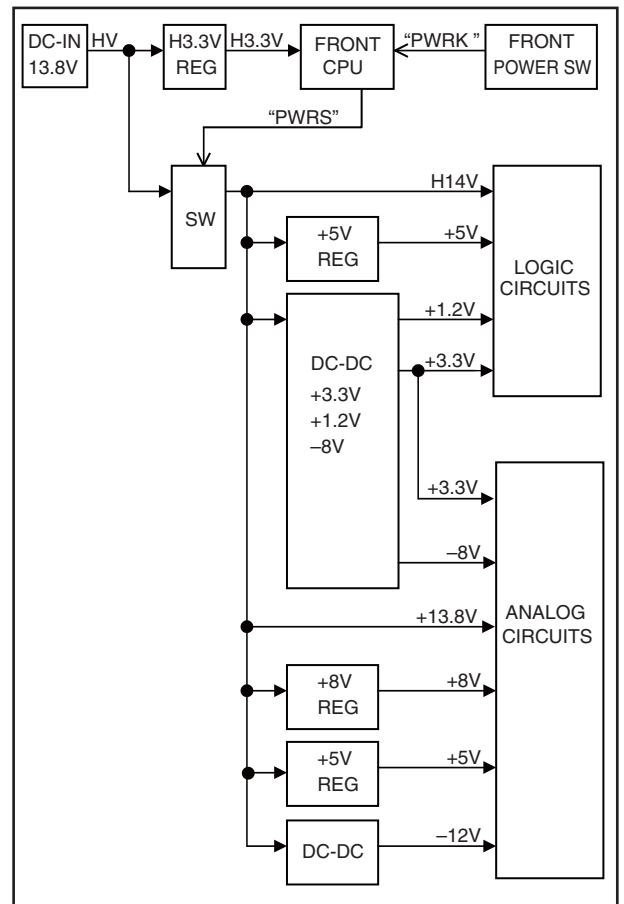
• EXPANDER (MAIN UNIT: IC1161)

Pin No.	Line Name	Description	I/O
12	FORL	Forward wave detect voltage. (A/D)	I
1	REFL	Reflected wave detect voltage. (A/D)	I
14	ALCL	ALC meter voltage input. (A/D)	I
5	IDL	Drive AMP current (ID) detect voltage. (A/D)	I
4	VDL	Drive AMP voltage (VD). (A/D)	I
15	THML	Temperature sensing voltage from the thermal sensor on the PA-A UNIT. (A/D)	I

• FRONT CPU (DISPLAY BOARD: IC401)

Pin No.	Line Name	Description	I/O
1	CNT2V	LCD contrast control. (segment area) (1-2.3 V)	O
2	CNT1V	LCD contrast control. (dot area) (1-2.3 V)	O
10	FRES	Front CPU Reset. L=Reset.	I
19	RITDBK	[RIT/ΔTX] dial phase-B.	I
20	RITDAK	[RIT/ΔTX] dial phase-A.	I
21	MAINDAK	[MAIN] dial phase-A.	I
22	MAINDBK	[MAIN] dial phase-B.	I
23	TDS	TX LED control. H=Lights. (While transmitting)	O
24	BKLV	LCD backlight control. (PWM)	O
29	DTXD	UART port (TX)	O
30	DRXD	UART port (RX)	I
33	LTXD	Data output (UART) for the communication with the main CPU.	O
34	LRXD	Data input (UART) for the communication with the main CPU.	I
35	DOTK	Ele-key input. (Dot)	I
36	DSHK	Ele-key input. (Dash)	I
37	PHNK	Headphones connection detect. H=Connected.	I
38	NOTK	[NOTCH] input. (Pull-up)	I
40	LOCKK	[LOCK] input. (Pull-up)	I
43	PBCLK	[PBT-CLK] input. (Pull-up)	I
45	RITCLK	[CLEAR] input. (Pull-up)	I
46	DTXK	[ΔTX] input. (Pull-up)	I
47	FILK	[FILTER] input. (Pull-up)	I
48	XFCK	[XFC] input. (Pull-up)	I
49	MENUK	[MENU] input. (Pull-up)	I
50	RITK	[RIT] input. (Pull-up)	I
51	F5K	[F-5] input. (Pull-up)	I
52	F4K	[F-4] input. (Pull-up)	I
53	F3K	[F-3] input. (Pull-up)	I
54	F2K	[F-2] input. (Pull-up)	I
55	F1K	[F-1] input. (Pull-up)	I
56	NBK	[NB] input. (Pull-up)	I
57	NRK	[NR] input. (Pull-up)	I
58	ANTK	[ANT] input. (Pull-up)	I
59	TUNK	[TUNER] input. (Pull-up)	I
61	TRAK	[TRANSMIT] input. (Pull-up)	I
63-70	LD7-LD0	LCD segment ports.	O
83	PBT2BK	[PBT] outer dial phase-B.	I
84	PBT2AK	[PBT] outer dial phase-A.	I
85	PBT1BK	[PBT] inner dial phase-B.	I
86	PBT1AK	[PBT] inner dial phase-A.	I
88	PITCHL	[CW PITCH] dial input.	I
90	NRL	[NR] dial input.	I
91	NOTL	[NOTCH] dial input.	I
92	MUDL	[MIC] Up/Down input.	I
98-100	ASL2-ASL0	Analog SW (CD4501) control.	O

3-5 VOLTAGE BLOCK DIAGRAM



SECTION 4 ADJUSTMENT PROCEDURE

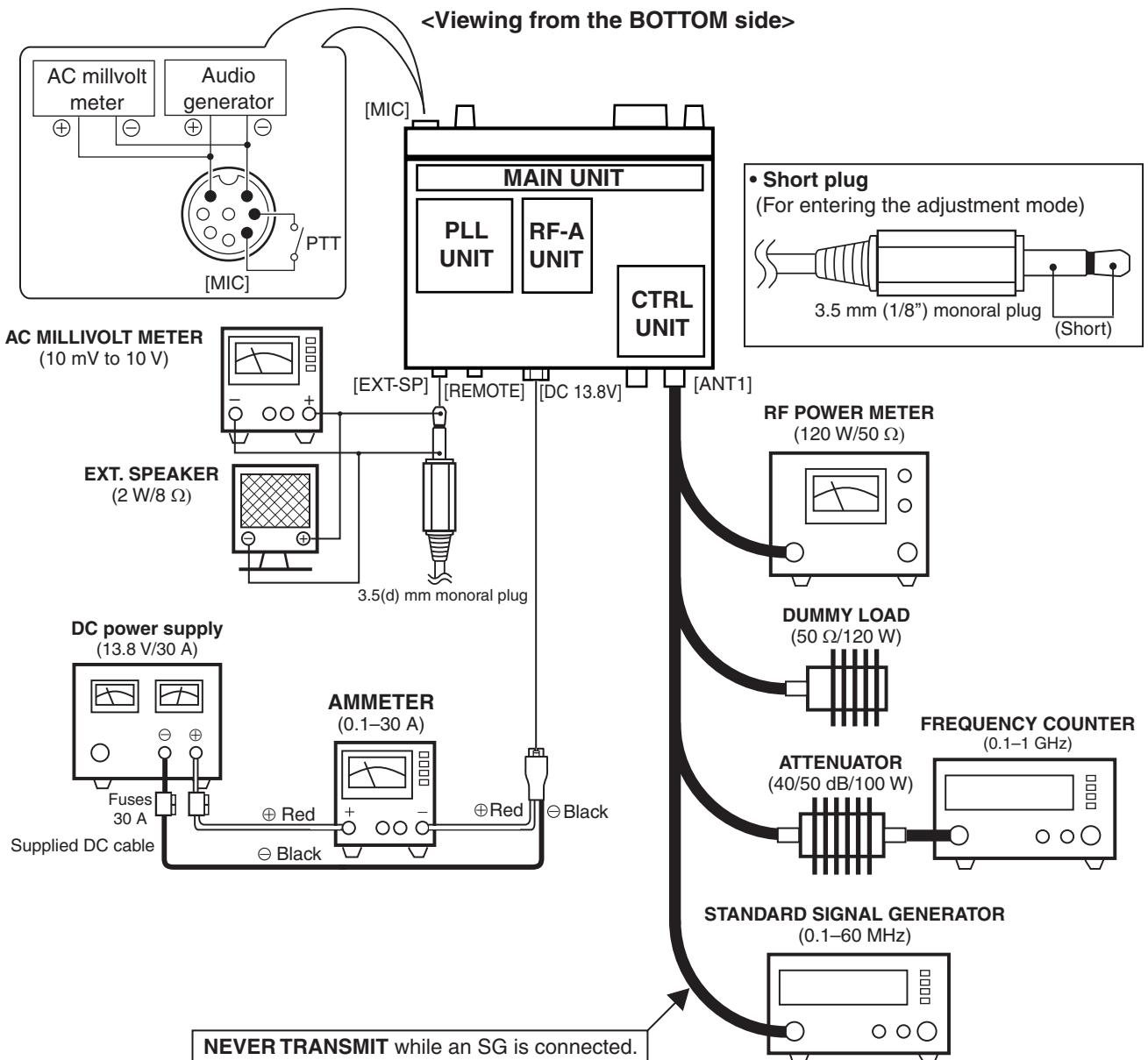
4-1 PREPARATION

REQUIRED EQUIPMENTS

EQUIPMENT	GRADE AND RANGE	EQUIPMENT	GRADE AND RANGE
Short plug	Modified 3.5 mm (1/8") monoral plug (See the illust below)	Audio generator (AG)	Frequency range : 300–3000 Hz Output level : 1–500 mV
RF voltmeter (50 Ω terminated)	Measuring range : 20–200 mV Frequency range : 0.1–50 MHz	AC Millivoltmeter	Measuring range : 10 mV to 10 V
RF power meter (50 Ω terminated)	Measuring range : 5–120 W Frequency range : 0.1–50 MHz SWR : Less than 1.2 : 1	Digital multimeter	Measuring range : 0–10 V (Voltage) 1–30 A (Current) Input impedance : More than 50 kΩ
Frequency counter	Frequency range : 0.1–100 MHz Frequency accuracy : ±1 ppm or better Input level : Less than 1 mW	External speaker	Input impedance : 8 Ω Capacity : More than 2 W
Standard signal generator (SSG)	Frequency range : 0.1–100 MHz Output level : 0.1 mV to 32 mV (–127 to –17 dBm)	Spectrum Analyzer	Frequency range : At least 90 MHz Bandwidth : 100 kHz
		Dummy Loads	Impedance : 50 Ω and 100 Ω/120 W

CAUTION!: SAVE the originally programmed contents (Memory channel contents, set mode settings, etc.), before starting adjustment. When all adjustments are completed, these contents in the transceiver may be cleared.

GENERAL CONNECTION AND UNIT LOCATION

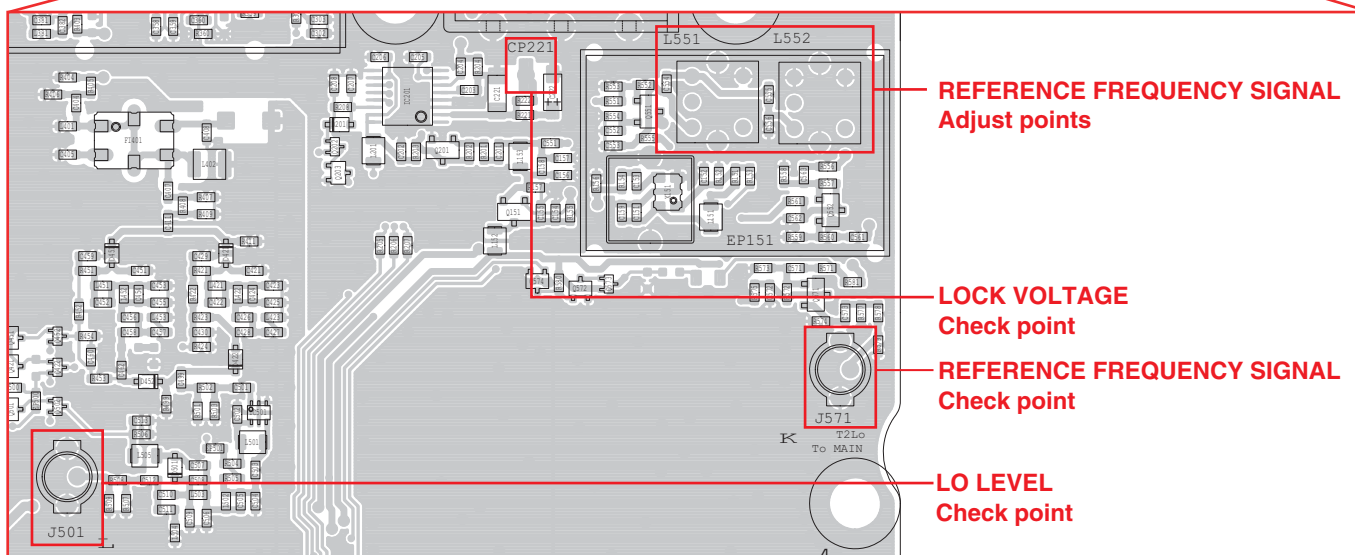
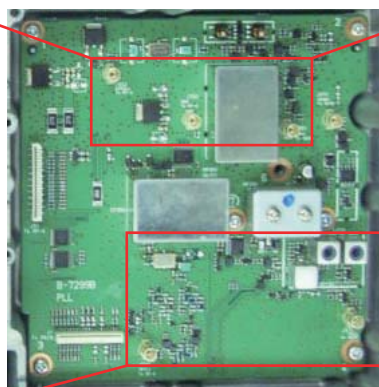
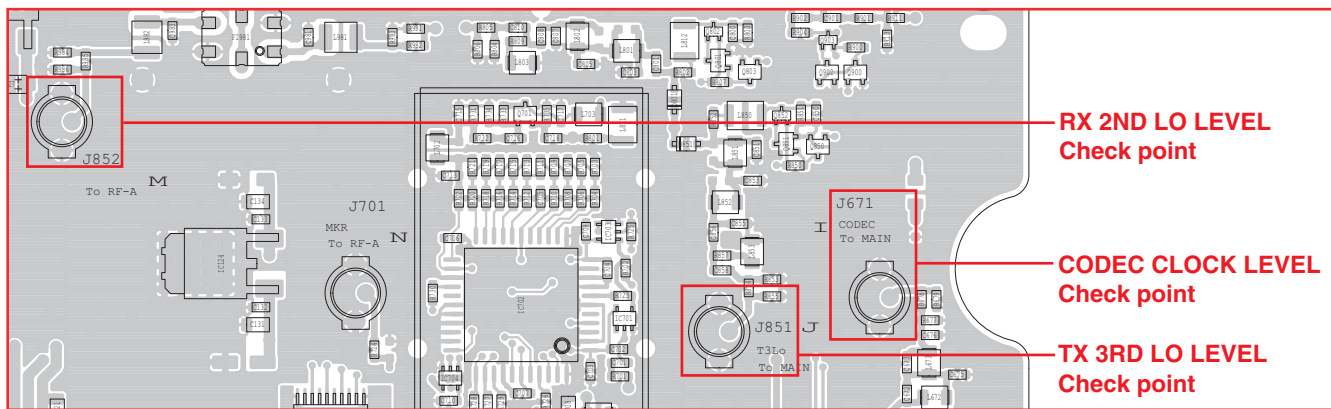


4-2 ADJUSTMENTS ON THE PLL UNIT

ADJUSTMENT ITEM	TRANSCEIVER'S CONDITION	OPERATION	MEASURE POINT	ADJUST POINT	VALUE
REFERENCE FREQUENCY SIGNAL	1 • Frequency: 14.10000 MHz • Mode: USB • Transmitting	• Connect a frequency counter to J571.	J571	(Verify)	64.000000 MHz (±300 Hz)
	2 • Frequency: 14.10000 MHz • Mode: USB • Receiving	• Connect an RF voltmeter to J571.	J571	L551, L552 (Repeatedly)	Max. voltage
	3			–	–10 dBm (±3 dB) (Verify)
LOCK VOLTAGE	• Frequency: 14.10000 MHz • Receiving	• Connect a voltmeter to CP221.	CP221	(Verify)	1.0–4.0 V
1ST LO LEVEL	1 • Frequency: 0.1 MHz* 1.8 MHz** • Receiving	• Connect an RF voltmeter to J501.	J501	(Verify)	+4 dBm (±3 dB)
	2 • Frequency: 4.0 MHz* 3.5625 MHz** • Receiving				
	3 • Frequency: 7.9 MHz* 7.1 MHz** • Receiving				
	4 • Frequency: 8.0 MHz* 10.1 MHz** • Receiving				
	5 • Frequency: 15.0 MHz* 14.35 MHz** • Receiving				
	6 • Frequency: 21.9 MHz* 21.45 MHz** • Receiving				
	7 • Frequency: 22.0 MHz* 24.89 MHz** • Receiving				
	8 • Frequency: 50.0 MHz • Receiving				
	9† • Frequency: 54.0 MHz • Receiving				
RX 2ND LO LEVEL	• Receiving	• Connect an RF voltmeter to the J852.	J852	(Verify)	–10 dBm (±3 dB)
TX 3RD LO LEVEL	• Transmitting	• Connect an RF voltmeter to the J851.	J851	(Verify)	
CODEC CLOCK LEVEL	• Receiving	• Connect an RF voltmeter to the J601.	J671	(Verify)	–12 dBm (±3 dB)

*: For all models except [TPE] and [KOR]. **: For [TPE] and [KOR]. †: Except [TPE].

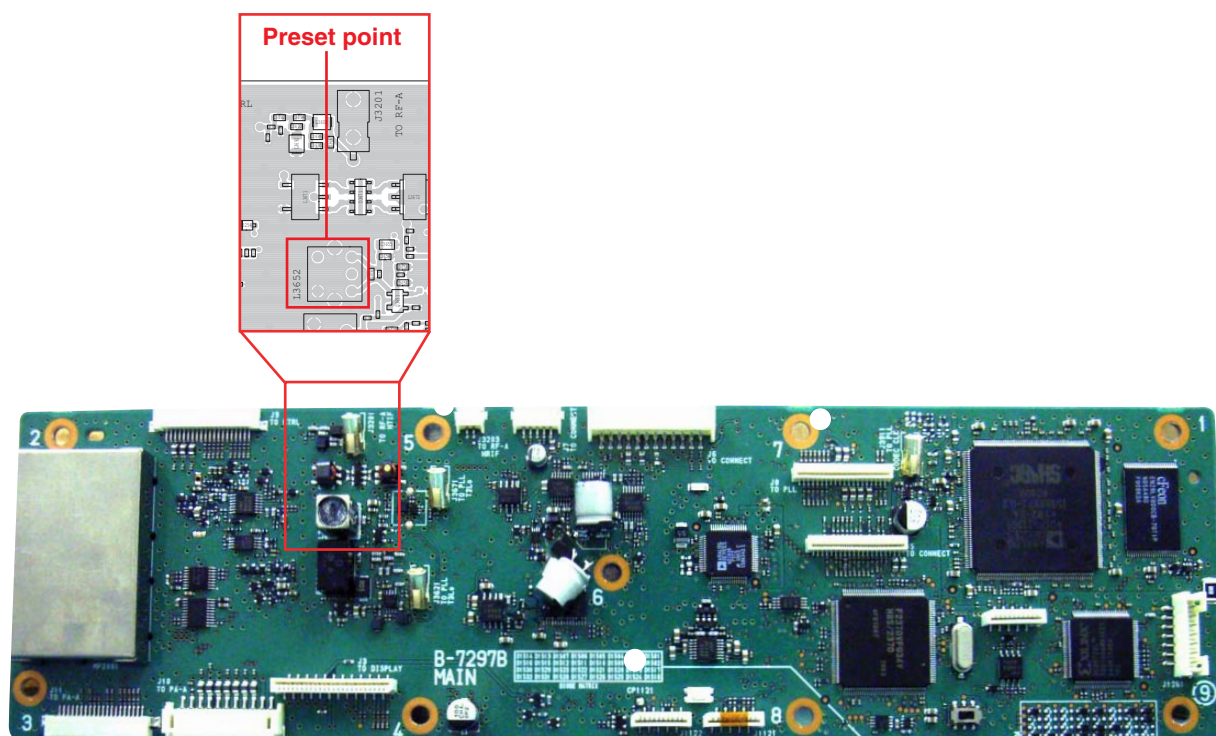
• THE LOCATION OF ADJUST/CHECK POINTS ON THE PLL UNIT



4-3 ADJUSTMENTS ON THE MAIN UNIT

ADJUSTMENT ITEM	TRANSCIVER'S CONDITION	OPERATION	MEASURE POINT	ADJUST POINT	VALUE
PRESET	• Receiving	—	—	L3652	Screw the core all the way inside the coil.

• THE LOCATION OF ADJUST/CHECK POINTS ON THE MAIN UNIT

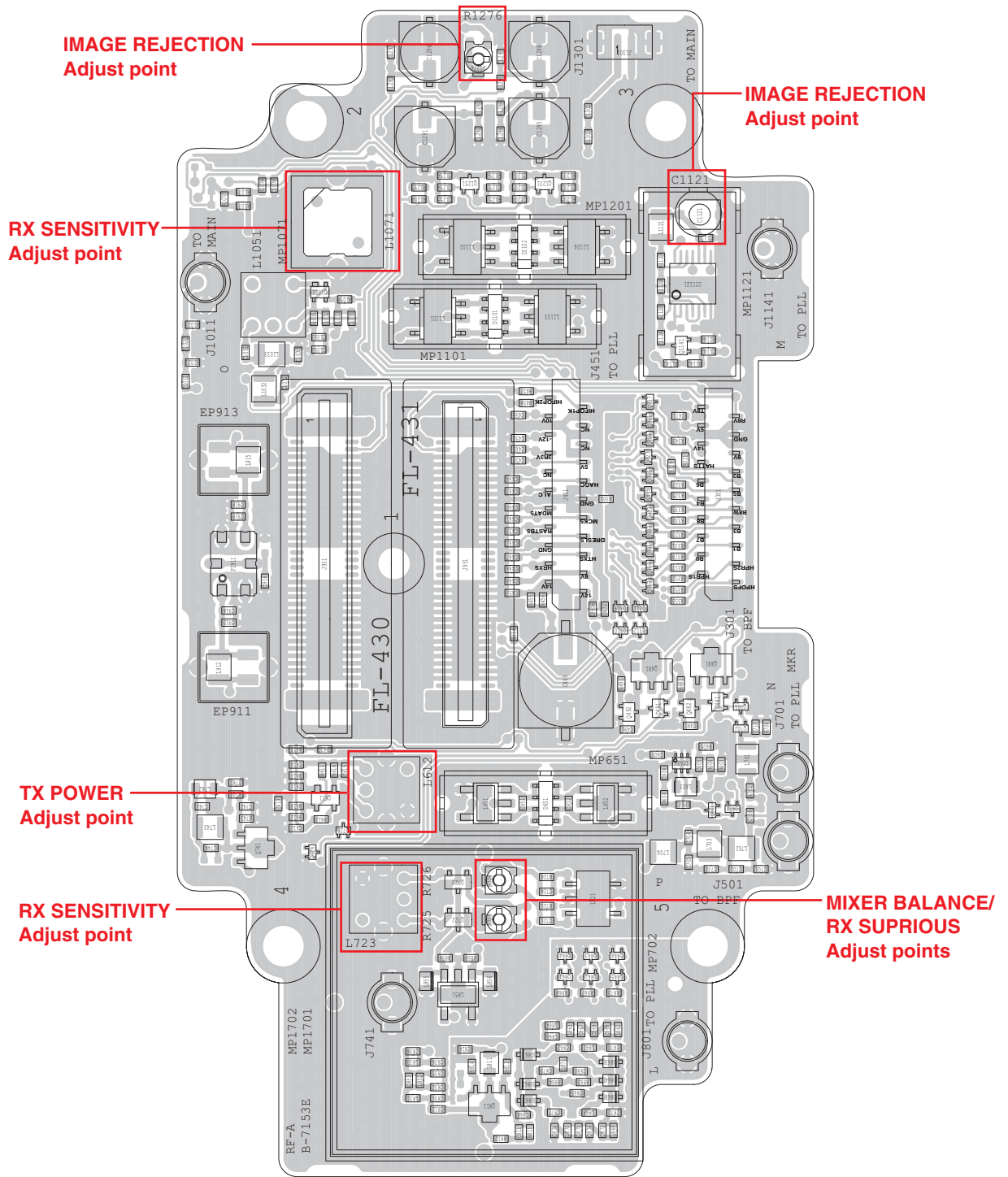


4-4 ADJUSTMENTS ON THE RF-A UNIT

ADJUSTMENT ITEM	TRANSCIVER'S CONDITION	OPERATION	MEASURE POINT	ADJUST POINT	VALUE
TX ADJUSTMENT (TX power)	• Frequency: 14.010 MHz • Mode: USB • Transmitting	1) Connect an RF power meter to [ANT1]. 2) Connect an audio generator and millivoltmeter to [MIC], and then set it as; Frequency : 1.5 kHz Level : 1 mV	[ANT1]	L612	Max. TX power
RX ADJUSTMENT (Sensitivity)	• Frequency: 14.150 MHz • Mode: USB • Receiving	1) Connect an SSG to [ANT1], and then set it as; Frequency : 14.1515 MHz Level : -10 dBμ (-117 dBm) Modulation: None 2) Connect a millivoltmeter and a speaker to [EXT-SP].	[EXT-SP]	L723, L1071	Max. voltage
MIXER BALANCE	• Frequency: 14.150 MHz • Mode: USB • Receiving	1) Connect a terminator to [ANT1]. 2) Connect a spectrum analyzer to the J741.	J741	R725, R726	Min. level
RX SUPRIIOUS*	• Frequency: 3.621565 MHz • Mode: USB • [PREAMP]: OFF • Receiving	• Connect a millivoltmeter to [EXT-SP].	[EXT-SP]		Min. AF output level
IMAGE REJECTION	• Frequency: 14.150 MHz • Mode: USB • Receiving	1) Connect an SSG to [ANT1], and then set it as; Frequency : 14.0765 MHz Level : +50 dBμ (-57 dBm) Modulation: None 2) Connect a millivoltmeter and a speaker to [EXT-SP].	[EXT-SP]	R1276, C1121 (Repeatedly)	Min. AF output level

*: For all models except [TPE] and [KOR].

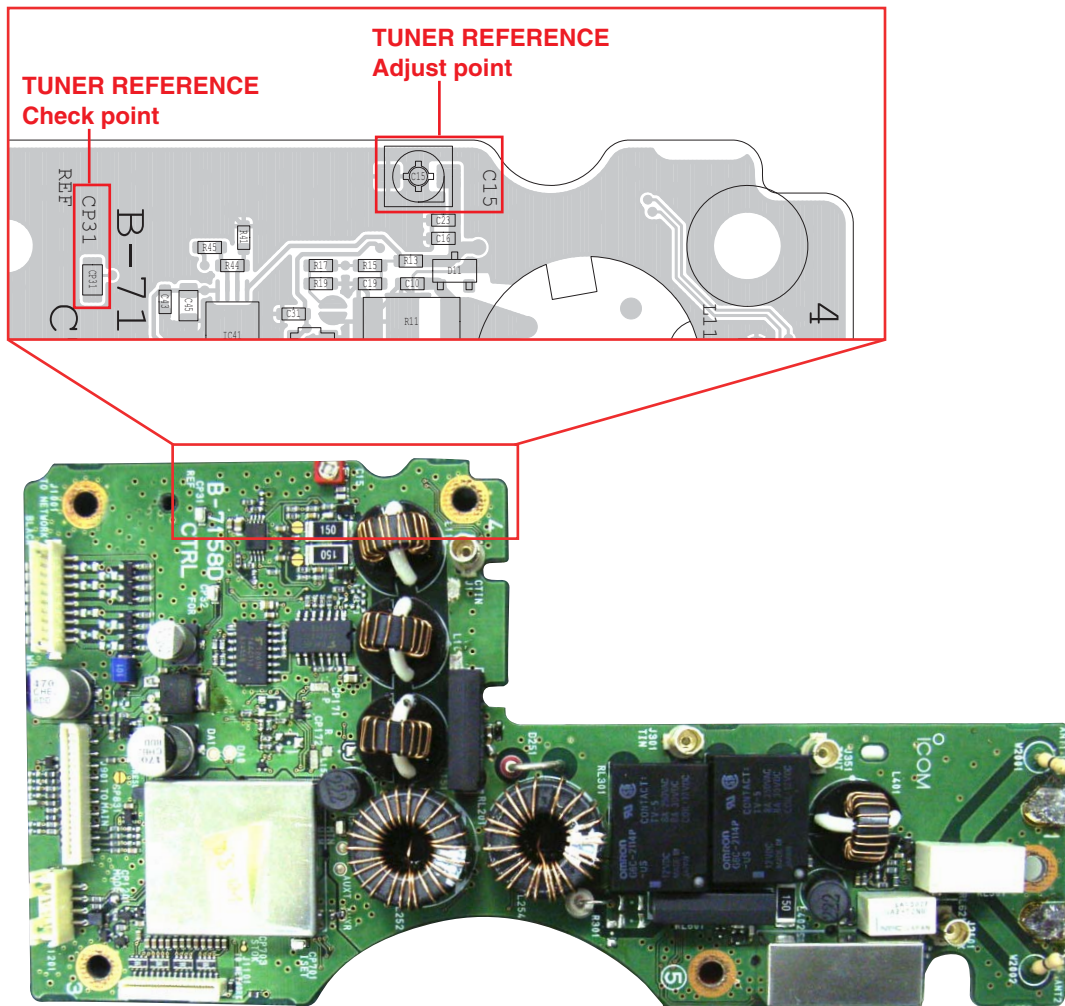
• THE LOCATION OF ADJUST/CHECK POINTS ON THE RF-A UNIT



4-5 ADJUSTMENTS ON THE CTRL UNIT

ADJUSTMENT ITEM	TRANSCIVER'S CONDITION	OPERATION	MEASURE POINT	ADJUST POINT	VALUE	
TUNER REFERENCE	1	<ul style="list-style-type: none"> Frequency: 3.55 MHz [TUNER]: Through 	<ul style="list-style-type: none"> Connect a 50 ohms dummy load to [ANT1]. 	CP31	C15	Min. voltage
	2	<ul style="list-style-type: none"> TX power: Max. Transmitting 	<ol style="list-style-type: none"> Turn OFF the power. Connect the short plug (Page 4-1) to [REMOTE]. Hold down [MENU] and [FILTER], and then turn ON the power. Push [F-5] (STR). 	—	—	Verify the message " *** OK *** " is displayed.
	3	Turn OFF the power.				

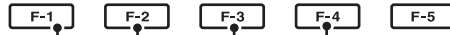
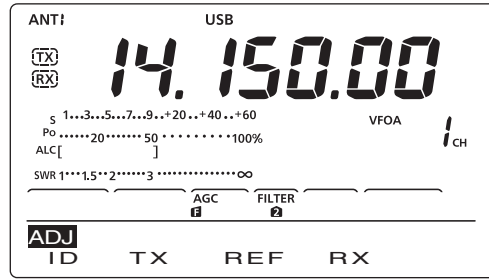
• THE LOCATION OF ADJUST/CHECK POINTS ON THE CTRL UNIT



4-6 ADJUSTMENTS ON THE FUNCTION DISPLAY

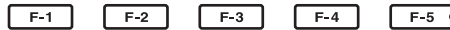
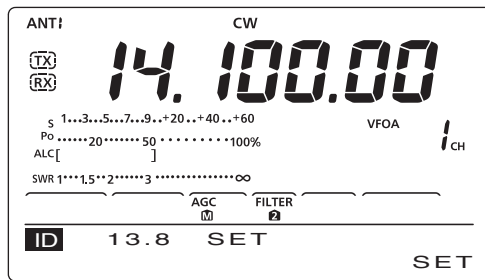
- 1) Connect the short plug (Page 4-1) to [REMOTE], and while holding down [MENU] and [SSB], turn ON the power.
- 2) The main adjustment menu appears.

MAIN ADJUSTMENT MENU



- Select the ID adjustment (See below) — F-1
- Select the transmit adjustment (Page 4-8) — F-2
- Select the reference frequency/APC reference adjustment (Page 4-9) — F-3
- Select the receive adjustment (Page 4-10) — F-4

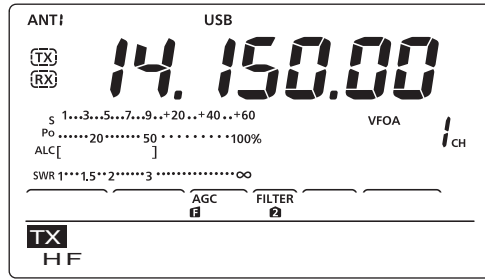
ID ADJUSTMENTS



- Stores the value and move to the next item. — F-5
- Returns to the previous screen. — MENU

ADJUSTMENT ITEM	TRANSCIVER'S CONDITION	OPERATION	MEASURE POINT	ADJUST POINT	VALUE																									
LOADING REFERENCE VOLTAGE	<ul style="list-style-type: none"> • Display: "13.8 SET" • Receiving 	<ul style="list-style-type: none"> • Set the power supply voltage to 13.8 V. 	—	—	Push [F-5]. (A beep sounds, and then another beeps sound 0.5 sec. later)																									
SETTING ID REFERENCE LEVEL	<table border="0"> <tr> <td>1</td> <td> <ul style="list-style-type: none"> • Display: "ID HF+1.0A" • Transmitting </td> <td rowspan="2"> <ul style="list-style-type: none"> • Connect a dummy load to [ANT1]. </td> <td rowspan="2">—</td> <td rowspan="2">—</td> <td rowspan="2"> Push [F-5]. </td> </tr> <tr> <td>2</td> <td> <ul style="list-style-type: none"> • Display: "IPD HF+1.0A" • Transmitting </td> </tr> </table>	1	<ul style="list-style-type: none"> • Display: "ID HF+1.0A" • Transmitting 	<ul style="list-style-type: none"> • Connect a dummy load to [ANT1]. 	—	—	Push [F-5].	2	<ul style="list-style-type: none"> • Display: "IPD HF+1.0A" • Transmitting 																					
1	<ul style="list-style-type: none"> • Display: "ID HF+1.0A" • Transmitting 	<ul style="list-style-type: none"> • Connect a dummy load to [ANT1]. 	—					—	Push [F-5].																					
2	<ul style="list-style-type: none"> • Display: "IPD HF+1.0A" • Transmitting 																													
ID ADJUSTMENT	<table border="0"> <tr> <td>1</td> <td> <ul style="list-style-type: none"> • Display: "ID SET HF" • Transmitting </td> <td rowspan="6"> 1) Connect a dummy load to [ANT1]. 2) Connect an ammeter to the power supply line. </td> <td rowspan="6">Power supply line</td> <td>—</td> <td> Push [F-5]. (Meaure the current and note it as the reference.) </td> </tr> <tr> <td>2</td> <td> <ul style="list-style-type: none"> • Display: "HFID1V" • Transmitting </td> <td>[MAIN DIAL]</td> <td> 1.0 A more than the reference. Push [F-5]. </td> </tr> <tr> <td>3</td> <td> <ul style="list-style-type: none"> • Display: "HFID2V" • Transmitting </td> <td>—</td> <td> Push [F-5]. (A beep sounds, and then another beeps sound 3 sec. later) </td> </tr> <tr> <td>4</td> <td> <ul style="list-style-type: none"> • Display: "HDID1V" • Transmitting </td> <td>[MAIN DIAL]</td> <td> 1.0 A more than "Step3." Push [F-5]. </td> </tr> <tr> <td>5</td> <td> <ul style="list-style-type: none"> • Display: "HDID2V" • Transmitting </td> <td>—</td> <td> Push [F-5]. (A beep sounds, and then another beeps sound 3 sec. later) </td> </tr> <tr> <td>6</td> <td> <ul style="list-style-type: none"> • Display: "HPID1V" • Transmitting </td> <td>—</td> <td> Push [F-5]. (A beep sounds, and then another beeps sound 3 sec. later) </td> </tr> </table>	1	<ul style="list-style-type: none"> • Display: "ID SET HF" • Transmitting 	1) Connect a dummy load to [ANT1]. 2) Connect an ammeter to the power supply line.	Power supply line	—	Push [F-5]. (Meaure the current and note it as the reference.)	2	<ul style="list-style-type: none"> • Display: "HFID1V" • Transmitting 	[MAIN DIAL]	1.0 A more than the reference. Push [F-5].	3	<ul style="list-style-type: none"> • Display: "HFID2V" • Transmitting 	—	Push [F-5]. (A beep sounds, and then another beeps sound 3 sec. later)	4	<ul style="list-style-type: none"> • Display: "HDID1V" • Transmitting 	[MAIN DIAL]	1.0 A more than "Step3." Push [F-5].	5	<ul style="list-style-type: none"> • Display: "HDID2V" • Transmitting 	—	Push [F-5]. (A beep sounds, and then another beeps sound 3 sec. later)	6	<ul style="list-style-type: none"> • Display: "HPID1V" • Transmitting 	—	Push [F-5]. (A beep sounds, and then another beeps sound 3 sec. later)			
1	<ul style="list-style-type: none"> • Display: "ID SET HF" • Transmitting 	1) Connect a dummy load to [ANT1]. 2) Connect an ammeter to the power supply line.	Power supply line			—	Push [F-5]. (Meaure the current and note it as the reference.)																							
2	<ul style="list-style-type: none"> • Display: "HFID1V" • Transmitting 					[MAIN DIAL]	1.0 A more than the reference. Push [F-5].																							
3	<ul style="list-style-type: none"> • Display: "HFID2V" • Transmitting 					—	Push [F-5]. (A beep sounds, and then another beeps sound 3 sec. later)																							
4	<ul style="list-style-type: none"> • Display: "HDID1V" • Transmitting 					[MAIN DIAL]	1.0 A more than "Step3." Push [F-5].																							
5	<ul style="list-style-type: none"> • Display: "HDID2V" • Transmitting 					—	Push [F-5]. (A beep sounds, and then another beeps sound 3 sec. later)																							
6	<ul style="list-style-type: none"> • Display: "HPID1V" • Transmitting 			—	Push [F-5]. (A beep sounds, and then another beeps sound 3 sec. later)																									
Automatically returns to the main adjustment menu.																														

■ TRANSMIT ADJUSTMENTS



F-1 F-2 F-3 F-4 F-5 — Stores the value and move to the next item.

Returns to the previous screen. — MENU

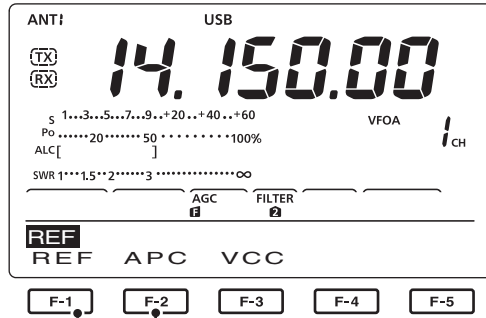
Starts the transmit adjustment. —

ADJUSTMENT ITEM	TRANSCIVER'S CONDITION	OPERATION	MEASURE POINT	ADJUST POINT	VALUE	
PREPARATION	—	<ul style="list-style-type: none"> Connect an AG and millivoltmeter to [MIC], and then set it as; Frequency : 1.5 kHz Level : 1 mV Connect a power meter to [ANT1]. Connect a 25 ohm dummy load to [ANT2]. 	—	—	—	
TX TOTAL GAIN	1	<ul style="list-style-type: none"> Display: "Total Gain HF" Receiving 	—	[MAIN DIAL]	50 W Push [F-5].	
TX POWER & POWER METER SETTING	2	<ul style="list-style-type: none"> Display: "POWER HF" Receiving 	—	—	Push [F-5].	
	3	<ul style="list-style-type: none"> Display: "POWER HF Min" Transmitting 	—	[ANT1]	1.5 W Push [F-5].	
	4	<ul style="list-style-type: none"> Display: "POWER HF 10%" Transmitting 	—	[MAIN DIAL]	10 W Push [F-5].	
	5	<ul style="list-style-type: none"> Display: "POWER HF Tuner" Transmitting 	—	[MAIN DIAL]	10 W Push [F-5].	
	6	<ul style="list-style-type: none"> Display: "POWER HF 50%" Transmitting 	—	[MAIN DIAL]	50 W Push [F-5].	
	7	<ul style="list-style-type: none"> Display: "POWER HF 75%" Transmitting 	—	[MAIN DIAL]	80 W Push [F-5].	
	8	<ul style="list-style-type: none"> Display: "POWER HF 100%" Transmitting 	—	[MAIN DIAL]	105 W Push [F-5].	
	9	<ul style="list-style-type: none"> Display: "POWER 50M" Receiving 	<ul style="list-style-type: none"> Push [F-5]. (Automatically starts to transmit.) 	—	—	Push [F-5].
	10	<ul style="list-style-type: none"> Display: "POWER 50M Min" Transmitting 	—	[ANT1]	1.5 W Push [F-5].	
	11	<ul style="list-style-type: none"> Display: "POWER 50M 10%" Transmitting 	—	[MAIN DIAL]	10 W Push [F-5].	
	12	<ul style="list-style-type: none"> Display: "POWER 50M Tuner" Transmitting 	—	[MAIN DIAL]	10 W Push [F-5].	
	13	<ul style="list-style-type: none"> Display: "POWER 50M 50%" Transmitting 	—	[MAIN DIAL]	50 W Push [F-5].	
	14	<ul style="list-style-type: none"> Display: "POWER 50M 75%" Transmitting 	—	[MAIN DIAL]	80 W Push [F-5].	
	15	<ul style="list-style-type: none"> Display: "POWER 50M 100%" Transmitting 	—	[MAIN DIAL]	100 W Push [F-5].	
	POWER DOWN SETTING	16	<ul style="list-style-type: none"> Display: "POWER Down HF/50M" Transmitting 	—	[MAIN DIAL]	50 W Push [F-5].
AM CARRIER POWER RATIO	17	<ul style="list-style-type: none"> Display: "POWER AM Ratio HF" Transmitting 	—	[MAIN DIAL]	27 W Push [F-5].	
ID APC	18	<ul style="list-style-type: none"> Display: "ID-APC" Receiving 	1) Connect an ammeter to the power supply line. 2) Push [F-5]. (Automatically starts to transmit.)	Power supply line	[MAIN DIAL] 23.5–24.0 A Push [F-5].	
ALC METER	19	<ul style="list-style-type: none"> Display: "ALC HF/50M" Transmitting 	<ul style="list-style-type: none"> Set the AG as; Frequency : 1.5 kHz Level : 10 mV 	—	— Push [F-5].	
DRIVE GAIN	20	<ul style="list-style-type: none"> Display: "DRIVE HF/50M" Transmitting 	—	—	Push [F-5].	
SWR METER	21	<ul style="list-style-type: none"> Display: "SWR HF/50M" Transmitting 	—	—	Push [F-5].	

Automatically returns to the transmit adjustment menu.

REFERENCE ADJUSTMENTS

Reference adjustment menu.

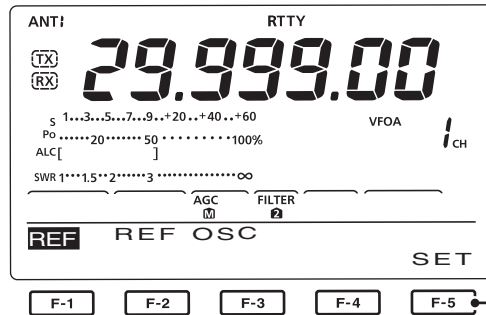


Returns to the previous screen. — **MENU**

Select the reference frequency adjustment. —

Select the APC reference adjustment. —

REFERENCE FREQUENCY ADJUSTMENT

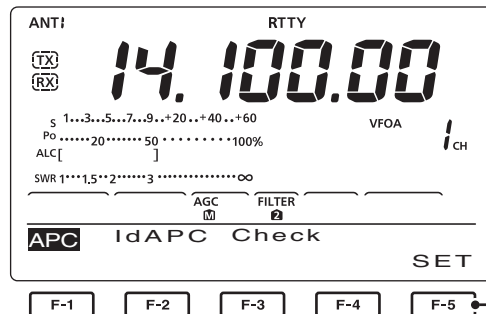


Returns to the previous screen. — **MENU**

Stores the value and move to the next item. —

ADJUSTMENT ITEM	TRANSCIVER'S CONDITION	OPERATION	MEASURE POINT	ADJUST POINT	VALUE
REFERENCE FREQUENCY	1	—	—	—	—
	2	<ul style="list-style-type: none"> Display: "REF OSC" Transmitting 	<ul style="list-style-type: none"> Push [F-5]. (Automatically starts to transmit.) 	[ANT1]	[MAIN DIAL]
Automatically returns to the reference adjustment menu. Push [MENU] to return to the main adjustment menu (Page 4-6).					

APC REFERENCE ADJUSTMENT

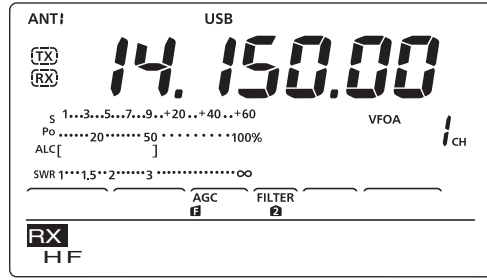


Returns to the previous screen. — **MENU**

Stores the value and move to the next item. —

ADJUSTMENT ITEM	TRANSCIVER'S CONDITION	OPERATION	MEASURE POINT	ADJUST POINT	VALUE
ID APC VERIFICATION	<ul style="list-style-type: none"> Display: "IdAPC Check" Transmitting 	<ul style="list-style-type: none"> Push [F-5]. (Automatically starts to transmit.) 	—	—	Push [F-5]. (Beeps sound 1 sec. later)
Automatically returns to the reference adjustment menu. Push [MENU] to return to the main adjustment menu (Page 4-6).					

RECEIVE ADJUSTMENTS



F-1 — Returns to the previous screen.
 F-2 — Starts the receive adjustment.
 F-3
F-4
F-5 — Stores the value and move to the next item

ADJUSTMENT ITEM	TRANSCEIVER'S CONDITION	OPERATION	MEASURE POINT	ADJUST POINT	VALUE	
PREPARATION	—	<ul style="list-style-type: none"> Connect an SSG to [ANT1], and then set it as; Frequency : 14.1515 MHz Modulation : None Level : +20 dBu (−87 dBm) 	—	—	—	
TOTAL GAIN ADJUSTMENT	1	<ul style="list-style-type: none"> Display: "Total Gain HF POFF" Receiving 	—	—	Push [F-5]. (Beeps sound 12 sec. later)	
	2	<ul style="list-style-type: none"> Display: "Total Gain HF PON" Receiving 	—	—	Push [F-5]. (Beeps sound 12 sec. later)	
EXTERNAL AGC	3	<ul style="list-style-type: none"> Display: "AGC (HF)" Receiving 	—	—	Push [F-5]. (Beeps sound 22 sec. later)	
S-METER	NOTE: DO NOT change the output level of the SSG until the beep sounds.					
	4	<ul style="list-style-type: none"> Display: "S0 Level HF" Receiving 	<ul style="list-style-type: none"> Set the SSG as; Level : OFF 	—	—	Push [F-5]. (Beep sounds, and then another beep sounds 0.5 sec. later)
	5	<ul style="list-style-type: none"> Display: "S9 Level HF" Receiving 	<ul style="list-style-type: none"> Set the SSG as; Level : +34 dBu (−73 dBm) 	—	—	Push [F-5]. (Beep sounds, and then another beep sounds 1 sec. later)
	6	<ul style="list-style-type: none"> Display: "S9+60 Level HF" Receiving 	<ul style="list-style-type: none"> Set the SSG as; Level : +90 dBu (−17 dBm) 	—	—	
Automatically returns to the receive adjustment menu.						

SECTION 5

PARTS LIST

[MAIN UNIT]

REF NO.	PARTS NO.	DESCRIPTION	M.	H/V LOCATION
IC1001	1130010111	S.IC TC7WH04FU(TE12LF)	T	194.5/6.0
IC1041	1130012600	S.IC SN74AHC1G04DCKR	T	177.8/26.8
IC1081	1130014800	S.IC R1EX24064ATA00A	T	174.7/31.8
IC1101	1110005731	S.IC S-80928CNMC-G8Y-G	T	137.2/6.0
IC1161	1130010160	S.IC TC74HC4052AF(ELF)	B	223.1/20.0
IC1163	1110000960	S.IC NJM4558M-TE1-#FMZB	T	223.1/17.5
IC1201	1140015780	S.IC HD64F2370VFQ34V(SX-3182A)	T	195.2/23.3
IC1261	1140015700	S.IC XC9572XL-10TQG100C (SX-3183D)	T	243.5/21.6
IC2001	1180003100	S.REG BD9302FP-E2	T	21.5/44.3
IC2101	1180003560	S.REG BA33BC0FP-E2	B	111.7/9.0
IC3201	1130011760	S.IC CD4094BPWR	T	43.3/37.3
IC3204	1130012000	S.IC M62352AGP C60Q	T	43.3/29.7
IC3251	1110004050	S.IC NJM3404AV-TE1-#FMZB	T	53.5/45.1
IC3271	1110005140	S.IC NJM3403AV-TE1-#ZZZB	T	53.5/53.9
IC3401	1110006300	S.IC NJM2172V-TE1-#ZZZB	T	124.3/56.9
IC3421	1140013200	S.IC CD4053BPWR	T	131.5/56.9
IC3452	1110005610	S.IC NJM2058V-TE1-#ZZZB	T	140.1/53.8
IC3523	1110005100	S.IC NJM072BM-TE1-#ZZZB	B	104.9/50.2
IC3532	1110005450	S.IC TS522IDT	T	113.4/58.0
IC3601	1110005450	S.IC TS522IDT	B	84.4/38.9
IC3621	1110005461	S.IC TA4107F(TE12LF)	T	86.8/32.2
IC3675	1110006870	S.IC UPC2709TB-E3	T	91.7/52.4
IC3913	1130014260	S.IC SN74LVC2G04DCKR	T	201.0/55.8
IC3951	1130013010	S.IC SN74AHC1G08DCK3	T	263.5/39.2
IC3952	1110007480	S.IC S-80811CNMB-B9PT2G	T	260.5/39.2
IC3955	1130012600	S.IC SN74AHC1G04DCKR	T	206.7/54.3
IC4001	1140015160	S.IC ADSP-21369KSWZ-2A <FE>	T	229.0/52.3
IC4202	1110015672	S.IC EN29LV800CB-70TIP (SX-3183E-2)	T	255.8/52.4
IC4401	1110005450	S.IC TS522IDT	B	155.3/22.3
IC4402	1110005450	S.IC TS522IDT	B	150.8/34.4
IC4403	1110005610	S.IC NJM2058V-TE1-#ZZZB	T	156.3/21.7
IC4461	1130015070	S.IC AD1939YSTZ <FE>	T	161.3/42.5
IC4482	1110000960	S.IC NJM4558M-TE1-#FMZB	B	147.8/49.4
IC4483	1110005450	S.IC TS522IDT	B	157.1/60.0
IC4601	1110000960	S.IC NJM4558M-TE1-#FMZB	T	109.4/30.2
IC4602	1110005450	S.IC TS522IDT	B	120.6/51.2
IC4603	1110005450	S.IC TS522IDT	B	122.0/39.8
IC4604	1130013110	S.IC KIC7W53FK-RTK/P	T	114.7/48.8
IC4651	1190002650	S.IC AK4620BVP-E2/P	T	125.2/31.4
IC4661	1110005450	S.IC TS522IDT	B	107.1/35.0
IC6101	1130009691	S.IC TC74HCT7007AF(F) S	B	188.8/65.7
IC6102	1130009691	S.IC TC74HCT7007AF(F) S	B	171.4/19.2
IC6103	1130009691	S.IC TC74HCT7007AF(F) S	B	173.1/57.7
Q1001	1590004390	S.TRA DMG504010R	T	200.1/5.8
Q1021	1590003680	S.TRA KRC402 RTK/P	B	193.1/12.5
Q2101	1590003680	S.TRA KRC402 RTK/P	T	122.9/5.9
Q2102	1550000160	S.FET CPH3313-TL-E	B	122.9/10.2
Q2111	1590003680	S.TRA KRC402 RTK/P	T	117.5/7.6
Q2112	1550000160	S.FET CPH3313-TL-E	T	119.3/10.6
Q3271	1530003960	S.TRA KTC2875-B-RTK/P	T	49.9/62.0
Q3272	1590003770	S.TRA KRA302E-RTK/P	T	53.3/61.8
Q3275	1560001260	S.FET 2SK3018 T106	T	41.5/55.1
Q3276	1530003900	S.TRA KTC4075 BL-RTK/P	T	38.8/55.1
Q3301	1590003770	S.TRA KRA302E-RTK/P	T	60.2/32.3
Q3302	1590003680	S.TRA KRC402 RTK/P	T	57.3/32.8
Q3303	1510000771	S.TRA 2SA1586-GR(TE85LF)	T	61.0/39.1
Q3305	1590003680	S.TRA KRC402 RTK/P	T	56.1/35.5
Q3306	1530003960	S.TRA KTC2875-B-RTK/P	T	59.1/35.9
Q3631	1580000820	S.FET 3SK264-5-TG-E	T	75.6/30.4
Q3651	1580000820	S.FET 3SK264-5-TG-E	T	83.9/46.4
Q3801	1530003900	S.TRA KTC4075 BL-RTK/P	B	93.4/46.5
Q3802	1530003900	S.TRA KTC4075 BL-RTK/P	B	93.7/52.3
Q4601	1590003680	S.TRA KRC402 RTK/P	T	117.3/51.0
D1001	1750001320	S.DIO KDS4148U RTK/P	B	205.0/6.7
D1021	1750001180	S.DIO KDS122 RTK/P	B	189.8/7.8
D1022	1750001180	S.DIO KDS122 RTK/P	B	196.5/5.2
D1121	1750001320	S.DIO KDS4148U RTK/P	B	153.5/8.8
D1173	1790001241	S.DIO MA2S7280GL	B	226.3/11.9
D1174	1750001320	S.DIO KDS4148U RTK/P	T	219.1/13.1
D1175	1750001320	S.DIO KDS4148U RTK/P	T	222.9/24.1
D1203	1750001180	S.DIO KDS122 RTK/P	B	205.3/38.5
D1204	1750001180	S.DIO KDS122 RTK/P	B	201.7/38.3
D1281	1750001320	S.DIO KDS4148U RTK/P	T	181.9/30.6
D1282	1750001180	S.DIO KDS122 RTK/P	B	190.6/12.5
D1332	1750001180	S.DIO KDS122 RTK/P	B	199.9/4.1
D1334	1750001180	S.DIO KDS122 RTK/P	B	205.6/10.1
D1501	1750001320	S.DIO KDS4148U RTK/P	T	253.5/8.1
D1502	1750001320	S.DIO KDS4148U RTK/P [USA]	T	253.5/6.4
	1750001320	S.DIO KDS4148U RTK/P [EUR]		
	1750001320	S.DIO KDS4148U RTK/P [EUR-01]		
	1750001320	S.DIO KDS4148U RTK/P [ITR]		
	1750001320	S.DIO KDS4148U RTK/P [ESP]		
	1750001320	S.DIO KDS4148U RTK/P [TPE]		
	1750001320	S.DIO KDS4148U RTK/P [KOR]		

[MAIN UNIT]

REF NO.	PARTS NO.	DESCRIPTION	M.	H/V LOCATION
D1503	1750001320	S.DIO KDS4148U RTK/P [USA]	T	249.9/8.1
	1750001320	S.DIO KDS4148U RTK/P [EUR]		
	1750001320	S.DIO KDS4148U RTK/P [EUR-01]		
	1750001320	S.DIO KDS4148U RTK/P [ITR]		
	1750001320	S.DIO KDS4148U RTK/P [ESP]		
	1750001320	S.DIO KDS4148U RTK/P [TPE]		
	1750001320	S.DIO KDS4148U RTK/P [KOR]		
	1750001320	S.DIO KDS4148U RTK/P [CHN]		
	1750001320	S.DIO KDS4148U RTK/P [EXP]		
D1504	1750001320	S.DIO KDS4148U RTK/P [EUR-01]	T	246.3/8.1
	1750001320	S.DIO KDS4148U RTK/P [ESP]		
	1750001320	S.DIO KDS4148U RTK/P [TPE]		
	1750001320	S.DIO KDS4148U RTK/P [KOR]		
	1750001320	S.DIO KDS4148U RTK/P [CHN]		
	1750001320	S.DIO KDS4148U RTK/P [FRA]		
	1750001320	S.DIO KDS4148U RTK/P [EXP]		
D1505	1750001320	S.DIO KDS4148U RTK/P [USA]	T	242.7/8.1
	1750001320	S.DIO KDS4148U RTK/P [EUR]		
	1750001320	S.DIO KDS4148U RTK/P [EUR-01]		
	1750001320	S.DIO KDS4148U RTK/P [TPE]		
	1750001320	S.DIO KDS4148U RTK/P [CHN]		
D1506	1750001320	S.DIO KDS4148U RTK/P [USA]	T	239.1/8.1
	1750001320	S.DIO KDS4148U RTK/P [EUR]		
	1750001320	S.DIO KDS4148U RTK/P [EUR-01]		
	1750001320	S.DIO KDS4148U RTK/P [ITR]		
	1750001320	S.DIO KDS4148U RTK/P [ESP]		
	1750001320	S.DIO KDS4148U RTK/P [TPE]		
	1750001320	S.DIO KDS4148U RTK/P [KOR]		
D1507	1750001320	S.DIO KDS4148U RTK/P [EUR]	T	235.5/8.1
	1750001320	S.DIO KDS4148U RTK/P [EUR-01]		
	1750001320	S.DIO KDS4148U RTK/P [ITR]		
	1750001320	S.DIO KDS4148U RTK/P [ESP]		
	1750001320	S.DIO KDS4148U RTK/P [CHN]		
	1750001320	S.DIO KDS4148U RTK/P [EXP]		
D1508	1750001320	S.DIO KDS4148U RTK/P [EUR]	T	249.9/6.4
	1750001320	S.DIO KDS4148U RTK/P [EUR-01]		
	1750001320	S.DIO KDS4148U RTK/P [ITR]		
	1750001320	S.DIO KDS4148U RTK/P [ESP]		
	1750001320	S.DIO KDS4148U RTK/P [CHN]		
	1750001320	S.DIO KDS4148U RTK/P [EXP]		
D1513	1750001320	S.DIO KDS4148U RTK/P [EUR-01]	T	231.9/8.1
	1750001320	S.DIO KDS4148U RTK/P [ESP]		
	1750001320	S.DIO KDS4148U RTK/P [TPE]		
	1750001320	S.DIO KDS4148U RTK/P [KOR]		
	1750001320	S.DIO KDS4148U RTK/P [CHN]		
	1750001320	S.DIO KDS4148U RTK/P [FRA]		
	1750001320	S.DIO KDS4148U RTK/P [EXP]		
D1514	1750001320	S.DIO KDS4148U RTK/P [USA]	T	228.3/8.1
	1750001320	S.DIO KDS4148U RTK/P [EUR]		
	1750001320	S.DIO KDS4148U RTK/P [EUR-01]		
	1750001320	S.DIO KDS4148U RTK/P [TPE]		
	1750001320	S.DIO KDS4148U RTK/P [CHN]		
D1515	1750001320	S.DIO KDS4148U RTK/P [EUR]	T	231.9/6.4
	1750001320	S.DIO KDS4148U RTK/P [EUR-01]		
	1750001320	S.DIO KDS4148U RTK/P [ITR]		
	1750001320	S.DIO KDS4148U RTK/P [ESP]		
	1750001320	S.DIO KDS4148U RTK/P [TPE]		
	1750001320	S.DIO KDS4148U RTK/P [KOR]		
	1750001320	S.DIO KDS4148U RTK/P [CHN]		
D1516	1750001320	S.DIO KDS4148U RTK/P [FRA]	T	228.3/6.4
	1750001320	S.DIO KDS4148U RTK/P [EUR]		
	1750001320	S.DIO KDS4148U RTK/P [TPE]		
	1750001320	S.DIO KDS4148U RTK/P [CHN]		
D1517	1750001320	S.DIO KDS4148U RTK/P [FRA]	T	253.5/4.6
	1750001320	S.DIO KDS4148U RTK/P [EUR]		
	1750001320	S.DIO KDS4148U RTK/P [EUR-01]		
	1750001320	S.DIO KDS4148U RTK/P [ITR]		
	1750001320	S.DIO KDS4148U RTK/P [ESP]		
	1750001320	S.DIO KDS4148U RTK/P [TPE]		
D1520	1750001320	S.DIO KDS4148U RTK/P [KOR]	T	246.3/4.6
D1526	1750001320	S.DIO KDS4148U RTK/P	T	242.7/2.8
D1527	1750001320	S.DIO KDS4148U RTK/P	T	239.1/2.8
D1528	1750001320	S.DIO KDS4148U RTK/P	T	235.5/2.8
D1531	1750001320	S.DIO KDS4148U RTK/P	T	231.9/2.8
D1532	1750001320	S.DIO KDS4148U RTK/P	T	228.3/2.8
D2001	1750000960	S.DIO RB081L-20	T	20.0/35.8
D2002	1750000960	S.DIO RB081L-20	T	20.0/52.9
D3252	1750001320	S.DIO KDS4148U RTK/P	T	56.9/59.1
D3253	1750001320	S.DIO KDS4148U RTK/P	T	57.9/61.0
D3254	1750001320	S.DIO KDS4148U RTK/P	T	63.9/56.4
D3271	1750001320	S.DIO KDS4148U RTK/P	T	51.2/50.1
D3272	1790001241	S.DIO MA2S7280GL	T	44.2/49.5
D3274	1750001320	S.DIO KDS4148U RTK/P	T	48.8/59.0
D3275	1790001241	S.DIO MA2S7280GL	T	46.9/50.0
D3277	1750001320	S.DIO KDS4148U RTK/P	T	40.8/51.9
D3301	1750002170	S.DIO DB2S31400L	T	63.2/39.3
D3302	1750001320	S.DIO KDS4148U RTK/P	T	53.5/39.0
D3303	1750001320	S.DIO KDS4148U RTK/P	T	55.6/39.0
D3304	1790001331	S.ZEN MAZ8036GLL	T	57.6/39.0
D3431	1790001670	S.DIO RB706F-40T106	T	141.5/41.6

M.=Mounted side (T: Mounted on the Top side, B: Mounted on the Bottom side)
S.=Surface mount

[MAIN UNIT]

REF NO.	PARTS NO.	DESCRIPTION	M.	H/V LOCATION
D3531	1750001320	S.DIO KDS4148U RTK/P	B	107.5/54.1
D3532	1750001320	S.DIO KDS4148U RTK/P	B	107.5/56.1
D3533	1750001180	S.DIO KDS122 RTK/P	B	114.5/52.5
D3671	1750000431	S.DIO HS888WSTR-E	T	79.0/60.2
D3801	1750001180	S.DIO KDS122 RTK/P	B	97.2/45.1
D4401	1750001180	S.DIO KDS122 RTK/P	T	157.6/27.2
D4402	1750001180	S.DIO KDS122 RTK/P	T	155.1/27.2
D4403	1750001180	S.DIO KDS122 RTK/P	T	157.6/30.1
D4404	1750001180	S.DIO KDS122 RTK/P	T	155.1/30.1
D4601	1750001180	S.DIO KDS122 RTK/P	T	115.1/28.7
D4602	1730002840	S.ZEN DZ2J02400L	T	116.8/48.2
D4603	1730002840	S.ZEN DZ2J02400L	T	111.2/48.6
FI3641	2020001070	CER CFWLA455KDKFA-B0(CFWS455D)		
X1201	6050011810	S.XTA CR-755 SMD-49 15.9744 MHZ <KDS>	T	212.3/22.0
L2001	6200013280	S.COI SLF10145T-330M1R6-PF	T	10.7/32.45
L2002	6200013280	S.COI SLF10145T-330M1R6-PF	T	22.0/28.8
L2003	6200013280	S.COI SLF10145T-330M1R6-PF	T	10.7/54.4
L3401	6200002041	S.COI NLV25T-101J	B	120.4/60.4
L3411	6200003520	S.COI ELJFB 102K-F	T	113.8/42.8
L3621	6200002041	S.COI NLV25T-101J	T	89.6/28.4
L3622	6200002041	S.COI NLV25T-101J	B	87.1/30.2
L3623	6200002041	S.COI NLV25T-101J	T	83.9/27.1
L3631	6200002041	S.COI NLV25T-101J	B	78.8/35.9
L3632	6200003520	S.COI ELJFB 102K-F	T	80.6/35.0
L3651	6200002041	S.COI NLV25T-101J	B	80.3/44.1
L3652	6150005420	COI LS-554 7QM		
L3671	6140004680	S.COI LR-528 4KBL	T	71.7/60.2
L3672	6140002810	S.COI LR-317	T	86.2/60.2
L3675	6200001981	S.COI NLV25T-1R0J	T	89.1/52.9
L3692	6200002651	S.COI NLV25T-1R1J	T	70.6/67.2
L3693	6200002431	S.COI NLV25T-082J	T	73.9/70.1
L3912	6200002041	S.COI NLV25T-101J	B	205.8/54.0
R31	7030004990	S.RES ERJ2GEJ 221 X (220)	T	86.3/7.5
R32	7030004990	S.RES ERJ2GEJ 221 X (220)	T	85.3/7.5
R33	7030004990	S.RES ERJ2GEJ 221 X (220)	T	84.3/7.5
R34	7030004990	S.RES ERJ2GEJ 221 X (220)	T	83.3/7.5
R37	7030004990	S.RES ERJ2GEJ 221 X (220)	T	80.3/7.5
R38	7030004990	S.RES ERJ2GEJ 221 X (220)	T	81.3/7.5
R53	7030005530	S.RES ERJ2GEJ 100 X (10)	T	193.0/41.2
R54	7030010040	S.RES ERJ2GEJ-JPW	T	192.5/47.1
R56	7030004990	S.RES ERJ2GEJ 221 X (220)	T	194.5/47.1
R57	7030004990	S.RES ERJ2GEJ 221 X (220)	T	194.0/41.2
R59	7030004990	S.RES ERJ2GEJ 221 X (220)	T	192.0/41.2
R61	7030004990	S.RES ERJ2GEJ 221 X (220)	T	191.0/41.2
R62	7030004990	S.RES ERJ2GEJ 221 X (220)	T	190.5/47.1
R63	7030004990	S.RES ERJ2GEJ 221 X (220)	T	190.0/41.2
R64	7030004990	S.RES ERJ2GEJ 221 X (220)	T	189.5/47.1
R65	7030004990	S.RES ERJ2GEJ 221 X (220)	T	189.0/41.2
R66	7030004990	S.RES ERJ2GEJ 221 X (220)	T	188.5/47.1
R67	7030004990	S.RES ERJ2GEJ 221 X (220)	T	188.0/41.2
R68	7030004990	S.RES ERJ2GEJ 221 X (220)	T	187.5/47.1
R70	7030004990	S.RES ERJ2GEJ 221 X (220)	T	186.5/47.1
R71	7030004990	S.RES ERJ2GEJ 221 X (220)	T	185.9/41.2
R72	7030004990	S.RES ERJ2GEJ 221 X (220)	T	185.5/47.1
R73	7030004990	S.RES ERJ2GEJ 221 X (220)	T	185.0/41.2
R74	7030004990	S.RES ERJ2GEJ 221 X (220)	T	184.5/47.1
R77	7030004990	S.RES ERJ2GEJ 221 X (220)	T	183.0/41.2
R78	7030004990	S.RES ERJ2GEJ 221 X (220)	T	182.5/47.1
R141	7030004990	S.RES ERJ2GEJ 221 X (220)	T	177.6/62.7
R142	7030004990	S.RES ERJ2GEJ 221 X (220)	T	178.1/56.8
R143	7030004990	S.RES ERJ2GEJ 221 X (220)	T	178.6/62.7
R144	7030010040	S.RES ERJ2GEJ-JPW	T	179.1/56.8
R145	7030004990	S.RES ERJ2GEJ 221 X (220)	T	179.6/62.7
R146	7030004990	S.RES ERJ2GEJ 221 X (220)	T	180.1/56.8
R147	7030004990	S.RES ERJ2GEJ 221 X (220)	T	180.6/62.7
R148	7030004990	S.RES ERJ2GEJ 221 X (220)	T	181.1/56.8
R149	7030004990	S.RES ERJ2GEJ 221 X (220)	T	181.6/62.7
R150	7030004990	S.RES ERJ2GEJ 221 X (220)	T	182.1/56.8
R151	7030004990	S.RES ERJ2GEJ 221 X (220)	T	182.6/62.7
R152	7030004990	S.RES ERJ2GEJ 221 X (220)	T	183.1/56.8
R153	7030004990	S.RES ERJ2GEJ 221 X (220)	T	183.6/62.7
R154	7030004990	S.RES ERJ2GEJ 221 X (220)	T	194.1/56.8
R155	7030004990	S.RES ERJ2GEJ 221 X (220)	T	194.6/62.7
R156	7030004990	S.RES ERJ2GEJ 221 X (220)	T	195.1/56.8
R157	7030004990	S.RES ERJ2GEJ 221 X (220)	T	195.6/62.7
R158	7030004990	S.RES ERJ2GEJ 221 X (220)	T	196.1/56.8
R191	7030004990	S.RES ERJ2GEJ 221 X (220)	T	53.8/66.9
R192	7030004990	S.RES ERJ2GEJ 221 X (220)	T	52.8/66.9
R193	7030004990	S.RES ERJ2GEJ 221 X (220)	T	51.8/66.9
R194	7030004990	S.RES ERJ2GEJ 221 X (220)	T	50.8/66.9
R195	7030004990	S.RES ERJ2GEJ 221 X (220)	T	49.8/66.9
R197	7030004990	S.RES ERJ2GEJ 221 X (220)	T	47.8/66.9
R198	7030010040	S.RES ERJ2GEJ-JPW	T	46.8/66.9
R199	7030004990	S.RES ERJ2GEJ 221 X (220)	T	45.8/66.9
R200	7030004990	S.RES ERJ2GEJ 221 X (220)	T	44.8/66.9
R201	7030004990	S.RES ERJ2GEJ 221 X (220)	T	43.8/66.9
R212	7030004990	S.RES ERJ2GEJ 221 X (220)	T	42.4/12.2
R236	7030004990	S.RES ERJ2GEJ 221 X (220)	T	17.0/10.0
R238	7030004990	S.RES ERJ2GEJ 221 X (220)	T	19.0/10.0
R239	7030004990	S.RES ERJ2GEJ 221 X (220)	T	20.0/10.0
R240	7030004990	S.RES ERJ2GEJ 221 X (220)	T	21.0/10.0
R242	7030004990	S.RES ERJ2GEJ 221 X (220)	T	23.0/10.0
R243	7030004990	S.RES ERJ2GEJ 221 X (220)	T	24.0/10.0
R245	7030004990	S.RES ERJ2GEJ 221 X (220)	T	26.0/10.0
R246	7030004990	S.RES ERJ2GEJ 221 X (220)	T	27.0/10.0
R247	7030004990	S.RES ERJ2GEJ 221 X (220)	T	28.0/10.0

[MAIN UNIT]

REF NO.	PARTS NO.	DESCRIPTION	M.	H/V LOCATION
R248	7030004990	S.RES ERJ2GEJ 221 X (220)	T	29.0/10.0
R249	7030004990	S.RES ERJ2GEJ 221 X (220)	T	30.0/10.0
R1001	7030003860	S.RES ERJ3GE JPW V	B	201.2/7.9
R1002	7030003590	S.RES ERJ3GEYJ 183 V (18K)	B	205.3/5.1
R1003	7030003560	S.RES ERJ3GEYJ 103 V (10K)	B	203.0/4.4
R1004	7030003570	S.RES ERJ3GEYJ 123 V (12K)	T	198.0/5.0
R1005	7030003640	S.RES ERJ3GEYJ 473 V (47K)	T	200.0/3.9
R1006	7030003680	S.RES ERJ3GEYJ 104 V (100K)	B	192.7/4.4
R1007	7030003680	S.RES ERJ3GEYJ 104 V (100K)	B	193.3/6.7
R1021	7030003440	S.RES ERJ3GEYJ 102 V (1K)	B	189.9/10.0
R1022	7030003440	S.RES ERJ3GEYJ 102 V (1K)	B	196.4/9.1
R1023	7030003800	S.RES ERJ3GEYJ 105 V (1M)	B	196.4/7.4
R1024	7030003640	S.RES ERJ3GEYJ 473 V (47K)	B	193.3/9.9
R1025	7030003680	S.RES ERJ3GEYJ 104 V (100K)	B	193.3/8.3
R1041	7030003440	S.RES ERJ3GEYJ 102 V (1K)	B	198.7/30.5
R1042	7030003640	S.RES ERJ3GEYJ 473 V (47K)	B	186.3/31.7
R1043	7030003600	S.RES ERJ3GEYJ 223 X (22K)	B	200.6/29.3
R1044	7030003640	S.RES ERJ3GEYJ 473 V (47K)	T	175.9/26.7
R1061	7030005120	S.RES ERJ2GEJ 102 X (1K)	T	186.5/6.0
R1062	7030003640	S.RES ERJ3GEYJ 473 V (47K)	B	189.6/34.9
R1063	7030003640	S.RES ERJ3GEYJ 473 V (47K)	B	191.1/4.1
R1064	7030003640	S.RES ERJ3GEYJ 473 V (47K)	B	189.4/4.1
R1066	7030003640	S.RES ERJ3GEYJ 473 V (47K)	B	207.7/5.2
R1081	7030005220	S.RES ERJ2GEJ 223 X (22K)	T	169.3/31.1
R1082	7030005050	S.RES ERJ2GEJ 103 X (10K)	T	168.3/31.1
R1101	7030005720	S.RES ERJ2GEJ 563 X (56K)	T	135.0/7.4
R1102	7030005220	S.RES ERJ2GEJ 223 X (22K)	T	133.8/5.5
R1103	7030005050	S.RES ERJ2GEJ 103 X (10K)	T	136.7/8.2
R1104	7030007290	S.RES ERJ2GEJ 222 X (2.2K)	T	132.8/5.5
R1121	7030005040	S.RES ERJ2GEJ 472 X (4.7K)	T	166.4/10.7
R1122	7030005040	S.RES ERJ2GEJ 472 X (4.7K)	T	165.4/10.7
R1123	7030005040	S.RES ERJ2GEJ 472 X (4.7K)	T	164.4/10.7
R1124	7030005040	S.RES ERJ2GEJ 472 X (4.7K)	T	162.4/10.7
R1125	7030005040	S.RES ERJ2GEJ 472 X (4.7K)	T	161.4/10.7
R1126	7030005240	S.RES ERJ2GEJ 473 X (47K)	T	140.3/8.9
R1127	7030005240	S.RES ERJ2GEJ 473 X (47K)	T	148.5/9.7
R1128	7030005240	S.RES ERJ2GEJ 473 X (47K)	T	146.9/9.7
R1167	7030003440	S.RES ERJ3GEYJ 102 V (1K)	B	230.0/13.5
R1168	7030003440	S.RES ERJ3GEYJ 102 V (1K)	B	216.3/14.5
R1171	7030003360	S.RES ERJ3GEYJ 221 V (220)	B	230.2/20.7
R1172	7030003360	S.RES ERJ3GEYJ 221 V (220)	B	215.7/12.1
R1173	7030003440	S.RES ERJ3GEYJ 102 V (1K)	B	229.4/11.9
R1174	7030003440	S.RES ERJ3GEYJ 102 V (1K)	B	217.4/23.2
R1175	7030003440	S.RES ERJ3GEYJ 102 V (1K)	B	217.0/19.3
R1176	7030003440	S.RES ERJ3GEYJ 102 V (1K)	B	230.2/22.3
R1180	7030005530	S.RES ERJ2GEJ 100 X (10)	T	223.4/12.7
R1181	7030008100	S.RES ERJ3EKF 4702 V (47K)	B	233.2/19.8
R1182	7030003560	S.RES ERJ3GEYJ 103 V (10K)	B	218.0/10.5
R1183	7030010040	S.RES ERJ2GEJ-JPW	T	223.6/22.4
R1184	7030005530	S.RES ERJ2GEJ 100 X (10)	T	225.5/22.9
R1185	7030003640	S.RES ERJ3GEYJ 473 V (47K)	B	213.9/15.3
R1186	7030005090	S.RES ERJ2GEJ 104 X (100K)	T	222.7/22.4
R1187	7030005700	S.RES ERJ2GEJ 274 X (270K)	T	221.2/12.7
R1188	7030004980	S.RES ERJ2GEJ 101 X (100)	T	220.0/21.9
R1189	7030004980	S.RES ERJ2GEJ 101 X (100)	T	226.1/12.7
R1191	7030005090	S.RES ERJ2GEJ 104 X (100K)	T	222.4/12.7
R1201	7030003440	S.RES ERJ3GEYJ 102 V (1K)	B	199.6/9.5
R1203	7030003440	S.RES ERJ3GEYJ 102 V (1K)	B	203.1/10.3
R1207	7030003800	S.RES ERJ3GEYJ 105 V (1M)	B	216.3/17.3
R1208	7030003800	S.RES ERJ3GEYJ 105 V (1M)	B	230.0/18.7
R1210	7030003800	S.RES ERJ3GEYJ 105 V (1M)	B	205.4/12.3
R1212	7030003800	S.RES ERJ3GEYJ 105 V (1M)	B	199.8/6.3
R1213	7030010040	S.RES ERJ2GEJ-JPW	T	200.5/36.2
R1214	7030010040	S.RES ERJ2GEJ-JPW	T	199.5/36.2
R1215	7030005240	S.RES ERJ2GEJ 473 X (47K)	T	198.5/36.3
R1216	7030005240	S.RES ERJ2GEJ 473 X (47K)	T	197.6/36.3
R1217	7030005240	S.RES ERJ2GEJ 473 X (47K)	T	194.9/36.3
R1218	7030005240	S.RES ERJ2GEJ 473 X (47K)	T	194.0/36.3
R1219	7030003350	S.RES ERJ3GEYJ 181 V (180)	B	206.8/27.1
R1220	7030003640	S.RES ERJ3GEYJ 473 V (47K)	B	200.5/22.0
R1221	7030003520	S.RES ERJ3GEYJ 472 V (4.7K)	B	206.9/20.9
R1222	7030005040	S.RES ERJ2GEJ 472 X (4.7K)	T	233.6/17.1
R1223	7030003640	S.RES ERJ3GEYJ 473 V (47K)	B	203.3/33.9
R1224	7030003640	S.RES ERJ3GEYJ 473 V (47K)	B	201.5/33.9
R1225	7030005240	S.RES ERJ2GEJ 473 X (47K)	T	196.7/36.3
R1226	7030005240	S.RES ERJ2GEJ 473 X (47K)	T	182.0/25.3
R1227	7030005240	S.RES ERJ2GEJ 473 X (47K)	T	182.0/24.4
R1228	7030005240	S.RES ERJ2GEJ 473 X (47K)	T	181.5/23.0
R1229	7030005240	S.RES ERJ2GEJ 473 X (47K)	T	181.5/22.0
R1230	7030005240	S.RES ERJ2GEJ 473 X (47K)	T	210.6/30.0
R1231	7030005240	S.RES ERJ2GEJ 473 X (47K)	T	180.5/14.9
R1232	7030003680	S.RES ERJ3GEYJ 104 V (100K)	B	199.0/12.6
R1233	7030003680	S.RES ERJ3GEYJ 104 V (100K)	B	195.1/46.9
R1234	7030003680	S.RES ERJ3GEYJ 104 V (

[MAIN UNIT]

REF NO.	PARTS NO.	DESCRIPTION	M.	H/V LOCATION
R1313	7030003520	S.RES ERJ3GGEYJ 472 V (4.7K)	B	164.8/19.2
R1341	7030005040	S.RES ERJ2GEJ 472 X (4.7K)	T	239.8/11.5
R1342	7030005040	S.RES ERJ2GEJ 472 X (4.7K)	T	238.9/11.5
R1351	7030005240	S.RES ERJ2GEJ 473 X (4.7K)	T	180.5/14.0
R1353	7030003640	S.RES ERJ3GGEYJ 473 V (47K)	B	183.1/58.0
R1354	7030003640	S.RES ERJ3GGEYJ 473 V (47K)	B	183.1/61.1
R1361	7030005040	S.RES ERJ2GEJ 472 X (4.7K)	T	253.5/18.1
R1362	7030005040	S.RES ERJ2GEJ 472 X (4.7K)	T	176.2/29.4
R1363	7030005040	S.RES ERJ2GEJ 472 X (4.7K)	T	254.3/15.5
R1371	7030003640	S.RES ERJ3GGEYJ 473 V (47K)	B	184.3/25.6
R1372	7030003520	S.RES ERJ3GGEYJ 472 V (4.7K)	B	239.9/14.1
R1373	7030003640	S.RES ERJ3GGEYJ 473 V (47K)	B	197.9/33.9
R1375	7030003640	S.RES ERJ3GGEYJ 473 V (47K)	B	200.5/20.4
R1377	7030003640	S.RES ERJ3GGEYJ 473 V (47K)	B	189.9/24.6
R1379	7030003640	S.RES ERJ3GGEYJ 473 V (47K)	B	189.2/23.0
R1381	7030003640	S.RES ERJ3GGEYJ 473 V (47K)	B	189.2/29.9
R1382	7030003640	S.RES ERJ3GGEYJ 473 V (47K)	B	189.9/28.3
R1383	7030003440	S.RES ERJ3GGEYJ 102 V (1K)	B	189.9/21.8
R1384	7030003440	S.RES ERJ3GGEYJ 102 V (1K)	B	189.2/19.4
R1391	7030003640	S.RES ERJ3GGEYJ 473 V (47K)	B	196.9/12.4
R1392	7030003640	S.RES ERJ3GGEYJ 473 V (47K)	B	179.6/15.8
R1501	7030005120	S.RES ERJ2GEJ 102 X (1K)	T	241.4/11.2
R1502	7030005120	S.RES ERJ2GEJ 102 X (1K)	T	242.4/11.2
R1503	7030005120	S.RES ERJ2GEJ 102 X (1K)	T	243.3/11.4
R1504	7030005120	S.RES ERJ2GEJ 102 X (1K)	T	245.8/11.5
R2001	7030006561	S.RES ERA3YED 223V (22K)	T	29.0/43.2
R2002	7030005871	S.RES ERA3YKD 104V (100K)	T	28.3/41.0
R2003	7030005451	S.RES ERA3YED 153V (15K)	T	27.7/43.2
R2004	7030005050	S.RES ERJ2GEJ 103 X (10K)	T	27.1/38.3
R2005	7030005050	S.RES ERJ2GEJ 103 X (10K)	T	27.1/49.5
R2006	7030006561	S.RES ERA3YED 223V (22K)	T	28.6/46.0
R2007	7030006561	S.RES ERA3YED 223V (22K)	T	27.5/50.5
R2008	7030008061	S.RES ERA3YED 222V (2.2K)	T	28.6/48.6
R2009	7030005040	S.RES ERJ2GEJ 472 X (4.7K)	T	28.9/38.3
R2010	7030000010	S.RES MCR10EZHH JPW (000)	T	10.6/26.0
R2011	7030005040	S.RES ERJ2GEJ 472 X (4.7K)	T	28.0/51.7
R2012	7030010040	S.RES ERJ2GEJ-JPW	T	16.4/37.6
R2013	7030010040	S.RES ERJ2GEJ-JPW	T	13.4/48.2
R2021	7030000010	S.RES MCR10EZHH JPW (000)	T	4.9/20.6
R2101	7030003680	S.RES ERJ3GGEYJ 104 V (100K)	B	120.1/11.2
R2102	7030003560	S.RES ERJ3GGEYJ 103 V (10K)	B	120.1/7.7
R2103	7030010610	S.RES ERJ1TYJ 470U (47)	B	68.1/17.5
R2111	7030003680	S.RES ERJ3GGEYJ 104 V (100K)	T	121.9/10.6
R2112	7030003560	S.RES ERJ3GGEYJ 103 V (10K)	T	120.4/7.6
R2113	7030003860	S.RES ERJ3GE JPW V	T	77.5/18.9
R3209	7030004980	S.RES ERJ2GEJ 101 X (100)	T	48.3/37.4
R3210	7030004980	S.RES ERJ2GEJ 101 X (100)	T	48.3/38.3
R3211	7030004980	S.RES ERJ2GEJ 101 X (100)	T	48.3/39.2
R3213	7030004980	S.RES ERJ2GEJ 101 X (100)	T	38.6/36.7
R3214	7030004980	S.RES ERJ2GEJ 101 X (100)	T	38.6/37.6
R3215	7030004980	S.RES ERJ2GEJ 101 X (100)	T	38.6/38.5
R3232	7030004980	S.RES ERJ2GEJ 101 X (100)	T	38.5/27.2
R3233	7030004980	S.RES ERJ2GEJ 101 X (100)	T	38.5/28.1
R3234	7030004980	S.RES ERJ2GEJ 101 X (100)	T	48.3/27.4
R3251	7030009920	S.RES ERJ3GGEYJ 335 V (3.3M)	T	58.4/51.8
R3252	7030007310	S.RES ERJ2GEJ 155 X (1.5M)	T	61.0/51.8
R3253	7030008290	S.RES ERJ2GEJ 183 X (18K)	T	63.1/52.8
R3254	7030004980	S.RES ERJ2GEJ 101 X (100)	T	58.0/57.3
R3255	7030007320	S.RES ERJ2GEJ 225 X (2.2M)	T	58.0/55.6
R3256	7030005290	S.RES ERJ2GEJ 682 X (6.8K)	T	61.4/54.5
R3257	7030005090	S.RES ERJ2GEJ 104 X (100K)	T	59.0/55.6
R3258	7030005070	S.RES ERJ2GEJ 683 X (68K)	T	59.9/55.0
R3259	7030005050	S.RES ERJ2GEJ 103 X (10K)	T	59.4/57.7
R3260	7510001511	S.THE NTCG16 4LH 223JT	T	60.7/56.4
R3261	7030005040	S.RES ERJ2GEJ 472 X (4.7K)	T	60.4/48.7
R3262	7030005030	S.RES ERJ2GEJ 152 X (1.5K)	T	60.4/49.6
R3263	7030005070	S.RES ERJ2GEJ 683 X (68K)	T	64.0/52.8
R3264	7030006610	S.RES ERJ2GEJ 394 X (390K)	T	49.0/44.3
R3265	7030005160	S.RES ERJ2GEJ 105 X (1M)	T	48.8/46.0
R3266	7030004980	S.RES ERJ2GEJ 101 X (100)	T	58.1/47.8
R3267	7030012220	S.RES ERJ2GEJ 185 X (1.8M)	T	62.2/52.8
R3268	7030005170	S.RES ERJ2GEJ 474 X (470K)	T	64.9/52.8
R3270	7030005040	S.RES ERJ2GEJ 472 X (4.7K)	T	51.8/61.5
R3271	7030007280	S.RES ERJ2GEJ 331 X (330)	T	48.9/50.5
R3272	7030005830	S.RES RR0510P-223-D (22K)	T	45.0/51.9
R3273	7030004980	S.RES ERJ2GEJ 101 X (100)	T	62.9/48.6
R3275	7030005110	S.RES ERJ2GEJ 224 X (220K)	T	48.9/52.1
R3276	7030010040	S.RES ERJ2GEJ-JPW	T	46.8/52.8
R3277	7030008400	S.RES ERJ2GEJ 182 X (1.8K)	T	45.9/58.9
R3280	7030005840	S.RES RR0510P-473-D (47K)	T	45.9/51.9
R3281	7030007280	S.RES ERJ2GEJ 331 X (330)	T	46.8/58.0
R3282	7030005090	S.RES ERJ2GEJ 104 X (100K)	T	44.0/51.3
R3283	7030005240	S.RES ERJ2GEJ 473 X (47K)	T	48.0/52.1
R3284	7030012310	S.RES ERJ2RKD 3303X (330K)	T	60.1/44.4
R3285	7030004980	S.RES ERJ2GEJ 101 X (100)	T	51.1/57.9
R3286	7030007320	S.RES ERJ2GEJ 225 X (2.2M)	T	47.6/55.6
R3287	7030005120	S.RES ERJ2GEJ 102 X (1K)	T	38.1/52.5
R3288	7030005240	S.RES ERJ2GEJ 473 X (47K)	T	39.4/52.5
R3289	7030012320	S.RES ERJ2RKD 2203X (220K)	T	60.1/45.9
R3290	7030012310	S.RES ERJ2RKD 3303X (330K)	T	56.0/42.4
R3291	7030005110	S.RES ERJ2GEJ 224 X (220K)	T	45.4/57.1
R3292	7030005110	S.RES ERJ2GEJ 224 X (220K)	T	44.4/54.9
R3293	7030012270	S.RES ERJ2RKD 1203X (120K)	T	58.0/42.4
R3294	7030005220	S.RES ERJ2GEJ 223 X (22K)	T	44.1/57.6
R3295	7030010040	S.RES ERJ2GEJ-JPW	T	46.7/55.6
R3297	7030005830	S.RES RR0510P-223-D (22K)	T	60.1/43.4
R3298	7030005830	S.RES RR0510P-223-D (22K)	T	60.1/42.4
R3299	7030005110	S.RES ERJ2GEJ 224 X (220K)	T	43.5/54.9
R3300	7030012230	S.RES ERJ2GEJ 475 X (4.7M)	T	64.7/37.4
R3301	7030005050	S.RES ERJ2GEJ 103 X (10K)	T	59.2/40.4
R3302	7030010040	S.RES ERJ2GEJ-JPW	T	50.2/48.2
R3303	7030005090	S.RES ERJ2GEJ 104 X (100K)	T	52.0/48.2
R3304	7030005040	S.RES ERJ2GEJ 472 X (4.7K)	T	64.7/39.0
R3305	7030005160	S.RES ERJ2GEJ 105 X (1M)	T	62.3/32.3
R3306	7030005120	S.RES ERJ2GEJ 102 X (1K)	T	59.2/38.7

[MAIN UNIT]

REF NO.	PARTS NO.	DESCRIPTION	M.	H/V LOCATION
R3307	7030005120	S.RES ERJ2GEJ 102 X (1K)	T	61.5/41.1
R3308	7030005040	S.RES ERJ2GEJ 472 X (4.7K)	T	59.2/34.0
R3309	7030008400	S.RES ERJ2GEJ 182 X (1.8K)	T	64.7/40.8
R3310	7030005090	S.RES ERJ2GEJ 104 X (100K)	T	52.1/39.6
R3339	7030005040	S.RES ERJ2GEJ 472 X (4.7K)	T	72.5/32.8
R3401	7030005050	S.RES ERJ2GEJ 103 X (10K)	T	125.4/63.5
R3402	7030005050	S.RES ERJ2GEJ 103 X (10K)	T	125.4/62.6
R3403	7030005050	S.RES ERJ2GEJ 103 X (10K)	T	123.8/62.4
R3404	7030003550	S.RES ERJ3GGEYJ 822 V (8.2K)	B	120.6/64.2
R3405	7030005050	S.RES ERJ2GEJ 103 X (10K)	T	122.8/62.4
R3406	7030003550	S.RES ERJ3GGEYJ 822 V (8.2K)	B	120.6/62.6
R3407	7030010040	S.RES ERJ2GEJ-JPW	T	119.4/53.5
R3408	7030003560	S.RES ERJ3GGEYJ 103 V (10K)	B	124.9/56.1
R3409	7030003560	S.RES ERJ3GGEYJ 103 V (10K)	B	124.9/57.7
R3410	7030008300	S.RES ERJ2GEJ 184 X (180K)	T	125.4/51.2
R3411	7030005050	S.RES ERJ2GEJ 103 X (10K)	T	125.8/49.9
R3412	7030005100	S.RES ERJ2GEJ 681 X (680)	T	121.4/48.5
R3413	7030004990	S.RES ERJ2GEJ 221 X (220)	T	123.5/47.9
R3421	7030005050	S.RES ERJ2GEJ 103 X (10K)	T	133.2/61.8
R3422	7030005050	S.RES ERJ2GEJ 103 X (10K)	T	131.2/61.8
R3423	7030004980	S.RES ERJ2GEJ 101 X (100)	T	129.4/62.6
R3424	7030004980	S.RES ERJ2GEJ 101 X (100)	T	135.0/53.9
R3425	7030005050	S.RES ERJ2GEJ 103 X (10K)	T	132.1/52.6
R3431	7030005040	S.RES ERJ2GEJ 472 X (4.7K)	T	141.0/44.5
R3432	7030005040	S.RES ERJ2GEJ 472 X (4.7K)	T	141.7/46.6
R3433	7030005230	S.RES ERJ2GEJ 334 X (330K)	T	141.7/48.0
R3434	7030005290	S.RES ERJ2GEJ 682 X (6.8K)	T	143.2/47.6
R3435	7030005220	S.RES ERJ2GEJ 223 X (22K)	T	141.0/38.9
R3441	7030003710	S.RES ERJ3GGEYJ 184 V (180K)	B	135.0/55.3
R3442	7030003600	S.RES ERJ3GGEYJ 223 V (22K)	B	135.6/59.7
R3443	7030003560	S.RES ERJ3GGEYJ 103 V (10K)	B	135.2/52.9
R3445	7030003580	S.RES ERJ3GGEYJ 153 V (15K)	B	129.8/56.2
R3451	7030005050	S.RES ERJ2GEJ 103 X (10K)	T	143.5/55.0
R3452	7030005110	S.RES ERJ2GEJ 224 X (220K)	T	141.8/58.1
R3453	7030005290	S.RES ERJ2GEJ 682 X (6.8K)	T	141.8/59.0
R3454	7030005290	S.RES ERJ2GEJ 682 X (6.8K)	T	141.8/60.0
R3455	7030005220	S.RES ERJ2GEJ 223 X (22K)	T	140.4/59.5
R3456	7030005220	S.RES ERJ2GEJ 223 X (22K)	T	139.5/59.5
R3457	7030005220	S.RES ERJ2GEJ 223 X (22K)	T	138.6/59.5
R3458	7030005220	S.RES ERJ2GEJ 223 X (22K)	T	136.8/53.5
R3459	7030005220	S.RES ERJ2GEJ 223 X (22K)	T	137.6/49.2
R3460	7030005050	S.RES ERJ2GEJ 103 X (10K)	T	137.2/47.3
R3477	7030004980	S.RES ERJ2GEJ 101 X (100)	T	138.8/45.7
R3480	7030004980	S.RES ERJ2GEJ 101 X (100)	T	140.1/60.9
R3539	7030005210	S.RES ERJ2GEJ 822 X (8.2K)	T	112.9/63.6
R3540	7030009290	S.RES ERJ2GEJ 562 X (5.6K)	T	112.0/62.7
R3541	7030007340	S.RES ERJ2GEJ 153 X (15K)	T	114.5/63.2
R3542	7030005050	S.RES ERJ2GEJ 103 X (10K)	T	116.7/58.6
R3543	7030005040	S.RES ERJ2GEJ 472 X (4.7K)	T	110.0/55.3
R3545	7030005050	S.RES ERJ2GEJ 103 X (10K)	T	113.0/52.9
R3547	7030003360	S.RES ERJ3GGEYJ 221 V (220)	B	110.9/54.1
R3548	7030003360	S.RES ERJ3GGEYJ 221 V (220)	B	110.9/56.1
R3550	7030003800	S.RES ERJ3GGEYJ 105 V (1M)	B	110.0/48.8
R3552	7030003440	S.RES ERJ3GGEYJ 102 V (1K)	B	110.8/51.2
R3554	7030009920	S.RES ERJ3GGEYJ 271 V (270)	B	114.1/48.8
R3555	7030004980	S.RES ERJ2GEJ 101 X (100)	T	117.9/55.4
R3556	7030004980	S.RES ERJ2GEJ 101 X (100)	T	108.9/60.6
R3559	7030003320	S.RES ERJ3GGEYJ 101 V (100)	B	107.3/45.0
R3560	7030003320	S.RES ERJ3GGEYJ 101 V (100)	B	102.6/55.6
R3601	7030003320	S.RES ERJ3GGEYJ 101 V (100)	B	86.9/45.8
R3602	7030003320	S.RES ERJ3GGEYJ 101 V (100)	B	81.5/33.9
R3603	7030005800	S.RES RR0510P-102-D (1K)	T	88.1/43.5
R3604	7030005800	S.RES RR0510P-102-D (1K)	T	86.4/43.5
R3605	7030005800	S.RES RR0510P-102-D (1K)	T	85.1/43.0
R3606	7030005800	S.RES RR0510P-102-D (1K)	T	82.4/39.9
R3607	7030005800	S.RES RR0510P-102-D (1K)	T	86.6/40.4
R3608	7030005040	S.RES ERJ2GEJ 472 X (4.7K)	T	83.8/35.8
R3609	7030005120	S.RES ERJ2GEJ 102 X (1K)	T	85.4/36.5
R3621	7030004980	S.RES ERJ2GEJ 101 X (100)	T	89.7/34.3
R3623	7030005120	S.RES ERJ2GEJ 102 X (1K)	T	86.6/28.6
R3624	7030008370	S.RES ERJ2GEJ 561 X (560)	T	85.7/28.6
R				

[MAIN UNIT]

REF NO.	PARTS NO.	DESCRIPTION	M.	H/V LOCATION
R3804	7030003500	S.RES ERJ3GEYJ 332 V (3.3K)	B	104.6/45.7
R3805	7030003500	S.RES ERJ3GEYJ 332 V (3.3K)	B	103.0/45.7
R3905	7030003860	S.RES ERJ3GE JPW V	T	206.9/62.6
R3911	7030005590	S.RES ERJ2GEJ 680 X (68)	T	204.3/59.1
R3937	7030003640	S.RES ERJ3GEYJ 473 V (47K)	B	200.9/56.1
R3938	7030003640	S.RES ERJ3GEYJ 473 V (47K)	B	200.9/54.5
R3939	7030004980	S.RES ERJ2GEJ 101 X (100)	T	198.7/56.8
R3940	7030004980	S.RES ERJ2GEJ 101 X (100)	T	201.3/57.5
R3951	7030005240	S.RES ERJ2GEJ 473 X (47K)	T	263.8/37.3
R3952	7030005240	S.RES ERJ2GEJ 473 X (47K)	T	263.4/41.1
R3953	7030005240	S.RES ERJ2GEJ 473 X (47K)	T	265.2/39.7
R3955	7030005530	S.RES ERJ2GEJ 100 X (10)	T	208.0/56.7
R3956	7030003860	S.RES ERJ3GE JPW V	T	203.8/55.3
R3957	7030003290	S.RES ERJ3GEYJ 560 V (56)	T	207.8/52.4
R4001	7030010040	S.RES ERJ2GEJ-JPW	T	224.1/34.3
R4002	7030010040	S.RES ERJ2GEJ-JPW	T	222.3/34.3
R4005	7030005240	S.RES ERJ2GEJ 473 X (47K)	T	226.0/34.3
R4008	7030008240	S.RES ERJ12Y0R00U	B	268.4/34.3
R4009	7030010040	S.RES ERJ2GEJ-JPW	T	216.0/31.3
R4010	7030008240	S.RES ERJ12Y0R00U	T	268.4/30.7
R4014	7030005040	S.RES ERJ2GEJ 472 X (4.7K)	T	221.0/32.5
R4015	7030005040	S.RES ERJ2GEJ 472 X (4.7K)	T	218.7/31.8
R4016	7030003290	S.RES ERJ3GEYJ 560 V (56)	T	225.1/35.8
R4017	7030003290	S.RES ERJ3GEYJ 560 V (56)	T	211.4/44.4
R4018	7030003860	S.RES ERJ3GE JPW V	T	208.2/47.6
R4019	7030003860	S.RES ERJ3GE JPW V	T	208.2/36.8
R4303	7030005090	S.RES ERJ2GEJ 104 X (100K)	T	212.6/50.3
R4401	7030003320	S.RES ERJ3GEYJ 101 V (100)	B	157.8/30.8
R4402	7030003320	S.RES ERJ3GEYJ 101 V (100)	B	143.4/39.1
R4403	7030003320	S.RES ERJ3GEYJ 101 V (100)	B	157.7/18.6
R4404	7030003320	S.RES ERJ3GEYJ 101 V (100)	B	157.1/27.4
R4405	7030004980	S.RES ERJ2GEJ 101 X (100)	T	161.4/24.6
R4406	7030004980	S.RES ERJ2GEJ 101 X (100)	T	147.8/23.9
R4417	7030005321	S.RES ERA3YED 103V (10K)	B	148.8/25.1
R4418	7030005820	S.RES RR0510P-103-D (10K)	T	166.1/20.6
R4421	7030005820	S.RES RR0510P-103-D (10K)	T	160.8/19.8
R4422	7030005321	S.RES ERA3YED 103V (10K)	B	150.4/22.3
R4423	7030003680	S.RES ERJ3GEYJ 104 V (100K)	B	160.4/22.4
R4424	7030009591	S.RES ERA3YED 472V (4.7K)	T	153.0/18.5
R4427	7030005820	S.RES RR0510P-103-D (10K)	T	161.4/23.7
R4432	7030005321	S.RES ERA3YED 103V (10K)	B	145.6/32.5
R4433	7030005321	S.RES ERA3YED 103V (10K)	B	156.3/31.5
R4434	7030008250	S.RES RR0510P-562-D (5.6K)	T	159.8/26.3
R4435	7030005820	S.RES RR0510P-103-D (10K)	T	151.6/23.7
R4436	7030005770	S.RES RR0510P-101-D (100)	T	159.8/25.1
R4445	7030009591	S.RES ERA3YED 472V (4.7K)	B	154.5/38.9
R4446	7030008250	S.RES RR0510P-562-D (5.6K)	T	152.8/26.3
R4447	7030009591	S.RES ERA3YED 472V (4.7K)	B	147.0/38.9
R4448	7030009691	S.RES ERA3YED 101V (100)	B	149.1/39.6
R4449	7030009691	S.RES ERA3YED 101V (100)	B	152.3/39.6
R4450	7030005770	S.RES RR0510P-101-D (100)	T	152.8/25.1
R4461	7030010040	S.RES ERJ2GEJ-JPW	T	158.0/35.0
R4462	7030004980	S.RES ERJ2GEJ 101 X (100)	T	164.0/34.6
R4463	7030007250	S.RES ERJ2GEJ 220 X (22)	T	169.0/40.6
R4464	7030007250	S.RES ERJ2GEJ 220 X (22)	T	169.0/41.5
R4465	7030003680	S.RES ERJ3GEYJ 104 V (100K)	B	166.2/46.5
R4468	7030005050	S.RES ERJ2GEJ 103 X (10K)	T	170.0/38.2
R4469	7030003860	S.RES ERJ3GE JPW V	T	169.2/53.2
R4470	7030003860	S.RES ERJ3GE JPW V	T	173.4/36.0
R4486	7030003550	S.RES ERJ3GEYJ 822 V (8.2K)	B	159.2/48.3
R4487	7030003550	S.RES ERJ3GEYJ 822 V (8.2K)	B	159.2/46.7
R4489	7030009591	S.RES ERA3YED 472V (4.7K)	B	162.4/53.8
R4490	7030009591	S.RES ERA3YED 472V (4.7K)	B	164.1/52.4
R4495	7030009591	S.RES ERA3YED 472V (4.7K)	B	157.4/53.5
R4496	7030009591	S.RES ERA3YED 472V (4.7K)	B	159.2/53.5
R4497	7030005981	S.RES ERA3YED 333V (33K)	B	158.5/44.4
R4498	7030009591	S.RES ERA3YED 472V (4.7K)	B	165.7/66.3
R4499	7030003530	S.RES ERJ3GEYJ 562 V (5.6K)	B	154.5/46.7
R4502	7030003530	S.RES ERJ3GEYJ 562 V (5.6K)	B	154.5/48.3
R4503	7030009591	S.RES ERA3YED 472V (4.7K)	B	160.8/55.1
R4504	7030009961	S.RES ERA3YED 221V (220)	B	164.7/62.4
R4505	7030009961	S.RES ERA3YED 221V (220)	B	164.8/64.0
R4506	7030009961	S.RES ERA3YED 221V (220)	B	155.2/55.4
R4507	7030009961	S.RES ERA3YED 221V (220)	B	157.6/56.2
R4509	7030009591	S.RES ERA3YED 472V (4.7K)	B	162.3/58.6
R4511	7030005981	S.RES ERA3YED 333V (33K)	B	155.3/49.9
R4512	7030009591	S.RES ERA3YED 472V (4.7K)	B	153.6/55.4
R4513	7030009691	S.RES ERA3YED 101V (100)	B	165.6/59.0
R4514	7030003320	S.RES ERJ3GEYJ 101 V (100)	B	155.3/51.5
R4515	7030009691	S.RES ERA3YED 101V (100)	B	151.2/56.2
R4518	7030003320	S.RES ERJ3GEYJ 101 V (100)	B	146.0/55.8
R4519	7030003320	S.RES ERJ3GEYJ 101 V (100)	B	146.5/43.8
R4520	7030003320	S.RES ERJ3GEYJ 101 V (100)	B	160.2/66.2
R4521	7030003320	S.RES ERJ3GEYJ 101 V (100)	B	155.1/66.5
R4522	7030003480	S.RES ERJ3GEYJ 222 V (2.2K)	B	98.6/36.5
R4523	7030003440	S.RES ERJ3GEYJ 102 V (1K)	B	97.8/31.6
R4601	7030004980	S.RES ERJ2GEJ 101 X (100)	T	111.8/25.1
R4602	7030004980	S.RES ERJ2GEJ 101 X (100)	T	107.3/36.8
R4603	7030003320	S.RES ERJ3GEYJ 101 V (100)	B	118.2/57.9
R4604	7030003320	S.RES ERJ3GEYJ 101 V (100)	B	126.4/47.0
R4605	7030003320	S.RES ERJ3GEYJ 101 V (100)	B	118.7/45.4
R4606	7030003320	S.RES ERJ3GEYJ 101 V (100)	B	130.3/40.0
R4607	7030008400	S.RES ERJ2GEJ 182 X (1.8K)	T	119.6/47.6
R4608	7030005000	S.RES ERJ2GEJ 471 X (470)	T	109.3/49.6
R4609	7030005240	S.RES ERJ2GEJ 473 X (47K)	T	115.0/52.4
R4610	7030006601	S.RES ERA3YED 272V (2.7K)	B	126.4/50.3
R4611	7030006601	S.RES ERA3YED 272V (2.7K)	B	125.7/52.7
R4612	7030008250	S.RES RR0510P-562-D (5.6K)	T	106.0/28.5
R4613	7030005820	S.RES RR0510P-103-D (10K)	T	108.3/25.5
R4614	7030009591	S.RES ERA3YED 472V (4.7K)	B	128.4/35.3
R4615	7030006010	S.RES RR0510P-472-D (4.7K)	T	103.1/27.9
R4616	7030006010	S.RES RR0510P-472-D (4.7K)	T	103.9/32.9
R4617	7030006601	S.RES ERA3YED 272V (2.7K)	B	113.8/39.8
R4618	7030006601	S.RES ERA3YED 272V (2.7K)	B	123.8/44.1
R4619	7030006010	S.RES RR0510P-472-D (4.7K)	T	103.9/31.3

[MAIN UNIT]

REF NO.	PARTS NO.	DESCRIPTION	M.	H/V LOCATION
R4620	7030009591	S.RES ERA3YED 472V (4.7K)	B	126.8/35.3
R4621	7030005950	S.RES RR0510P-123-D (12K)	T	115.1/26.5
R4622	7030006601	S.RES ERA3YED 272V (2.7K)	B	115.5/39.8
R4623	7030006601	S.RES ERA3YED 272V (2.7K)	B	128.4/40.9
R4624	7030005050	S.RES ERJ2GEJ 103 X (10K)	T	114.1/31.9
R4625	7030009691	S.RES ERA3YED 101V (100)	B	116.3/42.9
R4626	7030007280	S.RES ERJ2GEJ 331 X (330)	T	112.9/26.3
R4627	7030009691	S.RES ERA3YED 101V (100)	B	127.6/43.2
R4628	7030005770	S.RES RR0510P-101-D (100)	T	114.1/33.7
R4629	7030003680	S.RES ERJ3GEYJ 104 V (100K)	B	119.4/47.4
R4630	7030007230	S.RES ERA3YED 102V (1K)	B	126.4/48.6
R4651	7030010040	S.RES ERJ2GEJ-JPW	T	131.2/24.6
R4652	7030010040	S.RES ERJ2GEJ-JPW	T	125.8/37.0
R4653	7030004980	S.RES ERJ2GEJ 101 X (100)	T	127.1/37.4
R4654	7030005240	S.RES ERJ2GEJ 473 X (47K)	T	127.6/36.4
R4655	7030004970	S.RES ERJ2GEJ 470 X (47)	T	132.9/25.1
R4656	7030004970	S.RES ERJ2GEJ 470 X (47)	T	131.2/25.7
R4657	7030004970	S.RES ERJ2GEJ 470 X (47)	T	132.9/26.2
R4658	7030004970	S.RES ERJ2GEJ 470 X (47)	T	131.2/26.8
R4659	7030005240	S.RES ERJ2GEJ 473 X (47K)	T	127.3/24.3
R4661	7030003460	S.RES ERJ3GEYJ 152 V (1.5K)	B	118.0/31.2
R4662	7030003420	S.RES ERJ3GEYJ 681 V (680)	B	114.9/29.1
R4663	7030003320	S.RES ERJ3GEYJ 101 V (100)	B	105.7/40.7
R4664	7030003320	S.RES ERJ3GEYJ 101 V (100)	B	110.3/29.1
R4665	7030005341	S.RES ERA3YED 332V (3.3K)	B	110.3/25.9
R4666	7030005341	S.RES ERA3YED 332V (3.3K)	B	97.8/33.7
R4667	7030003560	S.RES ERJ3GEYJ 103 V (10K)	B	119.1/35.8
R4668	7030003560	S.RES ERJ3GEYJ 103 V (10K)	B	119.1/33.7
R4669	7030003500	S.RES ERJ3GEYJ 332 V (3.3K)	B	114.9/32.3
R4670	7030005341	S.RES ERA3YED 332V (3.3K)	B	110.3/27.5
R4671	7030003380	S.RES ERJ3GEYJ 331 V (330)	B	114.4/35.5
R4672	7030003380	S.RES ERJ3GEYJ 331 V (330)	B	114.4/33.9
R4673	7030009861	S.RES ERA3YED 101V (470)	B	103.8/30.3
R4674	7030009861	S.RES ERA3YED 471V (470)	B	105.5/30.3
R4675	7030005341	S.RES ERA3YED 332V (3.3K)	B	107.1/30.3
R4676	7030003510	S.RES ERJ3GEYJ 392 V (3.9K)	B	114.4/37.1
R4677	7030009691	S.RES ERA3YED 101V (100)	B	96.8/36.5
R4678	7030003320	S.RES ERJ3GEYJ 101 V (100)	B	111.4/38.7
C56	4030017460	S.CER C1005 JB 1H 102K-T	T	120.15/57.2
C57	4030006860	S.CER C1608 JB 1H 102K-T	B	194.75/42.1
C58	4030017460	S.CER C1005 JB 1H 102K-T	T	194.5/50.1
C59	4030017460	S.CER C1005 JB 1H 102K-T	T	194.0/39.1
C63	4030017460	S.CER C1005 JB 1H 102K-T	T	192.0/38.2
C65	4030017460	S.CER C1005 JB 1H 102K-T	T	191.0/38.2
C66	4030017460	S.CER C1005 JB 1H 102K-T	T	190.5/50.1
C67	4030017460	S.CER C1005 JB 1H 102K-T	T	190.0/38.2
C68	4030017460	S.CER C1005 JB 1H 102K-T	T	189.0/38.2
C69	4030017460	S.CER C1005 JB 1H 102K-T	T	188.5/50.1
C70	4030017460	S.CER C1005 JB 1H 102K-T	T	188.0/38.2
C71	4030017460	S.CER C1005 JB 1H 102K-T	T	187.5/50.1
C72	4030017460	S.CER C1005 JB 1H 102K-T	T	187.0/38.1
C73	4030017400	S.CER C1005 CH 1H 220J-T	T	186.5/50.1
C74	4030017400	S.CER C1005 CH 1H 220J-T	T	186.0/38.2
C75	4030017460	S.CER C1005 JB 1H 102K-T	T	185.5/50.1
C76	4030017400	S.CER C1005 CH 1H 220J-T	T	185.0/38.2
C77	4030017400	S.CER C1005 CH 1H 220J-T	T	184.5/50.1
C80	4030017400	S.CER C1005 CH 1H 220J-T	T	183.0/38.2
C81	4030017400	S.CER C1005 CH 1H 220J-T	T	182.5/50.1
C101	4030017460	S.CER C1005 JB 1H 102K-T	T	155.2/61.5
C102	4030017460	S.CER C1005 JB 1H 102K-T	T	153.2/61.5
C103	4030017460	S.CER C1005 JB 1H 102K-T	T	144.4/61.3
C104	4030017460	S.CER C1005 JB 1H 102K-T	T	137.7/64.3
C105	4030017460	S.CER C1005 JB 1H 102K-T	T	134.1/63.7
C121	4030017460	S.CER C1005 JB 1H 102K-T	T	123.7/66.6
C122	4030017460	S.CER C1005 JB 1H 102K-T	T	119.5/67.4
C124	4030017460	S.CER C1005 JB 1H 102K-T	T	116.5/67.4
C141	4030017460	S.CER C1005 JB 1H 102K-T	T	177.6/64.8
C142	4030017460	S.CER C1005 JB 1H 102K-T	T	178.1/53.8
C143	4030017460	S.CER C1005 JB 1H 102K-T	T	178.6/64.8
C144	4030017460	S.CER C1005 JB 1H 102K-T	T	179.1/53.8
C145	4030017460	S.CER C1005 JB 1H 102K-T	T	179.6/64.8
C146				

[MAIN UNIT]

REF NO.	PARTS NO.	DESCRIPTION	M.	H/V LOCATION
C214	4030017460	S.CER C1005 JB 1H 102K-T	T	46.4/17.9
C216	4030017460	S.CER C1005 JB 1H 102K-T	T	50.4/16.6
C217	4030017460	S.CER C1005 JB 1H 102K-T	T	52.4/16.6
C218	4030017460	S.CER C1005 JB 1H 102K-T	T	54.4/16.6
C219	4030017460	S.CER C1005 JB 1H 102K-T	T	56.4/16.6
C236	4030017460	S.CER C1005 JB 1H 102K-T	T	17.0/12.3
C238	4030017460	S.CER C1005 JB 1H 102K-T	T	19.0/12.3
C242	4030017400	S.CER C1005 CH 1H 220J-T	T	23.0/12.3
C243	4030017400	S.CER C1005 CH 1H 220J-T	T	24.0/12.3
C245	4030017460	S.CER C1005 JB 1H 102K-T	T	26.0/12.3
C246	4030017400	S.CER C1005 CH 1H 220J-T	T	27.0/12.3
C247	4030017400	S.CER C1005 CH 1H 220J-T	T	28.0/12.3
C248	4030017400	S.CER C1005 CH 1H 220J-T	T	29.0/12.3
C249	4030017400	S.CER C1005 CH 1H 220J-T	T	30.0/12.3
C1001	4030016930	S.CER C1005 JB 1A 104K-T	T	193.1/3.7
C1021	4030006900	S.CER C1608 JB 1H 103K-T	B	187.3/7.6
C1022	4030006900	S.CER C1608 JB 1H 103K-T	B	195.3/12.5
C1041	4030016930	S.CER C1005 JB 1A 104K-T	T	177.5/28.7
C1081	4030016930	S.CER C1005 JB 1A 104K-T	T	170.3/31.1
C1101	4030016930	S.CER C1005 JB 1A 104K-T	T	134.9/5.5
C1102	4030008890	S.CER C1608 JB 1H 273K-T	T	138.2/3.6
C1161	4030011600	S.CER C1608 JB 1E 104K-T	B	225.8/13.5
C1169	4030006900	S.CER C1608 JB 1H 103K-T	B	230.0/15.1
C1173	4030019560	S.CER GRM21BB31C106KE15L	B	235.0/19.6
C1174	4030019560	S.CER GRM21BB31C106KE15L	B	215.3/10.3
C1175	4030006900	S.CER C1608 JB 1H 103K-T	B	230.0/16.7
C1176	4030006900	S.CER C1608 JB 1H 103K-T	B	215.8/23.2
C1177	4030006900	S.CER C1608 JB 1H 103K-T	B	216.3/20.9
C1178	4030006900	S.CER C1608 JB 1H 103K-T	B	232.2/24.4
C1179	4030019990	S.CER C1005 JB 1C 104K-T	T	221.2/22.4
C1180	4030019990	S.CER C1005 JB 1C 104K-T	T	225.2/12.7
C1202	4030006900	S.CER C1608 JB 1H 103K-T	B	199.7/33.9
C1204	4030006900	S.CER C1608 JB 1H 103K-T	B	202.8/29.6
C1205	4030019560	S.CER GRM21BB31C106KE15L	T	205.4/8.2
C1206	4030016790	S.CER C1005 JB 1E 103K-T	T	203.5/11.1
C1207	4030016930	S.CER C1005 JB 1A 104K-T	T	184.9/35.8
C1208	4030016930	S.CER C1005 JB 1A 104K-T	T	204.3/37.3
C1209	4030016930	S.CER C1005 JB 1A 104K-T	T	208.4/29.1
C1210	4030016930	S.CER C1005 JB 1A 104K-T	T	207.5/28.0
C1211	4030016930	S.CER C1005 JB 1A 104K-T	T	188.3/10.3
C1212	4030019560	S.CER GRM21BB31C106KE15L	T	205.4/6.4
C1213	4030016790	S.CER C1005 JB 1E 103K-T	T	203.5/10.2
C1214	4030011600	S.CER C1608 JB 1E 104K-T	B	206.8/25.4
C1215	4030017620	S.CER C1005 CH 1H 100C-T	T	209.1/26.1
C1216	4030017620	S.CER C1005 CH 1H 100C-T	T	208.2/25.6
C1217	4030016930	S.CER C1005 JB 1A 104K-T	T	189.7/10.3
C1261	4030016930	S.CER C1005 JB 1A 104K-T	T	253.5/17.2
C1262	4030016930	S.CER C1005 JB 1A 104K-T	T	250.0/31.3
C1263	4030016930	S.CER C1005 JB 1A 104K-T	T	243.1/31.4
C1264	4030016930	S.CER C1005 JB 1A 104K-T	T	234.0/28.2
C1265	4030016930	S.CER C1005 JB 1A 104K-T	T	234.3/22.6
C1266	4030016930	S.CER C1005 JB 1A 104K-T	T	244.2/11.5
C1267	4030016930	S.CER C1005 JB 1A 104K-T	T	249.0/12.3
C1268	4030009990	S.CER C1608 CH 1H 200J-T	T	254.9/29.0
C1281	4030016790	S.CER C1005 JB 1E 103K-T	T	180.2/29.8
C2001	4030017660	S.CER C1005 CH 1H 330J-T	T	28.5/39.6
C2002	4030017770	S.CER C1005 JB 1H 332K-T	T	27.5/48.3
C2003	4030017770	S.CER C1005 JB 1H 332K-T	T	27.5/39.6
C2004	4030019990	S.CER C1005 JB 1C 104K-T	T	26.6/42.8
C2005	4030019990	S.CER C1005 JB 1C 104K-T	T	27.0/46.2
C2006	4030019990	S.CER C1005 JB 1C 104K-T	T	27.0/47.1
C2007	4030017430	S.CER C1005 CH 1H 101J-T	T	26.6/39.6
C2008	4030017660	S.CER C1005 CH 1H 330J-T	T	29.3/50.8
C2009	4030017430	S.CER C1005 CH 1H 101J-T	T	26.6/48.3
C2010	4030018980	S.CER C1608 JB 1H 104K-T	T	16.3/39.8
C2011	4030018980	S.CER C1608 JB 1H 104K-T	T	15.5/48.2
C2012	4030019560	S.CER GRM21BB31C106KE15L	T	14.7/46.0
C2013	4030019560	S.CER GRM21BB31C106KE15L	T	14.7/42.7
C2014	4030019990	S.CER C1005 JB 1C 104K-T	T	16.2/45.6
C2015	4030019990	S.CER C1005 JB 1C 104K-T	T	16.2/43.0
C2016	4030018970	S.CER C3225 JB 1C 226MT-N	T	10.3/44.3
C2017	4030019560	S.CER GRM21BB31C106KE15L	T	26.6/36.7
C2018	4030019560	S.CER GRM21BB31C106KE15L	T	26.6/35.0
C2019	4030019560	S.CER GRM21BB31C106KE15L	T	23.9/56.1
C2020	4030019560	S.CER GRM21BB31C106KE15L	T	22.1/56.1
C2021	4030018970	S.CER C3225 JB 1C 226MT-N	T	10.3/41.3
C2102	4550006780	S.TAN TEESVB2 0J 476M8R	B	117.4/8.2
C2103	4510009340	S.ELE EEEHA1C101WP	T	103.3/7.2
C3201	4030011600	S.CER C1608 JB 1E 104K-T	T	48.9/31.3
C3202	4030011600	S.CER C1608 JB 1E 104K-T	T	41.1/33.9
C3205	4030011600	S.CER C1608 JB 1E 104K-T	T	38.6/31.8
C3251	4030017810	S.CER C1608 CH 1H 102J-T	T	60.0/51.8
C3253	4030011600	S.CER C1608 JB 1E 104K-T	T	55.7/47.8
C3271	4030012610	S.CER C2012 JB 1C 474K-T	T	62.4/35.5
C3272	4030019120	S.CER GRM188B31E105KA75D	T	62.5/50.3
C3275	4030019120	S.CER GRM188B31E105KA75D	T	45.2/61.3
C3276	4030019120	S.CER GRM188B31E105KA75D	T	46.4/61.3
C3277	4030019120	S.CER GRM188B31E105KA75D	T	47.6/61.3
C3278	4030019120	S.CER GRM188B31E105KA75D	T	64.9/33.9
C3279	4030011600	S.CER C1608 JB 1E 104K-T	T	52.8/57.3
C3280	4030019560	S.CER GRM21BB31C106KE15L	T	42.6/51.8
C3282	4030007010	S.CER C1608 CH 1H 100D-T	T	48.6/55.1
C3283	4030019120	S.CER GRM188B31E105KA75D	T	42.2/57.1
C3284	4030011600	S.CER C1608 JB 1E 104K-T	T	45.6/55.2
C3286	4030019120	S.CER GRM188B31E105KA75D	T	62.0/37.1
C3401	4510009910	S.ELE 16 CE 10 LH	T	119.2/63.7
C3402	4030019120	S.CER GRM188B31E105KA75D	B	125.5/62.5
C3403	4030017810	S.CER C1608 CH 1H 102J-T	T	125.7/61.6
C3404	4030019120	S.CER GRM188B31E105KA75D	B	125.5/60.3
C3405	4030019560	S.CER GRM21BB31C106KE15L	T	120.6/57.4
C3406	4030019560	S.CER GRM21BB31C106KE15L	T	122.6/52.1
C3407	4030007120	S.CER C1608 CH 1H 820J-T	T	125.7/52.3
C3409	4030019560	S.CER GRM21BB31C106KE15L	B	121.4/56.0
C3410	4550003220	S.TAN TEESVA 1E 105M8R	T	122.6/50.0
C3411	4030011600	S.CER C1608 JB 1E 104K-T	T	124.6/47.9

[MAIN UNIT]

REF NO.	PARTS NO.	DESCRIPTION	M.	H/V LOCATION
C3412	4510009250	S.ELE EEEFK1C471P	T	130.7/47.7
C3413	4510009250	S.ELE EEEFK1C471P	T	121.9/42.2
C3421	4030011600	S.CER C1608 JB 1E 104K-T	T	129.1/61.6
C3422	4030011600	S.CER C1608 JB 1E 104K-T	T	135.0/56.0
C3431	4030017770	S.CER C1005 JB 1H 332K-T	T	141.0/45.4
C3432	4030017030	S.CER C1005 JB 1A 273K-T	T	140.7/46.6
C3433	4030017450	S.CER C1005 JB 1H 271K-T	T	141.7/49.0
C3434	4030016940	S.CER C1005 JB 1A 393K-T	T	143.2/46.0
C3435	4030016930	S.CER C1005 JB 1A 104K-T	T	141.0/39.8
C3441	4030019560	S.CER GRM21BB31C106KE15L	B	133.2/57.1
C3442	4030019560	S.CER GRM21BB31C106KE15L	B	132.9/60.4
C3443	4030019560	S.CER GRM21BB31C106KE15L	B	133.2/52.5
C3450	4030011330	S.CER C1608 CH 1H 391J-T	B	137.6/53.6
C3451	4030018620	S.CER C1608 CH 1H 222J-T	B	139.7/61.3
C3452	4030011280	S.CER C1608 CH 1H 271J-T	B	139.7/59.7
C3453	4030018620	S.CER C1608 CH 1H 222J-T	T	136.2/59.2
C3454	4030017810	S.CER C1608 CH 1H 102J-T	T	137.5/59.2
C3455	4030017870	S.CER C1608 CH 1H 681J-T	B	137.9/58.0
C3456	4030007120	S.CER C1608 CH 1H 820J-T	B	137.9/56.4
C3457	4030017800	S.CER C1608 CH 1H 561J-T	T	138.7/48.6
C3458	4030018620	S.CER C1608 CH 1H 222J-T	B	137.6/50.9
C3459	4030019570	S.CER C1608 CH 1H 332J-T	B	137.6/49.3
C3460	4030007010	S.CER C1608 CH 1H 100D-T	T	139.9/48.6
C3461	4030019560	S.CER GRM21BB31C106KE15L	T	136.2/50.3
C3473	4030019560	S.CER GRM21BB31C106KE15L	B	141.1/51.0
C3475	4030019560	S.CER GRM21BB31C106KE15L	B	141.1/53.7
C3535	4030006860	S.CER C1608 JB 1H 102K-T	B	111.6/48.8
C3539	4030011600	S.CER C1608 JB 1E 104K-T	T	116.9/50.7
C3540	4030011600	S.CER C1608 JB 1E 104K-T	T	110.0/65.3
C3541	4030011600	S.CER C1608 JB 1E 104K-T	B	107.3/46.6
C3542	4030011600	S.CER C1608 JB 1E 104K-T	B	102.6/54.0
C3543	4030017420	S.CER C1005 CH 1H 470J-T	T	114.5/62.3
C3545	4030017420	S.CER C1005 CH 1H 470J-T	T	113.0/53.8
C3601	4030019560	S.CER GRM21BB31C106KE15L	B	83.6/42.7
C3604	4030019560	S.CER GRM21BB31C106KE15L	B	89.1/35.4
C3606	4030018590	S.CER C1608 CH 1H 122J-T	T	88.4/42.4
C3607	4030018600	S.CER C1608 CH 1H 152J-T	T	83.2/42.6
C3608	4030007140	S.CER C1608 CH 1H 121J-T	T	83.2/41.3
C3609	4030011330	S.CER C1608 CH 1H 391J-T	T	85.9/41.6
C3610	4030018620	S.CER C1608 CH 1H 222J-T	T	86.0/38.7
C3611	4030018620	S.CER C1608 CH 1H 222J-T	T	84.4/38.7
C3612	4030011280	S.CER C1608 CH 1H 271J-T	T	88.1/38.8
C3621	4030011600	S.CER C1608 JB 1E 104K-T	T	85.7/35.4
C3622	4030019560	S.CER GRM21BB31C106KE15L	B	82.4/30.2
C3623	4030011600	S.CER C1608 JB 1E 104K-T	B	84.7/30.5
C3624	4030017810	S.CER C1608 CH 1H 102J-T	T	88.5/35.9
C3625	4030011600	S.CER C1608 JB 1E 104K-T	T	84.4/33.3
C3626	4030011600	S.CER C1608 JB 1E 104K-T	T	89.1/31.0
C3627	4030016790	S.CER C1005 JB 1E 103K-T	T	84.3/29.6
C3631	4030011600	S.CER C1608 JB 1E 104K-T	B	73.4/27.5
C3632	4030011600	S.CER C1608 JB 1E 104K-T	T	80.7/30.1
C3633	4030019560	S.CER GRM21BB31C106KE15L	T	79.2/30.1
C3634	4030011600	S.CER C1608 JB 1E 104K-T	T	75.8/28.0
C3635	4030016790	S.CER C1005 JB 1E 103K-T	T	74.1/32.8
C3636	4030019560	S.CER GRM21BB31C106KE15L	B	75.9/28.2
C3652	4030006900	S.CER C1608 JB 1H 103K-T	B	86.3/50.2
C3653	4030016790	S.CER C1005 JB 1E 103K-T	T	79.9/44.2
C3654	4030011600	S.CER C1608 JB 1E 104K-T	T	82.3/52.3
C3655	4030019560	S.CER GRM21BB31C106KE15L	T	82.5/53.9
C3656	4030011600	S.CER C1608 JB 1E 104K-T	T	84.6/48.8
C3657	4030007090	S.CER C1608 CH 1H 470J-T	T	80.4/50.0
C3675	4030016790	S.CER C1005 JB 1E 103K-T	T	95.3/52.7
C3676	4030016790	S.CER C1005 JB 1E 103K-T	T	85.6/52.3
C3677	4030016790	S.CER C1005 JB 1E 103K-T	T	91.1/54.1
C3692	4030007110	S.CER C1608 CH 1H 680J-T	T	68.3/70.7
C3693	4030007140	S.CER C1608 CH 1H 121J-T	T	70.6/69.5
C3694	4030007110	S.CER C1608 CH 1H 680J-T	T	70.9/70.7
C3695	4030007080	S.CER C16		

[MAIN UNIT]

REF NO.	PARTS NO.	DESCRIPTION	M.	H/V LOCATION
C4028	4030016930	S.CER C1005 JB 1A 104K-T	T	237.3/70.1
C4029	4030016930	S.CER C1005 JB 1A 104K-T	T	235.7/69.4
C4030	4030016930	S.CER C1005 JB 1A 104K-T	T	236.2/35.5
C4031	4030016930	S.CER C1005 JB 1A 104K-T	T	233.5/35.5
C4032	4030016930	S.CER C1005 JB 1A 104K-T	T	233.7/69.4
C4033	4030016930	S.CER C1005 JB 1A 104K-T	T	231.5/69.4
C4034	4030016930	S.CER C1005 JB 1A 104K-T	T	229.9/70.1
C4035	4030016930	S.CER C1005 JB 1A 104K-T	T	229.5/35.3
C4036	4030016930	S.CER C1005 JB 1A 104K-T	T	227.2/35.3
C4038	4030016930	S.CER C1005 JB 1A 104K-T	T	225.8/71.5
C4039	4030016930	S.CER C1005 JB 1A 104K-T	T	224.5/71.5
C4040	4030016930	S.CER C1005 JB 1A 104K-T	T	223.1/71.5
C4041	4030016930	S.CER C1005 JB 1A 104K-T	T	221.4/34.2
C4042	4030016930	S.CER C1005 JB 1A 104K-T	T	220.7/70.1
C4043	4030016930	S.CER C1005 JB 1A 104K-T	T	219.9/34.2
C4044	4030016930	S.CER C1005 JB 1A 104K-T	T	218.9/34.9
C4045	4030016930	S.CER C1005 JB 1A 104K-T	T	217.9/34.9
C4046	4030016930	S.CER C1005 JB 1A 104K-T	T	216.6/34.9
C4047	4030016930	S.CER C1005 JB 1A 104K-T	T	215.7/34.2
C4048	4030016930	S.CER C1005 JB 1A 104K-T	T	216.7/69.3
C4049	4030016930	S.CER C1005 JB 1A 104K-T	T	211.5/42.8
C4050	4030016930	S.CER C1005 JB 1A 104K-T	T	210.7/47.5
C4051	4030016930	S.CER C1005 JB 1A 104K-T	T	212.0/52.9
C4052	4030016930	S.CER C1005 JB 1A 104K-T	T	211.7/60.5
C4053	4030016930	S.CER C1005 JB 1A 104K-T	T	212.6/62.2
C4054	4030019560	S.CER GRM21BB31C106KE15L	T	228.1/33.9
C4055	4030016930	S.CER C1005 JB 1A 104K-T	T	211.7/39.5
C4056	4030016930	S.CER C1005 JB 1A 104K-T	T	211.7/40.4
C4057	4030016930	S.CER C1005 JB 1A 104K-T	T	211.7/41.3
C4058	4030016930	S.CER C1005 JB 1A 104K-T	T	210.6/46.2
C4059	4030016930	S.CER C1005 JB 1A 104K-T	T	210.6/48.5
C4060	4030016930	S.CER C1005 JB 1A 104K-T	T	212.8/54.5
C4061	4030016930	S.CER C1005 JB 1A 104K-T	T	212.5/58.6
C4062	4030017460	S.CER C1005 JB 1H 102K-T	T	228.3/69.4
C4063	4030016930	S.CER C1005 JB 1A 104K-T	T	212.6/64.4
C4064	4030016790	S.CER C1005 JB 1E 103K-T	T	228.3/70.6
C4065	4030016930	S.CER C1005 JB 1A 104K-T	T	228.3/71.4
C4069	4030019560	S.CER GRM21BB31C106KE15L	T	208.2/58.5
C4208	4030016930	S.CER C1005 JB 1A 104K-T	T	255.0/36.3
C4209	4030019560	S.CER GRM21BB31C106KE15L	T	255.1/38.9
C4210	4030016930	S.CER C1005 JB 1A 104K-T	T	255.6/40.3
C4401	4030019560	S.CER GRM21BB31C106KE15L	B	154.8/26.1
C4402	4030019560	S.CER GRM21BB31C106KE15L	B	157.4/16.8
C4403	4030019560	S.CER GRM21BB31C106KE15L	B	159.6/30.5
C4404	4030019560	S.CER GRM21BB31C106KE15L	B	145.2/39.4
C4405	4030019560	S.CER GRM21BB31C106KE15L	T	162.9/22.1
C4406	4030019560	S.CER GRM21BB31C106KE15L	T	148.9/20.9
C4415	4030019560	S.CER GRM21BB31C106KE15L	T	164.7/20.1
C4421	4030019560	S.CER GRM21BB31C106KE15L	B	146.6/29.3
C4422	4030019560	S.CER GRM21BB31C106KE15L	B	153.4/29.3
C4423	4030011600	S.CER C1608 JB 1E 104K-T	T	161.2/21.9
C4424	4030019560	S.CER GRM21BB31C106KE15L	T	149.8/24.7
C4427	4030017810	S.CER C1608 CH 1H 102J-T	T	157.7/25.1
C4434	4030011600	S.CER C1608 JB 1E 104K-T	B	145.6/35.8
C4435	4030011600	S.CER C1608 JB 1E 104K-T	B	155.9/37.1
C4436	4030011600	S.CER C1608 JB 1E 104K-T	T	151.5/21.9
C4437	4030017870	S.CER C1608 CH 1H 681J-T	B	149.1/38.0
C4438	4030017870	S.CER C1608 CH 1H 681J-T	B	152.3/38.0
C4439	4030017810	S.CER C1608 CH 1H 102J-T	T	154.9/25.1
C4448	4030018620	S.CER C1608 CH 1H 222J-T	T	156.3/32.1
C4451	4030018620	S.CER C1608 CH 1H 222J-T	T	150.8/41.7
C4461	4550006780	S.TAN TEESVB2 0J 476M8R	T	159.9/46.7
C4462	4030016930	S.CER C1005 JB 1A 104K-T	T	153.2/45.2
C4463	4030016930	S.CER C1005 JB 1A 104K-T	T	154.1/46.1
C4464	4030016930	S.CER C1005 JB 1A 104K-T	T	154.1/39.3
C4465	4030019560	S.CER GRM21BB31C106KE15L	T	159.6/52.9
C4466	4030016930	S.CER C1005 JB 1A 104K-T	T	159.0/51.4
C4467	4030019560	S.CER GRM21BB31C106KE15L	T	171.9/47.5
C4468	4030016930	S.CER C1005 JB 1A 104K-T	T	159.5/35.0
C4469	4030016930	S.CER C1005 JB 1A 104K-T	T	170.5/47.0
C4470	4030016930	S.CER C1005 JB 1A 104K-T	T	159.0/50.5
C4471	4030016930	S.CER C1005 JB 1A 104K-T	T	169.6/47.0
C4472	4030016930	S.CER C1005 JB 1A 104K-T	T	169.0/38.3
C4473	4030019560	S.CER GRM21BB31C106KE15L	T	156.1/51.2
C4474	4030016930	S.CER C1005 JB 1A 104K-T	T	156.6/49.8
C4484	4030006900	S.CER C1608 JB 1H 103K-T	B	156.9/47.5
C4486	4030019570	S.CER C1608 CH 1H 332J-T	B	164.8/54.9
C4489	4030018620	S.CER C1608 CH 1H 222J-T	B	164.7/56.5
C4491	4340000490	S.MYL ECHU 1C 153JX5	T	154.6/57.2
C4492	4030017810	S.CER C1608 CH 1H 102J-T	B	151.8/45.4
C4493	4030018580	S.CER C1608 CH 1H 821J-T	B	163.8/66.3
C4494	4030017810	S.CER C1608 CH 1H 102J-T	B	152.9/50.8
C4495	4030018580	S.CER C1608 CH 1H 821J-T	B	164.0/60.0
C4496	4030018620	S.CER C1608 CH 1H 222J-T	B	151.5/62.2
C4499	4030018620	S.CER C1608 CH 1H 222J-T	B	152.1/58.8
C4500	4030019560	S.CER GRM21BB31C106KE15L	B	147.0/53.1
C4501	4030019560	S.CER GRM21BB31C106KE15L	B	148.3/45.7
C4502	4030019560	S.CER GRM21BB31C106KE15L	B	159.9/64.4
C4503	4030019560	S.CER GRM21BB31C106KE15L	B	155.3/64.7
C4504	4030011600	S.CER C1608 JB 1E 104K-T	B	97.8/29.8
C4505	4030019560	S.CER GRM21BB31C106KE15L	B	97.1/27.8
C4601	4030019560	S.CER GRM21BB31C106KE15L	T	112.3/23.6
C4602	4030019560	S.CER GRM21BB31C106KE15L	T	108.0/35.4
C4603	4030019560	S.CER GRM21BB31C106KE15L	B	118.5/54.9
C4604	4030019560	S.CER GRM21BB31C106KE15L	B	122.9/47.3
C4605	4030019560	S.CER GRM21BB31C106KE15L	B	119.9/43.6
C4606	4030019560	S.CER GRM21BB31C106KE15L	B	130.3/36.6
C4607	4030011600	S.CER C1608 JB 1E 104K-T	T	118.6/48.4
C4608	4030011600	S.CER C1608 JB 1E 104K-T	T	112.8/48.8
C4609	4030019120	S.CER GRM188B31E105KA75D	B	113.8/42.9
C4610	4030019120	S.CER GRM188B31E105KA75D	B	125.4/43.9
C4611	4030019560	S.CER GRM21BB31C106KE15L	B	124.9/35.0
C4612	4030019560	S.CER GRM21BB31C106KE15L	T	104.6/28.4
C4613	4030019560	S.CER GRM21BB31C106KE15L	T	105.4/31.9
C4614	4030011600	S.CER C1608 JB 1E 104K-T	B	123.0/35.3

[MAIN UNIT]

REF NO.	PARTS NO.	DESCRIPTION	M.	H/V LOCATION
C4615	4030011600	S.CER C1608 JB 1E 104K-T	B	121.4/35.3
C4616	4030011280	S.CER C1608 CH 1H 271J-T	B	117.1/39.8
C4617	4030011280	S.CER C1608 CH 1H 271J-T	B	126.8/40.9
C4618	4030020020	S.CER C1005 CH 1H 391J-T	T	112.9/28.1
C4619	4030007090	S.CER C1608 CH 1H 470J-T	T	112.9/32.4
C4620	4030018620	S.CER C1608 CH 1H 222J-T	T	115.9/31.6
C4621	4030018620	S.CER C1608 CH 1H 222J-T	B	122.9/31.2
C4651	4030016930	S.CER C1005 JB 1A 104K-T	T	120.2/26.1
C4652	4030016930	S.CER C1005 JB 1A 104K-T	T	123.8/25.2
C4653	4030016930	S.CER C1005 JB 1A 104K-T	T	123.8/24.2
C4654	4030019560	S.CER GRM21BB31C106KE15L	T	124.3/22.8
C4655	4030019560	S.CER GRM21BB31C106KE15L	T	119.6/24.6
C4656	4030019560	S.CER GRM21BB31C106KE15L	T	128.3/38.8
C4657	4030016930	S.CER C1005 JB 1A 104K-T	T	124.5/37.3
C4658	4030016930	S.CER C1005 JB 1A 104K-T	T	124.5/36.4
C4661	4030019560	S.CER GRM21BB31C106KE15L	B	106.0/38.9
C4662	4030019560	S.CER GRM21BB31C106KE15L	B	109.8/31.1
C4663	4030019120	S.CER GRM188B31E105KA75D	B	113.5/25.9
C4664	4030011600	S.CER C1608 JB 1E 104K-T	B	114.9/30.7
C4665	4030019120	S.CER GRM188B31E105KA75D	B	113.5/27.5
C4666	4030018620	S.CER C1608 CH 1H 222J-T	B	116.7/34.7
C4667	4030018620	S.CER C1608 CH 1H 152J-T	B	107.5/26.7
C4668	4030011340	S.CER C1608 CH 1H 471J-T	B	102.1/31.5
C4669	4030017870	S.CER C1608 CH 1H 681J-T	B	112.0/33.4
C4670	4030011340	S.CER C1608 CH 1H 471J-T	B	102.3/35.0
C4671	4030017870	S.CER C1608 CH 1H 681J-T	B	112.0/36.3
C6101	4030011600	S.CER C1608 JB 1E 104K-T	B	187.4/72.1
C6102	4030011600	S.CER C1608 JB 1E 104K-T	B	169.3/25.5
C6103	4030011600	S.CER C1608 JB 1E 104K-T	B	169.6/64.4
J3	6510021561	S.CON 52808-2470 (2490)	T	74.8/13.5
J5	6510022472	S.CON 40FLT-SM2-TB(LF)(SN)(M)	T	189.2/44.1
J6	6510026180	S.CON S12B-PH-SM4-TB(LF)(SN)	T	184.2/71.8
J7	6510022710	S.CON S5B-ZR-SM4A-TF(LF)(SN)	T	118.9/72.8
J8	6510022472	S.CON 40FLT-SM2-TB(LF)(SN)(M)	T	186.3/59.7
J9	6510024111	S.CON 52793-2070 (2090)	T	44.3/72.9
J10	6510027500	S.CON S11B-PH-SM4-TB(LF)(SN)	T	50.4/5.2
J11	6510024111	S.CON 52793-2070 (2090)	T	21.5/4.1
J1122	6510019971	S.CON 52808-1071	T	146.2/6.4
J3201	6510018450	CON TMP-S01X-B1		
J3203	6510018301	S.CON S2B-ZR-SM4A-TF(LF)(SN)	T	104.0/72.8
J3621	6510018450	CON TMP-S01X-B1		
J3671	6510018450	CON TMP-S01X-B1		
J3911	6510018450	CON TMP-S01X-B1		
EP51	6910014640	S.BEA MPZ2012S221A-T	T	199.8/40.3
EP52	6910014640	S.BEA MPZ2012S221A-T	T	198.0/40.3
EP55	6910012350	S.BEA MMZ1608Y 102BT	T	186.9/40.7
EP56	6910018460	S.BEA MMZ1005Y102C-T	T	196.0/41.2
EP57	6910018460	S.BEA MMZ1005Y102C-T	T	195.5/47.1
EP58	6910018460	S.BEA MMZ1005Y102C-T	T	195.0/41.2
EP101	6910018460	S.BEA MMZ1005Y102C-T	T	155.2/64.5
EP102	6910018460	S.BEA MMZ1005Y102C-T	T	153.2/64.5
EP103	6910014640	S.BEA MPZ2012S221A-T	T	142.2/63.7
EP104	6910014640	S.BEA MPZ2012S221A-T	T	139.2/63.7
EP105	6910018460	S.BEA MMZ1005Y102C-T	T	135.2/64.0
EP121	6910014640	S.BEA MPZ2012S221A-T	T	122.3/66.5
EP122	6910018460	S.BEA MMZ1005Y102C-T	T	120.4/67.2
EP124	6910018460	S.BEA MMZ1005Y102C-T	T	117.4/67.4
EP141	6910014640	S.BEA MPZ2012S221A-T	T	185.8/64.6
EP142	6910014640	S.BEA MPZ2012S221A-T	T	187.5/64.6
EP143	6910014640	S.BEA MPZ2012S221A-T	T	187.1/55.8
EP144	6910014640	S.BEA MPZ2012S221A-T	T	188.8/55.8
EP145	6910014640	S.BEA MPZ2012S221A-T	T	190.6/55.8
EP146	6910014640	S.BEA MPZ2012S221A-T	T	192.5/55.8
EP204	6910014640	S.BEA MPZ2012S221A-T	T	40.8/66.0
EP206	6910014640	S.BEA MPZ2012S221A-T	T	38.8/66.0
EP208	6910014640	S.BEA MPZ2012S221A-T	T	36.8/66.0
EP213	6910014640	S.BEA MPZ2012S221A-T	T	44.4/13.0
EP214	6910014640	S.BEA MPZ2012S221A-T	T	46.4/13.0
EP215	6910014640	S.BEA MPZ2012S221A-T		

[CONNECT UNIT]

REF NO.	PARTS NO.	DESCRIPTION	M.	H/V LOCATION
IC22	1130011760	S.IC CD4094BPWR	T	78.8/6.6
IC151	1110004310	S.IC M62352GP 75EC	T	88.5/6.9
IC211	1110000960	S.IC NJM4558M-TE1-#FMZB	T	137.9/10.9
IC221	1110003870	S.IC NJM2058M-TE1-#ZZZB	B	137.0/13.9
IC251	1110006380	S.IC LM2904PWR	T	139.2/3.4
IC301	1110006300	S.IC NJM2172V-TE1-#ZZZB	T	152.7/8.9
IC351	1110007700	IC LA4600-E		
IC401	1110000960	S.IC NJM4558M-TE1-#FMZB	T	41.9/6.5
IC502	1110000960	S.IC NJM4558M-TE1-#FMZB	T	48.3/16.6
IC521	1130013110	S.IC KIC7W53FK-RTK/P	T	37.6/20.1
IC551	1190002240	S.IC PCM2901E/2K	T	22.4/20.8
IC571	1130012260	S.IC SN74AHC1G32DCKR	T	12.9/20.4
IC611	1130013100	S.IC KIC7W14FK RTK/P	T	67.4/29.2
IC621	1130005252	S.IC TC74HC08AF(ELF)	T	74.3/28.5
IC701	1180003480	S.REG NJU7772F33-TE1-#ZZZB	T	40.0/14.4
IC901	1190002730	S.IC CP2102-GMR <MAC>	T	59.0/31.5
IC902	1190002911	S.IC TUSB2046BIVFRG4	T	16.6/34.5
Q151	1540000451	S.TRA 2SD1623T-TD-E	T	28.0/6.3
Q231	1590001451	S.FET 2S1144-GR (TE85RF)	T	126.7/9.9
Q321	1560001330	S.FET RSO25N03	B	179.1/29.0
Q326	1560001330	S.FET RSO25N03	B	171.0/25.9
Q331	1560001330	S.FET RSO25N03	B	161.1/27.9
Q351	1590003680	S.TRA KRC402 RTK/P	T	184.5/21.5
Q352	1540000471	S.TRA 2SD1801S-TL-E	B	172.6/8.5
Q353	1590003680	S.TRA KRC402 RTK/P	T	184.5/24.2
Q501	1590001451	S.FET 2S1144-GR (TE85RF)	T	57.0/16.9
Q521	1590003680	S.TRA KRC402 RTK/P	T	44.0/23.5
Q611	1590004390	S.TRA DMG504010R	T	84.2/28.2
Q651	1590003680	S.TRA KRC402 RTK/P	B	12.9/20.9
Q901	1590003680	S.TRA KRC402 RTK/P	T	53.2/26.6
Q1101	1530003900	S.TRA KTC4075 BL-RTK/P	T	100.9/35.1
Q1106	1530003900	S.TRA KTC4075 BL-RTK/P	T	100.9/41.2
Q1111	1590003680	S.TRA KRC402 RTK/P	T	97.0/41.9
Q1401	1590003680	S.TRA KRC402 RTK/P	T	97.0/41.9
Q1411	1590003770	S.TRA KRA302E-RTK/P	T	105.8/33.0
Q1412	1540000441	S.TRA 2SD1619T-TD-E	T	116.4/27.9
Q1421	1530003900	S.TRA KTC4075 BL-RTK/P	T	110.7/32.9
D261	1750001320	S.DIO KDS4148U RTK/P	T	131.6/4.1
D501	1750001320	S.DIO KDS4148U RTK/P	T	146.9/3.1
D502	1730002830	S.ZEN DZJ051MOL	B	45.4/17.1
D521	1730002830	S.ZEN DZJ051MOL	B	39.6/22.0
D611	1750001320	S.DIO KDS4148U RTK/P	T	82.2/31.2
D621	1750001710	S.DIO RB751V-40 TE-17	T	66.2/23.9
D622	1750001710	S.DIO RB751V-40 TE-17	T	78.2/34.0
D901	1750001180	S.DIO KDS122 RTK/P	T	24.8/43.5
D902	1750001180	S.DIO KDS122 RTK/P	T	22.0/43.5
D1101	1750001320	S.DIO KDS4148U RTK/P	T	97.3/38.0
D1106	1750001320	S.DIO KDS4148U RTK/P	B	103.9/43.1
D1401	1750001320	S.DIO KDS4148U RTK/P	B	75.7/39.8
D1421	1750001320	S.DIO KDS4148U RTK/P	T	117.5/33.9
X551	6050012770	S.XTA CR-870 DSX321G 12 MHz<KDS>	T	30.9/20.0
X901	6050012970	S.XTA CR-890 TSS-2 6 MHz	T	27.3/33.9
L304	6200002041	S.COI NLV25T-101J	T	54.8/66.3
L351	6170000140	COI LW-15		
L1102	6200002041	S.COI NLV25T-101J	T	100.8/37.55
L1103	6200002041	S.COI NLV25T-101J	T	93.3/28.4
L1106	6200002041	S.COI NLV25T-101J	B	114.3/45.2
L1107	6200002041	S.COI NLV25T-101J	B	118.5/43.2
L1109	6200002041	S.COI NLV25T-101J	B	110.4/46.1
L1301	6200003261	S.COI NLV32T-101J	B	49.2/32.3
L1401	6200002041	S.COI NLV25T-101J	B	82.1/44.3
R22	7030003320	S.RES ERJ3GEYJ 101 V (100)	T	80.0/11.7
R100	7030003860	S.RES ERJ3GE JPW V	T	161.1/40.1
R151	7030003400	S.RES ERJ3GEYJ 471 V (470)	T	31.1/7.3
R201	7030003650	S.RES ERJ3GEYJ 563 V (56K)	T	131.8/10.4
R208	7030003480	S.RES ERJ3GEYJ 222 V (2.2K)	B	149.3/15.6
R210	7030003620	S.RES ERJ3GEYJ 333 V (33K)	T	139.9/7.4
R214	7030003680	S.RES ERJ3GEYJ 104 V (100K)	B	125.8/16.7
R221	7030003700	S.RES ERJ3GEYJ 154 V (150K)	B	131.1/7.0
R222	7030003700	S.RES ERJ3GEYJ 154 V (150K)	B	133.5/7.6
R223	7030003700	S.RES ERJ3GEYJ 154 V (150K)	T	133.3/13.6
R224	7030003320	S.RES ERJ3GEYJ 101 V (100)	T	132.2/7.2
R225	7030003320	S.RES ERJ3GEYJ 101 V (100)	T	143.2/14.5
R232	7030003560	S.RES ERJ3GEYJ 103 V (10K)	B	131.9/18.0
R233	7030003460	S.RES ERJ3GEYJ 152 V (1.5K)	T	133.2/15.4
R234	7030003560	S.RES ERJ3GEYJ 103 V (10K)	T	127.8/12.4
R235	7030003560	S.RES ERJ3GEYJ 103 V (10K)	T	126.7/7.4
R236	7030003440	S.RES ERJ3GEYJ 102 V (1K)	T	125.4/7.4
R237	7030003480	S.RES ERJ3GEYJ 222 V (2.2K)	T	124.7/12.1
R239	7030003580	S.RES ERJ3GEYJ 153 V (15K)	T	129.2/10.1
R241	7030003320	S.RES ERJ3GEYJ 101 V (100)	T	130.1/13.2
R242	7030003320	S.RES ERJ3GEYJ 101 V (100)	B	144.7/13.7
R261	7030003790	S.RES ERJ3GEYJ 824 V (820K)	T	133.2/3.8
R262	7030003510	S.RES ERJ3GEYJ 392 V (3.9K)	T	134.4/3.8
R263	7030003560	S.RES ERJ3GEYJ 103 V (10K)	T	135.2/5.7
R264	7030003460	S.RES ERJ3GEYJ 152 V (1.5K)	B	135.8/4.9
R271	7030003320	S.RES ERJ3GEYJ 101 V (100)	T	132.9/1.5
R283	7030003740	S.RES ERJ3GEYJ 334 V (330K)	B	141.6/6.4
R284	7030003800	S.RES ERJ3GEYJ 105 V (1M)	T	143.7/11.7
R285	7030003740	S.RES ERJ3GEYJ 334 V (330K)	T	142.6/7.7
R286	7030003440	S.RES ERJ3GEYJ 102 V (1K)	B	127.3/8.6
R287	7030003590	S.RES ERJ3GEYJ 183 V (18K)	B	129.9/9.4
R288	7030003560	S.RES ERJ3GEYJ 103 V (10K)	B	127.3/10.3
R301	7030003520	S.RES ERJ3GEYJ 472 V (4.7K)	B	160.0/23.0
R302	7030003440	S.RES ERJ3GEYJ 102 V (1K)	B	183.1/32.5

[CONNECT UNIT]

REF NO.	PARTS NO.	DESCRIPTION	M.	H/V LOCATION
R303	7030003600	S.RES ERJ3GEYJ 223 V (22K)	T	157.7/4.8
R304	7030003590	S.RES ERJ3GEYJ 183 V (18K)	T	155.1/4.9
R305	7030003590	S.RES ERJ3GEYJ 183 V (18K)	T	153.9/4.8
R306	7030003590	S.RES ERJ3GEYJ 183 V (18K)	T	158.7/8.0
R307	7030003560	S.RES ERJ3GEYJ 103 V (10K)	T	159.9/7.8
R308	7030003560	S.RES ERJ3GEYJ 103 V (10K)	B	152.7/6.4
R311	7030003520	S.RES ERJ3GEYJ 472 V (4.7K)	B	162.9/13.7
R312	7030003440	S.RES ERJ3GEYJ 102 V (1K)	B	184.8/27.3
R316	7030003590	S.RES ERJ3GEYJ 183 V (18K)	T	148.2/7.5
R317	7030003560	S.RES ERJ3GEYJ 103 V (10K)	T	145.8/7.5
R318	7030003560	S.RES ERJ3GEYJ 103 V (10K)	B	149.8/7.4
R321	7030003560	S.RES ERJ3GEYJ 103 V (10K)	T	160.5/32.4
R322	7030003680	S.RES ERJ3GEYJ 104 V (100K)	B	176.1/28.3
R326	7030003560	S.RES ERJ3GEYJ 103 V (10K)	T	160.5/31.2
R327	7030003680	S.RES ERJ3GEYJ 104 V (100K)	B	174.2/26.4
R331	7030003560	S.RES ERJ3GEYJ 103 V (10K)	T	160.5/30.0
R351	7030003560	S.RES ERJ3GEYJ 103 V (10K)	T	186.6/22.1
R352	7030003480	S.RES ERJ3GEYJ 222 V (2.2K)	T	185.9/30.9
R353	7030003380	S.RES ERJ3GEYJ 331 V (330)	T	186.6/25.0
R359	7030003280	S.RES ERJ3GEYJ 470 V (47)	B	167.7/13.5
R400	7030003640	S.RES ERJ3GEYJ 473 V (47K)	T	48.1/5.0
R401	7030003680	S.RES ERJ3GEYJ 104 V (100K)	T	46.8/6.3
R402	7030003680	S.RES ERJ3GEYJ 104 V (100K)	T	42.9/2.8
R403	7030003400	S.RES ERJ3GEYJ 471 V (470)	T	48.1/7.8
R412	7030003680	S.RES ERJ3GEYJ 104 V (100K)	B	145.9/17.8
R413	7030003560	S.RES ERJ3GEYJ 103 V (10K)	B	151.8/18.5
R414	7030003600	S.RES ERJ3GEYJ 223 V (22K)	B	151.8/17.0
R415	7030003680	S.RES ERJ3GEYJ 104 V (100K)	B	142.4/17.0
R417	7030003540	S.RES ERJ3GEYJ 682 V (6.8K)	B	134.7/19.8
R418	7030003320	S.RES ERJ3GEYJ 101 V (100)	T	46.8/9.1
R419	7030003320	S.RES ERJ3GEYJ 101 V (100)	T	36.3/4.6
R421	7030003660	S.RES ERJ3GEYJ 683 V (68K)	B	42.1/5.8
R422	7030003660	S.RES ERJ3GEYJ 683 V (68K)	B	42.1/3.7
R423	7030003570	S.RES ERJ3GEYJ 123 V (12K)	T	40.8/9.9
R424	7030003680	S.RES ERJ3GEYJ 104 V (100K)	T	37.0/7.6
R425	7030003400	S.RES ERJ3GEYJ 471 V (470)	T	35.7/7.6
R501	7030003480	S.RES ERJ3GEYJ 222 V (2.2K)	T	58.4/14.7
R502	7030003440	S.RES ERJ3GEYJ 102 V (1K)	T	59.1/16.7
R504	7030003580	S.RES ERJ3GEYJ 153 V (15K)	T	55.0/18.5
R505	7030003790	S.RES ERJ3GEYJ 824 V (820K)	T	145.4/2.8
R506	7030003510	S.RES ERJ3GEYJ 392 V (3.9K)	T	144.1/2.8
R507	7030003460	S.RES ERJ3GEYJ 152 V (1.5K)	B	141.6/4.5
R508	7030003560	S.RES ERJ3GEYJ 103 V (10K)	T	143.4/5.4
R509	7030003560	S.RES ERJ3GEYJ 103 V (10K)	T	54.3/14.8
R510	7030003560	S.RES ERJ3GEYJ 103 V (10K)	B	48.8/15.5
R511	7030003460	S.RES ERJ3GEYJ 152 V (1.5K)	T	41.1/18.0
R512	7030003660	S.RES ERJ3GEYJ 683 V (68K)	T	43.6/18.0
R513	7030003450	S.RES ERJ3GEYJ 122 V (1.2K)	T	39.7/18.9
R515	7030003320	S.RES ERJ3GEYJ 101 V (100)	T	52.7/20.8
R516	7030003400	S.RES ERJ3GEYJ 471 V (470)	T	40.2/21.6
R517	7030003410	S.RES ERJ3GEYJ 561 V (560)	B	42.0/16.1
R521	7030003320	S.RES ERJ3GEYJ 101 V (100)	T	37.6/23.5
R522	7030003560	S.RES ERJ3GEYJ 103 V (10K)	T	41.2/23.5
R523	7030003460	S.RES ERJ3GEYJ 152 V (1.5K)	B	38.4/18.4
R545	7030003560	S.RES ERJ3GEYJ 103 V (10K)	B	27.2/14.4
R551	7030003800	S.RES ERJ3GEYJ 105 V (1M)	T	16.8/21.4
R561	7030003800	S.RES ERJ3GEYJ 105 V (1M)	T	28.8/20.3
R571	7030003320	S.RES ERJ3GEYJ 101 V (100)	T	10.7/23.8
R611	7030003570	S.RES ERJ3GEYJ 123 V (12K)	T	83.3/25.8
R612	7030003860	S.RES ERJ3GE JPW V	T	134.3/47.1
R613	7030003640	S.RES ERJ3GEYJ 473 V (47K)	T	84.2/24.6
R614	7030003680	S.RES ERJ3GEYJ 104 V (100K)	T	66.7/32.4
R616	7030003560	S.RES ERJ3GEYJ 103 V (10K)	T	84.5/30.7
R617	7030003590	S.RES ERJ3GEYJ 183 V (18K)	T	84.5/32.1
R618	7030003860	S.RES ERJ3GE JPW V	T	86.2/27.2
R621	7030003560	S.RES ERJ3GEYJ 103 V (10K)	T	65.1/26.9
R622	7030003560	S.RES ERJ3GEYJ 103 V (10K)	T	74.6/33.9
R651	7030003560	S.RES ERJ3GEYJ 103 V (10K)	B	16.5/23.2
R681	7030003460	S.RES ERJ3GEYJ 152 V (1.5K)	T	12.0/23.2
R702	7030003320	S.RES ERJ3GEYJ 101 V (100)	T	43.2/13.2
R750	7030003440	S.RES ERJ3GEYJ 102 V (1K)	B	136.5/42.0
R901	7030003460	S.RES ERJ3GEYJ 152 V (1.5K)	T	26.8/43.4
R902	7030003520	S.RES ERJ3GEYJ 472 V (4.7K)	B	57.4/29.5
R903	7030003560	S.RES ERJ3GEYJ 103 V (10K)	T	59.0/26.3
R904	7030003460	S.RES ERJ3GEYJ 152 V (1.5K)	T	23.9/33.1
R905	7030003800	S.RES ERJ3GEYJ 105 V (1M)	T	23.9/35.7
R906	7030003680	S.RES ERJ3GEYJ 104 V (100K)	B	17.7/34.6
R907	7030003580	S.RES ERJ3GEYJ 153 V (15K)	B	7.0/35.5
R908	7030003580	S.RES ERJ3GEYJ 153 V (15K)	B	7.0/30.7
R911	7030003250	S.RES ERJ3GEYJ 270 V (27)	B	7.0/33.9
R912	7030003250	S.RES ERJ3GEYJ 270 V (27)	B	7.0/32.3
R913	7030003250	S.RES ERJ3GEYJ 270 V (27)	B	11.3/27.6
R914	7030003250	S.RES ERJ3GEYJ 270 V (27)	B	12.3/29.2
R915	7030003580	S.RES ERJ3GEYJ 153 V (15K)	B	14.6/27.6
R916	7030003580	S.RES ERJ3GEYJ 153 V (15K)	B	15.5/29.2
R921	7030003860	S.RES ERJ3GE JPW V	T	57.0/37.2
R931				

[CONNECT UNIT]

REF NO.	PARTS NO.	DESCRIPTION	M.	H/V LOCATION
R1033	7030003440	S.RES ERJ3GEYJ 102 V (1K)	T	114.2/6.0
R1034	7030003440	S.RES ERJ3GEYJ 102 V (1K)	T	112.9/13.4
R1035	7030003440	S.RES ERJ3GEYJ 102 V (1K)	T	113.0/6.0
R1039	7030003200	S.RES ERJ3GEYJ 100 V (10)	T	99.8/6.0
R1040	7030003200	S.RES ERJ3GEYJ 100 V (10)	T	95.5/13.5
R1101	7030003440	S.RES ERJ3GEYJ 102 V (1K)	T	101.0/37.0
R1102	7030003480	S.RES ERJ3GEYJ 222 V (2.2K)	T	98.9/37.7
R1106	7030003620	S.RES ERJ3GEYJ 333 V (33K)	B	100.1/44.3
R1107	7030003580	S.RES ERJ3GEYJ 153 V (15K)	B	100.8/41.5
R1108	7030003520	S.RES ERJ3GEYJ 472 V (4.7K)	T	96.3/34.3
R1109	7030003520	S.RES ERJ3GEYJ 472 V (4.7K)	B	103.1/45.1
R1111	7030003550	S.RES ERJ3GEYJ 822 V (8.2K)	B	106.6/45.1
R1401	7030003200	S.RES ERJ3GEYJ 100 V (10)	B	79.9/39.8
R1411	7030003340	S.RES ERJ3GEYJ 151 V (150)	T	105.9/31.1
R1412	7030003560	S.RES ERJ3GEYJ 103 V (10K)	T	113.9/30.6
R1421	7030003620	S.RES ERJ3GEYJ 333 V (33K)	T	114.5/33.8
R1422	7030003580	S.RES ERJ3GEYJ 153 V (15K)	T	112.6/33.1
R1423	7030003520	S.RES ERJ3GEYJ 472 V (4.7K)	T	107.6/32.8
R1424	7030003520	S.RES ERJ3GEYJ 472 V (4.7K)	T	116.0/32.2
C22	4030011600	S.CER C1608 JB 1E 104K-T	T	80.0/10.3
C151	4030011600	S.CER C1608 JB 1E 104K-T	T	90.7/11.1
C152	4030006900	S.CER C1608 JB 1H 103K-T	T	32.5/4.4
C153	4030011600	S.CER C1608 JB 1E 104K-T	T	14.7/3.5
C154	4030006860	S.CER C1608 JB 1H 102K-T	T	16.0/3.5
C155	4510009250	S.ELE EEEFK1C471P	T	21.1/5.8
C213	4030011600	S.CER C1608 JB 1E 104K-T	B	122.7/16.6
C214	4030011600	S.CER C1608 JB 1E 104K-T	T	132.5/8.5
C215	4030011600	S.CER C1608 JB 1E 104K-T	B	138.7/6.4
C221	4030006860	S.CER C1608 JB 1H 102K-T	B	135.8/7.8
C222	4030006880	S.CER C1608 JB 1H 472K-T	T	133.3/11.0
C223	4030007080	S.CER C1608 CH 1H 390J-T	T	135.5/14.3
C224	4030019560	S.CER GRM21BB31C106KE15L	T	135.5/7.2
C225	4030019560	S.CER GRM21BB31C106KE15L	T	140.0/14.5
C231	4030006860	S.CER C1608 JB 1H 102K-T	B	130.3/18.0
C232	4030019560	S.CER GRM21BB31C106KE15L	B	128.4/17.7
C233	4030019560	S.CER GRM21BB31C106KE15L	T	125.1/14.4
C234	4030011600	S.CER C1608 JB 1E 104K-T	T	128.0/7.4
C241	4030019560	S.CER GRM21BB31C106KE15L	B	129.4/12.9
C242	4030019560	S.CER GRM21BB31C106KE15L	B	142.8/14.0
C271	4030011600	S.CER C1608 JB 1E 104K-T	T	135.5/1.5
C283	4030006860	S.CER C1608 JB 1H 102K-T	T	143.5/13.0
C284	4030007120	S.CER C1608 CH 1H 820J-T	T	142.5/9.7
C285	4030006850	S.CER C1608 JB 1H 471K-T	B	131.7/9.4
C301	4030019120	S.CER GRM188B31E105KA75D	T	158.6/10.3
C302	4030018910	S.CER C1608 JB 0J 475K-T	T	156.5/4.8
C303	4030006900	S.CER C1608 JB 1H 103K-T	B	184.8/34.2
C304	4030019560	S.CER GRM21BB31C106KE15L	T	153.2/12.6
C305	4030019560	S.CER GRM21BB31C106KE15L	T	147.3/11.7
C307	4030019560	S.CER GRM21BB31C106KE15L	T	149.9/12.6
C308	4030019560	S.CER GRM21BB31C106KE15L	B	152.6/12.2
C309	4030019120	S.CER GRM188B31E105KA75D	B	186.5/37.6
C311	4030019120	S.CER GRM188B31E105KA75D	T	150.0/4.3
C312	4030019120	S.CER GRM188B31E105KA75D	B	186.5/30.2
C313	4030006900	S.CER C1608 JB 1H 103K-T	B	183.1/25.6
C318	4030019560	S.CER GRM21BB31C106KE15L	B	149.6/11.2
C321	4030011600	S.CER C1608 JB 1E 104K-T	B	181.7/29.2
C322	4030008950	S.CER C2012 JB 1C 823K-T	B	174.1/30.1
C326	4030011600	S.CER C1608 JB 1E 104K-T	B	167.8/26.7
C327	4030008950	S.CER C2012 JB 1C 823K-T	B	175.5/23.0
C331	4030011600	S.CER C1608 JB 1E 104K-T	B	163.7/28.1
C351	4030019560	S.CER GRM21BB31C106KE15L	T	184.5/28.3
C352	4510005000	ELE 16 ME 220 HC		
C354	4510009390	ELE 16 ME 2200 CZ		
C356	4510004601	ELE 16 ME 1000 HC		
C357	4510008500	S.ELE EEE1CA101WP	T	175.2/5.6
C360	4030019560	S.CER GRM21BB31C106KE15L	T	186.4/28.3
C374	4510004601	ELE 16 ME 1000 HC		
C401	4030011600	S.CER C1608 JB 1E 104K-T	T	44.0/10.1
C402	4030011600	S.CER C1608 JB 1E 104K-T	T	39.5/2.8
C413	4030011600	S.CER C1608 JB 1E 104K-T	B	149.3/17.8
C416	4030019120	S.CER GRM188B31E105KA75D	B	137.9/19.8
C501	4030019560	S.CER GRM21BB31C106KE15L	T	60.9/15.7
C502	4030011600	S.CER C1608 JB 1E 104K-T	T	57.8/18.9
C503	4030019560	S.CER GRM21BB31C106KE15L	T	43.5/20.3
C504	4030007150	S.CER C1608 CH 1H 151J-T	T	42.3/18.0
C509	4030011600	S.CER C1608 JB 1E 104K-T	T	50.6/20.0
C510	4030011600	S.CER C1608 JB 1E 104K-T	T	47.2/13.2
C521	4030011600	S.CER C1608 JB 1E 104K-T	T	35.6/20.0
C522	4030011600	S.CER C1608 JB 1E 104K-T	B	38.4/20.3
C543	4030019120	S.CER GRM188B31E105KA75D	B	24.0/16.4
C544	4030019120	S.CER GRM188B31E105KA75D	B	24.0/14.4
C551	4030011600	S.CER C1608 JB 1E 104K-T	T	15.4/18.4
C552	4030019560	S.CER GRM21BB31C106KE15L	T	17.0/18.2
C553	4030019560	S.CER GRM21BB31C106KE15L	T	19.9/14.5
C554	4030011600	S.CER C1608 JB 1E 104K-T	T	16.8/24.2
C555	4030019560	S.CER GRM21BB31C106KE15L	T	15.2/24.0
C556	4030011600	S.CER C1608 JB 1E 104K-T	T	28.5/17.4
C557	4030019560	S.CER GRM21BB31C106KE15L	T	24.8/14.5
C558	4030019560	S.CER GRM21BB31C106KE15L	T	29.5/24.4
C561	4030007040	S.CER C1608 CH 1H 180J-T	T	27.6/20.3
C562	4030007040	S.CER C1608 CH 1H 180J-T	T	29.5/22.5
C571	4030011600	S.CER C1608 JB 1E 104K-T	T	12.1/18.4
C611	4030011600	S.CER C1608 JB 1E 104K-T	T	65.1/30.0
C613	4030006860	S.CER C1608 JB 1H 102K-T	T	134.3/44.0
C615	4030007010	S.CER C1608 CH 1H 100D-T	B	133.9/43.6
C621	4030011600	S.CER C1608 JB 1E 104K-T	T	71.3/34.0
C651	4030019120	S.CER GRM188B31E105KA75D	B	13.0/23.2
C701	4030011600	S.CER C1608 JB 1E 104K-T	T	38.6/12.0
C702	4030019120	S.CER GRM188B31E105KA75D	T	37.5/14.8
C751	4030006900	S.CER C1608 JB 1H 103K-T	B	135.8/44.4
C753	4030007090	S.CER C1608 CH 1H 470J-T	B	148.1/39.5
C754	4030007090	S.CER C1608 CH 1H 470J-T	B	148.8/41.2
C901	4030019560	S.CER GRM21BB31C106KE15L	T	51.9/31.0

[CONNECT UNIT]

REF NO.	PARTS NO.	DESCRIPTION	M.	H/V LOCATION
C902	4030011600	S.CER C1608 JB 1E 104K-T	T	17.0/40.4
C903	4030019120	S.CER GRM188B31E105KA75D	T	53.5/31.6
C904	4030019120	S.CER GRM188B31E105KA75D	T	57.1/27.0
C905	4030011600	S.CER C1608 JB 1E 104K-T	T	54.7/30.7
C906	4030007060	S.CER C1608 CH 1H 270J-T	T	22.6/35.7
C907	4030007060	S.CER C1608 CH 1H 270J-T	T	23.2/37.6
C908	4030011600	S.CER C1608 JB 1E 104K-T	B	16.2/36.2
C909	4030007050	S.CER C1608 CH 1H 220J-T	B	11.4/36.5
C910	4030007050	S.CER C1608 CH 1H 220J-T	B	12.2/34.9
C911	4030011600	S.CER C1608 JB 1E 104K-T	T	22.4/32.5
C912	4030007050	S.CER C1608 CH 1H 220J-T	B	12.2/32.5
C915	4030007050	S.CER C1608 CH 1H 220J-T	B	11.1/30.9
C924	4030019560	S.CER GRM21BB31C106KE15L	T	15.0/42.0
C1001	4030011600	S.CER C1608 JB 1E 104K-T	B	119.5/8.5
C1002	4030011600	S.CER C1608 JB 1E 104K-T	B	117.0/7.7
C1008	4030006900	S.CER C1608 JB 1H 103K-T	B	112.4/11.8
C1009	4030006900	S.CER C1608 JB 1H 103K-T	B	113.2/7.7
C1013	4030006900	S.CER C1608 JB 1H 103K-T	B	110.0/7.7
C1015	4030006900	S.CER C1608 JB 1H 103K-T	B	108.4/6.5
C1016	4030006900	S.CER C1608 JB 1H 103K-T	B	109.2/11.8
C1017	4030006900	S.CER C1608 JB 1H 103K-T	B	106.8/7.7
C1018	4030006900	S.CER C1608 JB 1H 103K-T	B	107.6/12.9
C1019	4030006900	S.CER C1608 JB 1H 103K-T	B	105.2/6.5
C1020	4030006900	S.CER C1608 JB 1H 103K-T	B	106.0/11.8
C1021	4030006900	S.CER C1608 JB 1H 103K-T	B	103.6/7.7
C1022	4030006860	S.CER C1608 JB 1H 102K-T	B	104.4/12.9
C1023	4030006900	S.CER C1608 JB 1H 103K-T	B	102.0/6.5
C1024	4030007090	S.CER C1608 CH 1H 470J-T	B	102.8/11.8
C1025	4030007090	S.CER C1608 CH 1H 470J-T	B	100.4/7.7
C1026	4030006860	S.CER C1608 JB 1H 102K-T	B	101.2/12.9
C1027	4030007090	S.CER C1608 CH 1H 470J-T	B	98.8/6.5
C1028	4030007090	S.CER C1608 CH 1H 470J-T	B	99.6/11.8
C1031	4030007090	S.CER C1608 CH 1H 470J-T	B	97.2/7.7
C1032	4030007090	S.CER C1608 CH 1H 470J-T	B	98.0/12.9
C1039	4030011600	S.CER C1608 JB 1E 104K-T	T	141.2/31.1
C1040	4030011600	S.CER C1608 JB 1E 104K-T	T	136.7/31.2
C1041	4030006860	S.CER C1608 JB 1H 102K-T	T	156.0/29.8
C1042	4030006860	S.CER C1608 JB 1H 102K-T	T	146.0/29.8
C1043	4030006860	S.CER C1608 JB 1H 102K-T	T	154.5/19.4
C1045	4030006860	S.CER C1608 JB 1H 102K-T	T	134.0/30.3
C1046	4030011600	S.CER C1608 JB 1E 104K-T	T	62.9/14.0
C1047	4030006860	S.CER C1608 JB 1H 102K-T	T	68.3/14.6
C1050	4030006860	S.CER C1608 JB 1H 102K-T	T	151.6/29.8
C1051	4030006860	S.CER C1608 JB 1H 102K-T	T	71.3/14.6
C1101	4030006900	S.CER C1608 JB 1H 103K-T	B	100.9/36.6
C1102	4030006900	S.CER C1608 JB 1H 103K-T	B	118.7/35.2
C1103	4030006900	S.CER C1608 JB 1H 103K-T	B	98.0/39.7
C1105	4030006900	S.CER C1608 JB 1H 103K-T	B	112.6/33.3
C1107	4030006900	S.CER C1608 JB 1H 103K-T	B	123.4/36.0
C1109	4030006860	S.CER C1608 JB 1H 102K-T	B	106.8/42.3
C1110	4030006900	S.CER C1608 JB 1H 103K-T	T	99.0/41.0
C1111	4030006900	S.CER C1608 JB 1H 103K-T	B	113.8/47.9
C1112	4030006900	S.CER C1608 JB 1H 103K-T	B	118.8/45.2
C1113	4030006900	S.CER C1608 JB 1H 103K-T	B	107.3/47.5
C1114	4030011600	S.CER C1608 JB 1E 104K-T	T	101.0/38.5
C1115	4030019620	S.CER GRM188B31C225KE14D	B	117.7/47.0
C1116	4030019620	S.CER GRM188B31C225KE14D	B	120.3/40.8
C1301	4030006860	S.CER C1608 JB 1H 102K-T	B	48.7/37.7
C1401	4030006900	S.CER C1608 JB 1H 103K-T	B	73.3/44.3
C1404	4030006900	S.CER C1608 JB 1H 103K-T	B	77.9/39.8
C1405	4030006900	S.CER C1608 JB 1H 103K-T	B	70.4/36.7
C1411	4030006900	S.CER C1608 JB 1H 103K-T	T	113.2/28.6
C1421	4030006900	S.CER C1608 JB 1H 103K-T	T	108.8/32.8
RL1401	6330000540	REL 2-1419131-2(OMR-109F)		
J101	6510023720	CON LGY6501-0600C		
J151	6510018961	S.CON B2B-PH-SM4-TB(LF)(SN)	T	11.0/6.5
J611	6510023720	CON LGY6501-0600C		
J751	6510026540	CON UBB-4R-D14T-4D(LF)(SN)		
J1001	6510022472	S.CON 40FLT-SM2-TB(LF)(SN)(M)	T	106.4/9.8
J1002	6510027040	S.CON B12B-PH-SM4-TB(LF)(SN)	T	143.8/23.4
J1003	6510025760	S.CON B5B-ZR-SM4-TF(LF)(SN)	T	68.3/20.2
J1101	6450001641	CON TCS5044-0141177		
J1301	6510023900	CON LGR4619-7000		
J14				

[CONNECT UNIT]

REF NO.	PARTS NO.	DESCRIPTION	M.	H/V LOCATION
EP1026	6910014690	S.BEA MPZ1608S221A-T	T	148.8/29.8
EP1029	6910012350	S.BEA MMZ1608Y 102BT	T	69.8/14.6
EP1101	6910014690	S.BEA MPZ1608S221A-T	B	103.3/34.7
EP1102	6910014640	S.BEA MPZ2012S221A-T	B	106.1/33.6
EP1103	6910018930	S.BEA MPZ2012S601A	B	115.6/34.4
EP1104	6910014640	S.BEA MPZ2012S221A-T	B	120.0/38.6
EP1106	6910012350	S.BEA MMZ1608Y 102BT	B	109.6/43.1
EP1301	6910012350	S.BEA MMZ1608Y 102BT	B	48.1/43.5
EP1401	6910018930	S.BEA MPZ2012S601A	B	73.3/50.4

[PLL UNIT]

REF NO.	PARTS NO.	DESCRIPTION	M.	H/V LOCATION
IC103	1130011760	S.IC CD4094BPWR	T	13.3/41.0
IC104	1130011760	S.IC CD4094BPWR	T	13.3/48.3
IC121	1180001072	S.IC TA7805F(TE16L1NQ)	T	7.0/100.7
IC122	1180003560	S.REG BA33BC0FP-E2	T	24.0/111.9
IC123	1180003210	S.REG NJM2831F10-TE1-#ZZZB	T	17.7/774.8
IC124	1180001252	S.IC TA7808F(TE16L1NQ)	T	42.8/89.0
IC201	1130013270	S.IC ADF4116BRUZ-REEL7 <FE>	T	71.1/44.4
IC351	1190002101	S.IC AD9951YSVZ <FE>	T	52.9/57.4
IC352	1180003200	S.REG UPD120N18TA-E1-AT	T	37.8/72.0
IC353	1130010560	S.IC SN74AHC244PWR	T	53.0/774.3
IC501	1110006870	S.IC UPC2709TB-E3	T	58.0/16.5
IC661	1130012600	S.IC SN74AHC1G04DCKR	T	107.5/58.8
IC662	1130015150	S.IC CY22381FXC(SX-3073G)	T	107.6/67.2
IC701	1130012600	S.IC SN74AHC1G04DCKR	T	78.9/84.1
IC702	1140014960	S.IC TC190G02EFG-0058/SC1287A	T	69.8/85.3
IC703	1130013010	S.IC SN74AHC1G08DCK3	T	77.5/91.8
IC704	1130013010	S.IC SN74AHC1G08DCK3	T	63.5/78.9
Q151	1530003890	S.TRA KTC3880S Y-RTK/P	T	80.5/34.2
Q201	1530003890	S.TRA KTC3880S Y-RTK/P	T	74.2/39.7
Q202	1590003770	S.TRA KRA302E-RTK/P	T	64.7/40.0
Q203	1590003680	S.TRA KRC402 RTK/P	T	65.0/37.7
Q251	1560000491	S.FET 2SK508-T2B-A K52	T	90.1/57.4
Q252	1530003900	S.TRA KTC4075 BL-RTK/P	T	91.0/66.0
Q271	1530004011	S.TRA KTC3770U-C-RTK/P	T	77.4/58.5
Q301	1530004011	S.TRA KTC3770U-C-RTK/P	T	63.1/56.9
Q421	1590003680	S.TRA KRC402 RTK/P	T	36.1/20.6
Q422	1590003770	S.TRA KRA302E-RTK/P	T	40.2/20.5
Q451	1560000841	S.FET 2SK1829(TE85RF)	T	36.1/23.1
Q452	1590003770	S.TRA KRA302E-RTK/P	T	40.2/23.3
Q501	1590003680	S.TRA KRC402 RTK/P	T	36.1/16.8
Q502	1590003770	S.TRA KRA302E-RTK/P	T	40.2/17.1
Q551	1530003890	S.TRA KTC3880S Y-RTK/P	T	92.3/43.1
Q552	1530003890	S.TRA KTC3880S Y-RTK/P	T	108.4/34.4
Q571	1530003890	S.TRA KTC3880S Y-RTK/P	T	107.1/26.9
Q572	1590003680	S.TRA KRC402 RTK/P	T	86.3/27.5
Q573	1590003770	S.TRA KRA302E-RTK/P	T	88.8/27.9
Q574	1590003680	S.TRA KRC402 RTK/P	T	82.5/28.1
Q701	1530003900	S.TRA KTC4075 BL-RTK/P	T	70.1/102.2
Q801	1590003680	S.TRA KRC402 RTK/P	T	87.1/106.9
Q802	1590003770	S.TRA KRA302E-RTK/P	T	86.7/109.4
Q803	1590003680	S.TRA KRC402 RTK/P	T	89.9/105.9
Q850	1590003680	S.TRA KRC402 RTK/P	T	95.9/99.3
Q851	1590003680	S.TRA KRC402 RTK/P	T	93.1/99.5
Q852	1590003770	S.TRA KRA302E-RTK/P	T	92.7/102.0
Q900	1590003680	S.TRA KRC402 RTK/P	T	99.2/105.8
Q901	1530003890	S.TRA KTC3880S Y-RTK/P	T	96.1/113.0
Q902	1590003680	S.TRA KRC402 RTK/P	T	96.7/105.8
Q903	1590003770	S.TRA KRA302E-RTK/P	T	96.8/108.7
D201	1750001320	S.DIO KDS4148U RTK/P	T	65.1/41.9
D251	1720000641	S.VAR 1SV284(TPH3F)	T	82.7/54.4
D421	1750001310	S.DIO KDS114 RTK/PA	T	55.1/30.6
D422	1750001310	S.DIO KDS114 RTK/PA	T	55.9/21.2
D451	1750001310	S.DIO KDS114 RTK/PA	T	45.0/30.6
D452	1750001310	S.DIO KDS114 RTK/PA	T	48.2/19.3
D501	1750001310	S.DIO KDS114 RTK/PA	T	50.6/11.7
D801	1750001310	S.DIO KDS114 RTK/PA	T	83.3/103.4
D851	1750001310	S.DIO KDS114 RTK/PA	T	84.3/99.5
D951	1750000431	S.DIO HSB88WSTR-E	T	71.5/114.8
FI401	2030000680	S.MON DSF753SDF 64.455 MHz (FL-423)	T	47.0/40.5
FI981	2030000820	S.MON MFT64.4R2 64.491 MHz (FL-436)	T	45.1/108.9
X151	6050012990	S.XTA CR-893 TTS18NSH 32 MHz	T	94.0/36.0
L151	6200005011	S.COI NLV25T-100J	T	97.8/33.75
L152	6200005011	S.COI NLV25T-100J	T	78.8/31.7
L153	6200002651	S.COI NLV25T-R18J	T	81.0/39.1
L201	6200005011	S.COI NLV25T-100J	T	68.1/39.6
L251	6200010960	S.COI C2520C-R47G-A (0.47U)	T	81.6/58.0
L252	6200010150	S.COI AS080340-15N	T	86.2/56.4
L301	6200005671	S.COI ELJRE 12NGFA	T	63.1/62.4
L302	6200005691	S.COI ELJRE 18NGFA	T	62.1/66.0
L303	6200005681	S.COI ELJRE 15NGFA	T	59.1/65.9
L304	6200005691	S.COI ELJRE 18NGFA	T	156.3/13.6
L351	6200004961	S.COI NLV25T-R33J	T	42.1/65.6
L353	6200004961	S.COI NLV25T-R33J	T	47.4/71.9
L354	6140002810	S.COI LR-317	T	39.5/56.9
L355	6200004961	S.COI NLV25T-R33J	T	44.6/71.4
L381	6200010910	S.COI LQW18AN56NG00D	T	38.8/49.9
L401	6200004940	S.COI MLF1608D R27K-T	T	41.1/41.8
L402	6200010740	S.COI C2520C-R27G-A	T	53.6/38.4
L421	6200011650	S.COI LQW18AN68NG00D	T	54.3/27.7
L422	6200011770	S.COI LQW18ANR10G00D	T	56.1/27.0
L423	6200011680	S.COI LQW18ANR12G00D	T	59.3/24.9
L451	6200005731	S.COI ELJRE 39NGFA	T	44.2/27.7
L452	6200006991	S.COI ELJRE 56NGFA	T	46.1/27.0
L453	6200009531	S.COI ELJRE R15GFA	T	49.2/24.9
L501	6200001981	S.COI NLV25T-1R0J	T	57.4/13.9
L502	6200009290	S.COI LQW18AN47NG00D (LQW1608A47NG00)	T	55.1/8.7
L503	6200011650	S.COI LQW18AN68NG00D	T	52.6/9.3
L504	6200011680	S.COI LQW18ANR12G00D	T	50.6/5.9
L505	6200005011	S.COI NLV25T-100J	T	47.9/12.7
L551	6150004250	COI LS-471A (C-14922)	T	
L552	6150004250	COI LS-471A (C-14922)	T	
L661	6200001831	S.COI NLV32T-100J	T	98.6/64.7

M.=Mounted side (T: Mounted on the Top side, B: Mounted on the Bottom side)
S.=Surface mount

[PLL UNIT]

REF NO.	PARTS NO.	DESCRIPTION	M.	H/V LOCATION
L671	6200004741	S.COI NLV25T-1R2J	T	102.0/72.4
L672	6200002841	S.COI NLV25T-R22J	T	106.2/77.2
L673	6200002911	S.COI NLV25T-R27J	T	105.7/80.2
L701	6200005011	S.COI NLV25T-100J	T	76.6/75.7
L702	6200009871	S.COI NLV25T-120J	T	62.4/99.2
L703	6200002041	S.COI NLV25T-101J	T	75.7/102.1
L801	6200005021	S.COI NLV25T-150J	T	79.1/107.7
L802	6200005021	S.COI NLV25T-150J	T	74.7/109.0
L803	6200005031	S.COI NLV25T-180J	T	69.9/106.7
L811	6200005491	S.COI NLV32T-331J	T	78.7/101.2
L812	6200005491	S.COI NLV32T-331J	T	84.2/108.6
L850	6200005491	S.COI NLV32T-331J	T	89.5/102.0
L851	6200005021	S.COI NLV25T-150J	T	88.6/98.7
L852	6200005021	S.COI NLV25T-150J	T	87.8/94.4
L853	6200005031	S.COI NLV25T-180J	T	90.1/90.0
L901	6200002911	S.COI NLV25T-R27J	T	90.4/113.6
L951	6140002810	S.COI LR-317	T	77.5/114.8
L952	6140002810	S.COI LR-317	T	65.3/114.8
L981	6200010870	S.COI C2520C-R33G-A (0.33U)	T	53.9/108.9
L982	6200010870	S.COI C2520C-R33G-A (0.33U)	T	36.8/108.9
R1	7030003360	S.RES ERJ3GEYJ 221 V (220)	T	32.3/11.6
R2	7030003360	S.RES ERJ3GEYJ 221 V (220)	T	31.6/20.4
R3	7030003360	S.RES ERJ3GEYJ 221 V (220)	T	31.0/11.6
R4	7030003360	S.RES ERJ3GEYJ 221 V (220)	T	30.3/20.4
R5	7030003360	S.RES ERJ3GEYJ 221 V (220)	T	29.7/11.6
R12	7030003360	S.RES ERJ3GEYJ 221 V (220)	T	18.3/20.4
R13	7030003360	S.RES ERJ3GEYJ 221 V (220)	T	19.1/11.6
R14	7030003360	S.RES ERJ3GEYJ 221 V (220)	T	17.0/20.4
R15	7030003360	S.RES ERJ3GEYJ 221 V (220)	T	17.9/11.6
R16	7030003360	S.RES ERJ3GEYJ 221 V (220)	T	15.7/20.4
R17	7030003360	S.RES ERJ3GEYJ 221 V (220)	T	16.7/11.6
R18	7030003360	S.RES ERJ3GEYJ 221 V (220)	T	14.4/20.4
R19	7030003360	S.RES ERJ3GEYJ 221 V (220)	T	15.5/11.6
R20	7030003360	S.RES ERJ3GEYJ 221 V (220)	T	13.1/20.4
R21	7030003860	S.RES ERJ3GE JPW V	T	14.3/11.6
R22	7030003360	S.RES ERJ3GEYJ 221 V (220)	T	11.8/20.4
R23	7030003360	S.RES ERJ3GEYJ 221 V (220)	T	13.1/11.6
R24	7030003360	S.RES ERJ3GEYJ 221 V (220)	T	10.5/20.4
R81	7030003360	S.RES ERJ3GEYJ 221 V (220)	T	10.0/76.0
R82	7030003360	S.RES ERJ3GEYJ 221 V (220)	T	10.0/74.8
R87	7030003360	S.RES ERJ3GEYJ 221 V (220)	T	10.0/68.8
R88	7030003860	S.RES ERJ3GE JPW V	T	10.0/67.6
R89	7030003360	S.RES ERJ3GEYJ 221 V (220)	T	10.0/66.4
R90	7030003360	S.RES ERJ3GEYJ 221 V (220)	T	10.0/65.2
R91	7030003360	S.RES ERJ3GEYJ 221 V (220)	T	10.0/64.0
R92	7030003360	S.RES ERJ3GEYJ 221 V (220)	T	10.0/62.8
R93	7030003360	S.RES ERJ3GEYJ 221 V (220)	T	10.0/61.6
R94	7030003360	S.RES ERJ3GEYJ 221 V (220)	T	10.0/60.4
R101	7030003550	S.RES ERJ3GEYJ 822 V (8.2K)	T	20.0/39.9
R102	7030003550	S.RES ERJ3GEYJ 822 V (8.2K)	T	20.0/41.2
R103	7030003550	S.RES ERJ3GEYJ 822 V (8.2K)	T	20.0/42.5
R104	7030003550	S.RES ERJ3GEYJ 822 V (8.2K)	T	20.0/43.7
R105	7030003550	S.RES ERJ3GEYJ 822 V (8.2K)	T	8.2/39.3
R106	7030003550	S.RES ERJ3GEYJ 822 V (8.2K)	T	8.2/42.1
R121	7030011030	S.RES ERJ1TYJ 270U (27)	T	15.6/86.4
R122	7030011030	S.RES ERJ1TYJ 270U (27)	T	10.4/86.4
R123	7030003640	S.RES ERJ3GEYJ 473 V (47K)	T	17.7/77.2
R124	7030012380	S.RES ERJ1TYJ 3R9U	T	25.0/62.6
R151	7030003670	S.RES ERJ3GEYJ 823 V (82K)	T	100.0/37.4
R152	7030003610	S.RES ERJ3GEYJ 273 V (27K)	T	98.5/37.4
R153	7030003620	S.RES ERJ3GEYJ 333 V (33K)	T	101.3/37.4
R154	7030003200	S.RES ERJ3GEYJ 100 V (10)	T	90.0/36.9
R155	7030003580	S.RES ERJ3GEYJ 153 V (15K)	T	85.4/34.1
R156	7030003600	S.RES ERJ3GEYJ 223 V (22K)	T	87.7/36.7
R157	7030003360	S.RES ERJ3GEYJ 221 V (220)	T	82.4/36.4
R201	7030003320	S.RES ERJ3GEYJ 101 V (100)	T	77.8/39.5
R202	7030003660	S.RES ERJ3GEYJ 683 V (68K)	T	66.5/39.5
R203	7030003360	S.RES ERJ3GEYJ 221 V (220)	T	71.8/39.5
R204	7030003280	S.RES ERJ3GEYJ 470 V (47)	T	77.3/47.0
R205	7030003360	S.RES ERJ3GEYJ 221 V (220)	T	68.7/31.3
R206	7030003360	S.RES ERJ3GEYJ 221 V (220)	T	69.9/31.3
R207	7030003360	S.RES ERJ3GEYJ 221 V (220)	T	71.1/31.3
R208	7030003560	S.RES ERJ3GEYJ 103 V (10K)	T	65.4/43.5
R221	7030005351	S.RES ERA3YED 182V (1.8K)	T	81.4/42.8
R222	7030003860	S.RES ERJ3GE JPW V	T	81.4/44.0
R251	7030003560	S.RES ERJ3GEYJ 103 V (10K)	T	90.3/59.7
R252	7030003560	S.RES ERJ3GEYJ 103 V (10K)	T	85.3/60.5
R253	7030003450	S.RES ERJ3GEYJ 122 V (1.2K)	T	92.6/55.3
R254	7030003440	S.RES ERJ3GEYJ 102 V (1K)	T	92.9/66.1
R255	7030003200	S.RES ERJ3GEYJ 100 V (10)	T	88.4/64.9
R271	7030003490	S.RES ERJ3GEYJ 272 V (2.7K)	T	77.2/60.4
R272	7030003510	S.RES ERJ3GEYJ 392 V (3.9K)	T	76.8/61.7
R273	7030003360	S.RES ERJ3GEYJ 221 V (220)	T	77.0/54.0
R274	7030003240	S.RES ERJ3GEYJ 220 V (22)	T	76.9/52.8
R275	7030003320	S.RES ERJ3GEYJ 101 V (100)	T	79.8/60.5
R301	7030003490	S.RES ERJ3GEYJ 272 V (2.7K)	T	63.3/55.0
R302	7030003510	S.RES ERJ3GEYJ 392 V (3.9K)	T	63.3/52.4
R303	7030003360	S.RES ERJ3GEYJ 221 V (220)	T	63.3/58.8
R304	7030003240	S.RES ERJ3GEYJ 220 V (22)	T	63.1/60.0
R305	7030003320	S.RES ERJ3GEYJ 101 V (100)	T	61.3/51.6
R351	7030003280	S.RES ERJ3GEYJ 470 V (47)	T	48.0/64.4
R352	7030003510	S.RES ERJ3GEYJ 392 V (3.9K)	T	45.7/54.7
R353	7030003320	S.RES ERJ3GEYJ 101 V (100)	T	44.2/55.6
R354	7030003320	S.RES ERJ3GEYJ 101 V (100)	T	44.2/58.2
R355	7030003360	S.RES ERJ3GEYJ 221 V (220)	T	59.6/56.4
R356	7030003360	S.RES ERJ3GEYJ 221 V (220)	T	60.1/53.8
R357	7030003360	S.RES ERJ3GEYJ 221 V (220)	T	57.5/61.5
R358	7030003360	S.RES ERJ3GEYJ 221 V (220)	T	59.6/55.0
R359	7030003360	S.RES ERJ3GEYJ 221 V (220)	T	57.2/51.8
R403	7030003860	S.RES ERJ3GE JPW V	T	46.1/79.95
R404	7030003410	S.RES ERJ3GEYJ 561 V (560)	T	46.1/81.2
R405	7030007860	S.RES ERJ3GEYJ 8R2V (8.2)	T	46.1/78.8
R406	7030003410	S.RES ERJ3GEYJ 561 V (560)	T	39.8/44.55

[PLL UNIT]

REF NO.	PARTS NO.	DESCRIPTION	M.	H/V LOCATION
R407	7030003410	S.RES ERJ3GEYJ 561 V (560)	T	53.3/35.5
R408	7030007860	S.RES ERJ3GEYJ 8R2V (8.2)	T	51.3/34.8
R409	7030003410	S.RES ERJ3GEYJ 561 V (560)	T	53.3/34.0
R411	7030003440	S.RES ERJ3GEYJ 102 V (1K)	T	57.1/31.6
R421	7030003400	S.RES ERJ3GEYJ 102 V (1K)	T	52.9/29.0
R422	7030003320	S.RES ERJ3GEYJ 101 V (100)	T	52.2/27.0
R423	7030003440	S.RES ERJ3GEYJ 102 V (1K)	T	52.9/24.9
R424	7030003640	S.RES ERJ3GEYJ 473 V (47K)	T	52.9/22.3
R451	7030003440	S.RES ERJ3GEYJ 102 V (1K)	T	42.9/29.0
R452	7030003320	S.RES ERJ3GEYJ 101 V (100)	T	42.1/25.5
R453	7030003440	S.RES ERJ3GEYJ 102 V (1K)	T	43.9/19.5
R454	7030003640	S.RES ERJ3GEYJ 473 V (47K)	T	42.9/23.3
R499	7030003440	S.RES ERJ3GEYJ 102 V (1K)	T	49.8/17.3
R501	7030003370	S.RES ERJ3GEYJ 271 V (270)	T	52.6/16.7
R502	7030003230	S.RES ERJ3GEYJ 180 V (18)	T	53.3/18.7
R503	7030003370	S.RES ERJ3GEYJ 271 V (270)	T	54.1/16.0
R504	7030003860	S.RES ERJ3GE JPW V	T	55.6/12.7
R505	7030003440	S.RES ERJ3GEYJ 102 V (1K)	T	55.6/10.7
R506	7030003640	S.RES ERJ3GEYJ 473 V (47K)	T	47.6/14.6
R507	7030003430	S.RES ERJ3GEYJ 821 V (820)	T	46.3/8.5
R508	7030004030	S.RES ERJ3GEYJ 5R6 V (5.6)	T	45.5/10.6
R509	7030003430	S.RES ERJ3GEYJ 821 V (820)	T	44.8/8.5
R551	7030003320	S.RES ERJ3GEYJ 101 V (100)	T	89.2/44.0
R552	7030003600	S.RES ERJ3GEYJ 223 V (22K)	T	92.0/45.4
R553	7030003560	S.RES ERJ3GEYJ 103 V (10K)	T	89.2/45.3
R554	7030003360	S.RES ERJ3GEYJ 221 V (220)	T	89.2/42.7
R555	7030003320	S.RES ERJ3GEYJ 101 V (100)	T	92.3/40.7
R556	7030003360	S.RES ERJ3GEYJ 221 V (220)	T	108.1/38.2
R557	7030003580	S.RES ERJ3GEYJ 153 V (15K)	T	108.1/36.7
R558	7030003620	S.RES ERJ3GEYJ 333 V (33K)	T	104.3/37.5
R559	7030003360	S.RES ERJ3GEYJ 221 V (220)	T	105.3/32.0
R560	7030003240	S.RES ERJ3GEYJ 220 V (22)	T	108.1/32.0
R561	7030003320	S.RES ERJ3GEYJ 101 V (100)	T	105.3/35.2
R571	7030003360	S.RES ERJ3GEYJ 221 V (220)	T	108.1/29.3
R572	7030003580	S.RES ERJ3GEYJ 153 V (15K)	T	104.5/27.1
R573	7030003620	S.RES ERJ3GEYJ 333 V (33K)	T	102.4/29.3
R574	7030003360	S.RES ERJ3GEYJ 221 V (220)	T	107.5/24.6
R575	7030003320	S.RES ERJ3GEYJ 101 V (100)	T	101.7/27.1
R577	7030003320	S.RES ERJ3GEYJ 101 V (100)	T	111.1/25.3
R578	7030003300	S.RES ERJ3GEYJ 680 V (68)	T	112.6/25.3
R579	7030003320	S.RES ERJ3GEYJ 101 V (100)	T	112.6/22.5
R580	7030003520	S.RES ERJ3GEYJ 472 V (4.7K)	T	84.4/28.0
R581	7030003860	S.RES ERJ3GE JPW V	T	110.3/28.0
R661	7030003360	S.RES ERJ3GEYJ 221 V (220)	T	107.7/56.6
R662	7030003640	S.RES ERJ3GEYJ 473 V (47K)	T	105.5/58.7
R663	7030003200	S.RES ERJ3GEYJ 100 V (10)	T	101.3/62.1
R664	7030003320	S.RES ERJ3GEYJ 101 V (100)	T	106.8/62.1
R665	7030003400	S.RES ERJ3GEYJ 471 V (470)	T	100.5/69.2
R666	7030003560	S.RES ERJ3GEYJ 103 V (10K)	T	108.2/72.3
R667	7030003560	S.RES ERJ3GEYJ 103 V (10K)	T	109.5/72.3
R674	7030003860	S.RES ERJ3GE JPW V	T	99.8/73.8
R677	7030003340	S.RES ERJ3GEYJ 151 V (150)	T	105.8/84.0
R678	7030003270	S.RES ERJ3GEYJ 390 V (39)	T	105.1/85.8
R679	7030003340	S.RES ERJ3GEYJ 151 V (150)	T	106.4/85.8
R701	7030003360	S.RES ERJ3GEYJ 221 V (220)	T	78.5/79.0
R702	7030003640	S.RES ERJ3GEYJ 473 V (47K)	T	79.0/88.6
R703	7030007220	S.RES ERA3YED 202V (2K)	T	76.3/97.5
R704	7030007220	S.RES ERA3YED 202V (2K)	T	76.3/94.7
R705	7030007230	S.RES ERA3YED 102V (1K)	T	75.1/97.5
R706	7030007220	S.RES ERA3YED 202V (2K)	T	75.1/94.7
R707	7030007230	S.RES ERA3YED 102V (1K)	T	73.9/97.5
R708	7030007220	S.RES ERA3YED 202V (2K)	T	73.9/94.7
R709	7030007230	S.RES ERA3YED 102V (1K)	T	72.7/97.5
R710	7030007220	S.RES ERA3YED 202V (2K)	T	72.7/94.7
R711	7030007230	S.RES ERA3YED 102V (1K)	T	71.5/97.5
R712	7030007220	S.RES ERA3YED 202V (2K)	T	70.3/94.7
R713	7030007230	S.RES ERA3YED 102V (1K)	T	70.3/97.5
R714	7030007220	S.RES ERA3YED 202V (2K)	T	69.1/94.7
R715	7030007230	S.RES ERA3YED 102V (1K)	T	69.1/97.5
R716	7030007220	S.RES ERA3YED 202V (2K)	T	67.9/94.7
R717	7030007210	S.RES ERA3YEB 102V (1K)	T	67.9/97.5
R718	7030007200	S.RES ERA3YEB 202V (2K)	T	66.7/94.7
R719	7030007210	S.RES ERA3YEB 102V (1K)	T	66.7/97.5
R720	7030007200	S.RES ERA3YEB 202V (2K)	T	65.5/94.7
R721	7030007210	S.RES ERA3YEB 102V (1K)	T	65.5/97.5
R722	7030007200	S.RES ERA3YEB 202V (2K)	T	64.3/94.7
R723	7030003320	S.RES ERJ3GEYJ 101 V (100)	T	78.7/86.1
R724	7030003480	S.RES ERJ3GEYJ 222 V (2.2K)	T	56.8/81.4
R725	7			

[PLL UNIT]

REF NO.	PARTS NO.	DESCRIPTION	M.	H/V LOCATION
R901	7030003360	S.RES ERJ3GEYJ 221 V (220)	T	100.0/110.6
R902	7030003580	S.RES ERJ3GEYJ 153 V (15K)	T	94.4/110.6
R903	7030003620	S.RES ERJ3GEYJ 333 V (33K)	T	95.8/116.1
R904	7030003320	S.RES ERJ3GEYJ 101 V (100)	T	94.4/109.3
R905	7030003360	S.RES ERJ3GEYJ 221 V (220)	T	98.4/116.1
R906	7030003410	S.RES ERJ3GEYJ 561 V (560)	T	86.6/114.9
R907	7030007860	S.RES ERJ3GEYJ 8R2V (8.2)	T	85.9/113.0
R908	7030003410	S.RES ERJ3GEYJ 561 V (560)	T	85.1/114.9
R909	7030003480	S.RES ERJ3GEYJ 222 V (2.2K)	T	92.3/113.3
R911	7030003860	S.RES ERJ3GE JPW V	T	102.8/110.6
R913	7030003320	S.RES ERJ3GEYJ 101 V (100)	T	102.0/108.8
R981	7030003410	S.RES ERJ3GEYJ 561 V (560)	T	60.5/109.7
R982	7030007860	S.RES ERJ3GEYJ 8R2V (8.2)	T	60.5/108.2
R983	7030003410	S.RES ERJ3GEYJ 561 V (560)	T	58.4/108.9
R984	7030003410	S.RES ERJ3GEYJ 561 V (560)	T	29.3/107.6
R985	7030007860	S.RES ERJ3GEYJ 8R2V (8.2)	T	31.4/106.8
R986	7030003410	S.RES ERJ3GEYJ 561 V (560)	T	29.3/106.1
C1	4030007050	S.CER C1608 CH 1H 220J-T	T	32.3/8.3
C2	4030007050	S.CER C1608 CH 1H 220J-T	T	31.6/23.7
C3	4030007050	S.CER C1608 CH 1H 220J-T	T	31.0/8.3
C4	4030007050	S.CER C1608 CH 1H 220J-T	T	30.3/23.7
C5	4030006860	S.CER C1608 JB 1H 102K-T	T	29.7/8.3
C6	4030006860	S.CER C1608 JB 1H 102K-T	T	28.1/7.1
C7	4030006860	S.CER C1608 JB 1H 102K-T	T	26.6/24.1
C8	4030006860	S.CER C1608 JB 1H 102K-T	T	24.6/7.1
C9	4030006860	S.CER C1608 JB 1H 102K-T	T	23.9/24.1
C10	4030006860	S.CER C1608 JB 1H 102K-T	T	22.2/24.1
C11	4030006860	S.CER C1608 JB 1H 102K-T	T	20.4/24.1
C12	4030006860	S.CER C1608 JB 1H 102K-T	T	18.3/23.7
C13	4030006860	S.CER C1608 JB 1H 102K-T	T	19.1/8.3
C14	4030007050	S.CER C1608 CH 1H 220J-T	T	17.0/23.7
C15	4030007050	S.CER C1608 CH 1H 220J-T	T	17.9/8.3
C16	4030007050	S.CER C1608 CH 1H 220J-T	T	16.7/23.7
C17	4030006860	S.CER C1608 JB 1H 102K-T	T	16.7/8.3
C18	4030006860	S.CER C1608 JB 1H 102K-T	T	14.4/23.7
C19	4030006860	S.CER C1608 JB 1H 102K-T	T	15.5/8.3
C20	4030006860	S.CER C1608 JB 1H 102K-T	T	13.1/23.7
C21	4030006860	S.CER C1608 JB 1H 102K-T	T	14.3/8.3
C22	4030006860	S.CER C1608 JB 1H 102K-T	T	11.8/23.7
C23	4030006860	S.CER C1608 JB 1H 102K-T	T	13.1/8.3
C24	4030006860	S.CER C1608 JB 1H 102K-T	T	10.5/23.7
C81	4030006860	S.CER C1608 JB 1H 102K-T	T	13.7/76.0
C82	4030006860	S.CER C1608 JB 1H 102K-T	T	13.7/74.8
C83	4030006860	S.CER C1608 JB 1H 102K-T	T	13.7/73.6
C84	4030006860	S.CER C1608 JB 1H 102K-T	T	13.7/72.4
C85	4030006860	S.CER C1608 JB 1H 102K-T	T	13.7/71.2
C86	4030006860	S.CER C1608 JB 1H 102K-T	T	13.7/70.0
C87	4030006860	S.CER C1608 JB 1H 102K-T	T	13.7/68.8
C88	4030006860	S.CER C1608 JB 1H 102K-T	T	13.7/67.6
C89	4030007050	S.CER C1608 CH 1H 220J-T	T	13.7/66.4
C90	4030007050	S.CER C1608 CH 1H 220J-T	T	13.7/65.2
C91	4030007050	S.CER C1608 CH 1H 220J-T	T	13.7/64.0
C92	4030006860	S.CER C1608 JB 1H 102K-T	T	13.7/62.8
C93	4030006860	S.CER C1608 JB 1H 102K-T	T	13.7/61.6
C94	4030006860	S.CER C1608 JB 1H 102K-T	T	13.7/60.4
C95	4030006860	S.CER C1608 JB 1H 102K-T	T	13.7/59.2
C96	4030006860	S.CER C1608 JB 1H 102K-T	T	13.7/58.0
C103	4030011600	S.CER C1608 JB 1E 104K-T	T	11.1/37.3
C104	4030011600	S.CER C1608 JB 1E 104K-T	T	11.1/44.6
C122	4030019560	S.CER GRM21BB31C106KE15L	T	15.5/98.6
C123	4030011600	S.CER C1608 JB 1E 104K-T	T	13.9/99.3
C124	4030011600	S.CER C1608 JB 1E 104K-T	T	13.9/102.2
C125	4030019560	S.CER GRM21BB31C106KE15L	T	15.5/101.9
C126	4030011810	S.CER C1608 JB 1A 224K-T	T	22.5/106.5
C127	4550007090	S.TAN TEESVA 1A 226M8R	T	24.6/104.8
C128	4030019090	S.CER C2012 JB 1C 225M-T	T	21.1/73.8
C129	4030008960	S.CER C2012 JB 1C 104K-T	T	21.1/75.8
C130	4030019560	S.CER GRM21BB31C106KE15L	T	17.2/101.9
C131	4030019560	S.CER GRM21BB31C106KE15L	T	46.6/83.6
C132	4030011600	S.CER C1608 JB 1E 104K-T	T	46.8/85.1
C133	4030011600	S.CER C1608 JB 1E 104K-T	T	46.8/92.9
C134	4030019560	S.CER GRM21BB31C106KE15L	T	46.6/94.4
C151	4030006900	S.CER C1608 JB 1H 103K-T	T	91.3/34.2
C152	4030006900	S.CER C1608 JB 1H 103K-T	T	91.2/37.4
C153	4030006900	S.CER C1608 JB 1H 103K-T	T	91.3/36.9
C154	4030006900	S.CER C1608 JB 1H 103K-T	T	84.1/34.1
C155	4030019120	S.CER GRM188B31E105KA75D	T	82.8/34.1
C156	4030007130	S.CER C1608 CH 1H 101J-T	T	84.8/37.5
C157	4030007130	S.CER C1608 CH 1H 101J-T	T	84.8/39.0
C158	4030007090	S.CER C1608 CH 1H 470J-T	T	82.9/38.2
C159	4030019120	S.CER GRM188B31E105KA75D	T	90.0/34.2
C201	4030006900	S.CER C1608 JB 1H 103K-T	T	79.1/39.5
C202	4030006900	S.CER C1608 JB 1H 103K-T	T	70.5/39.5
C203	4030006860	S.CER C1608 JB 1H 102K-T	T	76.5/45.0
C204	4030006860	S.CER C1608 JB 1H 102K-T	T	75.8/47.0
C205	4030011600	S.CER C1608 JB 1E 104K-T	T	72.0/47.9
C206	4030011600	S.CER C1608 JB 1E 104K-T	T	68.6/47.9
C207	4030006860	S.CER C1608 JB 1H 102K-T	T	66.1/45.5
C208	4030011810	S.CER C1608 JB 1A 224K-T	T	64.6/45.5
C221	4340000300	S.MYL ECHU 1C 223JX5	T	79.0/44.7
C222	4550000270	S.TAN TEESVA 1E 474M8R	T	83.9/44.8
C223	4340000300	S.MYL ECHU 1C 223JX5	T	81.7/52.7
C251	4030007000	S.CER C1608 CH 1H 090D-T	T	85.3/59.2
C253	4030007010	S.CER C1608 CH 1H 100D-T	T	87.3/60.0
C254	4030009920	S.CER C1608 CH 1H 050B-T	T	90.0/55.0
C255	4030009920	S.CER C1608 CH 1H 050B-T	T	93.0/53.2
C256	4030007130	S.CER C1608 CH 1H 101J-T	T	89.4/53.2
C257	4030006860	S.CER C1608 JB 1H 102K-T	T	90.6/53.2
C258	4030011600	S.CER C1608 JB 1E 104K-T	T	91.8/53.1
C259	4550006250	S.TAN TEESVA 1A 106M8R	T	90.5/61.4
C260	4510008970	S.ELE EEEHB1C100R	T	93.3/69.8
C261	4030006860	S.CER C1608 JB 1H 102K-T	T	94.2/66.0
C271	4030009520	S.CER C1608 CH 1H 020B-T	T	92.3/57.3

[PLL UNIT]

REF NO.	PARTS NO.	DESCRIPTION	M.	H/V LOCATION
C272	4030006860	S.CER C1608 JB 1H 102K-T	T	77.4/55.3
C273	4030011600	S.CER C1608 JB 1E 104K-T	T	77.4/56.6
C301	4030006860	S.CER C1608 JB 1H 102K-T	T	63.3/53.8
C302	4030006860	S.CER C1608 JB 1H 102K-T	T	63.3/50.0
C303	4030011600	S.CER C1608 JB 1E 104K-T	T	63.3/51.2
C304	4030006860	S.CER C1608 JB 1H 102K-T	T	63.1/61.2
C305	4030011770	S.CER C1608 CH 1H 060B-T	T	64.0/65.5
C306	4030006980	S.CER C1608 CH 1H 070D-T	T	63.1/63.6
C307	4030007020	S.CER C1608 CH 1H 120J-T	T	62.1/67.2
C308	4030009550	S.CER C1608 CH 1H 2R5B-T	T	62.1/64.8
C309	4030006980	S.CER C1608 CH 1H 070D-T	T	60.3/65.9
C310	4030006980	S.CER C1608 CH 1H 070D-T	T	57.9/65.9
C311	4030007060	S.CER C1608 CH 1H 270J-T	T	52.6/66.3
C312	4030007000	S.CER C1608 CH 1H 090D-T	T	49.6/66.3
C351	4030019560	S.CER GRM21BB31C106KE15L	T	45.0/63.2
C352	4030011600	S.CER C1608 JB 1E 104K-T	T	54.5/64.5
C353	4030011600	S.CER C1608 JB 1E 104K-T	T	53.0/64.5
C354	4030011600	S.CER C1608 JB 1E 104K-T	T	46.2/60.1
C355	4030011600	S.CER C1608 JB 1E 104K-T	T	46.2/61.5
C356	4030011600	S.CER C1608 JB 1E 104K-T	T	46.9/58.2
C357	4030011600	S.CER C1608 JB 1E 104K-T	T	45.7/58.2
C358	4030011600	S.CER C1608 JB 1E 104K-T	T	48.9/50.6
C359	4030011600	S.CER C1608 JB 1E 104K-T	T	50.4/50.6
C360	4030011600	S.CER C1608 JB 1E 104K-T	T	52.7/51.1
C364	4030011600	S.CER C1608 JB 1E 104K-T	T	59.6/57.9
C365	4030011600	S.CER C1608 JB 1E 104K-T	T	51.1/64.6
C366	4030006860	S.CER C1608 JB 1H 102K-T	T	49.3/64.4
C367	4030011600	S.CER C1608 JB 1E 104K-T	T	46.9/54.2
C368	4550006010	S.TAN TEESVA OG 106M8R	T	35.1/72.5
C369	4030011600	S.CER C1608 JB 1E 104K-T	T	40.2/71.6
C370	4030011600	S.CER C1608 JB 1E 104K-T	T	57.9/71.6
C371	4030011600	S.CER C1608 JB 1E 104K-T	T	40.6/62.3
C373	4550006250	S.TAN TEESVA 1A 106M8R	T	41.9/72.8
C381	4030007090	S.CER C1608 CH 1H 470J-T	T	38.8/51.1
C382	4030007090	S.CER C1608 CH 1H 470J-T	T	40.7/50.7
C404	4030007070	S.CER C1608 CH 1H 330J-T	T	41.9/43.8
C405	4030008560	S.CER C1608 CH 1H 300J-T	T	41.1/39.3
C407	4030007070	S.CER C1608 CH 1H 330J-T	T	50.0/36.1
C408	4030007010	S.CER C1608 CH 1H 100D-T	T	53.4/41.2
C411	4030006860	S.CER C1608 JB 1H 102K-T	T	50.0/33.3
C421	4030007100	S.CER C1608 CH 1H 560J-T	T	57.6/29.0
C422	4030007050	S.CER C1608 CH 1H 220J-T	T	54.3/26.2
C423	4030007120	S.CER C1608 CH 1H 820J-T	T	59.3/27.7
C424	4030011770	S.CER C1608 CH 1H 060B-T	T	57.4/27.0
C425	4030007110	S.CER C1608 CH 1H 680J-T	T	59.3/26.2
C426	4030007110	S.CER C1608 CH 1H 680J-T	T	56.7/24.9
C427	4030011280	S.CER C1608 CH 1H 271J-T	T	59.3/23.6
C428	4030007110	S.CER C1608 CH 1H 680J-T	T	56.7/23.6
C429	4030006860	S.CER C1608 JB 1H 102K-T	T	52.9/30.3
C430	4030006860	S.CER C1608 JB 1H 102K-T	T	52.9/23.6
C451	4030007050	S.CER C1608 CH 1H 220J-T	T	47.5/29.0
C452	4030007050	S.CER C1608 CH 1H 220J-T	T	44.2/26.2
C453	4030007100	S.CER C1608 CH 1H 560J-T	T	49.2/27.7
C454	4030006980	S.CER C1608 CH 1H 070D-T	T	47.4/27.0
C455	4030007070	S.CER C1608 CH 1H 330J-T	T	49.2/26.2
C456	4030007070	S.CER C1608 CH 1H 330J-T	T	46.6/24.9
C457	4030007080	S.CER C1608 CH 1H 390J-T	T	49.2/23.6
C458	4030007070	S.CER C1608 CH 1H 330J-T	T	46.6/23.6
C459	4030006860	S.CER C1608 JB 1H 102K-T	T	42.9/30.4
C460	4030006860	S.CER C1608 JB 1H 102K-T	T	43.2/21.3
C462	4030006860	S.CER C1608 JB 1H 102K-T	T	45.9/20.3
C499	4030006860	S.CER C1608 JB 1H 102K-T	T	51.1/19.5
C500	4030006860	S.CER C1608 JB 1H 102K-T	T	36.3/18.7
C501	4030006860	S.CER C1608 JB 1H 102K-T	T	56.5/18.7
C502	4030006860	S.CER C1608 JB 1H 102K-T	T	56.1/16.4
C503	4030006860	S.CER C1608 JB 1H 102K-T	T	57.7/11.5
C504	4030007050	S.CER C1608 CH 1H 220J-T	T	57.7/8.7
C505	4030007050	S.CER C1608 CH 1H 220J-T	T	56.4/8.7
C506	4030007070	S.CER C1608 CH 1H 330J-T	T	53.4/7.2
C507	4030007030	S.CER C1608 CH 1H 150J-T	T	52.6/11.9
C508	4030006980	S.CER C1608 CH 1H 070D-T	T	52.6/10.6
C509	4030007050	S.CER C1608 CH 1H 220J-T	T	51.9/7.2
C510	4030007110	S.CER C1608 CH 1H 680J-T	T	49.8/9.3
C511	4030011280	S.CER C1608 CH 1H 271J-T	T	49.8

[PLL UNIT]

REF NO.	PARTS NO.	DESCRIPTION	M.	H/V LOCATION
C709	4030011600	S.CER C1608 JB 1E 104K-T	T	75.5/91.8
C710	4030011600	S.CER C1608 JB 1E 104K-T	T	63.4/76.9
C713	4030007050	S.CER C1608 CH 1H 220J-T	T	63.5/96.7
C715	4030007050	S.CER C1608 CH 1H 220J-T	T	64.3/102.1
C716	4030006860	S.CER C1608 JB 1H 102K-T	T	69.1/100.0
C717	4030011600	S.CER C1608 JB 1E 104K-T	T	73.3/102.1
C718	4030011600	S.CER C1608 JB 1E 104K-T	T	72.6/100.0
C800	4030019120	S.CER GRM188B31E105KA75D	T	88.4/109.3
C801	4030011600	S.CER C1608 JB 1E 104K-T	T	81.7/106.6
C803	4030006900	S.CER C1608 JB 1H 103K-T	T	79.4/105.8
C805	4030008870	S.CER C1608 JB 1H 183K-T	T	75.5/106.6
C807	4030006900	S.CER C1608 JB 1H 103K-T	T	72.8/109.0
C808	4030010770	S.CER C1608 JB 1H 392K-T	T	71.5/109.0
C810	4030010770	S.CER C1608 JB 1H 392K-T	T	69.5/109.8
C850	4030019120	S.CER GRM188B31E105KA75D	T	95.8/102.2
C851	4030006900	S.CER C1608 JB 1H 103K-T	T	90.5/99.0
C853	4030008870	S.CER C1608 JB 1H 183K-T	T	90.2/96.3
C855	4030006900	S.CER C1608 JB 1H 103K-T	T	89.0/92.5
C856	4030010770	S.CER C1608 JB 1H 392K-T	T	86.7/91.7
C858	4030010770	S.CER C1608 JB 1H 392K-T	T	87.5/88.4
C901	4030006860	S.CER C1608 JB 1H 102K-T	T	97.2/110.6
C902	4030006860	S.CER C1608 JB 1H 102K-T	T	93.6/113.3
C903	4030007050	S.CER C1608 CH 1H 220J-T	T	88.4/113.8
C904	4030006860	S.CER C1608 JB 1H 102K-T	T	97.1/116.1
C981	4030007030	S.CER C1608 CH 1H 150J-T	T	51.0/108.9
C982	4030007010	S.CER C1608 CH 1H 100D-T	T	47.2/112.3
C983	4030007030	S.CER C1608 CH 1H 150J-T	T	39.0/109.5
J1	6510022472	S.CON 40FLT-SM2-TB(LF)(SN)(M)	T	22.3/16.0
J81	6510019991	S.CON 52808-2271(2291)	T	5.0/67.0
J501	6510007020	CON TMP-J01X-V6		
J571	6510007020	CON TMP-J01X-V6		
J671	6510007020	CON TMP-J01X-V6		
J701	6510007020	CON TMP-J01X-V6		
J851	6510007020	CON TMP-J01X-V6		
J852	6510007020	CON TMP-J01X-V6		
EP6	6910014640	S.BEA MPZ2012S221A-T	T	28.1/11.3
EP7	6910014640	S.BEA MPZ2012S221A-T	T	26.6/20.3
EP8	6910014640	S.BEA MPZ2012S221A-T	T	24.6/11.3
EP9	6910014640	S.BEA MPZ2012S221A-T	T	23.9/20.3
EP10	6910014640	S.BEA MPZ2012S221A-T	T	22.2/20.3
EP11	6910014640	S.BEA MPZ2012S221A-T	T	20.4/20.3
EP83	6910014690	S.BEA MPZ1608S221A-T	T	10.0/73.6
EP84	6910014690	S.BEA MPZ1608S221A-T	T	10.0/72.4
EP85	6910014690	S.BEA MPZ1608S221A-T	T	10.0/71.2
EP86	6910014690	S.BEA MPZ1608S221A-T	T	10.0/70.0
EP95	6910014690	S.BEA MPZ1608S221A-T	T	10.0/59.2
EP96	6910014690	S.BEA MPZ1608S221A-T	T	10.0/58.0
EP121	6910014640	S.BEA MPZ2012S221A-T	T	28.9/76.0
EP151	6910002161	CAS CASE-BM7H-LF		
EP354	6910002161	CAS CASE-BM7H-LF		
EP355	6910012350	S.BEA MMZ1608Y 102BT	T	42.1/63.5
EP500	6910012350	S.BEA MMZ1608Y 102BT	T	38.3/17.6
EP501	6910012350	S.BEA MMZ1608Y 102BT	T	54.1/13.4
EP661	6910012350	S.BEA MMZ1608Y 102BT	T	101.3/64.7

[RF-A UNIT]

REF NO.	PARTS NO.	DESCRIPTION	M.	H/V LOCATION
IC303	1130011530	S.IC CD74HC4094M96	B	66.7/21.2
IC305	1130011530	S.IC CD74HC4094M96	B	77.1/21.2
IC601	1110006420	S.IC UPC2708TB-E3-A	T	44.9/14.3
IC1121	1130012900	S.IC TC74LCX00FT (EL)	T	96.9/13.1
IC1221	1110005450	S.IC TS522IDT	B	117.2/42.7
IC1222	1110006190	S.IC NJM074M-TE1-#ZZZB	B	116.3/29.6
Q309	1590003790	S.TRA KRC404E RTK/P	T	61.7/21.0
Q310	1590003770	S.TRA KRA302E-RTK/P	T	59.3/21.0
Q311	1590003790	S.TRA KRC404E RTK/P	T	61.7/18.9
Q312	1590003770	S.TRA KRA302E-RTK/P	T	59.3/18.9
Q317	1590003790	S.TRA KRC404E RTK/P	T	64.1/17.8
Q319	1590003790	S.TRA KRC404E RTK/P	T	66.1/17.8
Q321	1590003790	S.TRA KRC404E RTK/P	T	82.1/17.8
Q323	1590003790	S.TRA KRC404E RTK/P	T	70.1/17.8
Q325	1590003790	S.TRA KRC404E RTK/P	T	76.1/17.8
Q327	1590003790	S.TRA KRC404E RTK/P	T	78.1/18.0
Q329	1590003790	S.TRA KRC404E RTK/P	T	80.1/17.8
Q331	1590003790	S.TRA KRC404E RTK/P	T	68.1/17.8
Q333	1590003790	S.TRA KRC404E RTK/P	T	72.1/17.8
Q335	1590003790	S.TRA KRC404E RTK/P	T	74.1/18.0
Q337	1590003790	S.TRA KRC404E RTK/P	T	84.1/17.8
Q481	1540000550	S.TRA 2SD1664 T100Q	T	55.4/11.1
Q482	1530003900	S.TRA KTC4075 BL-RTK/P	T	50.8/13.5
Q491	1540000550	S.TRA 2SD1664 T100Q	T	54.9/17.0
Q492	1530003900	S.TRA KTC4075 BL-RTK/P	T	50.4/20.1
Q601	1590003770	S.TRA KRA302E-RTK/P	T	39.8/11.0
Q602	1590003790	S.TRA KRC404E RTK/P	T	39.9/8.8
Q611	1580000820	S.FET 3SK264-5-TG-E	T	41.1/53.0
Q701	1590003790	S.TRA KRC404E RTK/P	T	51.0/7.9
Q702	1590003770	S.TRA KRA302E-RTK/P	T	48.6/7.9
Q721	1560000641	S.FET 2SK1740-4/5-TB-E	B	32.0/38.6
Q722	1560000641	S.FET 2SK1740-4/5-TB-E	T	27.9/38.6
Q723	1560000641	S.FET 2SK1740-4/5-TB-E	T	32.0/38.6
Q724	1560000641	S.FET 2SK1740-4/5-TB-E	B	28.3/38.6
Q725	1590003770	S.TRA KRA302E-RTK/P	T	37.6/51.0
Q726	1590003790	S.TRA KRC404E RTK/P	T	35.2/54.4
Q741	1530003340	S.TRA 2SC3357-T1 RF	T	35.7/60.5
Q811	1530003340	S.TRA 2SC3357-T1 RF	T	7.9/35.2
Q861	1590003770	S.TRA KRA302E-RTK/P	T	21.7/27.0
Q862	1590003770	S.TRA KRA302E-RTK/P	T	21.7/24.2
Q863	1590003790	S.TRA KRC404E RTK/P	T	24.0/22.1
Q864	1560001360	S.FET 2SK3019 TL	T	24.0/27.0
Q865	1590003770	S.TRA KRA302E-RTK/P	T	21.7/21.3
Q866	1590003790	S.TRA KRC404E RTK/P	T	24.0/21.3
Q1051	1530003842	S.TRA 2SC5501A-4-TR-E	T	96.0/53.6
Q1071	1530003021	S.TRA 2SC4402-3-TL-E	B	98.7/57.8
Q1072	1530003021	S.TRA 2SC4402-3-TL-E	B	103.2/59.4
Q1141	1530003950	S.TRA KTC4080 Y-RTK/P	T	90.2/14.4
Q1201	1530004011	S.TRA KTC3770U-C-RTK/P	T	107.7/29.2
Q1251	1530004011	S.TRA KTC3770U-C-RTK/P	T	107.7/37.3
D481	1750001180	S.DIO KDS122 RTK/P	T	51.5/10.4
D491	1750001180	S.DIO KDS122 RTK/P	T	50.8/16.9
D601	1750000581	S.DIO 1SV307(TPH3F)	B	46.0/62.0
D602	1750000581	S.DIO 1SV307(TPH3F)	B	38.3/9.5
D651	1750000431	S.DIO HSB88WSTR-E	T	40.5/29.1
D701	1750000581	S.DIO 1SV307(TPH3F)	B	39.4/6.8
D702	1750000581	S.DIO 1SV307(TPH3F)	B	45.2/6.0
D781	1750000581	S.DIO 1SV307(TPH3F)	B	46.0/63.7
D851	1750000581	S.DIO 1SV307(TPH3F)	B	15.2/37.2
D852	1750000581	S.DIO 1SV307(TPH3F)	B	14.2/39.9
D861	1750000581	S.DIO 1SV307(TPH3F)	T	13.3/31.0
D862	1750000581	S.DIO 1SV307(TPH3F)	T	10.1/31.0
D863	1750000581	S.DIO 1SV307(TPH3F)	T	12.5/22.0
D864	1750000581	S.DIO 1SV307(TPH3F)	T	10.5/22.0
D865	1750001320	S.DIO KDS4148U RTK/P	B	69.5/7.4
D866	1750001320	S.DIO KDS4148U RTK/P	B	71.1/9.2
D867	1750000581	S.DIO 1SV307(TPH3F)	T	8.3/30.9
D868	1750000581	S.DIO 1SV307(TPH3F)	T	8.7/22.0
D869	1750001320	S.DIO KDS4148U RTK/P	B	22.6/24.3
D870	1750001320	S.DIO KDS4148U RTK/P	B	22.6/21.4
D911	1750000581	S.DIO 1SV307(TPH3F)	B	51.2/58.8
D912	1750000581	S.DIO 1SV307(TPH3F)	B	81.4/58.0
D931	1750000581	S.DIO 1SV307(TPH3F)	B	51.2/54.7
D932	1750000581	S.DIO 1SV307(TPH3F)	B	81.4/54.9
D951	1750000581	S.DIO 1SV307(TPH3F)	B	48.2/51.8
D952	1750000581	S.DIO 1SV307(TPH3F)	B	84.6/51.8
D1011	1750000581	S.DIO 1SV307(TPH3F)	B	85.7/64.4
D1031	1750000581	S.DIO 1SV307(TPH3F)	B	85.5/59.3
D1101	1750000431	S.DIO HSB88WSTR-E	T	93.3/34.6
D1102	1750000431	S.DIO HSB88WSTR-E	T	100.9/31.4
FI911	2030000800	S.MON MFT64.4R 64.455 MHz (FL-434)	T	66.5/62.9
L501	6200005491	S.COI NLV32T-331J	B	36.0/15.6
L601	6200005011	S.COI NLV25T-100J	B	45.7/56.1
L602	6200005491	S.COI NLV32T-331J	B	45.1/13.3
L603	6200005041	S.COI NLV25T-220J	T	42.3/13.9
L611	6200002611	S.COI NLV25T-R47J	B	42.6/55.6
L612	6150004280	COI LS-484B (C-14927)		
L613	6200005011	S.COI NLV25T-100J	B	44.6/51.2
L631	6200004600	S.COI MLF1608D R15K-T	B	46.5/42.6
L632	6200004600	S.COI MLF1608D R15K-T	B	44.5/35.7
L651	6130002961	S.COI #617DB-1327=P3	T	40.5/35.6
L652	6130002961	S.COI #617DB-1327=P3	T	40.5/22.6
L671	6200002431	S.COI NLV25T-082J	B	41.3/22.4
L672	6200002641	S.COI NLV25T-R15J	B	46.1/21.0
L701	6200005491	S.COI NLV32T-331J	T	45.3/7.2
L702	6200010660	S.COI C2520C-R15G-A (0.15U)	T	35.6/7.8
L703	6200010660	S.COI C2520C-R15G-A (0.15U)	T	36.1/11.3

M.=Mounted side (T: Mounted on the Top side, B: Mounted on the Bottom side)
S.=Surface mount

[RF-A UNIT]

REF NO.	PARTS NO.	DESCRIPTION	M.	H/V LOCATION
L704	6200010860	S.COI C2520C-R10G-A (0.1U)	T	35.2/16.3
L721	6140004680	S.COI LR-528 4KB1	T	30.2/23.9
L722	6200009060	S.COI LQH32CN101K23L	B	36.2/49.6
L723	6150005320	COI LS-546 7K7		
L741	6200005011	S.COI NLV25T-100J	B	36.6/58.3
L742	6200005011	S.COI NLV25T-100J	T	42.1/66.0
L743	6200010740	S.COI C2520C-R27G-A	T	37.9/65.5
L781	6200005011	S.COI NLV25T-100J	B	41.7/63.6
L811	6200003281	S.COI NLV25T-2R2J	T	12.4/35.2
L812	6200005011	S.COI NLV25T-100J	B	15.0/32.6
L831	6200011680	S.COI LQW18ANR12G00D	T	8.5/43.5
L832	6200011650	S.COI LQW18AN68NG00D	T	10.5/42.7
L833	6200011650	S.COI LQW18AN68NG00D	T	12.4/43.5
L851	6130002961	S.COI #617DB-1327=P3	T	19.8/38.6
L852	6200005011	S.COI NLV25T-100J	B	11.6/45.1
L853	6200005011	S.COI NLV25T-100J	B	45.0/33.2
L854	6200005011	S.COI NLV25T-100J	B	22.6/41.9
L855	6200008080	S.COI LQW2BHN22J03L	T	21.2/42.0
L856	6200008080	S.COI LQW2BHN22J03L	T	21.2/35.1
L861	6200011770	S.COI LQW18ANR10G00D	T	14.0/24.4
L862	6200011770	S.COI LQW18ANR10G00D	T	16.0/21.2
L863	6200011770	S.COI LQW18ANR10G00D	T	16.0/26.4
L864	6200009250	S.COI LQW18ANR22G00D (LQW1608AR22G00)	T	16.4/28.4
L865	6200003281	S.COI NLV25T-2R2J	B	19.3/17.2
L866	6200003281	S.COI NLV25T-2R2J	B	5.2/32.0
L867	6200003281	S.COI NLV25T-2R2J	B	10.5/25.4
L868	6200011660	S.COI LQW18ANR15G00D	T	7.0/24.4
L869	6200011670	S.COI LQW18AN82NG00D	T	5.0/21.7
L870	6200011770	S.COI LQW18ANR10G00D	T	5.0/26.7
L871	6200006671	S.COI ELJ9E 68NGFA	T	12.2/27.2
L901	6200005011	S.COI NLV25T-100J	B	48.7/66.2
L902	6200005011	S.COI NLV25T-100J	B	51.2/66.2
L903	6200005011	S.COI NLV25T-100J	B	81.1/65.4
L911	6200005011	S.COI NLV25T-100J	B	57.0/55.7
L912	6200010870	S.COI C2520C-R33G-A (0.33U)	T	55.3/64.5
L915	6200010870	S.COI C2520C-R33G-A (0.33U)	T	77.8/61.3
L916	6200005011	S.COI NLV25T-100J	B	74.7/55.7
L931	6200005011	S.COI NLV25T-100J	B	55.2/52.4
L932	6200005011	S.COI NLV25T-100J	B	66.2/53.4
L951	6200005011	S.COI NLV25T-100J	B	53.3/37.1
L952	6200005011	S.COI NLV25T-100J	B	79.8/37.1
L1001	6200005011	S.COI NLV25T-100J	B	83.6/66.2
L1011	6200005011	S.COI NLV25T-100J	B	88.0/64.4
L1031	6200005011	S.COI NLV25T-100J	B	87.1/54.0
L1032	6200010860	S.COI C2520C-R10G-A (0.1U)	T	85.5/59.6
L1033	6200010720	S.COI C2520C-56NG-A	T	89.2/58.8
L1051	6140003930	COI LR-492		
L1071	6190001621	COI #E544EN-100028		
L1072	6200005011	S.COI NLV25T-100J	B	107.8/56.4
L1101	6140002810	S.COI LR-317	T	93.1/40.8
L1102	6140002810	S.COI LR-317	B	100.8/39.0
L1103	6140002810	S.COI LR-317	B	109.9/33.6
L1104	6140002810	S.COI LR-317	T	100.9/25.2
L1121	6200010670	S.COI C2520C-R18G-A (0.18U)	T	103.0/16.6
L1122	6200005011	S.COI NLV25T-100J	B	101.6/11.7
L1141	6200005011	S.COI NLV25T-100J	B	92.3/17.2
L1221	6200003520	S.COI ELJFB 102K-F	B	108.1/46.3
R301	7030003860	S.RES ERJ3GE JPW V	T	73.5/22.5
R314	7030003860	S.RES ERJ3GE JPW V	T	58.9/32.5
R315	7030003560	S.RES ERJ3GEYJ 103 V (10K)	B	58.4/50.1
R316	7030003560	S.RES ERJ3GEYJ 103 V (10K)	B	57.0/37.5
R317	7030003440	S.RES ERJ3GEYJ 102 V (1K)	T	66.1/14.7
R319	7030003440	S.RES ERJ3GEYJ 102 V (1K)	T	67.3/14.7
R321	7030003440	S.RES ERJ3GEYJ 102 V (1K)	T	77.8/13.9
R323	7030003440	S.RES ERJ3GEYJ 102 V (1K)	T	69.7/14.7
R325	7030003440	S.RES ERJ3GEYJ 102 V (1K)	T	73.9/14.7
R326	7030003520	S.RES ERJ3GEYJ 472 V (4.7K)	B	79.5/25.9
R327	7030003440	S.RES ERJ3GEYJ 102 V (1K)	T	75.1/14.7
R329	7030003440	S.RES ERJ3GEYJ 102 V (1K)	T	77.0/15.4
R331	7030003440	S.RES ERJ3GEYJ 102 V (1K)	T	68.5/14.7
R333	7030003440	S.RES ERJ3GEYJ 102 V (1K)	T	71.2/14.7
R335	7030003440	S.RES ERJ3GEYJ 102 V (1K)	T	72.4/14.7
R343	7030003440	S.RES ERJ3GEYJ 102 V (1K)	T	79.8/14.7
R351	7030003440	S.RES ERJ3GEYJ 102 V (1K)	T	63.7/14.7
R352	7030003440	S.RES ERJ3GEYJ 102 V (1K)	T	64.9/14.7
R353	7030003440	S.RES ERJ3GEYJ 102 V (1K)	T	62.5/14.7
R451	7030003320	S.RES ERJ3GEYJ 101 V (100)	B	69.1/28.0
R452	7030003320	S.RES ERJ3GEYJ 101 V (100)	B	72.7/28.1
R453	7030003320	S.RES ERJ3GEYJ 101 V (100)	B	70.9/27.3
R454	7030003320	S.RES ERJ3GEYJ 101 V (100)	B	67.0/28.0
R455	7030004050	S.RES ERJ3GEYJ 1R0 V (1)	T	62.6/30.0
R456	7030004050	S.RES ERJ3GEYJ 1R0 V (1)	T	62.6/29.4
R457	7030003560	S.RES ERJ3GEYJ 103 V (10K)	T	85.2/31.2
R458	7030003560	S.RES ERJ3GEYJ 103 V (10K)	T	83.9/31.2
R459	7030003860	S.RES ERJ3GE JPW V	B	73.8/32.7
R481	7030003560	S.RES ERJ3GEYJ 103 V (10K)	T	53.5/14.4
R482	7030000200	S.RES MCR10EZJH 33 (330)	B	51.2/12.1
R483	7030003500	S.RES ERJ3GEYJ 332 V (3.3K)	B	51.0/17.6
R484	7030003500	S.RES ERJ3GEYJ 332 V (3.3K)	B	51.0/16.0
R485	7030003500	S.RES ERJ3GEYJ 332 V (3.3K)	B	51.0/14.4
R491	7030003560	S.RES ERJ3GEYJ 103 V (10K)	T	53.5/20.9
R492	7030000200	S.RES MCR10EZJH 33 (330)	B	52.6/27.1
R493	7030003500	S.RES ERJ3GEYJ 332 V (3.3K)	B	50.8/24.2
R494	7030003500	S.RES ERJ3GEYJ 332 V (3.3K)	B	50.8/22.6
R495	7030003500	S.RES ERJ3GEYJ 332 V (3.3K)	B	50.8/21.0
R496	7030000200	S.RES MCR10EZJH 33 (330)	B	54.6/27.1
R501	7030006260	S.RES ERJ12YJ471U (470)	B	35.1/10.8
R601	7030003320	S.RES ERJ3GEYJ 101 V (100)	B	46.0/58.8
R602	7030003320	S.RES ERJ3GEYJ 101 V (100)	B	41.2/13.3
R603	7030003370	S.RES ERJ3GEYJ 271 V (270)	T	44.7/10.0
R604	7030003230	S.RES ERJ3GEYJ 180 V (18)	T	44.7/11.2
R605	7030003370	S.RES ERJ3GEYJ 271 V (270)	T	46.7/11.7

[RF-A UNIT]

REF NO.	PARTS NO.	DESCRIPTION	M.	H/V LOCATION
R606	7030003200	S.RES ERJ3GEYJ 100 V (10)	T	41.1/16.2
R611	7030003540	S.RES ERJ3GEYJ 682 V (6.8K)	T	44.1/53.3
R612	7030003450	S.RES ERJ3GEYJ 122 V (1.2K)	T	39.0/56.1
R613	7030003220	S.RES ERJ3GEYJ 150 V (15)	T	38.8/53.4
R615	7030003340	S.RES ERJ3GEYJ 151 V (150)	T	46.4/56.0
R616	7030003500	S.RES ERJ3GEYJ 332 V (3.3K)	T	44.1/52.0
R617	7030003260	S.RES ERJ3GEYJ 330 V (33)	T	43.5/56.1
R618	7510001561	S.THE NTCG16 4BH 102JT	T	40.2/56.1
R671	7030003320	S.RES ERJ3GEYJ 101 V (100)	B	37.8/23.1
R701	7030003320	S.RES ERJ3GEYJ 101 V (100)	T	41.9/6.9
R702	7030003640	S.RES ERJ3GEYJ 473 V (47K)	B	47.5/5.2
R703	7030003560	S.RES ERJ3GEYJ 103 V (10K)	B	51.5/6.0
R704	7030003480	S.RES ERJ3GEYJ 222 V (2.2K)	B	47.5/6.8
R705	7030003600	S.RES ERJ3GEYJ 223 V (22K)	B	53.8/6.8
R706	7030003640	S.RES ERJ3GEYJ 473 V (47K)	T	48.8/5.1
R721	7030003400	S.RES ERJ3GEYJ 471 V (470)	T	29.4/29.0
R722	7030003400	S.RES ERJ3GEYJ 471 V (470)	B	26.2/29.0
R723	7030003400	S.RES ERJ3GEYJ 471 V (470)	B	30.9/29.0
R724	7030003400	S.RES ERJ3GEYJ 471 V (470)	T	32.5/29.0
R725	7310004860	S.TRI EVM-3YSX50 B53 (502)	T	27.9/34.1
R726	7310004860	S.TRI EVM-3YSX50 B53 (502)	T	32.2/34.1
R741	7030003280	S.RES ERJ3GEYJ 470 V (47)	B	32.6/56.4
R742	7030003250	S.RES ERJ3GEYJ 270 V (27)	B	36.5/61.0
R743	7030003420	S.RES ERJ3GEYJ 681 V (680)	T	38.9/61.5
R744	7030003480	S.RES ERJ3GEYJ 222 V (2.2K)	T	41.5/62.7
R746	7030003200	S.RES ERJ3GEYJ 100 V (10)	B	34.2/60.3
R761	7030004030	S.RES ERJ3GEYJ 5R6 V (5.6)	B	38.0/67.0
R762	7030003360	S.RES ERJ3GEYJ 221 V (220)	B	38.0/65.4
R763	7030004030	S.RES ERJ3GEYJ 5R6 V (5.6)	B	41.1/67.0
R781	7030003320	S.RES ERJ3GEYJ 101 V (100)	B	44.2/65.3
R811	7030003450	S.RES ERJ3GEYJ 122 V (1.2K)	T	4.9/30.8
R812	7030003420	S.RES ERJ3GEYJ 681 V (680)	T	4.1/33.9
R813	7030003380	S.RES ERJ3GEYJ 331 V (330)	T	12.0/33.3
R814	7030004040	S.RES ERJ3GEYJ 4R7 V (4.7)	T	12.0/37.1
R851	7030003410	S.RES ERJ3GEYJ 561 V (560)	B	12.6/42.2
R852	7030007860	S.RES ERJ3GEYJ 8R2V (8.2)	B	15.2/42.2
R853	7030003340	S.RES ERJ3GEYJ 151 V (150)	B	19.1/41.5
R854	7030007860	S.RES ERJ3GEYJ 8R2V (8.2)	B	16.5/41.5
R855	7030003860	S.RES ERJ3GE JPW V	B	33.3/33.1
R856	7030003340	S.RES ERJ3GEYJ 151 V (150)	B	39.5/33.1
R857	7030003860	S.RES ERJ3GE JPW V	B	36.4/33.1
R858	7030003320	S.RES ERJ3GEYJ 101 V (100)	T	23.7/40.0
R859	7030003320	S.RES ERJ3GEYJ 101 V (100)	T	23.7/37.2
R861	7030003410	S.RES ERJ3GEYJ 561 V (560)	B	14.8/23.5
R862	7030003410	S.RES ERJ3GEYJ 561 V (560)	B	14.8/29.5
R863	7030003410	S.RES ERJ3GEYJ 561 V (560)	T	10.3/25.0
R864	7030003410	S.RES ERJ3GEYJ 561 V (560)	T	10.3/28.1
R865	7030003360	S.RES ERJ3GEYJ 221 V (220)	B	8.7/32.0
R866	7030003360	S.RES ERJ3GEYJ 221 V (220)	B	15.8/18.2
R867	7030003640	S.RES ERJ3GEYJ 473 V (47K)	T	20.0/24.5
R868	7030003640	S.RES ERJ3GEYJ 473 V (47K)	T	20.0/27.3
R870	7030003410	S.RES ERJ3GEYJ 561 V (560)	B	6.7/22.7
R871	7030003410	S.RES ERJ3GEYJ 561 V (560)	B	6.7/29.1
R872	7030003640	S.RES ERJ3GEYJ 473 V (47K)	B	22.3/26.1
R873	7030003640	S.RES ERJ3GEYJ 473 V (47K)	T	20.0/21.7
R901	7030003410	S.RES ERJ3GEYJ 561 V (560)	B	48.7/62.7
R902	7030003410	S.RES ERJ3GEYJ 561 V (560)	B	50.4/62.0
R903	7030003410	S.RES ERJ3GEYJ 561 V (560)	B	82.3/61.9
R911	7030003320	S.RES ERJ3GEYJ 101 V (100)	B	53.0/56.6
R912	7030003320	S.RES ERJ3GEYJ 101 V (100)	B	78.2/56.6
R931	7030003320	S.RES ERJ3GEYJ 101 V (100)	B	52.9/52.1
R932	7030003320	S.RES ERJ3GEYJ 101 V (100)	B	72.3/53.4
R951	7030003320	S.RES ERJ3GEYJ 101 V (100)	B	53.7/40.6
R952	7030003320	S.RES ERJ3GEYJ 101 V (100)	B	80.8/39.9
R1001	7030003410	S.RES ERJ3GEYJ 561 V (560)	B	83.9/62.7
R1011	7030003320	S.RES ERJ3GEYJ 101 V (100)	B	87.5/66.9
R1021	7030003400	S.RES ERJ3GEYJ 471 V (470)	T	88.3/67.4
R1022	7030003200	S.RES ERJ3GEYJ 100 V (10)	T	90.4/68.1
R1023	7030003400	S.RES ERJ3GEYJ 471 V (470)	T	92.4/67.4
R1031	7030003320	S.RES ERJ3GEYJ 101 V (100)	B	87.1/57.5
R1051	7030003440	S.RES ERJ3GEYJ 102 V (1K)	T	93.1/54.2
R1052	7030003400	S.RES ERJ3GEYJ 471 V (470)	T	93.1/52.9
R1053	7030003520	S.RES ERJ3GEYJ 472 V (4.7K)	B	93.1/51.6
R1054	7030003200	S.RES ERJ3GEYJ 100 V (10)	B	96.1/54.7
R1055	7030003300	S.RES ERJ3GEYJ 680 V (68)	B	95.9/58.6
R1057	7030003340	S.RES ERJ3GEYJ 151 V (150)	B	90.0/51.2
R1058	7030003550	S.RES ERJ3GEYJ 822 V (8.2K)	T	95.2/50.9
R1071	7030003200	S.RES ERJ3GEYJ 100 V (10)	B	101.0/59.5
R1072	7030003200	S.RES ERJ3GEYJ 100 V (10)	B	100.4/54.5
R1073	7030003200	S.RES ERJ3GEYJ 100 V (10)		

[RF-A UNIT]

REF NO.	PARTS NO.	DESCRIPTION	M.	H/V LOCATION
R1224	7030009891	S.RES ERA3YED 151V (150)	B	123.0/42.4
R1225	7030005321	S.RES ERA3YED 103V (10K)	B	110.4/35.4
R1226	7030007230	S.RES ERA3YED 102V (1K)	B	113.1/45.1
R1227	7030007230	S.RES ERA3YED 102V (1K)	B	123.0/45.6
R1228	7030005321	S.RES ERA3YED 103V (10K)	B	110.4/32.1
R1229	7030005321	S.RES ERA3YED 103V (10K)	B	110.4/29.0
R1230	7030005321	S.RES ERA3YED 103V (10K)	B	112.0/36.2
R1251	7030010980	S.RES ERA3YHD 470V (47)	B	92.6/41.1
R1252	7030003240	S.RES ERJ3GEYJ 220 V (22)	B	94.9/40.3
R1253	7030003320	S.RES ERJ3GEYJ 101 V (100)	T	106.0/34.7
R1254	7030011050	S.RES ERA3YHD 100V (10)	T	108.6/34.7
R1255	7030003460	S.RES ERJ3GEYJ 152 V (1.5K)	T	107.3/42.8
R1271	7030003420	S.RES ERJ3GEYJ 681 V (680)	B	105.8/42.9
R1272	7030007230	S.RES ERA3YED 102V (1K)	B	113.1/41.1
R1273	7030007230	S.RES ERA3YED 102V (1K)	B	113.1/38.8
R1274	7030006601	S.RES ERA3YED 272V (2.7K)	B	123.0/39.2
R1275	7030007230	S.RES ERA3YED 102V (1K)	B	123.7/40.8
R1276	7310004780	S.TRI EVM-3YSX50 B13 (102)	T	121.2/36.4
R1277	7030005321	S.RES ERA3YED 103V (10K)	B	122.5/35.5
R1278	7030005321	S.RES ERA3YED 103V (10K)	B	120.8/36.4
R1279	7030005321	S.RES ERA3YED 103V (10K)	B	122.5/32.3
R1280	7030005321	S.RES ERA3YED 103V (10K)	B	122.5/29.2
R1281	7030006571	S.RES ERA3YED 392V (3.9K)	B	122.5/26.1
R1285	7030006571	S.RES ERA3YED 392V (3.9K)	B	112.8/24.5
R1292	7030003320	S.RES ERJ3GEYJ 101 V (100)	T	115.9/36.4
R1293	7030003320	S.RES ERJ3GEYJ 101 V (100)	T	118.6/45.9
R1294	7030003320	S.RES ERJ3GEYJ 101 V (100)	T	115.9/34.0
R1295	7030003320	S.RES ERJ3GEYJ 101 V (100)	T	118.7/34.0
R1302	7030003860	S.RES ERJ3GE JPW V	B	119.8/24.5
R1303	7030009691	S.RES ERA3YED 101V (100)	T	112.8/24.5
R1701	7030003860	S.RES ERJ3GE JPW V	B	2.7/39.0
R1702	7030003860	S.RES ERJ3GE JPW V	B	15.7/52.0
R1703	7030003860	S.RES ERJ3GE JPW V	B	35.2/38.9
C302	4030011600	S.CER C1608 JB 1E 104K-T	B	72.0/15.9
C303	4030011600	S.CER C1608 JB 1E 104K-T	B	62.0/15.7
C305	4030011600	S.CER C1608 JB 1E 104K-T	B	77.3/13.0
C451	4030011600	S.CER C1608 JB 1E 104K-T	T	80.1/32.0
C452	4030019560	S.CER GRM21BB31C106KE15L	B	80.2/32.7
C453	4030011600	S.CER C1608 JB 1E 104K-T	T	63.3/32.7
C454	4030019560	S.CER GRM21BB31C106KE15L	B	60.4/29.8
C455	4030011600	S.CER C1608 JB 1E 104K-T	T	82.6/32.0
C456	4030019560	S.CER GRM21BB31C106KE15L	B	82.6/33.7
C457	4030011600	S.CER C1608 JB 1E 104K-T	T	77.7/32.0
C458	4030019560	S.CER GRM21BB31C106KE15L	B	77.7/32.7
C459	4030007130	S.CER C1608 CH 1H 101J-T	T	70.0/32.7
C460	4030007130	S.CER C1608 CH 1H 101J-T	T	72.6/32.7
C461	4030007130	S.CER C1608 CH 1H 101J-T	T	71.3/32.7
C462	4030007130	S.CER C1608 CH 1H 101J-T	T	68.7/32.7
C463	4030017810	S.CER C1608 CH 1H 102J-T	T	74.4/32.7
C464	4030006860	S.CER C1608 JB 1H 102K-T	T	75.7/32.7
C465	4030011600	S.CER C1608 JB 1E 104K-T	T	78.9/32.0
C466	4030007130	S.CER C1608 CH 1H 101J-T	T	65.9/32.7
C467	4030007130	S.CER C1608 CH 1H 101J-T	T	67.2/32.7
C468	4030011600	S.CER C1608 JB 1E 104K-T	T	64.6/32.7
C469	4510008510	S.ELE EEE1CA471P	T	53.8/26.9
C470	4030011600	S.CER C1608 JB 1E 104K-T	B	89.4/30.2
C471	4030011600	S.CER C1608 JB 1E 104K-T	T	82.5/14.6
C472	4030011600	S.CER C1608 JB 1E 104K-T	T	61.6/22.7
C473	4030007130	S.CER C1608 CH 1H 101J-T	B	83.9/9.5
C474	4030007130	S.CER C1608 CH 1H 101J-T	B	83.9/11.1
C475	4030011600	S.CER C1608 JB 1E 104K-T	B	89.0/25.4
C476	4030006860	S.CER C1608 JB 1H 102K-T	B	89.4/27.0
C478	4030011600	S.CER C1608 JB 1E 104K-T	B	90.1/28.6
C479	4030011600	S.CER C1608 JB 1E 104K-T	B	86.0/34.3
C480	4030011600	S.CER C1608 JB 1E 104K-T	B	86.0/31.8
C481	4030017480	S.CER C1608 JB 1A 474K-T	T	48.9/13.4
C491	4030017480	S.CER C1608 JB 1A 474K-T	T	48.5/20.2
C501	4030019120	S.CER GRM188B31E105KA75D	B	36.7/6.0
C601	4030017810	S.CER C1608 CH 1H 102J-T	B	44.4/60.4
C602	4030006900	S.CER C1608 JB 1H 103K-T	B	44.9/53.3
C603	4030011600	S.CER C1608 JB 1E 104K-T	B	40.4/12.0
C604	4030011600	S.CER C1608 JB 1E 104K-T	B	45.8/10.9
C605	4030011600	S.CER C1608 JB 1E 104K-T	T	44.7/12.4
C606	4030011600	S.CER C1608 JB 1E 104K-T	T	43.8/16.2
C607	4030011600	S.CER C1608 JB 1E 104K-T	T	45.8/17.0
C611	4030017810	S.CER C1608 CH 1H 102J-T	T	42.3/56.1
C612	4030017810	S.CER C1608 CH 1H 102J-T	T	37.8/56.1
C613	4030007020	S.CER C1608 CH 1H 120J-T	T	40.5/58.1
C614	4030017810	S.CER C1608 CH 1H 102J-T	T	44.7/56.1
C615	4030007040	S.CER C1608 CH 1H 180J-T	T	44.1/50.8
C633	4030007100	S.CER C1608 CH 1H 560J-T	B	44.5/38.9
C634	4030006980	S.CER C1608 CH 1H 070D-T	B	44.5/37.3
C635	4030007100	S.CER C1608 CH 1H 560J-T	B	42.2/37.1
C636	4030009920	S.CER C1608 CH 1H 050B-T	B	44.5/40.5
C651	4030009920	S.CER C1608 CH 1H 050B-T	T	40.5/31.6
C652	4030007040	S.CER C1608 CH 1H 180J-T	T	40.5/26.6
C671	4030007100	S.CER C1608 CH 1H 560J-T	B	41.3/24.6
C672	4030007110	S.CER C1608 CH 1H 680J-T	B	41.3/20.2
C673	4030007130	S.CER C1608 CH 1H 101J-T	B	44.0/24.2
C674	4030007040	S.CER C1608 CH 1H 180J-T	B	44.0/20.7
C675	4030007120	S.CER C1608 CH 1H 820J-T	B	48.3/20.7
C701	4030007070	S.CER C1608 CH 1H 330J-T	T	33.4/5.7
C702	4030006990	S.CER C1608 CH 1H 080D-T	T	33.4/8.4
C703	4030007110	S.CER C1608 CH 1H 680J-T	T	33.4/11.1
C704	4030007030	S.CER C1608 CH 1H 150J-T	T	36.8/13.6
C705	4030007100	S.CER C1608 CH 1H 560J-T	T	34.1/13.6
C706	4030019120	S.CER GRM188B31E105KA75D	T	39.2/6.9
C708	4030007170	S.CER C1608 CH 1H 221J-T	B	42.8/6.8
C710	4030011600	S.CER C1608 JB 1E 104K-T	T	48.8/6.3
C711	4030011600	S.CER C1608 JB 1E 104K-T	B	49.9/6.0
C721	4030011600	S.CER C1608 JB 1E 104K-T	B	28.7/29.0
C722	4030011600	S.CER C1608 JB 1E 104K-T	B	28.2/29.0
C723	4030011600	S.CER C1608 JB 1E 104K-T	B	32.5/29.0

[RF-A UNIT]

REF NO.	PARTS NO.	DESCRIPTION	M.	H/V LOCATION
C724	4030011600	S.CER C1608 JB 1E 104K-T	T	30.9/29.0
C725	4030007030	S.CER C1608 CH 1H 150J-T	B	27.2/42.4
C726	4030007030	S.CER C1608 CH 1H 150J-T	B	31.9/42.3
C727	4030011600	S.CER C1608 JB 1E 104K-T	B	30.1/42.2
C741	4030017810	S.CER C1608 CH 1H 102J-T	B	32.5/59.5
C742	4030011600	S.CER C1608 JB 1E 104K-T	T	40.2/61.5
C743	4030006900	S.CER C1608 JB 1H 103K-T	T	42.0/66.3
C744	4030011770	S.CER C1608 CH 1H 060B-T	T	35.7/65.4
C745	4030007040	S.CER C1608 CH 1H 180J-T	B	35.7/66.3
C746	4030009920	S.CER C1608 CH 1H 050B-T	B	34.2/57.2
C747	4030009920	S.CER C1608 CH 1H 050B-T	B	24.4/48.9
C781	4030006900	S.CER C1608 JB 1H 103K-T	B	44.2/67.0
C782	4030006900	S.CER C1608 JB 1H 103K-T	T	42.8/62.7
C811	4030017810	S.CER C1608 CH 1H 102J-T	T	4.9/32.0
C812	4030006900	S.CER C1608 JB 1H 103K-T	T	7.3/40.8
C814	4030011600	S.CER C1608 JB 1E 104K-T	T	13.8/37.8
C831	4030007020	S.CER C1608 CH 1H 120J-T	T	8.5/40.8
C832	4030007060	S.CER C1608 CH 1H 270J-T	T	9.7/40.8
C833	4030007020	S.CER C1608 CH 1H 120J-T	T	10.5/43.9
C834	4030006980	S.CER C1608 CH 1H 070D-T	T	13.6/43.5
C835	4030008560	S.CER C1608 CH 1H 300J-T	T	11.2/40.8
C836	4030007040	S.CER C1608 CH 1H 180J-T	T	12.4/40.8
C851	4030017810	S.CER C1608 CH 1H 102J-T	B	38.8/34.7
C852	4030017810	S.CER C1608 CH 1H 102J-T	B	17.8/40.7
C853	4030006900	S.CER C1608 JB 1H 103K-T	B	46.0/30.2
C854	4030006900	S.CER C1608 JB 1H 103K-T	B	24.8/42.2
C855	4030006900	S.CER C1608 JB 1H 103K-T	B	20.4/40.7
C856	4030006900	S.CER C1608 JB 1H 103K-T	B	42.2/32.4
C860	4030006900	S.CER C1608 JB 1H 103K-T	B	13.4/17.4
C861	4030006900	S.CER C1608 JB 1H 103K-T	B	15.6/25.0
C862	4030006900	S.CER C1608 JB 1H 103K-T	T	14.0/27.2
C863	4030006900	S.CER C1608 JB 1H 103K-T	B	15.6/28.0
C864	4030006900	S.CER C1608 JB 1H 103K-T	T	6.7/31.5
C865	4030006900	S.CER C1608 JB 1H 103K-T	T	9.1/25.7
C866	4030006990	S.CER C1608 CH 1H 080D-T	T	15.2/28.4
C867	4030006980	S.CER C1608 CH 1H 070D-T	T	16.0/25.2
C868	4030007010	S.CER C1608 CH 1H 100D-T	T	16.0/22.8
C869	4030007080	S.CER C1608 CH 1H 390J-T	T	16.0/23.4
C870	4030007080	S.CER C1608 CH 1H 390J-T	T	14.0/21.7
C871	4030006900	S.CER C1608 JB 1H 103K-T	B	6.0/24.3
C872	4030007060	S.CER C1608 CH 1H 270J-T	T	7.0/21.7
C873	4030008750	S.CER C1608 CH 1H 360J-T	T	5.0/22.9
C874	4030007070	S.CER C1608 CH 1H 330J-T	T	5.0/24.3
C875	4030007040	S.CER C1608 CH 1H 180J-T	T	5.0/25.5
C876	4030007060	S.CER C1608 CH 1H 270J-T	T	5.0/28.1
C877	4030006900	S.CER C1608 JB 1H 103K-T	T	7.0/28.1
C878	4030006900	S.CER C1608 JB 1H 103K-T	B	6.0/27.5
C879	4030007060	S.CER C1608 CH 1H 270J-T	T	11.5/29.0
C880	4030007060	S.CER C1608 CH 1H 270J-T	B	11.5/25.3
C901	4030006900	S.CER C1608 JB 1H 103K-T	B	48.7/59.6
C911	4030006900	S.CER C1608 JB 1H 103K-T	B	58.6/58.4
C912	4030006900	S.CER C1608 JB 1H 103K-T	B	52.3/61.2
C913	4030007030	S.CER C1608 CH 1H 150J-T	T	60.1/63.4
C914	4030009510	S.CER C1608 CH 1H 010B-T	T	61.4/63.4
C916	4030006990	S.CER C1608 CH 1H 080D-T	T	64.6/59.5
C917	4030006900	S.CER C1608 JB 1H 103K-T	B	80.3/60.3
C918	4030007030	S.CER C1608 CH 1H 150J-T	T	72.9/62.4
C919	4030009510	S.CER C1608 CH 1H 010B-T	T	71.6/62.4
C920	4030006900	S.CER C1608 JB 1H 103K-T	B	74.2/58.4
C931	4030006900	S.CER C1608 JB 1H 103K-T	B	57.5/52.7
C932	4030006900	S.CER C1608 JB 1H 103K-T	B	51.2/52.1
C933	4030006900	S.CER C1608 JB 1H 103K-T	B	80.3/51.2
C934	4030006900	S.CER C1608 JB 1H 103K-T	B	62.7/52.7
C951	4030006900	S.CER C1608 JB 1H 103K-T	B	52.7/43.1
C952	4030006900	S.CER C1608 JB 1H 103K-T	B	55.4/37.5
C953	4030006900	S.CER C1608 JB 1H 103K-T	B	82.1/43.2
C954	4030006900	S.CER C1608 JB 1H 103K-T	B	77.9/36.8
C1001	4030006900	S.CER C1608 JB 1H 103K-T	B	83.2/59.6
C1011	4030006900	S.CER C1608 JB 1H 103K-T	T	86.3/68.1
C1012	4030006900	S.CER C1608 JB 1H 103K-T	B	88.7/61.6
C1031	4030006900	S.CER C1608 JB 1H 103K-T	B	87.1/49.3
C1032	4030007120	S.CER C1608 CH 1H 820J-T	T	86.2/57.4
C1033	4030007150	S.CER C1608 CH 1H 151J-T	T	89.2/55.9
C1051	4030010750	S.CER C1608 CH 1H 2		

[RF-A UNIT]

REF NO.	PARTS NO.	DESCRIPTION	M.	H/V LOCATION
C1223	4030011600	S.CER C1608 JB 1E 104K-T	B	103.6/45.0
C1224	4030007170	S.CER C1608 CH 1H 221J-T	B	120.6/43.2
C1225	4030007160	S.CER C1608 CH 1H 181J-T	B	115.4/36.0
C1226	4030009350	S.CER C1608 CH 1H 3R5B-T	B	113.6/35.4
C1251	4030018640	S.CER C2012 CH 1H 103J-T	B	90.8/42.9
C1252	4550003220	S.TAN TEESVA 1E 105M8R	B	95.4/37.9
C1253	4030007010	S.CER C1608 CH 1H 100D-T	T	107.3/34.7
C1254	4030006900	S.CER C1608 JB 1H 103K-T	T	107.3/40.0
C1255	4030019120	S.CER GRM188B31E105KA75D	T	106.0/40.0
C1256	4030010760	S.CER C1608 CH 1H 331J-T	T	108.6/40.0
C1271	4030018800	S.CER C3216 CH 1H 223J-T	B	110.3/41.5
C1272	4030007170	S.CER C1608 CH 1H 221J-T	B	120.6/40.0
C1273	4030017870	S.CER C1608 CH 1H 681J-T	B	117.4/36.0
C1274	4030011330	S.CER C1608 CH 1H 391J-T	B	119.1/35.5
C1291	4510009920	S.ELE 16 CE 100 LH	T	112.8/42.2
C1292	4030011600	S.CER C1608 JB 1E 104K-T	T	113.1/36.4
C1293	4030011600	S.CER C1608 JB 1E 104K-T	T	122.1/45.9
C1294	4510009920	S.ELE 16 CE 100 LH	T	122.0/41.7
C1295	4510009920	S.ELE 16 CE 100 LH	T	113.7/29.8
C1296	4030011600	S.CER C1608 JB 1E 104K-T	T	113.1/34.0
C1297	4030011600	S.CER C1608 JB 1E 104K-T	T	121.5/34.0
C1298	4510009920	S.ELE 16 CE 100 LH	T	122.0/29.8
C1301	4030019120	S.CER GRM188B31E105KA75D	T	115.6/24.5
J301	6510020081	S.CON 52808-2071(2090)	T	74.0/10.3
J451	6510019991	S.CON 52808-2271(2291)	T	74.0/26.9
J501	6510007020	CON TMP-J01X-V6		
J701	6510007020	CON TMP-J01X-V6		
J741	6510007020	CON TMP-J01X-V6		
J801	6510007020	CON TMP-J01X-V6		
J931	6510027650	S.CON AXN480C330P	T	66.5/53.1
J951	6510027660	S.CON AXN380C038P	T	66.5/37.8
J1011	6510007020	CON TMP-J01X-V6		
J1141	6510007020	CON TMP-J01X-V6		
J1301	6510014961	S.CON B2B-ZR-SM4-TF(LF)(SN)	T	123.1/20.5
EP301	6910015970	S.BEA MMZ1608B 301CT-AS	B	75.8/26.6
EP305	6910019900	S.BEA MPZ1608S601AT	B	73.4/13.8
EP452	6910015970	S.BEA MMZ1608B 301CT-AS	B	85.1/27.0
EP453	6910015970	S.BEA MMZ1608B 301CT-AS	B	85.9/25.4
EP454	6910019900	S.BEA MPZ1608S601AT	B	63.4/28.1
EP455	6910019900	S.BEA MPZ1608S601AT	B	65.2/28.9
EP456	6910019900	S.BEA MPZ1608S601AT	T	61.6/24.0
EP457	6910019900	S.BEA MPZ1608S601AT	B	77.5/28.0
EP458	6910019900	S.BEA MPZ1608S601AT	B	85.1/30.2
EP459	6910019900	S.BEA MPZ1608S601AT	B	84.4/28.6
EP601	6910015970	S.BEA MMZ1608B 301CT-AS	T	40.4/14.2
EP611	6910015970	S.BEA MMZ1608B 301CT-AS	T	46.4/53.0
EP861	6910012350	S.BEA MMZ1608Y 102BT	B	14.8/26.5
EP862	6910012350	S.BEA MMZ1608Y 102BT	B	6.7/25.9
EP911	6910002161	CAS CASE-BM7H-LF		
EP912	6910015970	S.BEA MMZ1608B 301CT-AS	B	66.5/55.7
EP913	6910002161	CAS CASE-BM7H-LF		
EP931	6910015970	S.BEA MMZ1608B 301CT-AS	B	59.9/53.4
EP951	6910015970	S.BEA MMZ1608B 301CT-AS	B	73.8/36.1
EP1121	6910017350	S.BEA MMZ1608S601A-T	B	100.2/8.9

[BPF UNIT]

REF NO.	PARTS NO.	DESCRIPTION	M.	H/V LOCATION
IC201	1110007400	S.IC BGA616	T	25.5/57.3
Q131	1590003680	S.TRA KRC402 RTK/P	T	82.2/58.0
Q132	1590003680	S.TRA KRC402 RTK/P	T	53.6/60.7
Q318	1590003770	S.TRA KRA302E-RTK/P	T	51.8/18.0
Q320	1590003770	S.TRA KRA302E-RTK/P	T	91.6/18.0
Q322	1590003770	S.TRA KRA302E-RTK/P	T	55.9/17.8
Q324	1590003770	S.TRA KRA302E-RTK/P	T	96.5/18.0
Q326	1590003770	S.TRA KRA302E-RTK/P	T	66.8/18.0
Q328	1590003770	S.TRA KRA302E-RTK/P	T	99.9/18.0
Q330	1590003770	S.TRA KRA302E-RTK/P	T	71.0/17.8
Q332	1590003770	S.TRA KRA302E-RTK/P	T	103.0/18.0
Q334	1590003770	S.TRA KRA302E-RTK/P	T	76.1/18.2
Q336	1590003770	S.TRA KRA302E-RTK/P	T	110.4/16.9
Q338	1590003770	S.TRA KRA302E-RTK/P	T	86.7/18.0
Q511	1530003852	S.TRA 2SC5551A-F-TD-E	T	28.6/7.4
Q512	1530003852	S.TRA 2SC5551A-F-TD-E	T	26.8/21.4
Q514	1590003770	S.TRA KRA302E-RTK/P	T	46.6/5.9
Q515	1590003680	S.TRA KRC402 RTK/P	T	50.8/8.6
Q531	1590003770	S.TRA KRA302E-RTK/P	T	46.6/13.7
Q532	1530003852	S.TRA 2SC5551A-F-TD-E	T	27.4/42.3
Q533	1590003770	S.TRA KRA302E-RTK/P	T	46.6/15.7
Q534	1590003680	S.TRA KRC402 RTK/P	T	50.8/11.1
Q551	1590003680	S.TRA KRC402 RTK/P	T	50.8/6.1
Q552	1590003770	S.TRA KRA302E-RTK/P	T	46.1/11.7
Q554	1510001090	S.TRA KTA2015Y-RTK/P	T	46.9/9.4
D11	1750000581	S.DIO 1SV307(TPH3F)	B	52.3/21.8
D21	1750000581	S.DIO 1SV307(TPH3F)	B	65.4/50.3
D22	1750000581	S.DIO 1SV307(TPH3F)	B	63.1/21.8
D31	1750000581	S.DIO 1SV307(TPH3F)	B	105.0/49.3
D32	1750000581	S.DIO 1SV307(TPH3F)	B	105.5/20.8
D41	1750000581	S.DIO 1SV307(TPH3F)	B	70.4/49.3
D42	1750000581	S.DIO 1SV307(TPH3F)	B	78.2/21.8
D51	1750000581	S.DIO 1SV307(TPH3F)	B	92.9/49.3
D52	1750000581	S.DIO 1SV307(TPH3F)	B	93.0/21.8
D61	1750000581	S.DIO 1SV307(TPH3F)	B	97.8/49.3
D62	1750000581	S.DIO 1SV307(TPH3F)	B	97.9/21.8
D71	1750000581	S.DIO 1SV307(TPH3F)	B	102.7/49.3
D72	1750000581	S.DIO 1SV307(TPH3F)	B	102.8/21.8
D81	1750000581	S.DIO 1SV307(TPH3F)	B	68.1/49.3
D82	1750000581	S.DIO 1SV307(TPH3F)	B	67.3/21.8
D91	1750000581	S.DIO 1SV307(TPH3F)	B	82.1/49.3
D92	1750000581	S.DIO 1SV307(TPH3F)	B	83.1/21.8
D102	1750000581	S.DIO 1SV307(TPH3F)	B	88.1/21.8
D111	1750000581	S.DIO 1SV307(TPH3F)	B	88.0/49.3
D131	1750000581	S.DIO 1SV307(TPH3F)	B	73.9/60.5
D132	1750000581	S.DIO 1SV307(TPH3F)	B	73.9/64.5
D133	1750000581	S.DIO 1SV307(TPH3F)	B	73.9/56.5
D134	1750000581	S.DIO 1SV307(TPH3F)	B	72.3/67.4
D143	1750001320	S.DIO KDS4148U RTK/P	B	90.4/56.2
D161	1750000581	S.DIO 1SV307(TPH3F)	B	48.9/58.2
D162	1750000581	S.DIO 1SV307(TPH3F)	B	36.7/58.2
D511	1750000581	S.DIO 1SV307(TPH3F)	B	43.9/28.5
D512	1750001320	S.DIO KDS4148U RTK/P	B	50.5/5.6
D513	1750000581	S.DIO 1SV307(TPH3F)	B	8.5/26.8
D531	1750001320	S.DIO KDS4148U RTK/P	B	46.8/13.7
D532	1750000581	S.DIO 1SV307(TPH3F)	B	43.9/34.1
D533	1750000581	S.DIO 1SV307(TPH3F)	B	16.7/33.4
D551	1750000581	S.DIO 1SV307(TPH3F)	B	41.0/31.4
D552	1750000581	S.DIO 1SV307(TPH3F)	B	20.6/33.4
L11	6200010800	S.COI C2520C-4R7G-A	T	51.5/44.3
L12	6200010800	S.COI C2520C-4R7G-A	T	52.5/37.0
L13	6200002041	S.COI NLV25T-101J	T	51.5/23.6
L21	6180003540	COI SP0406-3R9K-6		
L22	6180003770	COI SP0406-100J-PF		
L23	6180003540	COI SP0406-3R9K-6		
L31	6180003410	COI SP0406-2R2K-6		
L32	6180003570	COI SP0406-3R3K-6		
L33	6180003410	COI SP0406-2R2K-6		
L41	6180003390	COI SP0406-1R2K-6		
L42	6180003490	COI SP0406-2R7K-6		
L43	6180003390	COI SP0406-1R2K-6		
L51	6200010960	S.COI C2520C-R47G-A (0.47U)	T	91.5/43.9
L52	6200010810	S.COI C2520C-2R2G-A	T	92.3/39.7
L53	6200010960	S.COI C2520C-R47G-A (0.47U)	T	91.6/31.8
L61	6200010740	S.COI C2520C-R27G-A	T	96.4/40.7
L62	6200010810	S.COI C2520C-2R2G-A	T	97.2/35.0
L63	6200010740	S.COI C2520C-R27G-A	T	96.5/27.8
L71	6200010680	S.COI C2520C-R22G-A (0.22U)	T	101.3/43.7
L72	6200010440	S.COI C2520C-1R2G-A (1.2U)	T	102.1/39.7
L73	6200010680	S.COI C2520C-R22G-A (0.22U)	T	101.3/32.5
L81	6200010650	S.COI C2520C-R12G-A (0.12U)	T	66.5/44.3
L82	6200010450	S.COI C2520C-R82G-A (0.82U)	T	67.5/38.5
L83	6200010650	S.COI C2520C-R12G-A (0.12U)	T	66.7/30.5
L91	6200005011	S.COI NLV25T-100J	T	80.8/47.7
L92	6200010680	S.COI C2520C-R22G-A (0.22U)	T	81.7/44.3
L93	6200010660	S.COI C2520C-R15G-A (0.15U)	T	82.5/40.5
L94	6200010660	S.COI C2520C-R15G-A (0.15U)	T	81.7/36.7
L95	6200010660	S.COI C2520C-R15G-A (0.15U)	T	81.7/22.6
L96	6200010660	S.COI C2520C-R15G-A (0.15U)	T	81.0/27.7
L111	6200010740	S.COI C2520C-R27G-A	T	86.6/40.7
L112	6200010680	S.COI C2520C-R22G-A (0.22U)	T	87.4/35.0
L113	6200010740	S.COI C2520C-R27G-A	T	86.7/27.8
L131	6200005491	S.COI NLV32T-331J	B	81.2/58.5
L132	6200005491	S.COI NLV32T-331J	B	61.1/62.2
L133	6180003560	COI SP0406-5R6K-6		
L134	6180003550	COI SP0406-4R7K-6		
L135	6200005491	S.COI NLV32T-331J	B	54.0/61.4
L141	6200010730	S.COI C2520C-68NG-A	T	87.4/61.5
L201	6200009810	S.COI LQH31HNR61J03L	T	14.1/57.8

M.=Mounted side (T: Mounted on the Top side, B: Mounted on the Bottom side)
S.=Surface mount

[BPF UNIT]

REF NO.	PARTS NO.	DESCRIPTION	M.	H/V LOCATION
L202	6200002181	S.COI NLV25T-R12J	T	18.3/56.5
L203	6200005041	S.COI NLV25T-220J	T	25.9/54.7
L301	6200005491	S.COI NLV32T-331J	B	14.6/12.8
L302	6200005491	S.COI NLV32T-331J	B	47.1/21.5
L303	6200005491	S.COI NLV32T-331J	B	50.8/41.0
L511	6200005491	S.COI NLV32T-331J	B	36.3/26.8
L512	6140003800	COI LR-439		
L513	6200002041	S.COI NLV25T-101J	T	31.2/15.7
L514	6200002041	S.COI NLV25T-101J	T	31.0/30.5
L515	6140003810	COI LR-440		
L516	6140003810	COI LR-440		
L517	6200009060	S.COI LQH32CN101K23L	T	19.1/28.9
L518	6140003800	COI LR-439		
L519	6200005491	S.COI NLV32T-331J	B	19.1/27.8
L531	6200005491	S.COI NLV32T-331J	B	44.2/45.1
L532	6140004430	COI LR-500		
L533	6140003900	COI LR-489		
L534	6200002041	S.COI NLV25T-101J	B	25.6/41.5
L535	6200005491	S.COI NLV32T-331J	B	22.6/47.6
L536	6200011660	S.COI LQW18ANR15G00D	T	18.7/35.2
L551	6200005491	S.COI NLV32T-331J	B	37.4/32.2
R11	7030003320	S.RES ERJ3GEYJ 101 V (100)	T	51.8/31.5
R12	7030003860	S.RES ERJ3GE JPW V	T	53.3/28.4
R13	7030003320	S.RES ERJ3GEYJ 101 V (100)	T	52.5/26.1
R21	7030003320	S.RES ERJ3GEYJ 101 V (100)	T	56.1/27.5
R22	7030003320	S.RES ERJ3GEYJ 101 V (100)	T	61.6/44.5
R31	7030003320	S.RES ERJ3GEYJ 101 V (100)	T	106.1/24.1
R32	7030003320	S.RES ERJ3GEYJ 101 V (100)	T	107.7/46.4
R41	7030003320	S.RES ERJ3GEYJ 101 V (100)	T	71.1/27.5
R42	7030003320	S.RES ERJ3GEYJ 101 V (100)	T	73.1/53.0
R51	7030003320	S.RES ERJ3GEYJ 101 V (100)	T	91.6/26.5
R52	7030003320	S.RES ERJ3GEYJ 101 V (100)	T	90.1/41.3
R61	7030003320	S.RES ERJ3GEYJ 101 V (100)	T	96.5/23.3
R62	7030003320	S.RES ERJ3GEYJ 101 V (100)	T	95.0/37.5
R71	7030003320	S.RES ERJ3GEYJ 101 V (100)	T	101.4/26.7
R72	7030003320	S.RES ERJ3GEYJ 101 V (100)	T	99.9/40.5
R81	7030003320	S.RES ERJ3GEYJ 101 V (100)	T	66.8/24.7
R82	7030003320	S.RES ERJ3GEYJ 101 V (100)	T	65.3/41.1
R91	7030003320	S.RES ERJ3GEYJ 101 V (100)	T	78.9/21.8
R92	7030003320	S.RES ERJ3GEYJ 101 V (100)	T	78.9/47.3
R111	7030003320	S.RES ERJ3GEYJ 101 V (100)	T	86.7/23.3
R112	7030003320	S.RES ERJ3GEYJ 101 V (100)	T	85.2/37.5
R131	7030006260	S.RES ERJ12VJ471U (470)	B	77.4/61.7
R132	7030003520	S.RES ERJ3GEYJ 472 V (4.7K)	T	82.0/56.1
R133	7030006260	S.RES ERJ12VJ471U (470)	B	54.7/65.1
R134	7030003460	S.RES ERJ3GEYJ 152 V (1.5K)	B	51.7/59.0
R135	7030003380	S.RES ERJ3GEYJ 331 V (330)	B	57.2/59.7
R136	7030003680	S.RES ERJ3GEYJ 104 V (100K)	T	55.5/60.8
R141	7030003300	S.RES ERJ3GEYJ 680 V (68)	T	103.7/59.0
R142	7030003360	S.RES ERJ3GEYJ 221 V (220)	T	103.0/57.0
R143	7030003300	S.RES ERJ3GEYJ 680 V (68)	T	103.7/54.9
R144	7030003360	S.RES ERJ3GEYJ 221 V (220)	T	88.8/55.1
R161	7030005280	S.RES ERJ3GEYJ 6R8V (6.8)	B	44.8/58.2
R162	7030003350	S.RES ERJ3GEYJ 181 V (180)	B	47.1/62.8
R163	7030005280	S.RES ERJ3GEYJ 6R8V (6.8)	B	40.8/58.2
R167	7030003320	S.RES ERJ3GEYJ 101 V (100)	T	46.1/65.0
R170	7030003440	S.RES ERJ3GEYJ 102 V (1K)	B	33.0/57.4
R174	7030003860	S.RES ERJ3GE JPW V	T	47.0/60.5
R201	7030003400	S.RES ERJ3GEYJ 471 V (470)	T	9.8/61.9
R202	7030003200	S.RES ERJ3GEYJ 100 V (10)	T	9.0/59.7
R203	7030003400	S.RES ERJ3GEYJ 471 V (470)	T	11.1/59.0
R207	7030003360	S.RES ERJ3GEYJ 221 V (220)	T	30.8/54.7
R208	7030003360	S.RES ERJ3GEYJ 221 V (220)	T	30.8/53.3
R209	7030003360	S.RES ERJ3GEYJ 221 V (220)	T	30.8/51.9
R301	7030006260	S.RES ERJ12VJ471U (470)	B	10.6/13.5
R302	7030006260	S.RES ERJ12VJ471U (470)	B	47.1/27.3
R303	7030006260	S.RES ERJ12VJ471U (470)	B	49.6/33.5
R321	7030003860	S.RES ERJ3GE JPW V	T	57.5/8.6
R322	7030003860	S.RES ERJ3GE JPW V	T	58.8/8.6
R323	7030003860	S.RES ERJ3GE JPW V	T	69.2/8.6
R324	7030003860	S.RES ERJ3GE JPW V	T	61.4/8.6
R325	7030003860	S.RES ERJ3GE JPW V	T	65.3/8.6
R326	7030003860	S.RES ERJ3GE JPW V	T	66.6/8.6
R327	7030003860	S.RES ERJ3GE JPW V	T	67.9/8.6
R328	7030003860	S.RES ERJ3GE JPW V	T	60.1/8.6
R329	7030003860	S.RES ERJ3GE JPW V	T	62.7/8.6
R330	7030003860	S.RES ERJ3GE JPW V	T	64.0/8.6
R331	7030003860	S.RES ERJ3GE JPW V	T	70.5/8.6
R332	7030003860	S.RES ERJ3GE JPW V	T	54.3/7.8
R333	7030003860	S.RES ERJ3GE JPW V	T	54.5/9.1
R334	7030003860	S.RES ERJ3GE JPW V	T	54.5/10.4
R335	7030003220	S.RES ERJ3GEYJ 150 V (15)	T	73.1/8.6
R337	7030003860	S.RES ERJ3GE JPW V	T	78.7/6.6
R338	7030003860	S.RES ERJ3GE JPW V	T	78.7/4.0
R339	7030003860	S.RES ERJ3GE JPW V	T	71.8/8.6
R340	7030003220	S.RES ERJ3GEYJ 150 V (15)	T	74.3/8.6
R341	7030003560	S.RES ERJ3GEYJ 103 V (10K)	T	51.0/19.9
R342	7030003560	S.RES ERJ3GEYJ 103 V (10K)	T	56.1/19.6
R343	7030003560	S.RES ERJ3GEYJ 103 V (10K)	T	90.8/23.3
R344	7030003560	S.RES ERJ3GEYJ 103 V (10K)	T	66.0/21.3
R345	7030003560	S.RES ERJ3GEYJ 103 V (10K)	T	95.7/19.9
R346	7030003560	S.RES ERJ3GEYJ 103 V (10K)	T	71.1/19.6
R347	7030003560	S.RES ERJ3GEYJ 103 V (10K)	T	100.6/23.3
R348	7030003560	S.RES ERJ3GEYJ 103 V (10K)	T	76.1/21.8
R349	7030003560	S.RES ERJ3GEYJ 103 V (10K)	T	104.6/21.5
R350	7030003560	S.RES ERJ3GEYJ 103 V (10K)	T	85.9/19.9
R511	7030003320	S.RES ERJ3GEYJ 101 V (100)	B	39.6/26.7
R512	7030003280	S.RES ERJ3GEYJ 470 V (47)	T	31.3/13.4
R513	7030003280	S.RES ERJ3GEYJ 470 V (47)	T	31.7/27.7
R514	7030003440	S.RES ERJ3GEYJ 102 V (1K)	T	32.8/6.8
R515	7030003440	S.RES ERJ3GEYJ 102 V (1K)	T	31.1/21.0
R516	7030003490	S.RES ERJ3GEYJ 272 V (2.7K)	T	32.6/5.5
R517	7030003490	S.RES ERJ3GEYJ 272 V (2.7K)	T	31.1/19.7

[BPF UNIT]

REF NO.	PARTS NO.	DESCRIPTION	M.	H/V LOCATION
R518	7030003320	S.RES ERJ3GEYJ 101 V (100)	B	15.1/26.8
R519	7030003220	S.RES ERJ3GEYJ 150 V (15)	B	29.5/13.7
R520	7030003220	S.RES ERJ3GEYJ 150 V (15)	B	26.0/29.1
R521	7030003280	S.RES ERJ3GEYJ 470 V (47)	T	22.9/8.7
R522	7030003280	S.RES ERJ3GEYJ 470 V (47)	T	24.7/22.9
R523	7030003680	S.RES ERJ3GEYJ 104 V (100K)	T	37.3/26.8
R524	7030003860	S.RES ERJ3GE JPW V	T	44.0/16.7
R531	7030003320	S.RES ERJ3GEYJ 101 V (100)	B	45.7/41.0
R532	7030003510	S.RES ERJ3GEYJ 392 V (3.9K)	T	40.6/36.8
R533	7030003440	S.RES ERJ3GEYJ 102 V (1K)	T	36.3/36.0
R534	7030007860	S.RES ERJ3GEYJ 8R2V (8.2)	B	30.2/42.0
R535	7030003240	S.RES ERJ3GEYJ 220 V (22)	T	29.8/36.0
R536	7030003320	S.RES ERJ3GEYJ 101 V (100)	B	19.3/47.4
R537	7030003200	S.RES ERJ3GEYJ 100 V (10)	T	42.1/39.0
R538	7030003280	S.RES ERJ3GEYJ 470 V (47)	B	34.6/37.5
R539	7030003680	S.RES ERJ3GEYJ 104 V (100K)	T	45.4/45.0
R550	7030003360	S.RES ERJ3GEYJ 221 V (220)	T	45.4/19.2
R551	7030003320	S.RES ERJ3GEYJ 101 V (100)	B	34.5/32.9
R552	7030003320	S.RES ERJ3GEYJ 101 V (100)	B	29.4/34.3
R553	7030003680	S.RES ERJ3GEYJ 104 V (100K)	B	38.3/30.8
R554	7030003440	S.RES ERJ3GEYJ 102 V (1K)	B	49.3/8.2
R555	7030003200	S.RES ERJ3GEYJ 100 V (10)	T	36.8/28.8
R556	7030003200	S.RES ERJ3GEYJ 100 V (10)	T	44.6/47.0
R557	7030003560	S.RES ERJ3GEYJ 103 V (10K)	T	46.8/7.5
C12	4030018600	S.CER C1608 CH 1H 152J-T	T	52.5/40.2
C13	4030019570	S.CER C1608 CH 1H 332J-T	T	52.5/41.8
C14	4030019570	S.CER C1608 CH 1H 332J-T	T	52.5/33.9
C15	4030019570	S.CER C1608 CH 1H 332J-T	T	50.4/47.3
C16	4030019120	S.CER GRM188B31E105KA75D	T	53.3/31.5
C19	4030011600	S.CER C1608 JB 1E 104K-T	T	51.0/21.2
C21	4030011600	S.CER C1608 JB 1E 104K-T	T	61.6/47.1
C22	4030018620	S.CER C1608 CH 1H 222J-T	T	61.6/45.8
C23	4030017810	S.CER C1608 CH 1H 102J-T	T	62.5/32.7
C24	4030018620	S.CER C1608 CH 1H 222J-T	T	56.1/28.8
C25	4030011600	S.CER C1608 JB 1E 104K-T	T	56.1/30.1
C29	4030011600	S.CER C1608 JB 1E 104K-T	T	56.1/20.8
C31	4030011600	S.CER C1608 JB 1E 104K-T	T	105.7/47.0
C32	4030018600	S.CER C1608 CH 1H 152J-T	T	105.7/45.7
C33	4030017810	S.CER C1608 CH 1H 102J-T	T	111.7/25.6
C34	4030018600	S.CER C1608 CH 1H 152J-T	T	109.0/25.6
C35	4030011600	S.CER C1608 JB 1E 104K-T	T	106.9/26.3
C39	4030011600	S.CER C1608 JB 1E 104K-T	T	104.6/22.8
C41	4030011600	S.CER C1608 JB 1E 104K-T	T	71.1/53.5
C42	4030017870	S.CER C1608 CH 1H 681J-T	T	71.1/52.2
C43	4030011830	S.CER C1608 CH 1H 301J-T	T	77.5/32.7
C44	4030017870	S.CER C1608 CH 1H 681J-T	T	71.1/28.8
C45	4030011600	S.CER C1608 JB 1E 104K-T	T	71.1/30.1
C49	4030011600	S.CER C1608 JB 1E 104K-T	T	71.1/20.8
C51	4030011600	S.CER C1608 JB 1E 104K-T	T	90.1/46.9
C52	4030017870	S.CER C1608 CH 1H 681J-T	T	92.1/46.1
C53	4030007150	S.CER C1608 CH 1H 151J-T	T	92.9/35.7
C54	4030017870	S.CER C1608 CH 1H 681J-T	T	92.1/29.5
C55	4030011600	S.CER C1608 JB 1E 104K-T	T	90.8/28.3
C59	4030011600	S.CER C1608 JB 1E 104K-T	T	90.8/24.6
C61	4030011600	S.CER C1608 JB 1E 104K-T	T	95.1/43.7
C62	4030017800	S.CER C1608 CH 1H 561J-T	T	97.0/38.2
C63	4030007110	S.CER C1608 CH 1H 680J-T	T	98.0/31.0
C64	4030017800	S.CER C1608 CH 1H 561J-T	T	95.8/30.2
C65	4030011600	S.CER C1608 JB 1E 104K-T	T	95.7/25.3
C69	4030011600	S.CER C1608 JB 1E 104K-T	T	95.7/21.2
C71	4030011600	S.CER C1608 JB 1E 104K-T	T	99.9/46.9
C72	4030011330	S.CER C1608 CH 1H 391J-T	T	101.9/46.1
C73	4030007110	S.CER C1608 CH 1H 680J-T	T	102.1/35.7
C74	4030011330	S.CER C1608 CH 1H 391J-T	T	101.9/30.0
C75	4030011600	S.CER C1608 JB 1E 104K-T	T	100.6/28.7
C79	4030011600	S.CER C1608 JB 1E 104K-T	T	100.6/24.6
C81	4030011600	S.CER C1608 JB 1E 104K-T	T	65.4/47.3
C82	4030010760	S.CER C1608 CH 1H 331J-T	T	67.3/41.9
C83	4030007090	S.CER C1608 CH 1H 470J-T	T	68.3/34.1
C84	4030010760	S.CER C1608 CH 1H 331J-T	T	67.5/28.0
C85	4030011600	S.CER C1608 JB 1E 104K-T	T	66.0/26.7
C89	4030011600	S.CER C1608 JB 1E 104K-T	T	66.0/22.6
C91	4030006860	S.CER C1608 JB 1H 102K-T	T	77.6/47.3
C92	4030007040	S.CER C1608 CH 1H 180J-T	T	78.1/44.5
C93	4030007100	S.CER C1608 CH 1H 560J-T	T	78.1/43.2
C94	4030007050	S.CER C1608 CH 1H 220J-T	T	79.0/41.1
C95	4030007020	S.CER C1608 CH 1H 120J-T	T	80.3/41.1
C96	4030007120	S.CER C1608 CH 1H 820J-T	T	79.5/39.1
C97	4030007010	S.CER C1608 CH 1H 100D-T	T	82.5/33.2
C98	4030007090	S.CER C1608 CH 1H 470J-T	T	81.2/31.9
C99	4030007090	S.CER C1608 CH 1H 470J-T	T</	

[BPF UNIT]

REF NO.	PARTS NO.	DESCRIPTION	M.	H/V LOCATION
C142	4030006900	S.CER C1608 JB 1H 103K-T	T	89.6/57.2
C143	4030011600	S.CER C1608 JB 1E 104K-T	T	53.7/57.1
C161	4030011600	S.CER C1608 JB 1E 104K-T	B	47.1/65.1
C170	4030011600	S.CER C1608 JB 1E 104K-T	T	28.3/58.2
C201	4030007010	S.CER C1608 CH 1H 100D-T	T	14.8/60.7
C202	4030007120	S.CER C1608 CH 1H 820J-T	T	15.9/57.2
C203	4030007020	S.CER C1608 CH 1H 120J-T	T	18.3/58.4
C204	4030007120	S.CER C1608 CH 1H 820J-T	T	20.8/57.2
C205	4030011600	S.CER C1608 JB 1E 104K-T	T	22.9/56.5
C206	4030011600	S.CER C1608 JB 1E 104K-T	T	28.4/55.5
C301	4030019120	S.CER GRM188B31E105KA75D	B	7.5/12.4
C302	4030019120	S.CER GRM188B31E105KA75D	B	44.6/31.4
C321	4030006860	S.CER C1608 JB 1H 102K-T	B	54.6/6.9
C322	4030006860	S.CER C1608 JB 1H 102K-T	B	54.5/8.7
C323	4030006860	S.CER C1608 JB 1H 102K-T	B	54.5/10.5
C325	4030006860	S.CER C1608 JB 1H 102K-T	B	82.2/7.6
C326	4030006860	S.CER C1608 JB 1H 102K-T	B	82.2/9.4
C327	4030006860	S.CER C1608 JB 1H 102K-T	B	56.9/7.1
C328	4030006860	S.CER C1608 JB 1H 102K-T	B	58.7/7.1
C329	4030006860	S.CER C1608 JB 1H 102K-T	B	60.5/7.1
C330	4030006860	S.CER C1608 JB 1H 102K-T	B	62.3/7.1
C331	4030006860	S.CER C1608 JB 1H 102K-T	B	64.1/7.1
C332	4030006860	S.CER C1608 JB 1H 102K-T	B	65.9/7.1
C333	4030006860	S.CER C1608 JB 1H 102K-T	B	67.7/7.1
C334	4030006860	S.CER C1608 JB 1H 102K-T	B	69.5/7.1
C335	4030006860	S.CER C1608 JB 1H 102K-T	B	71.3/7.1
C336	4030006860	S.CER C1608 JB 1H 102K-T	B	73.1/7.1
C337	4030006860	S.CER C1608 JB 1H 102K-T	B	74.9/7.0
C338	4030006860	S.CER C1608 JB 1H 102K-T	B	78.5/7.1
C339	4030006860	S.CER C1608 JB 1H 102K-T	B	76.7/7.0
C340	4510009340	S.ELE EEEHA1C101WP	T	78.5/10.8
C511	4030011600	S.CER C1608 JB 1E 104K-T	T	36.0/26.8
C512	4030019120	S.CER GRM188B31E105KA75D	B	41.4/26.7
C513	4030019120	S.CER GRM188B31E105KA75D	T	32.8/8.1
C514	4030019120	S.CER GRM188B31E105KA75D	T	31.1/22.3
C515	4030019120	S.CER GRM188B31E105KA75D	B	31.6/17.4
C516	4030019120	S.CER GRM188B31E105KA75D	B	30.8/29.2
C517	4030019120	S.CER GRM188B31E105KA75D	T	31.3/10.8
C518	4030019120	S.CER GRM188B31E105KA75D	T	31.1/25.1
C519	4030019120	S.CER GRM188B31E105KA75D	B	18.8/17.3
C520	4030019120	S.CER GRM188B31E105KA75D	B	18.9/24.0
C521	4030006860	S.CER C1608 JB 1H 102K-T	T	31.3/12.1
C522	4030019120	S.CER GRM188B31E105KA75D	B	11.9/26.1
C523	4030011600	S.CER C1608 JB 1E 104K-T	T	16.1/28.2
C526	4030007010	S.CER C1608 CH 1H 100D-T	B	12.7/21.8
C527	4030006860	S.CER C1608 JB 1H 102K-T	T	31.1/26.4
C528	4030006860	S.CER C1608 JB 1H 102K-T	T	32.8/9.4
C529	4030006860	S.CER C1608 JB 1H 102K-T	T	31.1/23.6
C531	4030019120	S.CER GRM188B31E105KA75D	B	43.9/41.0
C532	4030019120	S.CER GRM188B31E105KA75D	B	20.2/40.7
C533	4030019120	S.CER GRM188B31E105KA75D	T	35.0/36.0
C534	4030019120	S.CER GRM188B31E105KA75D	T	32.4/36.0
C535	4030011600	S.CER C1608 JB 1E 104K-T	T	43.9/45.0
C536	4030006860	S.CER C1608 JB 1H 102K-T	T	33.7/36.0
C537	4030006860	S.CER C1608 JB 1H 102K-T	T	31.1/36.0
C538	4030019120	S.CER GRM188B31E105KA75D	T	22.4/36.2
C539	4030006860	S.CER C1608 JB 1H 102K-T	T	21.1/36.2
C540	4030011600	S.CER C1608 JB 1E 104K-T	T	25.1/47.5
C541	4030006990	S.CER C1608 CH 1H 080D-T	T	42.8/36.8
C542	4550006120	S.TAN TEESVA OG 226M8R	T	28.1/36.0
C543	4550006120	S.TAN TEESVA OG 226M8R	T	38.0/34.8
C544	4030007010	S.CER C1608 CH 1H 100D-T	T	16.5/35.9
C545	4030019120	S.CER GRM188B31E105KA75D	T	13.5/28.2
C546	4030019120	S.CER GRM188B31E105KA75D	T	14.8/28.2
C549	4030019120	S.CER GRM188B31E105KA75D	T	42.9/30.8
C550	4030019120	S.CER GRM188B31E105KA75D	T	41.6/30.8
C551	4030011600	S.CER C1608 JB 1E 104K-T	T	40.3/30.8
C552	4030019120	S.CER GRM188B31E105KA75D	B	31.9/33.2
C553	4030009520	S.CER C1608 CH 1H 020B-T	T	24.2/6.7
C554	4030009520	S.CER C1608 CH 1H 020B-T	T	22.0/20.9
RL141	6330001860	REL UA2-12NU		
J141	6510007020	CON TMP-J01X-V6		
J201	6510007020	CON TMP-J01X-V6		
J301	6510007020	CON TMP-J01X-V6		
J302	6510020081	S.CON 52808-2071(2090)	T	65.5/4.0

[PA-A UNIT]

REF NO.	PARTS NO.	DESCRIPTION	M.	H/V LOCATION
IC101	1180001252	S.IC TA7808F(TE16L1NQ)	B	71/99.4
IC121	1180001072	S.IC TA7805F(TE16L1NMQ)	B	51.4/99.4
IC131	1190002450	S.IC BD9851EFV-E2	T	40.9/76.5
IC301	1110003800	S.IC NJM2904V-TE1-#FMZB	T	64.0/11.0
IC371	1110003800	S.IC NJM2904V-TE1-#FMZB	T	24.9/57.9
IC431	1110006680	S.IC BH2221FV-E2	T	21.6/47.7
IC432	1130011760	S.IC CD4094BPWR	T	190.5/118.5
Q51	1590003680	S.TRA KRC402 RTK/P	B	85.9/76.9
Q201	1560001241	S.FET RD01MUS1-T113	T	15.3/15.5
Q221	1560001530	FET RD15HVF1-101		
Q222	1560001530	FET RD15HVF1-101		
Q241	1560001640	FET RD100HHF1C-103		
Q242	1560001640	FET RD100HHF1C-103		
Q1251	1590003680	S.TRA KRC402 RTK/P	T	205.5/120.0
Q1252	1590003770	S.TRA KRA302E-RTK/P	T	205.5/117.2
Q1253	1590003680	S.TRA KRC402 RTK/P	T	200.3/120.0
Q1254	1590003770	S.TRA KRA302E-RTK/P	T	200.3/117.2
Q1255	1590003680	S.TRA KRC402 RTK/P	T	195.1/120.0
Q1256	1590003770	S.TRA KRA302E-RTK/P	T	195.1/117.2
Q1257	1590003680	S.TRA KRC402 RTK/P	T	197.7/120.0
Q1258	1590003770	S.TRA KRA302E-RTK/P	T	197.7/117.2
Q1259	1590003680	S.TRA KRC402 RTK/P	T	208.7/120.0
Q1260	1590003770	S.TRA KRA302E-RTK/P	T	208.7/117.2
Q1261	1590003680	S.TRA KRC402 RTK/P	T	210.7/120.0
Q1262	1590003770	S.TRA KRA302E-RTK/P	T	210.7/117.2
Q1263	1590003680	S.TRA KRC402 RTK/P	T	202.9/120.0
Q1264	1590003770	S.TRA KRA302E-RTK/P	T	202.9/117.2
D1	1790000700	DIO DSA3A1		
D2	1790000700	DIO DSA3A1		
D3	1790000700	DIO DSA3A1		
D244	1750002020	S.DIO DA2S10100L	T	79.1/57.1
D245	1750002020	S.DIO DA2S10100L	T	79.1/9.8
D351	1750002020	S.DIO DA2S10100L	T	28.8/10.1
D352	1750002020	S.DIO DA2S10100L	T	29.3/43.4
D353	1750002020	S.DIO DA2S10100L	T	60.8/18.0
D354	1750002020	S.DIO DA2S10100L	T	67.2/18.0
D371	1790001241	S.DIO MA2S7280GL	T	26.7/53.5
D372	1790001241	S.DIO MA2S7280GL	T	21.5/53.5
D551	1750001320	S.DIO KDS4148U RTK/P	T	226.5/104.6
D651	1750001320	S.DIO KDS4148U RTK/P	T	239.0/97.0
D751	1750001320	S.DIO KDS4148U RTK/P	B	243.8/76.7
D851	1750001320	S.DIO KDS4148U RTK/P	B	243.0/60.6
D951	1750001320	S.DIO KDS4148U RTK/P	B	243.9/44.6
D1051	1750001320	S.DIO KDS4148U RTK/P	B	243.9/33.1
D1151	1750001320	S.DIO KDS4148U RTK/P	B	244.7/18.5
L1	6140003440	COI LR-386 (FK-100E-5003H)		
L2	6140003440	COI LR-386 (FK-100E-5003H)		
L134	6200013280	S.COI SLF10145T-330M1R6-PF	T	53.5/76.7
L202	6140002220	COI LR-270 (TR6X3X2 3A9)		
L203	6140002350	COI LR-274 (RIB4X7X5 3A6)		
L221	6140004690	COI LR-530 <KN>		
L241	6140003590	COI LR-400 (TR10X5X5 6H3)		
L242	6140004700	COI LR-529		
L281	6140004570	COI LR-507		
L431	6200005011	S.COI NLV25T-100J	T	27.6/49.6
L432	6200005011	S.COI NLV25T-100J	T	184.6/19.9
L461	6200003241	S.COI NLV32T-221J	T	177.1/83.8
L462	6200003241	S.COI NLV32T-221J	T	182.3/78.2
L501	61400011240	COI LR-149 (T68-2)		
L502	6140001130	COI LR-138 (T68-2)		
L601	6140001160	COI LR-141 (T68-2)		
L602	6140001160	COI LR-141 (T68-2)		
L603	6140001160	COI LR-141 (T68-2)		
L701	6110003570	COI LA-550		
L702	6110003540	COI LA-548 (LA-215A)		
L703	6110003550	COI LA-547 (LA-214A)		
L801	6140001990	COI LR-226 (T68-2)		
L802	6140002000	COI LR-227 (T68-2)		
L901	6110002900	COI LA-479		
L902	6110002900	COI LA-479		
L1001	6140001810	COI LR-217 (T50-10)		
L1002	6140005090	COI LR-564		
L1003	6140005100	COI LR-565		
L1051	6200005051	S.COI NLV25T-330J	B	182.5/19.5
L1101	6110002920	COI LA-481		
L1102	6110002910	COI LA-480		
R1	7030011240	S.RES LRF3W-LF-01-R020F	T	108.8/81.2
R2	7030011240	S.RES LRF3W-LF-01-R020F	T	108.8/74.2
R101	7030012380	S.RES ERJ1TYJ 3R9U	B	66.7/74.4
R122	7030011030	S.RES ERJ1TYJ 270U (27)	B	66.7/88.8
R123	7030011030	S.RES ERJ1TYJ 270U (27)	B	66.7/81.6
R131	7030005691	S.RES ERA3YED 123V (12K)	T	32.7/76.8
R132	7030007230	S.RES ERA3YED 102V (1K)	T	34.0/76.8
R133	7030006461	S.RES ERA3YED 152V (1.5K)	T	36.4/76.8
R134	7030003440	S.RES ERJ3GEYJ 102 V (1K)	T	35.2/74.2
R135	7030003440	S.RES ERJ3GEYJ 102 V (1K)	T	41.8/84.2
R136	7030003700	S.RES ERJ3GEYJ 154 V (150K)	T	42.5/86.6
R137	7030003740	S.RES ERJ3GEYJ 334 V (330K)	T	39.9/86.6
R138	7030005451	S.RES ERA3YED 153V (15K)	T	42.5/85.4
R139	7030005321	S.RES ERA3YED 103V (10K)	T	44.4/84.2
R140	7030005981	S.RES ERA3YED 333V (33K)	T	45.2/81.8
R141	7030003200	S.RES ERJ3GEYJ 100 V (10)	T	37.8/82.0
R143	7030003860	S.RES ERJ3GE JPW V	T	38.9/69.9
R144	7030011130	S.RES ERJ1TYJ 1R0U (1)	T	21.3/73.0
R151	7030003860	S.RES ERJ3GE JPW V	T	60.8/65.6
R157	7030003860	S.RES ERJ3GE JPW V	T	38.1/71.1
R158	7030003860	S.RES ERJ3GE JPW V	T	41.5/71.1

M.=Mounted side (T: Mounted on the Top side, B: Mounted on the Bottom side)
S.=Surface mount

[PA-A UNIT]

REF NO.	PARTS NO.	DESCRIPTION	M.	H/V LOCATION
R201	7030003370	S.RES ERJ3GEYJ 271 V (270)	T	9.4/11.0
R202	7030003230	S.RES ERJ3GEYJ 180 V (18)	T	10.2/8.9
R203	7030003370	S.RES ERJ3GEYJ 271 V (270)	T	12.8/7.4
R204	7030000010	S.RES MCR10EZJH JPW (000)	T	13.6/10.7
R205	7030003510	S.RES ERJ3GEYJ 392 V (3.9K)	T	12.3/19.3
R206	7030003410	S.RES ERJ3GEYJ 561 V (560)	T	15.8/24.1
R207	7030006210	S.RES ERJ12Y4R7U (4.7)	T	22.6/10.8
R208	7030008180	S.RES ERJ12Y331U (330)	T	19.5/22.4
R221	7030008240	S.RES ERJ12Y0R00U	T	30.2/32.4
R222	7030008240	S.RES ERJ12Y0R00U	T	30.2/16.8
R223	7030010480	S.RES ERJ1TYJ 181U (180)	T	39.5/34.7
R224	7030010480	S.RES ERJ1TYJ 181U (180)	T	39.5/6.6
R225	7030003480	S.RES ERJ3GEYJ 222 V (2.2K)	T	31.3/43.2
R226	7030003480	S.RES ERJ3GEYJ 222 V (2.2K)	T	31.3/6.2
R242	7030010250	S.RES ERJ1TYJ 0R00U	T	82.5/39.8
R243	7030010250	S.RES ERJ1TYJ 0R00U	T	82.5/27.2
R244	7030003510	S.RES ERJ3GEYJ 392 V (3.9K)	T	80.0/54.8
R245	7030003510	S.RES ERJ3GEYJ 392 V (3.9K)	T	80.0/12.2
R246	7030011130	S.RES ERJ1TYJ 1R0U (1)	T	89.9/53.6
R247	7030011130	S.RES ERJ1TYJ 1R0U (1)	T	89.9/13.5
R248	7030010610	S.RES ERJ1TYJ 470U (47)	T	93.4/38.5
R249	7030010610	S.RES ERJ1TYJ 470U (47)	T	97.4/38.5
R250	7030010610	S.RES ERJ1TYJ 470U (47)	T	97.4/28.5
R251	7030010610	S.RES ERJ1TYJ 470U (47)	T	93.4/28.5
R281	7030010250	S.RES ERJ1TYJ 0R00U	T	142.4/56.9
R283	7030010570	S.RES ERJ1TYJ 4R7U (4.7)	T	153.0/61.7
R284	7030010570	S.RES ERJ1TYJ 4R7U (4.7)	T	156.7/61.7
R301	7030003680	S.RES ERJ3GEYJ 104 V (100K)	T	61.5/8.1
R302	7030003680	S.RES ERJ3GEYJ 104 V (100K)	T	66.4/8.1
R303	7030003650	S.RES ERJ3GEYJ 563 V (56K)	T	58.9/9.2
R304	7030003680	S.RES ERJ3GEYJ 104 V (100K)	T	57.6/9.2
R305	7030003650	S.RES ERJ3GEYJ 563 V (56K)	T	69.1/9.2
R306	7030003680	S.RES ERJ3GEYJ 104 V (100K)	T	70.4/9.2
R307	7030003650	S.RES ERJ3GEYJ 563 V (56K)	T	58.9/12.0
R308	7030003650	S.RES ERJ3GEYJ 563 V (56K)	T	69.1/12.0
R309	7030003400	S.RES ERJ3GEYJ 471 V (470)	T	58.9/14.8
R310	7030003400	S.RES ERJ3GEYJ 471 V (470)	T	69.1/14.8
R311	7030003320	S.RES ERJ3GEYJ 101 V (100)	B	65.5/12.0
R341	7030005981	S.RES ERA3YED 333V (33K)	B	116.1/82.8
R342	7030005971	S.RES ERA3YKD 683V (68K)	B	120.8/81.3
R343	7030011240	S.RES LRF3W-LF-01-R020F	B	112.3/88.4
R344	7030005981	S.RES ERA3YED 333V (33K)	B	112.2/84.0
R345	7030005971	S.RES ERA3YKD 683V (68K)	B	114.3/81.7
R346	7030009661	S.RES ERA3YED 121V (120)	B	118.4/82.1
R351	7030003310	S.RES ERJ3GEYJ 820 V (82)	T	12.3/20.6
R352	7030003450	S.RES ERJ3GEYJ 122 V (1.2K)	T	12.3/21.9
R353	7030003440	S.RES ERJ3GEYJ 102 V (1K)	T	21.8/8.0
R354	7030000220	S.RES MCR10EZJH 47 (470)	T	30.3/8.2
R355	7030000220	S.RES MCR10EZJH 47 (470)	T	30.3/41.0
R356	7030010950	S.RES ERJ1TYJ 100U (10)	T	61.4/47.4
R357	7030010610	S.RES ERJ1TYJ 470U (47)	T	77.7/16.3
R358	7030010610	S.RES ERJ1TYJ 470U (47)	T	77.7/50.7
R359	7030003860	S.RES ERJ3GE JPW V	T	82.0/5.6
R360	7030003460	S.RES ERJ3GEYJ 152 V (1.5K)	T	53.1/49.9
R361	7510001551	S.THE NTCG16 4LH 333JT	T	95.1/6.2
R362	7030005971	S.RES ERA3YKD 683V (68K)	B	108.8/79.5
R363	7030005981	S.RES ERA3YED 333V (33K)	B	112.7/77.1
R364	7030007661	S.RES ERA3YED 331V (330)	B	109.6/77.1
R365	7030005971	S.RES ERA3YKD 683V (68K)	B	105.6/81.1
R366	7030005981	S.RES ERA3YED 333V (33K)	B	106.8/78.0
R367	7030003370	S.RES ERJ3GEYJ 271 V (270)	T	85.1/9.2
R368	7030003510	S.RES ERJ3GEYJ 392 V (3.9K)	T	84.3/4.1
R371	7030005981	S.RES ERA3YED 333V (33K)	T	30.3/59.0
R372	7030003820	S.RES ERJ3GEYJ 155 V (1.5M)	T	30.3/60.3
R373	7030005981	S.RES ERA3YED 333V (33K)	T	32.1/56.9
R374	7030003820	S.RES ERJ3GEYJ 155 V (1.5M)	T	29.5/56.9
R375	7030003500	S.RES ERJ3GEYJ 332 V (3.3K)	T	29.9/54.8
R377	7030003320	S.RES ERJ3GEYJ 101 V (100)	T	23.2/55.2
R381	7030008141	S.RES ERA3YKD 224V (220K)	T	19.6/59.8
R382	7030005521	S.RES ERA3YKD 334V (330K)	T	23.9/60.6
R383	7030008141	S.RES ERA3YKD 224V (220K)	T	17.7/57.7
R384	7030003750	S.RES ERJ3GEYJ 394 V (390K)	T	20.3/57.7
R385	7030003500	S.RES ERJ3GEYJ 332 V (3.3K)	T	19.9/55.6
R386	7030003560	S.RES ERJ3GEYJ 103 V (10K)	B	13.7/25.2
R401	7030003360	S.RES ERJ3GEYJ 221 V (220)	T	11.1/26.5
R404	7030003360	S.RES ERJ3GEYJ 221 V (220)	T	11.1/27.8
R405	7030003360	S.RES ERJ3GEYJ 221 V (220)	T	11.1/29.1
R406	7030003360	S.RES ERJ3GEYJ 221 V (220)	T	11.1/30.4
R407	7030003360	S.RES ERJ3GEYJ 221 V (220)	T	14.7/59.5
R409	7030003360	S.RES ERJ3GEYJ 221 V (220)	T	11.1/35.6
R410	7030003360	S.RES ERJ3GEYJ 221 V (220)	T	11.1/38.2
R411	7030003360	S.RES ERJ3GEYJ 221 V (220)	T	11.1/39.5
R412	7030003360	S.RES ERJ3GEYJ 221 V (220)	T	11.1/36.9
R413	7030003360	S.RES ERJ3GEYJ 221 V (220)	T	11.1/34.3
R414	7030003860	S.RES ERJ3GE JPW V	T	17.4/61.5
R551	7030003360	S.RES ERJ3GEYJ 221 V (220)	T	220.5/107.6
R552	7030003360	S.RES ERJ3GEYJ 221 V (220)	T	220.5/108.9
R651	7030003360	S.RES ERJ3GEYJ 221 V (220)	B	235.0/97.9
R652	7030003360	S.RES ERJ3GEYJ 221 V (220)	B	233.4/97.9
R751	7030003360	S.RES ERJ3GEYJ 221 V (220)	B	244.4/81.0
R752	7030003360	S.RES ERJ3GEYJ 221 V (220)	B	244.4/82.6
R851	7030003360	S.RES ERJ3GEYJ 221 V (220)	B	244.3/65.1
R852	7030003360	S.RES ERJ3GEYJ 221 V (220)	B	244.3/66.7
R951	7030003360	S.RES ERJ3GEYJ 221 V (220)	B	244.8/46.5
R952	7030003360	S.RES ERJ3GEYJ 221 V (220)	B	244.8/48.1
R1051	7030003360	S.RES ERJ3GEYJ 221 V (220)	B	244.1/36.8
R1052	7030003360	S.RES ERJ3GEYJ 221 V (220)	B	244.1/38.4
R1151	7030003360	S.RES ERJ3GEYJ 221 V (220)	B	244.3/22.0
R1152	7030003360	S.RES ERJ3GEYJ 221 V (220)	B	244.3/23.6
C2	4030018980	S.CER C1608 JB 1H 104K-T	T	7.2/8.6
C3	4510009250	S.ELE EEEFK1C471P	B	21.6/69.6
C4	4030004740	S.CER C2012 JB 1H 472K-T	T	132.2/101.4
C5	4030004740	S.CER C2012 JB 1H 472K-T	T	132.2/112.6

[PA-A UNIT]

REF NO.	PARTS NO.	DESCRIPTION	M.	H/V LOCATION
C8	4030018980	S.CER C1608 JB 1H 104K-T	T	92.6/116.0
C9	4030007170	S.CER C1608 CH 1H 221J-T	T	92.6/114.4
C10	4030006880	S.CER C1608 JB 1H 472K-T	T	92.5/89.0
C11	4510009250	S.ELE EEEFK1C471P	T	85.2/99.7
C12	4510009250	S.ELE EEEFK1C471P	T	85.2/90.9
C13	4030005110	S.CER C2012 JB 1E 473K-T	B	96.2/107.0
C51	4030006900	S.CER C1608 JB 1H 103K-T	B	82.3/78.9
C52	4030011600	S.CER C1608 JB 1E 104K-T	B	85.9/79.1
C53	4030006900	S.CER C1608 JB 1H 103K-T	B	89.3/81.0
C101	4030019560	S.CER GRM21BB31C106KE15L	B	62.0/101.3
C102	4030011600	S.CER C1608 JB 1E 104K-T	B	63.8/101.3
C103	4030011600	S.CER C1608 JB 1E 104K-T	B	63.8/97.6
C104	4030019560	S.CER GRM21BB31C106KE15L	B	62.0/97.6
C121	4030019560	S.CER GRM21BB31C106KE15L	B	62.4/97.6
C122	4030011600	S.CER C1608 JB 1E 104K-T	B	44.2/97.6
C123	4030011600	S.CER C1608 JB 1E 104K-T	B	44.2/101.3
C124	4030019560	S.CER GRM21BB31C106KE15L	B	42.4/101.2
C134	4030011600	S.CER C1608 JB 1E 104K-T	T	30.7/75.5
C135	4030018970	S.CER C3225 JB 1C 226MT-FN	T	28.4/73.4
C136	4030018970	S.CER C3225 JB 1C 226MT-FN	T	38.6/88.8
C137	4030010020	S.CER C1608 JB 1H 122K-T	T	35.2/76.8
C138	4030008860	S.CER C1608 JB 1H 153K-T	T	41.1/83.0
C139	4030011810	S.CER C1608 JB 1A 224K-T	T	39.9/85.4
C140	4030007070	S.CER C1608 CH 1H 330J-T	T	44.4/83.0
C141	4030011600	S.CER C1608 JB 1E 104K-T	T	47.5/88.5
C142	4030018970	S.CER C3225 JB 1C 226MT-FN	T	50.0/89.3
C144	4030018970	S.CER C3225 JB 1C 226MT-FN	T	54.6/87.0
C158	4030019090	S.CER C2012 JB 1C 225K-T	T	44.9/71.3
C159	4030019120	S.CER GRM188B31E105KA75D	T	42.4/69.9
C201	4030007130	S.CER C1608 CH 1H 101J-T	T	8.9/8.9
C204	4030017320	S.CER GRM21BB11H104KA01L (GRM40-034)	T	11.8/14.2
C205	4030008960	S.CER C2012 JB 1C 104K-T	T	14.9/21.7
C206	4030005110	S.CER C2012 JB 1E 473K-T	T	19.4/26.4
C207	4030004720	S.CER C2012 JB 1H 102K-T	T	16.8/10.7
C209	4030005110	S.CER C2012 JB 1E 473K-T	T	23.1/15.3
C210	4030006860	S.CER C1608 JB 1H 102K-T	B	23.7/18.4
C221	4030018530	S.CER C3216 CH 1H 103J-T	T	31.0/11.4
C222	4030018530	S.CER C3216 CH 1H 103J-T	T	31.0/37.8
C224	4030012490	S.CER GRM31M1X2A472JZ01L (GRM42-6 SL)	T	34.0/37.1
C225	4030012490	S.CER GRM31M1X2A472JZ01L (GRM42-6 SL)	T	34.0/9.0
C226	4030011550	S.CER GRM31M2C2H680JV01L (GRM42-6 CH)	T	49.5/33.5
C227	4030014460	S.CER GRM31M2C2H820JV01L (GRM42-6 CH)	T	47.4/33.5
C240	4030011510	S.CER GRM31M2C2H560JV01L (GRM42-6 CH)	T	84.0/33.5
C243	4030011730	S.CER GRM31M2C2H101JV01L (GRM42-6 CH)	T	86.1/33.5
C244	4030018750	S.CER C3225 CH 2J 682K-T	T	85.7/43.8
C245	4030018750	S.CER C3225 CH 2J 682K-T	T	85.7/23.2
C246	4030018750	S.CER C3225 CH 2J 682K-T	T	93.0/49.1
C247	4030018750	S.CER C3225 CH 2J 682K-T	T	93.0/18.0
C248	4030011550	S.CER GRM31M2C2H680JV01L (GRM42-6 CH)	T	124.8/58.0
C249	4030011740	S.CER GRM32N2C2H201JV01L (GRM42-2 CH)	T	134.2/33.5
C250	4030011550	S.CER GRM31M2C2H680JV01L (GRM42-6 CH)	T	124.8/9.1
C251	4030011740	S.CER GRM32N2C2H201JV01L (GRM42-2 CH)	T	131.0/33.5
C252	4030011740	S.CER GRM32N2C2H201JV01L (GRM42-2 CH)	T	127.8/33.5
C253	4030011740	S.CER GRM32N2C2H201JV01L (GRM42-2 CH)	T	124.6/33.5
C281	4510009250	S.ELE EEEFK1C471P	T	158.9/84.1
C282	4510009250	S.ELE EEEFK1C471P	T	128.8/77.1
C283	4030006880	S.CER C1608 JB 1H 472K-T	T	113.2/92.1
C285	4030011600	S.CER C1608 JB 1E 104K-T	T	150.3/78.2
C286	4030007170	S.CER C1608 CH 1H 221J-T	T	151.9/78.2
C287	4510009250	S.ELE EEEFK1C471P	T	166.6/77.3
C288	4510009250	S.ELE EEEFK1C471P	T	165.9/68.4
C301	4030006900	S.CER C1608 JB 1H 103K-T	B	62.4/12.0
C302	4030011600	S.CER C1608 JB 1E 104K-T	T	61.5/6.8
C303	4030011600	S.CER C1608 JB 1E 104K-T	T	66.4/6.7
C304	4030019560	S.CER GRM21BB31C106KE15L	B	62.8/13.8
C341	4030006900	S.CER C1608 JB 1H 103K-T	B	122.4/81.0
C342	4030006900	S.CER C1608 JB 1H 103K-T	B	112.7/81.7
C351	4030008920	S.CER C1608 JB 1H 473K-T	T	11.6/23.8
C353	4030011600	S.CER C1608 JB 1E 104K-T	T	25.6/13.7
C355	4030008920	S.CER C1608 JB 1H 473K-T	T	27.5/9.9
C356	4030008920	S.CER C1608 JB 1H 473K-T	T	30.5/45.8
C357	4030008920	S.CER C1608 JB 1H 473K-T	T	64.9/50.7
C358	4030006860	S.CER C1608 JB 1H 102K-T	T	63.6/50.7
C361	4030011600	S.CER C1608 JB 1E 104K-T	T	61.5

[PA-A UNIT]

REF NO.	PARTS NO.	DESCRIPTION	M.	H/V LOCATION
C413	4030006900	S.CER C1608 JB 1H 103K-T	B	13.4/67.1
C414	4030018960	S.CER C3216 JB 1C 106MT-N	B	13.8/69.1
C415	4030006900	S.CER C1608 JB 1H 103K-T	B	13.4/75.1
C417	4030006900	S.CER C1608 JB 1H 103K-T	B	14.2/65.5
C419	4030006900	S.CER C1608 JB 1H 103K-T	T	14.7/31.7
C420	4030006900	S.CER C1608 JB 1H 103K-T	T	14.7/33.0
C431	4030006900	S.CER C1608 JB 1H 103K-T	T	30.9/49.4
C432	4030011600	S.CER C1608 JB 1E 104K-T	T	29.5/49.4
C433	4030006880	S.CER C1608 JB 1H 472K-T	T	186.5/120.3
C463	4030006860	S.CER C1608 JB 1H 102K-T	B	173.7/77.8
C464	4030006860	S.CER C1608 JB 1H 102K-T	T	174.3/80.8
C465	4030006860	S.CER C1608 JB 1H 102K-T	T	173.0/80.8
C503	4030011730	S.CER GRM31M2C2H101JV01L (GRM42-6 CH)	B	194.8/103.9
C504	4030011730	S.CER GRM31M2C2H101JV01L (GRM42-6 CH)	B	192.4/103.9
C505	4030012480	S.CER GRM31M2C2H121JV01L (GRM42-6 CH)	T	196.4/112.7
C506	4030011180	S.CER GRM31M2C2H220JV01L (GRM42-6 CH)	T	196.4/110.6
C507	4030011730	S.CER GRM31M2C2H101JV01L (GRM42-6 CH)	T	204.0/104.2
C508	4030011730	S.CER GRM31M2C2H101JV01L (GRM42-6 CH)	B	209.1/104.5
C509	4030011730	S.CER GRM31M2C2H101JV01L (GRM42-6 CH)	B	206.7/104.5
C510	4030011730	S.CER GRM31M2C2H101JV01L (GRM42-6 CH)	B	210.7/100.4
C511	4030011730	S.CER GRM31M2C2H101JV01L (GRM42-6 CH)	B	218.2/102.6
C512	4030012480	S.CER GRM31M2C2H121JV01L (GRM42-6 CH)	T	216.1/96.5
C513	4030011240	S.CER GRM31M2C2H470JV01L (GRM42-6 CH)	T	216.1/98.6
C515	4030011740	S.CER GRM32N2C2H201JV01L (GRM42-2 CH)	T	191.7/110.1
C517	4030011740	S.CER GRM32N2C2H201JV01L (GRM42-2 CH)	T	191.6/105.0
C519	4030012480	S.CER GRM31M2C2H121JV01L (GRM42-6 CH)	B	198.1/100.4
C520	4030012480	S.CER GRM31M2C2H121JV01L (GRM42-6 CH)	B	198.1/97.1
C521	4030011200	S.CER GRM31M2C2H300JV01L (GRM42-6 CH)	B	198.1/94.7
C522	4030011740	S.CER GRM32N2C2H201JV01L (GRM42-2 CH)	T	200.5/112.5
C524	4030011200	S.CER GRM31M2C2H300JV01L (GRM42-6 CH)	T	204.0/106.3
C525	4030011740	S.CER GRM32N2C2H201JV01L (GRM42-2 CH)	T	204.2/110.9
C527	4030011200	S.CER GRM31M2C2H300JV01L (GRM42-6 CH)	T	204.0/108.4
C528	4030011740	S.CER GRM32N2C2H201JV01L (GRM42-2 CH)	B	201.5/104.3
C530	4030011200	S.CER GRM31M2C2H300JV01L (GRM42-6 CH)	B	204.3/104.5
C531	4030011740	S.CER GRM32N2C2H201JV01L (GRM42-2 CH)	T	216.3/103.2
C533	4030012480	S.CER GRM31M2C2H121JV01L (GRM42-6 CH)	B	215.8/102.6
C534	4030012480	S.CER GRM31M2C2H121JV01L (GRM42-6 CH)	B	212.9/104.1
C535	4030011200	S.CER GRM31M2C2H300JV01L (GRM42-6 CH)	T	216.1/100.7
C551	4030006900	S.CER C1608 JB 1H 103K-T	B	179.3/92.5
C552	4030006900	S.CER C1608 JB 1H 103K-T	T	228.1/104.3
C601	4030012480	S.CER GRM31M2C2H121JV01L (GRM42-6 CH)	B	198.0/86.4
C603	4030011730	S.CER GRM31M2C2H101JV01L (GRM42-6 CH)	B	201.1/81.2
C604	4030011240	S.CER GRM31M2C2H470JV01L (GRM42-6 CH)	B	203.9/83.9
C605	4030012480	S.CER GRM31M2C2H121JV01L (GRM42-6 CH)	B	210.6/86.7
C606	4030012480	S.CER GRM31M2C2H121JV01L (GRM42-6 CH)	B	213.0/87.8
C607	4030012480	S.CER GRM31M2C2H121JV01L (GRM42-6 CH)	B	218.0/85.5
C608	4030011180	S.CER GRM31M2C2H220JV01L (GRM42-6 CH)	B	218.0/83.1
C610	4030012480	S.CER GRM31M2C2H121JV01L (GRM42-6 CH)	B	221.7/89.4
C611	4030011510	S.CER GRM31M2C2H560JV01L (GRM42-6 CH)	B	224.1/89.4
C612	4030011230	S.CER GRM31M2C2H390JV01L (GRM42-6 CH)	B	231.2/89.0
C614	4030012480	S.CER GRM31M2C2H121JV01L (GRM42-6 CH)	B	233.7/92.5
C615	4030012480	S.CER GRM31M2C2H121JV01L (GRM42-6 CH)	B	236.1/91.1
C616	4030012480	S.CER GRM31M2C2H121JV01L (GRM42-6 CH)	B	200.8/87.7
C617	4030012480	S.CER GRM31M2C2H121JV01L (GRM42-6 CH)	T	195.1/85.9
C619	4030012480	S.CER GRM31M2C2H121JV01L (GRM42-6 CH)	B	208.2/86.7
C620	4030011230	S.CER GRM31M2C2H390JV01L (GRM42-6 CH)	B	205.8/86.7
C621	4030011740	S.CER GRM32N2C2H201JV01L (GRM42-2 CH)	B	215.9/89.2
C623	4030012480	S.CER GRM31M2C2H121JV01L (GRM42-6 CH)	T	223.1/86.4
C624	4030012480	S.CER GRM31M2C2H121JV01L (GRM42-6 CH)	B	219.3/89.4

[PA-A UNIT]

REF NO.	PARTS NO.	DESCRIPTION	M.	H/V LOCATION
C625	4030012480	S.CER GRM31M2C2H121JV01L (GRM42-6 CH)	B	226.5/89.4
C626	4030011740	S.CER GRM32N2C2H201JV01L (GRM42-2 CH)	T	225.7/87.4
C629	4030012480	S.CER GRM31M2C2H121JV01L (GRM42-6 CH)	B	228.9/93.7
C651	4030006900	S.CER C1608 JB 1H 103K-T	B	179.8/85.9
C652	4030006900	S.CER C1608 JB 1H 103K-T	T	238.7/98.5
C702	4030011120	S.CER GRM31M2C2H100JV01L (GRM42-6 CH)	B	194.5/65.7
C703	4030011170	S.CER GRM31M2C2H180JV01L (GRM42-6 CH)	B	202.0/63.3
C705	4030011730	S.CER GRM31M2C2H101JV01L (GRM42-6 CH)	B	208.4/59.4
C706	4030011140	S.CER GRM31M2C2H120JV01L (GRM42-6 CH)	B	203.6/59.4
C707	4030011090	S.CER GRM31M2C2H7R0DV01L (GRM42-6 CH)	B	212.9/65.4
C708	4030011240	S.CER GRM31M2C2H470JV01L (GRM42-6 CH)	B	225.3/69.9
C709	4030011240	S.CER GRM31M2C2H470JV01L (GRM42-6 CH)	B	227.7/69.9
C710	4030011140	S.CER GRM31M2C2H120JV01L (GRM42-6 CH)	B	231.6/73.8
C711	4030011060	S.CER GRM31M2C2H4R0CY21L (GRM42-6 CH)	B	231.6/71.4
C713	4030011210	S.CER GRM31M2C2H330JV01L (GRM42-6 CH)	B	233.8/64.5
C714	4030006900	S.CER C1608 JB 1H 103K-T	B	243.6/79.1
C751	4030006900	S.CER C1608 JB 1H 103K-T	B	180.9/71.5
C801	4030018940	S.CER GRM31A7U2J331JW31D	B	187.7/48.7
C802	4030018940	S.CER GRM31A7U2J331JW31D	B	190.1/48.7
C803	4030018940	S.CER GRM31A7U2J331JW31D	B	192.5/48.7
C804	4030018940	S.CER GRM31A7U2J331JW31D	B	194.9/48.7
C805	4030018940	S.CER GRM31A7U2J331JW31D	B	199.7/45.3
C806	4030011170	S.CER GRM31M2C2H101JV01L (GRM42-6 CH)	B	201.6/53.1
C807	4030011550	S.CER GRM31M2C2H680JV01L (GRM42-6 CH)	B	202.1/50.6
C808	4030018930	S.CER GRM31A7U2J221JW31D	B	210.1/49.2
C809	4030018940	S.CER GRM31A7U2J331JW31D	B	212.6/50.1
C810	4030018940	S.CER GRM31A7U2J331JW31D	B	215.0/51.0
C811	4030018940	S.CER GRM31A7U2J331JW31D	B	217.5/51.9
C812	4030012480	S.CER GRM31M2C2H121JV01L (GRM42-6 CH)	B	218.8/48.0
C813	4030019410	S.CER GRM31A7U2J471JW31D	T	224.2/57.0
C814	4030019410	S.CER GRM31A7U2J471JW31D	T	226.3/57.0
C815	4030018940	S.CER GRM31A7U2J331JW31D	T	185.8/49.2
C816	4030018940	S.CER GRM31A7U2J331JW31D	T	188.2/49.2
C817	4030018940	S.CER GRM31A7U2J331JW31D	T	190.6/49.2
C818	4030018940	S.CER GRM31A7U2J331JW31D	T	193.0/49.2
C819	4030011550	S.CER GRM31M2C2H680JV01L (GRM42-6 CH)	T	183.7/49.2
C820	4030011510	S.CER GRM31M2C2H560JV01L (GRM42-6 CH)	B	199.7/47.7
C821	4030018940	S.CER GRM31A7U2J331JW31D	B	207.7/48.6
C822	4030018940	S.CER GRM31A7U2J331JW31D	T	208.0/49.1
C823	4030018940	S.CER GRM31A7U2J331JW31D	T	210.1/46.1
C824	4030018940	S.CER GRM31A7U2J331JW31D	T	212.2/46.1
C825	4030011510	S.CER GRM31M2C2H560JV01L (GRM42-6 CH)	T	212.4/50.4
C826	4030018940	S.CER GRM31A7U2J331JW31D	T	229.6/58.1
C827	4030018930	S.CER GRM31A7U2J221JW31D	T	231.7/58.1
C828	4030011120	S.CER GRM31M2C2H100JV01L (GRM42-6 CH)	T	233.8/58.1
C851	4030006900	S.CER C1608 JB 1H 103K-T	B	180.1/58.8
C852	4030006900	S.CER C1608 JB 1H 103K-T	B	244.3/63.3
C902	4030011230	S.CER GRM31M2C2H390JV01L (GRM42-6 CH)	T	198.1/34.1
C903	4030011210	S.CER GRM31M2C2H330JV01L (GRM42-6 CH)	B	208.2/35.5
C905	4030011730	S.CER GRM31M2C2H101JV01L (GRM42-6 CH)	T	216.8/33.7
C906	4030011510	S.CER GRM31M2C2H560JV01L (GRM42-6 CH)	T	219.2/33.7
C908	4030011160	S.CER GRM31M2C2H150JV01L (GRM42-6 CH)	B	228.9/43.8
C910	4030014460	S.CER GRM31M2C2H820JV01L (GRM42-6 CH)	T	232.8/40.8
C951	4030006900	S.CER C1608 JB 1H 103K-T	B	180.7/33.1
C952	4030006900	S.CER C1608 JB 1H 103K-T	B	242.2/49.5
C1001	4030011740	S.CER GRM32N2C2H201JV01L (GRM42-2 CH)	T	209.8/20.7
C1002	4030011730	S.CER GRM31M2C2H101JV01L (GRM42-6 CH)	B	217.7/18.7
C1003	4030011080	S.CER GRM31M2C2H6R0DV01L (GRM42-6 CH)	B	217.7/21.1
C1004	4030014460	S.CER GRM31M2C2H820JV01L (GRM42-6 CH)	B	219.2/29.8
C1005	4030012480	S.CER GRM31M2C2H121JV01L (GRM42-6 CH)	B	221.6/29.8
C1007	4030011230	S.CER GRM31M2C2H390JV01L (GRM42-6 CH)	B	227.9/28.2
C1008	4030014460	S.CER GRM31M2C2H820JV01L (GRM42-6 CH)	T	232.3/30.5
C1011	4030011200	S.CER GRM31M2C2H300JV01L (GRM42-6 CH)	B	224.0/29.8
C1051	4030006900	S.CER C1608 JB 1H 103K-T	B	179.5/23.0
C1052	4030006900	S.CER C1608 JB 1H 103K-T	B	244.1/35.0
C1101	4030011730	S.CER GRM31M2C2H101JV01L (GRM42-6 CH)	T	199.4/5.0
C1102	4030011210	S.CER GRM31M2C2H330JV01L (GRM42-6 CH)	T	199.4/2.9
C1103	4030011170	S.CER GRM31M2C2H180JV01L (GRM42-6 CH)	B	208.0/8.6

M.=Mounted side (T: Mounted on the Top side, B: Mounted on the Bottom side)
S.=Surface mount

[PA-A UNIT]

REF NO.	PARTS NO.	DESCRIPTION	M.	H/V LOCATION
C1104	4030012480	S.CER GRM31M2C2H121JV01L (GRM42-6 CH)	T	215.2/5.3
C1105	4030011730	S.CER GRM31M2C2H101JV01L (GRM42-6 CH)	T	217.6/5.3
C1106	4030011120	S.CER GRM31M2C2H100JV01L (GRM42-6 CH)	T	220.0/5.3
C1107	4030011240	S.CER GRM31M2C2H470JV01L (GRM42-6 CH)	B	227.8/9.2
C1108	4030011730	S.CER GRM31M2C2H101JV01L (GRM42-6 CH)	B	231.7/7.0
C1151	4030006900	S.CER C1608 JB 1H 103K-T	B	179.5/8.9
C1152	4030006900	S.CER C1608 JB 1H 103K-T	B	245.1/20.4
C1251	4030006900	S.CER C1608 JB 1H 103K-T	T	186.6/117.5
C1252	4030006900	S.CER C1608 JB 1H 103K-T	T	205.5/122.2
C1253	4030006900	S.CER C1608 JB 1H 103K-T	T	200.3/122.2
C1254	4030006900	S.CER C1608 JB 1H 103K-T	T	195.1/122.2
C1255	4030006900	S.CER C1608 JB 1H 103K-T	T	197.7/122.2
C1256	4030006900	S.CER C1608 JB 1H 103K-T	T	208.1/122.2
C1257	4030006900	S.CER C1608 JB 1H 103K-T	T	210.7/122.2
C1258	4030006900	S.CER C1608 JB 1H 103K-T	T	202.9/122.2
RL51	6330001471	REL AJS1311F-K2		
RL501	6330001721	REL ATN207-K1		
RL502	6330001721	REL ATN207-K1		
RL601	6330001721	REL ATN207-K1		
RL602	6330001721	REL ATN207-K1		
RL701	6330001721	REL ATN207-K1		
RL702	6330001721	REL ATN207-K1		
RL801	6330001721	REL ATN207-K1		
RL802	6330001721	REL ATN207-K1		
RL901	6330001721	REL ATN207-K1		
RL902	6330001721	REL ATN207-K1		
RL1001	6330001721	REL ATN207-K1		
RL1002	6330001721	REL ATN207-K1		
RL1101	6330001721	REL ATN207-K1		
RL1102	6330001721	REL ATN207-K1		
CP361	6910009670	S.CHE HK3-S-T	T	87.9/3.7
CP362	6910009670	S.CHE HK3-S-T	T	87.9/7.0
J201	6510007020	CON TMP-J01X-V6		
J401	6510020081	S.CON 52808-2071(2090)	T	6.5/31.0
J402	6510020051	S.CON B11B-PH-SM4-TB(LF)(SN)	T	7.5/67.5
J451	6510014961	S.CON B2B-ZR-SM4-TF(LF)(SN)	T	22.8/119.6
J462	6510018971	S.CON B4B-PH-SM4-TB(LF)(SN)	T	177.9/73.9
J1201	6510007020	CON TMP-J01X-V6		
F1	5220000400	HOL FHA010-01F		
F2	5210001050	S.FUS ICP-S0.5TN	T	21.2/79.5
F3	5210000940	FUS 1205		
EP1	6910020710	E.O OT-047 M3		
EP2	6910020710	E.O OT-047 M3		
EP131	6910014730	S.BEA MPZ2012S331A-T	T	29.0/70.1
EP351	6910012350	S.BEA MMZ1608Y 102BT	T	22.8/13.7
EP352	6910019200	S.BEA N2012ZPS121T50	T	60.0/44.7
EP353	6910019200	S.BEA N2012ZPS121T50	T	63.3/44.7
EP354	6910019200	S.BEA N2012ZPS121T50	T	69.7/47.8
EP401	6910014680	S.BEA MMZ1608Y 121BT	T	14.6/61.5
EP402	6910014640	S.BEA MPZ2012S221A-T	T	15.0/65.5
EP403	6910014640	S.BEA MPZ2012S221A-T	T	15.0/63.5
EP404	6910014640	S.BEA MPZ2012S221A-T	T	15.0/71.5
EP405	6910014640	S.BEA MPZ2012S221A-T	T	15.0/69.5
EP406	6910014640	S.BEA MPZ2012S221A-T	T	15.0/73.5
EP408	6910014690	S.BEA MPZ1608S221A-T	T	14.7/67.5
EP410	6910014680	S.BEA MMZ1608Y 121BT	T	11.1/31.7
EP411	6910014680	S.BEA MMZ1608Y 121BT	T	11.1/33.0
EP451	6910018930	S.BEA MPZ2012S601A	T	29.5/116.2
EP452	6910018930	S.BEA MPZ2012S601A	T	27.2/116.2
EP461	6910018930	S.BEA MPZ2012S601A	B	172.2/75.1
EP462	6910018930	S.BEA MPZ2012S601A	T	173.4/68.7

[CTRL UNIT]

REF NO.	PARTS NO.	DESCRIPTION	M.	H/V LOCATION
IC31	1110000960	S.IC NJM4558M-TE1-#FMZB	B	14.0/51.3
IC41	1110003800	S.IC NJM2904V-TE1-#FMZB	T	12.9/40.0
IC111	1120002301	S.IC TC74AC04(F) S	T	29.3/50.7
IC121	1120002252	S.IC TC74ACT32(F)	B	30.0/48.0
IC131	1120002242	S.IC TC74AC112(F)	T	31.8/39.4
IC171	1110000960	S.IC NJM4558M-TE1-#FMZB	B	44.2/42.8
IC431	1110002690	S.IC NJM2903M-TE1-#FMZB	B	67.3/141.3
IC701	1140015072	S.IC R5F212A7SNFP(SX-3073B-2)	T	66.0/39.0
IC702	1130011570	S.IC BR24L32FV-WE2	T	55.9/28.4
IC801	1180001072	S.IC TA7805F(TE16L1NQ)	T	38.5/26.8
IC811	1110005920	S.IC S-80851CNMC-B9CT2G	T	44.2/17.8
IC841	1130012620	S.IC SN74AHC1G86DCKR	T	58.7/18.1
Q151	1560000871	S.FET 2SK515-T1B-A (X33)	B	43.8/52.4
Q153	1590003770	S.TRA KRA302E-RTK/P	T	50.1/40.7
Q203	1590003680	S.TRA KRC402 RTK/P	B	45.2/78.5
Q281	1520000561	S.TRA 2SB1123 T-TD-E	B	63.7/61.5
Q282	1540000441	S.TRA 2SD1619T-TD-E	B	68.3/87.2
Q283	1590003680	S.TRA KRC402 RTK/P	B	67.6/55.9
Q303	1590003680	S.TRA KRC402 RTK/P	B	77.3/105.7
Q353	1590003680	S.TRA KRC402 RTK/P	B	67.9/118.6
Q503	1590003680	S.TRA KRC402 RTK/P	T	62.8/145.6
Q603	1530003900	S.TRA KTC4075 BL-RTK/P	T	76.6/113.9
Q604	1590003680	S.TRA KRC402 RTK/P	T	76.9/112.1
Q621	1590003770	S.TRA KRA302E-RTK/P	T	77.7/111.1
Q651	1530003960	S.TRA KTC2875-B-RTK/P	B	77.1/115.8
Q810	1590003680	S.TRA KRC402 RTK/P	T	49.7/4.6
Q811	1590003680	S.TRA KRC402 RTK/P	T	79.7/16.3
Q820	1590003680	S.TRA KRC402 RTK/P	T	78.5/13.7
Q821	1590003770	S.TRA KRA302E-RTK/P	T	74.6/19.7
Q822	1590003680	S.TRA KRC402 RTK/P	T	75.0/17.4
Q831	1590003680	S.TRA KRC402 RTK/P	B	54.3/18.0
Q832	1590003680	S.TRA KRC402 RTK/P	B	50.0/20.0
Q851	1590003680	S.TRA KRC402 RTK/P	B	57.7/23.2
Q861	1590003680	S.TRA KRC402 RTK/P	B	64.6/19.4
Q1001	1590003680	S.TRA KRC402 RTK/P	B	17.4/10.2
Q1002	1590003680	S.TRA KRC402 RTK/P	B	19.1/13.4
Q1003	1590003680	S.TRA KRC402 RTK/P	B	21.4/9.9
Q1004	1590003680	S.TRA KRC402 RTK/P	B	23.1/13.1
Q1005	1590003680	S.TRA KRC402 RTK/P	B	24.8/9.9
Q1006	1590003680	S.TRA KRC402 RTK/P	B	26.5/13.4
Q1007	1590003680	S.TRA KRC402 RTK/P	B	28.5/10.2
Q1008	1590003680	S.TRA KRC402 RTK/P	B	30.5/13.4
D12	1790000491	S.DIO HSM88ASTR-E	T	19.2/54.7
D31	1750000201	S.DIO 1SS319(TE85RF)	T	13.9/45.1
D101	1790000491	S.DIO HSM88ASTR-E	B	24.9/54.7
D102	1790000491	S.DIO HSM88ASTR-E	B	32.3/55.3
D131	1790000491	S.DIO HSM88ASTR-E	B	30.3/36.4
D132	1790000491	S.DIO HSM88ASTR-E	B	36.0/39.5
D151	1790000491	S.DIO HSM88ASTR-E	B	50.1/57.7
D152	1790000491	S.DIO HSM88ASTR-E	B	39.1/57.7
D171	1750000201	S.DIO 1SS319(TE85RF)	T	41.2/46.9
D201	1750001320	S.DIO KDS4148U RTK/P	T	44.5/79.5
D251	1710000140	DIO U05G		
D301	1750001320	S.DIO KDS4148U RTK/P	B	68.3/102.9
D351	1750001320	S.DIO KDS4148U RTK/P	B	68.9/112.0
D401	1790000491	S.DIO HSM88ASTR-E	B	65.7/132.4
D501	1750001320	S.DIO KDS4148U RTK/P	B	66.3/146.8
D601	1750001320	S.DIO KDS4148U RTK/P	B	74.4/113.9
D602	1790000981	S.DIO MA3J7420GL	T	78.0/118.1
D621	1750001320	S.DIO KDS4148U RTK/P	T	74.8/136.8
D651	1750000851	S.DIO MMBV3700LT1G	B	77.5/119.3
D652	1750000851	S.DIO MMBV3700LT1G	B	77.8/122.9
D802	1750001320	S.DIO KDS4148U RTK/P	T	38.3/16.9
D1001	1750000201	S.DIO 1SS319(TE85RF)	T	29.8/18.6
D1002	1750000201	S.DIO 1SS319(TE85RF)	T	26.3/18.6
D1003	1750000201	S.DIO 1SS319(TE85RF)	T	21.8/18.6
D1004	1750000201	S.DIO 1SS319(TE85RF)	T	18.3/18.6
X701	6050009520	S.XTA CR-520 SMD-49 19.6608 MHz <KDS>	T	65.9/26.8
L11	6140003270	COI LR-364 (TR10X5X5 3A6)		
L101	6140003270	COI LR-364 (TR10X5X5 3A6)		
L102	6200005011	S.COI NLV25T-100J	B	18.75/44.3
L151	6140003270	COI LR-364 (TR10X5X5 3A6)		
L152	6180003300	COI T6-222J (2.2M)		
L171	6200005011	S.COI NLV25T-100J	B	40.0/32.6
L172	6200002041	S.COI NLV25T-101J	B	10.1/45.7
L252	6140004740	COI LR-533		
L254	6140004740	COI LR-533		
L401	6140003270	COI LR-364 (TR10X5X5 3A6)		
L402	6180003300	COI T6-222J (2.2M)		
L431	6200002041	S.COI NLV25T-101J	B	71.6/135.8
L621	6110001640	COI LA-247		
L622	6110004020	COI LA-624		
L623	6110001630	COI LA-246		
L701	6200009300	S.COI ELJPA 100KF 10U	B	53.4/33.4
L702	6200002041	S.COI NLV25T-101J	B	52.6/30.7
L841	6200002041	S.COI NLV25T-101J	T	54.7/20.6
L1001	6200005131	S.COI NLC453232T-101K-PF	T	34.5/17.9
L1201	6200005011	S.COI NLV25T-100J	T	75.6/12.7
R14	7030003560	S.RES ERJ3GEYJ 103 V (10K)	T	19.1/52.3
R15	7030003720	S.RES ERJ3GEYJ 224 V (220K)	T	8.3/49.1
R16	7030003720	S.RES ERJ3GEYJ 224 V (220K)	T	19.5/50.3
R17	7030003670	S.RES ERJ3GEYJ 823 V (82K)	T	8.3/45.8
R18	7030003670	S.RES ERJ3GEYJ 823 V (82K)	T	19.5/47.6
R19	7030003860	S.RES ERJ3GE JPW V	T	9.5/45.8
R20	7030003860	S.RES ERJ3GE JPW V	T	18.3/47.6

M.=Mounted side (T: Mounted on the Top side, B: Mounted on the Bottom side)
S.=Surface mount

[CTRL UNIT]

REF NO.	PARTS NO.	DESCRIPTION	M.	H/V LOCATION
R21	7030003640	S.RES ERJ3GEYJ 473 V (47K)	T	18.6/42.7
R31	7030003720	S.RES ERJ3GEYJ 224 V (220K)	B	13.2/55.3
R32	7030003720	S.RES ERJ3GEYJ 224 V (220K)	B	15.6/54.7
R33	7030003790	S.RES ERJ3GEYJ 824 V (820K)	B	19.1/52.6
R34	7030003800	S.RES ERJ3GEYJ 105 V (1M)	B	8.9/51.4
R35	7030003440	S.RES ERJ3GEYJ 102 V (1K)	B	7.3/51.4
R36	7030003440	S.RES ERJ3GEYJ 102 V (1K)	B	20.7/52.40
R43	7030003860	S.RES ERJ3GE JPW V	T	17.5/38.8
R44	7030003860	S.RES ERJ3GE JPW V	T	8.3/40.0
R45	7030003860	S.RES ERJ3GE JPW V	T	7.1/38.5
R46	7030003500	S.RES ERJ3GEYJ 332 V (3.3K)	T	16.8/36.9
R101	7030010540	S.RES ERJ1TYJ 330U (33)	B	30.7/63.4
R102	7030003860	S.RES ERJ3GE JPW V	B	29.2/56.3
R104	7030003320	S.RES ERJ3GEYJ 101 V (100)	B	31.4/57.7
R105	7030003320	S.RES ERJ3GEYJ 101 V (100)	B	23.7/57.4
R111	7030003860	S.RES ERJ3GE JPW V	T	23.5/52.0
R112	7030003800	S.RES ERJ3GEYJ 105 V (1M)	T	34.4/50.3
R113	7030003800	S.RES ERJ3GEYJ 105 V (1M)	T	23.5/50.8
R114	7030003280	S.RES ERJ3GEYJ 470 V (47)	T	23.5/49.6
R115	7030003280	S.RES ERJ3GEYJ 470 V (47)	B	35.6/51.3
R116	7030003440	S.RES ERJ3GEYJ 102 V (1K)	T	23.5/48.4
R117	7030003440	S.RES ERJ3GEYJ 102 V (1K)	B	37.2/51.3
R118	7030003860	S.RES ERJ3GE JPW V	T	21.5/53.6
R121	7030003280	S.RES ERJ3GEYJ 470 V (47)	B	30.7/40.3
R122	7030003280	S.RES ERJ3GEYJ 470 V (47)	B	30.7/41.9
R123	7030003280	S.RES ERJ3GEYJ 470 V (47)	T	29.1/44.5
R124	7030003440	S.RES ERJ3GEYJ 102 V (1K)	B	27.6/41.9
R125	7030003440	S.RES ERJ3GEYJ 102 V (1K)	B	27.6/40.3
R126	7030003440	S.RES ERJ3GEYJ 102 V (1K)	T	31.7/44.5
R131	7030003250	S.RES ERJ3GEYJ 270 V (27)	T	32.9/34.3
R132	7030003280	S.RES ERJ3GEYJ 470 V (47)	T	32.9/33.0
R133	7030003480	S.RES ERJ3GEYJ 222 V (2.2K)	B	33.0/37.7
R134	7030003500	S.RES ERJ3GEYJ 332 V (3.3K)	B	31.0/33.9
R135	7030003360	S.RES ERJ3GEYJ 221 V (220)	B	35.0/34.5
R151	7030010550	S.RES ERJ1TYJ 820U (82)	B	45.6/63.2
R152	7030003560	S.RES ERJ3GEYJ 103 V (10K)	B	39.8/54.9
R153	7030003560	S.RES ERJ3GEYJ 103 V (10K)	B	49.3/54.0
R154	7030003800	S.RES ERJ3GEYJ 105 V (1M)	B	39.0/52.6
R155	7030003560	S.RES ERJ3GEYJ 103 V (10K)	B	41.1/52.2
R156	7030003520	S.RES ERJ3GEYJ 472 V (4.7K)	B	42.2/49.1
R157	7030003440	S.RES ERJ3GEYJ 102 V (1K)	B	40.6/49.0
R158	7030004710	S.RES ERJ3GEYJ 475 V (4.7M)	B	39.0/49.5
R171	7030003480	S.RES ERJ3GEYJ 222 V (2.2K)	B	33.4/34.6
R172	7030003560	S.RES ERJ3GEYJ 103 V (10K)	B	46.2/48.3
R173	7030003580	S.RES ERJ3GEYJ 153 V (15K)	T	42.9/43.8
R174	7030003530	S.RES ERJ3GEYJ 562 V (5.6K)	T	41.7/38.1
R175	7030003680	S.RES ERJ3GEYJ 104 V (100K)	B	37.3/35.2
R176	7030003540	S.RES ERJ3GEYJ 682 V (6.8K)	T	45.7/41.4
R177	7030003540	S.RES ERJ3GEYJ 682 V (6.8K)	T	47.1/41.4
R178	7030003680	S.RES ERJ3GEYJ 104 V (100K)	B	48.9/46.3
R181	7030003670	S.RES ERJ3GEYJ 823 V (82K)	T	43.5/42.0
R182	7030003680	S.RES ERJ3GEYJ 104 V (100K)	T	43.5/40.6
R183	7030003800	S.RES ERJ3GEYJ 105 V (1M)	B	38.4/36.8
R184	7030003820	S.RES ERJ3GEYJ 155 V (1.5M)	B	49.2/43.5
R185	7030003560	S.RES ERJ3GEYJ 103 V (10K)	B	38.9/39.3
R186	7030003560	S.RES ERJ3GEYJ 103 V (10K)	B	49.3/47.9
R187	7030003560	S.RES ERJ3GEYJ 103 V (10K)	B	37.2/42.9
R188	7030003560	S.RES ERJ3GEYJ 103 V (10K)	B	52.4/47.9
R189	7030003680	S.RES ERJ3GEYJ 104 V (100K)	B	38.1/45.2
R190	7030003680	S.RES ERJ3GEYJ 104 V (100K)	B	53.0/45.6
R191	7030003680	S.RES ERJ3GEYJ 104 V (100K)	B	51.8/50.3
R192	7030003680	S.RES ERJ3GEYJ 104 V (100K)	B	38.1/46.8
R251	7030003480	S.RES ERJ3GEYJ 222 V (2.2K)	B	69.5/70.3
R252	7030000160	S.RES MCR10EZHH 15 (150)	B	65.2/66.3
R253	7030000160	S.RES MCR10EZHH 15 (150)	B	64.0/87.3
R254	7030000160	S.RES MCR10EZHH 15 (150)	B	67.2/66.3
R255	7030000160	S.RES MCR10EZHH 15 (150)	B	62.0/87.3
R281	7030012240	S.RES ERJ1TYJ 471U (470)	B	66.2/78.0
R282	7030003640	S.RES ERJ3GEYJ 473 V (47K)	B	62.8/57.2
R283	7030003560	S.RES ERJ3GEYJ 103 V (10K)	B	67.8/90.4
R284	7030003400	S.RES ERJ3GEYJ 471 V (470)	B	70.9/91.1
R285	7030003340	S.RES ERJ3GEYJ 151 V (150)	B	65.9/57.8
R301	7540000130	ABS 2P-50A-301		
R401	7030010910	S.RES ERJ1TYJ 150U (15)	T	72.5/126.1
R402	7030003650	S.RES ERJ3GEYJ 563 V (56K)	B	68.0/134.1
R403	7030003710	S.RES ERJ3GEYJ 184 V (180K)	T	42.0/50.8
R431	7030003610	S.RES ERJ3GEYJ 273 V (27K)	T	46.1/77.55
R432	7030003660	S.RES ERJ3GEYJ 683 V (68K)	T	46.1/76.4
R434	7030003680	S.RES ERJ3GEYJ 104 V (100K)	T	46.1/73.95
R435	7030003840	S.RES ERJ3GEYJ 225 V (2.2M)	T	55.2/82.0
R436	7030003860	S.RES ERJ3GE JPW V	T	56.4/82.0
R437	7030003560	S.RES ERJ3GEYJ 103 V (10K)	T	64.0/60.4
R602	7030003480	S.RES ERJ3GEYJ 222 V (2.2K)	T	109.95/98.8
R603	7030003680	S.RES ERJ3GEYJ 104 V (100K)	T	110.0/97.5
R621	7030003360	S.RES ERJ3GEYJ 221 V (220)	T	65.7/104.85
R651	7030003480	S.RES ERJ3GEYJ 222 V (2.2K)	T	52.4/50.35
R652	7030003390	S.RES ERJ3GEYJ 391 V (390)	T	61.5/51.6
R653	7030003520	S.RES ERJ3GEYJ 472 V (4.7K)	T	66.6/50.3
R654	7030003390	S.RES ERJ3GEYJ 391 V (390)	T	88.4/50.3
R655	7030003470	S.RES ERJ3GEYJ 182 V (1.8K)	T	85.55/120.5
R656	7030003520	S.RES ERJ3GEYJ 472 V (4.7K)	T	82.1/119.7
R657	7030003440	S.RES ERJ3GEYJ 102 V (1K)	B	74.9/122.3
R659	7030003460	S.RES ERJ3GEYJ 152 V (1.5K)	T	85.6/119.2
R700	7030003860	S.RES ERJ3GE JPW V	T	73.9/53.0
R707	7030003640	S.RES ERJ3GEYJ 473 V (47K)	T	67.8/47.6
R708	7030003860	S.RES ERJ3GE JPW V	T	63.0/47.6
R710	7030003860	S.RES ERJ3GE JPW V	T	55.2/44.7
R711	7030003860	S.RES ERJ3GE JPW V	T	55.2/39.6
R712	7030003860	S.RES ERJ3GE JPW V	T	55.2/38.4
R713	7030003520	S.RES ERJ3GEYJ 472 V (4.7K)	B	66.8/36.0
R714	7030003860	S.RES ERJ3GE JPW V	B	36.7/22.0
R715	7030003680	S.RES ERJ3GEYJ 104 V (100K)	B	68.1/33.8
R717	7030003600	S.RES ERJ3GEYJ 223 V (22K)	T	58.4/29.5
R718	7030003560	S.RES ERJ3GEYJ 103 V (10K)	T	55.9/34.0
R720	7030003640	S.RES ERJ3GEYJ 473 V (47K)	T	66.6/47.6

[CTRL UNIT]

REF NO.	PARTS NO.	DESCRIPTION	M.	H/V LOCATION
R721	7030003800	S.RES ERJ3GEYJ 105 V (1M)	T	65.8/31.5
R809	7030003440	S.RES ERJ3GEYJ 102 V (1K)	T	77.2/16.5
R810	7030003440	S.RES ERJ3GEYJ 102 V (1K)	B	77.7/15.5
R811	7030003530	S.RES ERJ3GEYJ 562 V (5.6K)	T	42.5/15.5
R812	7030003590	S.RES ERJ3GEYJ 183 V (18K)	T	43.5/20.2
R813	7030003470	S.RES ERJ3GEYJ 182 V (1.8K)	T	41.9/17.5
R820	7030003440	S.RES ERJ3GEYJ 102 V (1K)	T	75.2/15.5
R831	7030003520	S.RES ERJ3GEYJ 472 V (4.7K)	B	49.4/23.1
R833	7030003560	S.RES ERJ3GEYJ 103 V (10K)	B	52.2/19.8
R841	7030003560	S.RES ERJ3GEYJ 103 V (10K)	B	53.8/23.1
R842	7030003440	S.RES ERJ3GEYJ 102 V (1K)	B	54.5/20.7
R901	7030003680	S.RES ERJ3GEYJ 104 V (100K)	T	57.6/4.8
R902	7030003360	S.RES ERJ3GEYJ 221 V (220)	T	54.0/4.8
R904	7030003440	S.RES ERJ3GEYJ 102 V (1K)	T	60.0/4.8
R905	7030003400	S.RES ERJ3GEYJ 471 V (470)	T	60.7/15.7
R906	7030003400	S.RES ERJ3GEYJ 471 V (470)	T	61.9/15.7
R907	7030003400	S.RES ERJ3GEYJ 471 V (470)	T	63.1/15.7
R908	7030003400	S.RES ERJ3GEYJ 471 V (470)	T	64.3/15.7
R909	7030003560	S.RES ERJ3GEYJ 103 V (10K)	T	61.2/4.8
R911	7030000010	S.RES MCR10EZHH JPW (000)	T	49.2/14.3
R1001	7030003380	S.RES ERJ3GEYJ 331 V (330)	T	30.8/21.5
R1002	7030003380	S.RES ERJ3GEYJ 331 V (330)	T	28.9/21.5
R1003	7030003380	S.RES ERJ3GEYJ 331 V (330)	T	27.3/21.5
R1004	7030003380	S.RES ERJ3GEYJ 331 V (330)	T	25.4/21.5
R1005	7030003380	S.RES ERJ3GEYJ 331 V (330)	T	22.8/21.5
R1006	7030003380	S.RES ERJ3GEYJ 331 V (330)	T	20.9/21.5
R1007	7030003380	S.RES ERJ3GEYJ 331 V (330)	T	19.3/21.5
R1008	7030003380	S.RES ERJ3GEYJ 331 V (330)	T	17.4/21.5
R1101	7410000950	S.ARR EXB-V8V 102JV	T	83.1/19.3
R1102	7410000950	S.ARR EXB-V8V 102JV	T	83.1/23.0
R1103	7410000950	S.ARR EXB-V8V 102JV	T	83.1/27.0
R1104	7410000950	S.ARR EXB-V8V 102JV	T	83.1/31.0
R1201	7030003440	S.RES ERJ3GEYJ 102 V (1K)	T	73.7/12.3
R1202	7030003440	S.RES ERJ3GEYJ 102 V (1K)	T	72.5/12.3
C3	4030011040	S.CER GRM31M4C2H2R0CY21L (GRM42-6 CK)	T	7.2/13.2
C10	4030007060	S.CER C1608 CH 1H 270J-T	T	9.5/51.9
C11	4030005040	S.CER C2012 CH 1H 271J-T	B	16.0/59.5
C12	4030011040	S.CER GRM31M4C2H2R0CY21L (GRM42-6 CK)	B	8.5/62.2
C13	4030011040	S.CER GRM31M4C2H2R0CY21L (GRM42-6 CK)	B	21.6/63.9
C15	4610001850	S.TRI TZB4R200AB10R00 (TZBX4R200BA110)	T	2.4/52.3
C16	4030007090	S.CER C1608 CH 1H 470J-T	T	6.5/53.9
C18	4030011540	S.CER C1608 CH 1H 750J-T	B	20.6/58.8
C19	4030006860	S.CER C1608 JB 1H 102K-T	T	9.5/49.1
C20	4030006880	S.CER C1608 JB 1H 472K-T	T	18.3/50.3
C23	4030007090	S.CER C1608 CH 1H 470J-T	T	5.3/53.9
C31	4030006900	S.CER C1608 JB 1H 103K-T	T	11.5/44.0
C32	4030006900	S.CER C1608 JB 1H 103K-T	T	16.3/44.0
C33	4030006900	S.CER C1608 JB 1H 103K-T	B	11.6/55.3
C34	4030006900	S.CER C1608 JB 1H 103K-T	B	14.8/47.1
C35	4030019560	S.CER GRM21BB31C106KE15L	B	8.9/54.9
C36	4030019560	S.CER GRM21BB31C106KE15L	B	13.0/47.1
C43	4030006900	S.CER C1608 JB 1H 103K-T	T	10.7/35.5
C45	4030019560	S.CER GRM21BB31C106KE15L	T	11.0/37.1
C101	4030011050	S.CER GRM31M3C2H3R0CY21L (GRM42-6 CJ)	B	24.0/62.5
C102	4030007070	S.CER C1608 CH 1H 330J-T	B	27.6/57.8
C103	4030007070	S.CER C1608 CH 1H 330J-T	B	30.4/60.9
C104	4030007070	S.CER C1608 CH 1H 330J-T	B	26.0/58.0
C105	4030006900	S.CER C1608 JB 1H 103K-T	B	23.7/59.0
C106	4030007120	S.CER C1608 CH 1H 820J-T	B	31.4/55.3
C107	4030006900	S.CER C1608 JB 1H 103K-T	B	34.9/59.1
C108	4030011070	S.CER GRM31M2C2H5R0CY21L (GRM42-6 CH)	B	35.6/70.7
C111	4030006900	S.CER C1608 JB 1H 103K-T	T	34.4/55.5
C112	4030019560	S.CER GRM21BB31C106KE15L	T	36.0/55.8
C121	4030006900	S.CER C1608 JB 1H 103K-T	B	23.7/51.1
C131	4030006900	S.CER C1608 JB 1H 103K-T	T	25.6/42.3
C132	4030019560	S.CER GRM21BB31C106KE15L	T	24.1/44.0
C133	4030007170	S.CER C1608 CH 1H 221J-T	T	30.3/34.3
C134	4030007170	S.CER C1608 CH 1H 221J-T	T	30.3/33.0
C135	4030006900	S.CER C1608 JB 1H 103K-T	B	35.3/36.8
C152	4030011020	S.CER GRM31M4C2H1R0CY21L (GRM42-6 CK)	B	39.6/65.2
C153	4030011570	S.CER CM105 CH 101G 50AT	B	47.5/58.0
C154	4030016550	S.CER CM105 CH 151G 50AT	B	43.1/58.0
C157	4030006900	S.CER C1608 JB 1H 103K-T	B	42.8/55.6
C158	4030006860	S.CER C1608 JB 1H 102K-T	B	46.3/51.6
C159				

[CTRL UNIT]

REF NO.	PARTS NO.	DESCRIPTION	M.	H/V LOCATION
C301	4030006900	S.CER C1608 JB 1H 103K-T	B	69.9/102.7
C302	4030011070	S.CER GRM31M2C2H5R0CY21L (GRM42-6 CH)	B	50.6/103.8
C304	4030006900	S.CER C1608 JB 1H 103K-T	B	67.5/105.8
C351	4030006900	S.CER C1608 JB 1H 103K-T	B	69.3/113.6
C352	4030006900	S.CER C1608 JB 1H 103K-T	B	68.0/121.0
C401	4030006860	S.CER C1608 JB 1H 102K-T	B	62.6/135.9
C408	4030007130	S.CER C1608 CH 1H 101J-T	T	65.8/129.9
C431	4030006860	S.CER C1608 JB 1H 102K-T	T	68.7/137.7
C432	4030006860	S.CER C1608 JB 1H 102K-T	T	64.7/144.4
C433	4030011600	S.CER C1608 JB 1E 104K-T	B	63.6/143.6
C501	4030006900	S.CER C1608 JB 1H 103K-T	T	70.9/150.6
C502	4030006900	S.CER C1608 JB 1H 103K-T	T	66.3/146.3
C601	4030006900	S.CER C1608 JB 1H 103K-T	B	72.8/114.0
C604	4030009520	S.CER C1608 CH 1H 020B-T	T	76.0/122.4
C605	4030007050	S.CER C1608 CH 1H 220J-T	T	77.8/120.0
C606	4030010760	S.CER C1608 CH 1H 331J-T	T	76.0/119.3
C608	4030006860	S.CER C1608 JB 1H 102K-T	B	74.7/110.4
C620	4030006900	S.CER C1608 JB 1H 103K-T	T	75.1/135.2
C621	4030007060	S.CER C1608 CH 1H 270J-T	B	81.8/140.5
C622	4030007010	S.CER C1608 CH 1H 100D-T	B	78.6/141.2
C623	4030007080	S.CER C1608 CH 1H 390J-T	B	79.7/138.7
C624	4030007090	S.CER C1608 CH 1H 470J-T	B	81.9/134.9
C625	4030007080	S.CER C1608 CH 1H 390J-T	B	79.8/129.0
C626	4030007080	S.CER C1608 CH 1H 390J-T	B	81.9/128.3
C651	4030011340	S.CER C1608 CH 1H 471J-T	T	80.0/109.5
C654	4030011600	S.CER C1608 JB 1E 104K-T	B	83.5/126.8
C701	4030006900	S.CER C1608 JB 1H 103K-T	T	55.2/43.5
C702	4030006900	S.CER C1608 JB 1H 103K-T	T	55.2/42.3
C703	4030006900	S.CER C1608 JB 1H 103K-T	T	55.2/41.1
C704	4030006900	S.CER C1608 JB 1H 103K-T	T	57.9/40.7
C705	4030011600	S.CER C1608 JB 1E 104K-T	T	57.8/35.8
C706	4030011600	S.CER C1608 JB 1E 104K-T	T	58.4/26.7
C707	4030007020	S.CER C1608 CH 1H 120J-T	T	67.5/30.1
C708	4030007020	S.CER C1608 CH 1H 120J-T	T	63.9/30.1
C710	4030011600	S.CER C1608 JB 1E 104K-T	T	70.3/30.1
C712	4030011600	S.CER C1608 JB 1E 104K-T	B	70.2/108.4
C713	4030011600	S.CER C1608 JB 1E 104K-T	B	66.0/31.7
C801	4510009880	S.ELE EEEHBC471UAP	T	47.6/25.9
C802	4030011600	S.CER C1608 JB 1E 104K-T	T	42.5/24.3
C803	4510009920	S.ELE 16 CE 100 LH	T	30.3/27.2
C804	4030011600	S.CER C1608 JB 1E 104K-T	T	34.5/24.3
C811	4030006900	S.CER C1608 JB 1H 103K-T	T	45.1/15.5
C821	4030006900	S.CER C1608 JB 1H 103K-T	T	76.3/19.9
C841	4030011600	S.CER C1608 JB 1E 104K-T	T	56.8/18.3
C851	4030006900	S.CER C1608 JB 1H 103K-T	B	57.8/25.7
C901	4030006900	S.CER C1608 JB 1H 103K-T	T	64.3/18.8
C907	4030011340	S.CER C1608 CH 1H 471J-T	T	56.4/1.7
C912	4030006900	S.CER C1608 JB 1H 103K-T	T	49.3/18.8
C913	4030006900	S.CER C1608 JB 1H 103K-T	T	42.5/13.0
C914	4510009880	S.ELE EEEHBC471UAP	T	38.3/8.4
C1001	4030019180	S.CER TMK212BJ105KG-T	T	17.2/2.0
C1002	4030019180	S.CER TMK212BJ105KG-T	T	19.0/2.0
C1003	4030019180	S.CER TMK212BJ105KG-T	T	20.7/2.0
C1004	4030019180	S.CER TMK212BJ105KG-T	T	22.5/2.0
C1005	4030019180	S.CER TMK212BJ105KG-T	T	24.2/2.0
C1006	4030019180	S.CER TMK212BJ105KG-T	T	26.0/2.0
C1007	4030019180	S.CER TMK212BJ105KG-T	T	27.7/2.0
C1008	4030019180	S.CER TMK212BJ105KG-T	T	29.5/2.0
C1101	4030006900	S.CER C1608 JB 1H 103K-T	T	78.3/19.6
C1102	4030006900	S.CER C1608 JB 1H 103K-T	B	79.8/20.3
C1103	4030006900	S.CER C1608 JB 1H 103K-T	B	79.1/21.9
C1104	4030006900	S.CER C1608 JB 1H 103K-T	T	79.7/21.0
C1105	4030006900	S.CER C1608 JB 1H 103K-T	T	79.7/22.2
C1106	4030006900	S.CER C1608 JB 1H 103K-T	T	79.7/23.4
C1107	4030006900	S.CER C1608 JB 1H 103K-T	T	79.7/24.6
C1108	4030006900	S.CER C1608 JB 1H 103K-T	T	79.5/34.2
C1109	4030006900	S.CER C1608 JB 1H 103K-T	T	79.5/33.0
C1110	4030006900	S.CER C1608 JB 1H 103K-T	T	79.5/31.8
C1111	4030006900	S.CER C1608 JB 1H 103K-T	T	79.5/30.6
C1112	4030006900	S.CER C1608 JB 1H 103K-T	T	79.5/29.4
C1113	4030006900	S.CER C1608 JB 1H 103K-T	T	79.5/28.2
C1114	4030006900	S.CER C1608 JB 1H 103K-T	T	79.5/27.0
C1115	4030006900	S.CER C1608 JB 1H 103K-T	T	79.5/25.8
RL201	6330001770	REL SIP-1A-12Y		
RL301	6330001900	REL G6C-2114P-US DC12V		
RL351	6330001900	REL G6C-2114P-US DC12V		
RL501	6330001910	REL G6S-2 DC12V		
RL601	6330001770	REL SIP-1A-12Y		
RL621	6330001860	REL UA2-12NU		
CP31	6910009670	S.CHE HK3-S-T	T	9.3/30.7
J1	6510007020	CON TMP-J01X-V6		
J301	6510007020	CON TMP-J01X-V6		
J351	6510007020	CON TMP-J01X-V6		
J901	6510020081	S.CON 52808-2071(2090)	T	54.8/10.2
J1001	6510022031	S.CON B10B-ZR-SM4-TF(LF)(SN)	T	22.6/5.7
J1101	6510021722	S.CON 30FLT-SM2-TB(LF)(SN)(M)	T	86.6/25.7
J1201	6510018971	S.CON B4B-PH-SM4-TB(LF)(SN)	T	73.5/5.7
J2101	6510007020	CON TMP-J01X-V6		
	7030012280	JUM RD25TOR0	[EUR]	
	7030012280	JUM RD25TOR0	[EUR-01]	
	7030012280	JUM RD25TOR0	[EUR]	
	7030012280	JUM RD25TOR0	[EUR-01]	
W2001	7030012280	JUM RD25TOR0		
W2002	7030012280	JUM RD25TOR0		

[CTRL UNIT]

REF NO.	PARTS NO.	DESCRIPTION	M.	H/V LOCATION
EP281	6910014690	S.BEA MPZ1608S221A-T	B	60.4/56.4
EP282	6910014690	S.BEA MPZ1608S221A-T	B	68.9/80.8
EP701	6910014690	S.BEA MPZ1608S221A-T	T	70.0/31.5
EP901	6910014690	S.BEA MPZ1608S221A-T	T	42.5/14.3
EP902	6910014690	S.BEA MPZ1608S221A-T	T	52.8/4.8
EP903	6910014690	S.BEA MPZ1608S221A-T	T	55.2/4.8
EP904	6910014690	S.BEA MPZ1608S221A-T	T	51.6/4.8
EP905	6910014690	S.BEA MPZ1608S221A-T	T	56.4/4.8
EP906	6910014690	S.BEA MPZ1608S221A-T	T	58.8/4.8
EP907	6910014690	S.BEA MPZ1608S221A-T	T	49.0/15.9
EP1101	6910014690	S.BEA MPZ1608S221A-T	T	86.7/35.1
EP1102	6910014690	S.BEA MPZ1608S221A-T	T	88.0/39.0

M.=Mounted side (T: Mounted on the Top side, B: Mounted on the Bottom side)
S.=Surface mount

[NETWORK UNIT]

REF NO.	PARTS NO.	DESCRIPTION	M.	H/V LOCATION
Q15	1590003680	S.TRA KRC402 RTK/P	T	139.5/62.0
Q25	1590003680	S.TRA KRC402 RTK/P	T	148.2/73.1
Q35	1590003680	S.TRA KRC402 RTK/P	T	144.3/67.4
Q45	1590003680	S.TRA KRC402 RTK/P	T	147.2/67.9
Q55	1590003680	S.TRA KRC402 RTK/P	T	122.1/61.6
Q65	1590003680	S.TRA KRC402 RTK/P	T	126.6/61.6
Q75	1590003680	S.TRA KRC402 RTK/P	T	131.1/61.6
Q85	1590003680	S.TRA KRC402 RTK/P	T	135.6/61.7
Q105	1590003680	S.TRA KRC402 RTK/P	T	113.9/64.7
Q115	1590003680	S.TRA KRC402 RTK/P	T	108.4/64.7
Q125	1590003680	S.TRA KRC402 RTK/P	T	102.9/64.7
Q135	1590003680	S.TRA KRC402 RTK/P	T	97.4/64.7
Q145	1590003680	S.TRA KRC402 RTK/P	T	91.9/64.7
Q155	1590003680	S.TRA KRC402 RTK/P	T	69.5/65.1
Q165	1590003680	S.TRA KRC402 RTK/P	T	58.6/64.8
Q175	1590003680	S.TRA KRC402 RTK/P	T	46.7/69.6
D15	1750001180	S.DIO KDS122 RTK/P	T	138.4/59.5
D25	1750001180	S.DIO KDS122 RTK/P	T	147.5/70.6
D35	1750001180	S.DIO KDS122 RTK/P	T	142.6/65.0
D45	1750001180	S.DIO KDS122 RTK/P	T	146.1/65.0
D55	1750001180	S.DIO KDS122 RTK/P	T	120.3/59.1
D65	1750001180	S.DIO KDS122 RTK/P	T	124.8/59.1
D75	1750001180	S.DIO KDS122 RTK/P	T	129.3/59.1
D85	1750001180	S.DIO KDS122 RTK/P	T	133.8/59.1
D105	1750001180	S.DIO KDS122 RTK/P	T	113.9/60.9
D115	1750001180	S.DIO KDS122 RTK/P	T	108.4/60.9
D125	1750001180	S.DIO KDS122 RTK/P	T	102.9/60.9
D135	1750001180	S.DIO KDS122 RTK/P	T	97.4/60.9
D145	1750001180	S.DIO KDS122 RTK/P	T	91.9/60.9
D155	1750001180	S.DIO KDS122 RTK/P	T	69.5/61.1
D165	1750001180	S.DIO KDS122 RTK/P	T	58.6/60.8
D175	1750001180	S.DIO KDS122 RTK/P	T	46.6/65.8
L55	6180003291	COI BM27-400-6A-LF		
L56	6180003291	COI BM27-400-6A-LF		
L65	6180003291	COI BM27-400-6A-LF		
L66	6180003291	COI BM27-400-6A-LF		
L75	6180003291	COI BM27-400-6A-LF		
L76	6180003291	COI BM27-400-6A-LF		
L85	6180003291	COI BM27-400-6A-LF		
L86	6180003291	COI BM27-400-6A-LF		
L101	6110003600	COI LA-555		
L111	6110003590	COI LA-554		
L121	6110003020	COI LA-489		
L131	6110003030	COI LA-490		
L141	6110003020	COI LA-489		
L151	6110003030	COI LA-490		
L161	6110004030	COI LA-626		
L171	6110004040	COI LA-627		
L181	6110004050	COI LA-628		
L182	6140004310	COI LR-471		
R211	7410000810	S.RES EXB-V8V JPW	T	147.3/81.2
R212	7410000810	S.RES EXB-V8V JPW	T	151.3/81.2
C1	4620000160	VAR KV-150-05 150P		
C11	4010008551	CER DEA1X3F390JC3B-Z		
C21	4010004820	CER DEC1X3J121JC4B (DE1410SL121J)		
C22	4010004810	CER DEC1X3J101JC4B (DE1310SL101J)		
C26	4030006900	S.CER C1608 JB 1H 103K-T	T	149.8/71.3
C31	4010004830	CER DEC1X3J151JC4B (DE1510SL151J)		
C35	4030006900	S.CER C1608 JB 1H 103K-T	T	161.2/80.4
C36	4030006900	S.CER C1608 JB 1H 103K-T	T	144.6/69.3
C41	4010004800	CER DEC1X3J820JC4B (DE1210SL820J)		
C45	4030006900	S.CER C1608 JB 1H 103K-T	T	165.3/80.4
C46	4030006900	S.CER C1608 JB 1H 103K-T	T	150.7/68.0
C51	4010004790	CER DEC1X3J680JC4B (DE1210SL680J)		
C52	4010004790	CER DEC1X3J680JC4B (DE1210SL680J)		
C53	4010004780	CER DEC1X3J560JC4B (DE1010SL560J)		
C55	4030006900	S.CER C1608 JB 1H 103K-T	T	143.7/7.5
C56	4030006900	S.CER C1608 JB 1H 103K-T	T	195.5/50.1
C61	4010004830	CER DEC1X3J151JC4B (DE1510SL151J)		
C66	4030006900	S.CER C1608 JB 1H 103K-T	T	124.7/57.2
C72	4010004810	CER DEC1X3J101JC4B (DE1310SL101J)		
C75	4030006900	S.CER C1608 JB 1H 103K-T	T	149.7/7.5
C76	4030006900	S.CER C1608 JB 1H 103K-T	T	129.2/57.2
C81	4010008551	CER DEA1X3F390JC3B-Z		
C85	4030006900	S.CER C1608 JB 1H 103K-T	T	133.7/57.2
C86	4030006900	S.CER C1608 JB 1H 103K-T	T	161.2/7.5
C91	4620000160	VAR KV-150-05 150P		
C105	4030006900	S.CER C1608 JB 1H 103K-T	T	111.9/61.0
C106	4030006900	S.CER C1608 JB 1H 103K-T	T	114.0/62.8
C115	4030006900	S.CER C1608 JB 1H 103K-T	T	106.4/61.0
C116	4030006900	S.CER C1608 JB 1H 103K-T	T	108.5/62.8
C125	4030006900	S.CER C1608 JB 1H 103K-T	T	100.9/61.0
C126	4030006900	S.CER C1608 JB 1H 103K-T	T	103.0/62.8
C135	4030006900	S.CER C1608 JB 1H 103K-T	T	95.4/61.0
C136	4030006900	S.CER C1608 JB 1H 103K-T	T	97.5/62.8
C145	4030006900	S.CER C1608 JB 1H 103K-T	T	89.9/61.0
C146	4030006900	S.CER C1608 JB 1H 103K-T	T	92.0/62.8
C155	4030006900	S.CER C1608 JB 1H 103K-T	T	68.4/59.1

[NETWORK UNIT]

REF NO.	PARTS NO.	DESCRIPTION	M.	H/V LOCATION
C156	4030006900	S.CER C1608 JB 1H 103K-T	T	69.7/63.1
C165	4030006900	S.CER C1608 JB 1H 103K-T	T	57.5/58.8
C166	4030006900	S.CER C1608 JB 1H 103K-T	T	58.8/62.8
C175	4030006900	S.CER C1608 JB 1H 103K-T	T	45.0/63.9
C176	4030006900	S.CER C1608 JB 1H 103K-T	T	46.6/67.7
C201	4030006900	S.CER C1608 JB 1H 103K-T	T	117.7/54.8
C202	4030006900	S.CER C1608 JB 1H 103K-T	T	137.1/77.2
C203	4030006900	S.CER C1608 JB 1H 103K-T	T	138.3/77.2
C204	4030006900	S.CER C1608 JB 1H 103K-T	T	139.5/77.2
C205	4030006900	S.CER C1608 JB 1H 103K-T	T	140.7/77.1
C206	4030006900	S.CER C1608 JB 1H 103K-T	T	141.9/76.7
C207	4030006900	S.CER C1608 JB 1H 103K-T	T	143.1/76.9
C208	4030006900	S.CER C1608 JB 1H 103K-T	T	144.3/77.2
C209	4030006900	S.CER C1608 JB 1H 103K-T	T	145.5/77.2
C211	4030006900	S.CER C1608 JB 1H 103K-T	T	119.2/56.0
C212	4030006900	S.CER C1608 JB 1H 103K-T	T	146.7/76.9
C213	4030006900	S.CER C1608 JB 1H 103K-T	T	148.0/77.0
C214	4030006900	S.CER C1608 JB 1H 103K-T	T	149.2/77.0
C215	4030006900	S.CER C1608 JB 1H 103K-T	T	150.4/77.2
C216	4030006900	S.CER C1608 JB 1H 103K-T	T	152.3/77.6
C217	4030006900	S.CER C1608 JB 1H 103K-T	T	154.2/78.9
C218	4030006900	S.CER C1608 JB 1H 103K-T	T	154.2/80.1
RL15	6330001610	REL NY-12W-K-IE		
RL25	6330001610	REL NY-12W-K-IE		
RL35	6330001610	REL NY-12W-K-IE		
RL45	6330001610	REL NY-12W-K-IE		
RL55	6330001610	REL NY-12W-K-IE		
RL65	6330001610	REL NY-12W-K-IE		
RL75	6330001610	REL NY-12W-K-IE		
RL85	6330001610	REL NY-12W-K-IE		
RL105	6330001610	REL NY-12W-K-IE		
RL115	6330001610	REL NY-12W-K-IE		
RL125	6330001610	REL NY-12W-K-IE		
RL135	6330001610	REL NY-12W-K-IE		
RL145	6330001610	REL NY-12W-K-IE		
RL155	6330001610	REL NY-12W-K-IE		
RL165	6330001610	REL NY-12W-K-IE		
RL175	6330001610	REL NY-12W-K-IE		
J1	6510007020	CON TMP-J01X-V6		
J91	6510007020	CON TMP-J01X-V6		
J201	6510021722	S.CON 30FLT-SM2-TB(LF)(SN)(M)	T	144.5/85.0
EP201	6910014730	S.BEA MPZ2012S331A-T	T	116.9/57.6
EP211	6910014730	S.BEA MPZ2012S331A-T	T	118.1/60.9

M.=Mounted side (T: Mounted on the Top side, B: Mounted on the Bottom side)
S.=Surface mount

[DISPLAY UNIT]

REF NO.	PARTS NO.	DESCRIPTION	M.	H/V LOCATION
IC111	1130012620	S.IC SN74AHCT1G86DCKR	T	238.8/90.8
IC151	1110000960	S.IC NJM4558M-TE1-#FMZB	T	130.1/77.4
IC152	1110000960	S.IC NJM4558M-TE1-#FMZB	T	130.1/84.2
IC271	1130013470	S.IC CD4071BNSR	T	48.6/19.4
IC351	1130011880	S.IC CD4051BPWR	T	49.4/93.5
IC371	1130011880	S.IC CD4051BPWR	T	49.4/100.0
IC401	1140015710	S.IC M30622F8PGP(SX-3183C-1)	T	58.4/71.4
IC501	1130009121	S.IC S1D15206F00A200	T	175.9/72.2
IC521	1130014400	S.IC T6B66BFG(C)	T	98.3/64.1
IC541	1130014390	S.IC T6B65AFG(C)	T	207.2/57.5
IC561	1130014390	S.IC T6B65AFG(C)	T	141.0/57.5
Q111	1530003900	S.TRA KTC4075 BL-RTK/P	T	235.8/84.7
Q112	1520000651	S.TRA 2SB1201S-TL-E	T	229.5/88.9
Q113	1530003301	S.TRA 2SC3647S-TD-E	T	238.6/71.7
Q114	1530003301	S.TRA 2SC3647S-TD-E	T	227.5/69.2
Q252	1590003680	S.TRA KRC402 RTK/P	T	274.7/24.1
Q253	1590003680	S.TRA KRC402 RTK/P	T	274.7/21.6
Q501	1540000441	S.TRA 2SD1619T-TD-E	T	251.4/7.1
Q502	1530003900	S.TRA KTC4075 BL-RTK/P	T	114.2/38.8
Q503	1590003770	S.TRA KRC302E-RTK/P	T	118.1/39.6
D201	1750001710	S.DIO RB751V-40 TE-17	T	246.7/26.6
D202	1750001180	S.DIO KDS122 RTK/P	T	247.4/80.7
D203	1750001180	S.DIO KDS122 RTK/P	T	247.4/83.2
D204	1750001710	S.DIO RB751V-40 TE-17	T	71.5/81.8
D501	1750001320	S.DIO KDS4148U RTK/P	T	114.6/34.1
X401	6050011810	S.XTA CR-755 SMD-49 15.9744 MHZ <KDS>	T	57.9/55.6
L21	6200002041	S.COI NLV25T-101J	T	258.8/8.6
L22	6200002041	S.COI NLV25T-101J	T	247.7/23.5
L23	6200002041	S.COI NLV25T-101J	T	261.3/8.6
L24	6200009300	S.COI ELJPA 100KF 10U	T	245.0/23.5
L25	6200002041	S.COI NLV25T-101J	T	242.2/23.5
L31	6200002041	S.COI NLV25T-101J	T	266.8/73.5
L32	6200002041	S.COI NLV25T-101J	T	266.8/76.0
L111	6200008631	S.COI CDS4NP-101KCI	T	217.4/82.2
L112	6190001191	S.COI D10F-#A814AY-101K	T	228.7/78.7
R3	7030003360	S.RES ERJ3GEYJ 221 V (220)	T	101.3/97.9
R4	7030003440	S.RES ERJ3GEYJ 102 V (1K)	T	102.6/97.9
R5	7030003440	S.RES ERJ3GEYJ 102 V (1K)	T	103.9/97.9
R6	7030003360	S.RES ERJ3GEYJ 221 V (220)	T	105.2/97.9
R7	7030003360	S.RES ERJ3GEYJ 221 V (220)	T	98.3/97.9
R8	7030003360	S.RES ERJ3GEYJ 221 V (220)	T	99.6/97.9
R21	7030003680	S.RES ERJ3GEYJ 104 V (100K)	T	272.4/61.7
R22	7030003480	S.RES ERJ3GEYJ 222 V (2.2K)	T	271.6/58.4
R23	7030003860	S.RES ERJ3GE JPW V	T	246.8/20.1
R31	7030003360	S.RES ERJ3GEYJ 221 V (220)	T	267.2/71.6
R32	7030003860	S.RES ERJ3GE JPW V	T	272.4/78.9
R51	7030003520	S.RES ERJ3GEYJ 472 V (4.7K)	T	114.3/32.4
R52	7030003620	S.RES ERJ3GEYJ 333 V (33K)	T	114.3/35.7
R53	7030003580	S.RES ERJ3GEYJ 153 V (15K)	T	112.0/38.7
R54	7030003560	S.RES ERJ3GEYJ 103 V (10K)	T	256.1/7.7
R55	7030003340	S.RES ERJ3GEYJ 151 V (150)	T	255.6/5.6
R56	7030003520	S.RES ERJ3GEYJ 472 V (4.7K)	T	116.4/39.5
R112	7030010960	S.RES ERJ1TYJ 120U (12)	T	212.4/82.2
R113	7030003560	S.RES ERJ3GEYJ 103 V (10K)	T	237.3/87.5
R115	7030003360	S.RES ERJ3GEYJ 221 V (220)	T	240.4/85.5
R116	7030003500	S.RES ERJ3GEYJ 332 V (3.3K)	T	239.0/67.3
R117	7030003500	S.RES ERJ3GEYJ 332 V (3.3K)	T	239.0/68.5
R118	7030003640	S.RES ERJ3GEYJ 473 V (47K)	T	241.3/91.7
R141	7030003320	S.RES ERJ3GEYJ 101 V (100)	T	135.1/80.0
R142	7030003320	S.RES ERJ3GEYJ 101 V (100)	T	127.1/73.4
R143	7030003320	S.RES ERJ3GEYJ 101 V (100)	T	133.0/87.6
R144	7030003320	S.RES ERJ3GEYJ 101 V (100)	T	125.9/80.8
R150	7030003630	S.RES ERJ3GEYJ 393 V (39K)	T	130.3/70.6
R151	7030003580	S.RES ERJ3GEYJ 153 V (15K)	T	128.7/70.6
R154	7030003720	S.RES ERJ3GEYJ 224 V (220K)	T	125.2/73.2
R155	7030003720	S.RES ERJ3GEYJ 224 V (220K)	T	134.0/77.2
R156	7030003560	S.RES ERJ3GEYJ 103 V (10K)	T	123.1/84.1
R157	7030003560	S.RES ERJ3GEYJ 103 V (10K)	T	136.4/83.9
R158	7030003570	S.RES ERJ3GEYJ 123 V (12K)	T	123.0/78.9
R159	7030003640	S.RES ERJ3GEYJ 473 V (47K)	T	137.1/75.4
R162	7030003820	S.RES ERJ3GEYJ 155 V (1.5M)	T	125.2/82.8
R163	7030003820	S.RES ERJ3GEYJ 155 V (1.5M)	T	135.1/82.7
R164	7030003840	S.RES ERJ3GEYJ 225 V (2.2M)	T	129.5/73.2
R165	7030003790	S.RES ERJ3GEYJ 824 V (820K)	T	125.2/76.0
R166	7030003840	S.RES ERJ3GEYJ 225 V (2.2M)	T	131.1/73.2
R167	7030003790	S.RES ERJ3GEYJ 824 V (820K)	T	135.2/74.6
R168	7030003820	S.RES ERJ3GEYJ 155 V (1.5M)	T	125.2/78.7
R169	7030003820	S.RES ERJ3GEYJ 155 V (1.5M)	T	135.1/77.3
R170	7030003790	S.RES ERJ3GEYJ 824 V (820K)	T	125.2/85.6
R171	7030003790	S.RES ERJ3GEYJ 824 V (820K)	T	135.1/85.4
R172	7030003650	S.RES ERJ3GEYJ 563 V (56K)	T	128.7/80.8
R173	7030003650	S.RES ERJ3GEYJ 563 V (56K)	T	131.5/80.8
R174	7030003400	S.RES ERJ3GEYJ 471 V (470)	T	123.1/85.9
R175	7030003400	S.RES ERJ3GEYJ 471 V (470)	T	137.1/86.0
R185	7030003560	S.RES ERJ3GEYJ 103 V (10K)	T	37.7/84.0
R186	7030003560	S.RES ERJ3GEYJ 103 V (10K)	T	39.0/81.2
R187	7030003560	S.RES ERJ3GEYJ 103 V (10K)	T	37.7/81.2
R188	7030003560	S.RES ERJ3GEYJ 103 V (10K)	T	39.0/84.0
R190	7030003640	S.RES ERJ3GEYJ 473 V (47K)	T	77.6/59.9
R191	7030003640	S.RES ERJ3GEYJ 473 V (47K)	T	76.3/59.9
R195	7030003560	S.RES ERJ3GEYJ 103 V (10K)	T	250.3/80.1
R196	7030003670	S.RES ERJ3GEYJ 823 V (82K)	T	75.0/59.9
R197	7030003670	S.RES ERJ3GEYJ 823 V (82K)	T	78.9/59.9
R201	7030003440	S.RES ERJ3GEYJ 102 V (1K)	T	250.3/83.2

[DISPLAY UNIT]

REF NO.	PARTS NO.	DESCRIPTION	M.	H/V LOCATION
R202	7030003440	S.RES ERJ3GEYJ 102 V (1K)	T	250.3/81.4
R203	7030004730	S.RES ERJ3GEYF 222 V (2.2K)	T	71.2/77.7
R204	7030003640	S.RES ERJ3GEYJ 473 V (47K)	T	71.2/79.0
R211	7030003440	S.RES ERJ3GEYJ 102 V (1K)	T	250.3/78.3
R212	7030003440	S.RES ERJ3GEYJ 102 V (1K)	T	291.8/89.8
R213	7030003440	S.RES ERJ3GEYJ 102 V (1K)	T	291.8/77.2
R214	7030003440	S.RES ERJ3GEYJ 102 V (1K)	T	291.8/68.6
R215	7030003440	S.RES ERJ3GEYJ 102 V (1K)	T	278.3/69.7
R216	7030003440	S.RES ERJ3GEYJ 102 V (1K)	T	252.1/72.4
R217	7030003440	S.RES ERJ3GEYJ 102 V (1K)	T	213.4/23.2
R218	7030003440	S.RES ERJ3GEYJ 102 V (1K)	T	192.6/23.2
R219	7030003440	S.RES ERJ3GEYJ 102 V (1K)	T	171.8/23.2
R220	7030003440	S.RES ERJ3GEYJ 102 V (1K)	T	151.0/23.2
R221	7030003440	S.RES ERJ3GEYJ 102 V (1K)	T	130.2/23.2
R223	7030003440	S.RES ERJ3GEYJ 102 V (1K)	T	218.1/19.8
R224	7030003440	S.RES ERJ3GEYJ 102 V (1K)	T	71.2/76.4
R225	7030003440	S.RES ERJ3GEYJ 102 V (1K)	T	127.2/14.8
R226	7030003440	S.RES ERJ3GEYJ 102 V (1K)	T	24.4/34.5
R227	7030003440	S.RES ERJ3GEYJ 102 V (1K)	T	10.3/34.5
R228	7030003440	S.RES ERJ3GEYJ 102 V (1K)	T	33.5/69.6
R229	7030003440	S.RES ERJ3GEYJ 102 V (1K)	T	38.3/34.5
R231	7030003440	S.RES ERJ3GEYJ 102 V (1K)	T	47.9/6.3
R232	7030003440	S.RES ERJ3GEYJ 102 V (1K)	T	15.1/69.6
R237	7030003440	S.RES ERJ3GEYJ 102 V (1K)	T	41.1/84.7
R238	7030003440	S.RES ERJ3GEYJ 102 V (1K)	T	41.1/80.4
R239	7030003440	S.RES ERJ3GEYJ 102 V (1K)	T	41.1/81.9
R240	7030003440	S.RES ERJ3GEYJ 102 V (1K)	T	41.1/83.3
R241	7030003440	S.RES ERJ3GEYJ 102 V (1K)	T	38.4/57.9
R242	7030003440	S.RES ERJ3GEYJ 102 V (1K)	T	246.8/96.9
R243	7030003440	S.RES ERJ3GEYJ 102 V (1K)	T	248.2/96.9
R244	7030003440	S.RES ERJ3GEYJ 102 V (1K)	T	37.0/57.9
R251	7030003440	S.RES ERJ3GEYJ 102 V (1K)	T	248.2/50.1
R252	7030003440	S.RES ERJ3GEYJ 102 V (1K)	T	246.9/50.1
R253	7030003440	S.RES ERJ3GEYJ 102 V (1K)	T	249.5/50.1
R254	7030003440	S.RES ERJ3GEYJ 102 V (1K)	T	245.6/50.1
R255	7030003440	S.RES ERJ3GEYJ 102 V (1K)	T	236.2/14.8
R256	7030003440	S.RES ERJ3GEYJ 102 V (1K)	T	221.2/15.5
R257	7030003440	S.RES ERJ3GEYJ 102 V (1K)	T	206.7/15.5
R258	7030003440	S.RES ERJ3GEYJ 102 V (1K)	T	190.1/15.5
R259	7030003440	S.RES ERJ3GEYJ 102 V (1K)	T	131.1/9.4
R260	7030003440	S.RES ERJ3GEYJ 102 V (1K)	T	142.1/19.8
R261	7030003440	S.RES ERJ3GEYJ 102 V (1K)	T	75.0/104.9
R262	7030003440	S.RES ERJ3GEYJ 102 V (1K)	T	67.8/105.6
R263	7030003440	S.RES ERJ3GEYJ 102 V (1K)	T	63.9/104.9
R264	7030003440	S.RES ERJ3GEYJ 102 V (1K)	T	110.0/101.4
R265	7030003440	S.RES ERJ3GEYJ 102 V (1K)	T	49.3/53.1
R266	7030003440	S.RES ERJ3GEYJ 102 V (1K)	T	48.0/53.1
R271	7030003680	S.RES ERJ3GEYJ 104 V (100K)	T	40.4/21.4
R272	7030003680	S.RES ERJ3GEYJ 104 V (100K)	T	40.4/18.6
R273	7030003720	S.RES ERJ3GEYJ 224 V (220K)	T	41.7/41.2
R274	7030003720	S.RES ERJ3GEYJ 224 V (220K)	T	41.7/18.6
R275	7030003680	S.RES ERJ3GEYJ 104 V (100K)	T	42.5/23.5
R276	7030003680	S.RES ERJ3GEYJ 104 V (100K)	T	42.5/16.6
R277	7030003800	S.RES ERJ3GEYJ 105 V (1M)	T	43.2/21.4
R278	7030003800	S.RES ERJ3GEYJ 105 V (1M)	T	43.2/18.6
R287	7030003560	S.RES ERJ3GEYJ 103 V (10K)	T	46.2/40.7
R288	7030003440	S.RES ERJ3GEYJ 102 V (1K)	T	49.4/35.5
R289	7030003440	S.RES ERJ3GEYJ 102 V (1K)	T	49.4/38.1
R290	7030003440	S.RES ERJ3GEYJ 102 V (1K)	T	49.4/39.4
R291	7030003440	S.RES ERJ3GEYJ 102 V (1K)	T	49.4/40.7
R292	7030003440	S.RES ERJ3GEYJ 102 V (1K)	T	49.4/42.0
R293	7030003440	S.RES ERJ3GEYJ 102 V (1K)	T	49.4/44.3
R296	7030003640	S.RES ERJ3GEYJ 473 V (47K)	T	46.2/35.5
R297	7030003680	S.RES ERJ3GEYJ 104 V (100K)	T	44.9/43.4
R298	7030003640	S.RES ERJ3GEYJ 473 V (47K)	T	46.2/36.8
R299	7030003640	S.RES ERJ3GEYJ 473 V (47K)	T	46.2/38.1
R300	7030003640	S.RES ERJ3GEYJ 473 V (47K)	T	46.2/39.4
R301	7030003640	S.RES ERJ3GEYJ 473 V (47K)	T	71.2/66.0
R401	7030003640	S.RES ERJ3GEYJ 473 V (47K)	T	46.1/71.6
R403	7030003640	S.RES ERJ3GEYJ 473 V (47K)	B	66.2/135.9
R404	7030003640	S.RES ERJ3GEYJ 473 V (47K)	T	41.1/46.1
R405	7030003640	S.RES ERJ3GEYJ 473 V (47K)	T	43.2/45.3
R411	7030003640	S.RES ERJ3GEYJ 473 V (47K)	T	51.6/81.6
R412	7030003640	S.RES ERJ3GEYJ 473 V (47K)	T	52.8/81.6
R413	7030003640	S.RES ERJ3GEYJ 473 V (47K)	T	54.0/82.0
R414	7030003640	S.RES ERJ3GEYJ 473 V (47K)	T	54.5/60.8
R415	7030003640	S.RES ERJ3GEYJ 473 V (47K)	T	53.2/60.8
R416	7030003640	S.RES ERJ3GEYJ 473 V (47K)	T	51.9/60.8
R417	7030003800	S.RES ERJ3GEYJ 105 V (1M)	T	57.9/59.0
R418	7030003640	S.RES ERJ3GEYJ 473 V (47K)	T	61.6/60.4
R419	7030003640	S.RES ERJ3GEYJ 473 V (47K)	T	71.2/75.1
R420	7030003640	S.RES ERJ3GEYJ 473 V (47K)	T	71.2/73.8
R421	7030003560	S.RES ERJ3GEYJ 103 V (10K)	T	71.2/72.5
R422	7030003640	S.RES ERJ3GEYJ 473 V (47K)	T	71.2/77.2
R423	7030003640	S.RES ERJ3GEYJ 473 V (47K)	T	71.2/69.9
R424	7030003640</			

[DISPLAY UNIT]

REF NO.	PARTS NO.	DESCRIPTION	M.	H/V LOCATION
R602	7030003520	S.RES ERJ3GEYJ 472 V (4.7K)	T	77.8/116.2
R603	7030003580	S.RES ERJ3GEYJ 153 V (15K)	T	79.0/113.8
R604	7030003540	S.RES ERJ3GEYJ 682 V (6.8K)	T	107.9/100.7
R611	7030003540	S.RES ERJ3GEYJ 682 V (6.8K)	T	77.0/105.6
R612	7030003480	S.RES ERJ3GEYJ 222 V (2.2K)	T	77.0/104.3
R613	7030003520	S.RES ERJ3GEYJ 472 V (4.7K)	T	77.0/103.0
R614	7030003580	S.RES ERJ3GEYJ 153 V (15K)	T	77.0/101.7
R621	7030003540	S.RES ERJ3GEYJ 682 V (6.8K)	B	74.5/137.0
R622	7030003480	S.RES ERJ3GEYJ 222 V (2.2K)	T	67.8/104.3
R623	7030003520	S.RES ERJ3GEYJ 472 V (4.7K)	T	67.8/103.0
R624	7030003580	S.RES ERJ3GEYJ 153 V (15K)	T	67.8/101.7
R631	7030003540	S.RES ERJ3GEYJ 682 V (6.8K)	T	63.9/102.1
R632	7030003480	S.RES ERJ3GEYJ 222 V (2.2K)	T	61.9/102.6
R633	7030003520	S.RES ERJ3GEYJ 472 V (4.7K)	T	61.9/103.9
R634	7030003580	S.RES ERJ3GEYJ 153 V (15K)	T	61.9/105.2
R641	7030003540	S.RES ERJ3GEYJ 682 V (6.8K)	T	51.1/50.4
R642	7030003480	S.RES ERJ3GEYJ 222 V (2.2K)	T	61.5/50.3
R643	7030003520	S.RES ERJ3GEYJ 472 V (4.7K)	T	66.6/51.6
R644	7030003580	S.RES ERJ3GEYJ 153 V (15K)	T	88.4/51.6
R651	7030003540	S.RES ERJ3GEYJ 682 V (6.8K)	T	79.0/110.7
R652	7030003480	S.RES ERJ3GEYJ 222 V (2.2K)	T	79.0/112.0
R653	7030003520	S.RES ERJ3GEYJ 472 V (4.7K)	T	76.0/116.7
R654	7030003580	S.RES ERJ3GEYJ 153 V (15K)	B	86.0/121.1
R701	7030003540	S.RES ERJ3GEYJ 682 V (6.8K)	T	142.8/17.7
R702	7030003480	S.RES ERJ3GEYJ 222 V (2.2K)	T	161.1/19.8
R703	7030003520	S.RES ERJ3GEYJ 472 V (4.7K)	T	180.1/19.8
R704	7030003580	S.RES ERJ3GEYJ 153 V (15K)	T	199.2/19.8
R711	7030003540	S.RES ERJ3GEYJ 682 V (6.8K)	T	131.1/10.7
R712	7030003480	S.RES ERJ3GEYJ 222 V (2.2K)	T	138.2/6.5
R713	7030003520	S.RES ERJ3GEYJ 472 V (4.7K)	T	154.2/6.5
R714	7030003580	S.RES ERJ3GEYJ 153 V (15K)	T	170.1/6.5
R721	7030003520	S.RES ERJ3GEYJ 472 V (4.7K)	T	238.2/15.6
R722	7210003370	VAR R0904N-B10KL-20KQ-R1080 <SKD>		
R723	7030003520	S.RES ERJ3GEYJ 472 V (4.7K)	T	222.5/15.5
R724	7210003370	VAR R0904N-B10KL-20KQ-R1080 <SKD>		
R725	7030003520	S.RES ERJ3GEYJ 472 V (4.7K)	T	208.0/15.5
R726	7210003370	VAR R0904N-B10KL-20KQ-R1080 <SKD>		
R727	7030003520	S.RES ERJ3GEYJ 472 V (4.7K)	T	191.4/15.5
R728	7210003370	VAR R0904N-B10KL-20KQ-R1080 <SKD>		
R741	7030003420	S.RES ERJ3GEYJ 681 V (680)	T	280.2/58.4
R744	7030003390	S.RES ERJ3GEYJ 391 V (390)	T	280.2/29.8
C51	4030006900	S.CER C1608 JB 1E 104K-T	T	254.8/7.7
C52	4030006900	S.CER C1608 JB 1H 103K-T	T	114.3/36.9
C111	4030019560	S.CER GRM21BB31C106KE15L	T	236.7/90.7
C113	4030019560	S.CER GRM21BB31C106KE15L	T	234.9/90.7
C114	4510009770	S.ELE 16 CE 47 FS	T	238.2/79.7
C115	4030018780	S.CER C3225 JB 2J 473K-T	T	234.0/69.4
C116	4030013860	S.CER GRM42D1X3F120JY02L (GHM1038 SL)	T	231.5/41.9
C117	4030011600	S.CER C1608 JB 1E 104K-T	T	240.2/84.3
C141	4030019560	S.CER GRM21BB31C106KE15L	T	137.5/79.6
C142	4030019560	S.CER GRM21BB31C106KE15L	T	126.6/71.0
C143	4030019560	S.CER GRM21BB31C106KE15L	T	136.2/87.6
C144	4030019560	S.CER GRM21BB31C106KE15L	T	122.9/80.8
C151	4030011600	S.CER C1608 JB 1E 104K-T	T	122.9/82.5
C152	4030011600	S.CER C1608 JB 1E 104K-T	T	137.5/81.7
C201	4030006900	S.CER C1608 JB 1H 103K-T	T	71.2/80.3
C271	4030006860	S.CER C1608 JB 1H 102K-T	T	42.5/24.8
C272	4030006860	S.CER C1608 JB 1H 102K-T	T	42.5/15.3
C273	4030011600	S.CER C1608 JB 1E 104K-T	T	54.0/22.4
C281	4030011600	S.CER C1608 JB 1E 104K-T	T	55.3/31.0
C351	4030011600	S.CER C1608 JB 1E 104K-T	T	43.9/91.6
C352	4030011600	S.CER C1608 JB 1E 104K-T	T	43.9/92.9
C353	4030011600	S.CER C1608 JB 1E 104K-T	T	43.9/94.2
C354	4030011600	S.CER C1608 JB 1E 104K-T	T	43.9/95.5
C355	4030011600	S.CER C1608 JB 1E 104K-T	T	55.2/96.8
C356	4030011600	S.CER C1608 JB 1E 104K-T	T	56.9/91.6
C357	4030011600	S.CER C1608 JB 1E 104K-T	T	56.9/92.9
C358	4030011600	S.CER C1608 JB 1E 104K-T	T	56.9/94.2
C359	4030011600	S.CER C1608 JB 1E 104K-T	T	56.9/95.5
C371	4030011600	S.CER C1608 JB 1E 104K-T	T	43.9/97.9
C372	4030011600	S.CER C1608 JB 1E 104K-T	T	43.9/99.2
C373	4030011600	S.CER C1608 JB 1E 104K-T	T	43.9/100.5
C374	4030011600	S.CER C1608 JB 1E 104K-T	T	43.9/101.8
C375	4030011600	S.CER C1608 JB 1E 104K-T	T	55.2/103.3
C376	4030011600	S.CER C1608 JB 1E 104K-T	T	55.2/98.1
C377	4030011600	S.CER C1608 JB 1E 104K-T	T	55.2/99.4
C378	4030011600	S.CER C1608 JB 1E 104K-T	T	55.2/100.7
C379	4030011600	S.CER C1608 JB 1E 104K-T	T	55.2/102.0
C401	4030011600	S.CER C1608 JB 1E 104K-T	T	58.7/61.8
C402	4030007020	S.CER C1608 CH 1H 120J-T	T	56.5/60.3
C403	4030011600	S.CER C1608 JB 1E 104K-T	T	48.5/67.6
C404	4030007020	S.CER C1608 CH 1H 120J-T	T	59.3/60.3
C405	4030011600	S.CER C1608 JB 1E 104K-T	T	59.0/80.9
C406	4030011600	S.CER C1608 JB 1E 104K-T	T	36.3/60.0
C407	4030011600	S.CER C1608 JB 1E 104K-T	T	119.0/99.9
C408	4030011600	S.CER C1608 JB 1E 104K-T	T	118.6/98.7
C409	4030011600	S.CER C1608 JB 1E 104K-T	T	39.2/60.0
C451	4030019560	S.CER GRM21BB31C106KE15L	T	86.8/69.9
C501	4030011600	S.CER C1608 JB 1E 104K-T	T	171.6/61.9
C521	4030011600	S.CER C1608 JB 1E 104K-T	T	96.1/77.6
C522	4030011600	S.CER C1608 JB 1E 104K-T	T	110.1/67.9
C523	4030011600	S.CER C1608 JB 1E 104K-T	T	110.1/69.2
C524	4030011600	S.CER C1608 JB 1E 104K-T	T	110.1/70.5
C525	4030011600	S.CER C1608 JB 1E 104K-T	T	110.1/71.8
C526	4030011600	S.CER C1608 JB 1E 104K-T	T	110.1/73.1
C541	4030011600	S.CER C1608 JB 1E 104K-T	T	220.6/58.0
C561	4030011600	S.CER C1608 JB 1E 104K-T	T	127.6/57.1
C601	4030011600	S.CER C1608 JB 1E 104K-T	T	107.9/98.1

[DISPLAY UNIT]

REF NO.	PARTS NO.	DESCRIPTION	M.	H/V LOCATION
C611	4030011600	S.CER C1608 JB 1E 104K-T	T	75.0/102.1
C621	4030011600	S.CER C1608 JB 1E 104K-T	T	65.7/102.1
C641	4030011600	S.CER C1608 JB 1E 104K-T	T	49.3/50.4
C651	4030011600	S.CER C1608 JB 1E 104K-T	T	48.0/50.4
C701	4030011600	S.CER C1608 JB 1E 104K-T	T	141.3/17.7
C711	4030011600	S.CER C1608 JB 1E 104K-T	T	131.1/8.1
C721	4030006900	S.CER C1608 JB 1H 103K-T	T	239.5/15.6
C722	4030006900	S.CER C1608 JB 1H 103K-T	T	223.8/15.5
C723	4030006900	S.CER C1608 JB 1H 103K-T	T	209.3/15.5
C724	4030006900	S.CER C1608 JB 1H 103K-T	T	192.7/15.5
C1117	4030011600	S.CER C1608 JB 1E 104K-T	T	241.3/89.9
C1221	4030011600	S.CER C1608 JB 1E 104K-T	T	61.9/101.3
J1	6510021561	S.CON 52808-2470 (2490)	T	16.4/5.3
J21	6510019971	S.CON 52808-1071	T	245.4/12.7
J31	6510019971	S.CON 52808-1071	T	272.0/71.3
J51	6510019971	S.CON 52808-1071	T	247.5/41.4
J61	6510027290	S.CON 52808-0671	T	247.5/90.2
J71	6510027290	S.CON 52808-0671	T	36.1/20.8
J81	6510027290	S.CON 52808-0671	T	37.7/51.3
J91	6510027290	S.CON 52808-0671	T	37.7/90.3
J101	6510018971	S.CON B4B-PH-SM4-TB(LF)(SN)	T	76.0/52.9
J111	6510003401	CON B04B-EH-S(LF)(SN)		
J281	6510019971	S.CON 52808-1071	T	53.7/38.9
J451	6510027390	S.CON 40FHY-RSM1-GAN-TF(LF)(SN)	T	202.7/92.7
J452	6510027390	S.CON 40FHY-RSM1-GAN-TF(LF)(SN)	T	149.2/92.7
J453	6510027400	S.CON 50FHY-RSM1-GAN-TF(LF)(SN)	T	203.4/40.8
J454	6510027400	S.CON 50FHY-RSM1-GAN-TF(LF)(SN)	T	175.9/47.8
J455	6510027400	S.CON 50FHY-RSM1-GAN-TF(LF)(SN)	T	148.4/40.8
DS111	5080000421	CFL MBS 3 UA1W 70N ASSY		
DS451	5030003360	LCD TSC2G0379-E <SKD>		
DS741	5040003390	S.LED FR1111C-TR	B	280.2/61.7
DS742	5040002930	S.LED SML-512MW T86	B	280.2/29.8
S601	2260002740	S.SWI LS8J2M-T	B	103.6/103.5
S602	2260002740	S.SWI LS8J2M-T	B	103.6/95.7
S603	2260002740	S.SWI LS8J2M-T	B	103.6/87.8
S604	2260002740	S.SWI LS8J2M-T	B	103.6/80.0
S611	2260002740	S.SWI LS8J2M-T	B	88.2/103.6
S612	2260002740	S.SWI LS8J2M-T	B	88.2/95.7
S613	2260002740	S.SWI LS8J2M-T	B	88.2/87.8
S614	2260002740	S.SWI LS8J2M-T	B	88.2/79.9
S621	2260002740	S.SWI LS8J2M-T	B	72.3/103.6
S622	2260002740	S.SWI LS8J2M-T	B	72.3/95.7
S623	2260002740	S.SWI LS8J2M-T	B	72.3/87.8
S624	2260002740	S.SWI LS8J2M-T	B	72.3/79.9
S631	2260002740	S.SWI LS8J2M-T	B	56.4/103.6
S632	2260002740	S.SWI LS8J2M-T	B	56.4/95.7
S633	2260002740	S.SWI LS8J2M-T	B	56.4/87.8
S634	2260002740	S.SWI LS8J2M-T	B	56.4/79.9
S641	2260002740	S.SWI LS8J2M-T	B	56.4/72.1
S642	2260002740	S.SWI LS8J2M-T	B	72.3/72.1
S643	2260002740	S.SWI LS8J2M-T	B	88.2/72.1
S644	2260002740	S.SWI LS8J2M-T	B	103.6/72.1
S651	2260002740	S.SWI LS8J2M-T	B	56.4/60.8
S652	2260002740	S.SWI LS8J2M-T	B	72.3/64.3
S653	2260002740	S.SWI LS8J2M-T	B	88.2/64.3
S654	2260002740	S.SWI LS8J2M-T	B	103.6/60.8
S661	2260002740	S.SWI LS8J2M-T	B	20.2/32.6
S662	2260002740	S.SWI LS8J2M-T	B	6.2/32.6
S663	2260002740	S.SWI LS8J2M-T	B	29.4/71.6
S664	2260002740	S.SWI LS8J2M-T	B	11.0/71.6
S671	2260002740	S.SWI LS8J2M-T	B	34.2/32.6
S673	2260002740	S.SWI LS8J2M-T	B	44.7/7.4
S681	2260002740	S.SWI LS8J2M-T	B	223.4/18.3
S682	2260002740	S.SWI LS8J2M-T	B	111.2/6.9
S683	2260002740	S.SWI LS8J2M-T	B	128.4/18.3
S691	2260002740	S.SWI LS8J2M-T	B	217.5/25.1
S692	2260002740	S.SWI LS8J2M-T	B	196.7/25.1
S693	2260002740	S.SWI LS8J2M-T	B	175.9/25.1
S694	2260002740	S.SWI LS8J2M-T	B	155.1/25.1
S695	2260002740	S.SWI LS8J2M-T	B	134.3/25.1
S701	2260002740	S.SWI LS8J2M-T	B	147.4/18.3
S702	2260002740	S.SWI LS8J2M-T	B	166.4/18.3
S703	2260002740	S.SWI LS8J2M-T	B	185.4/18.3
S704	2260002740	S.SWI LS8J2M-T	B	204.4/18.3
S711	2260002740	S.SWI LS8J2M-T	B	127.5/7.4
S712	2260002740	S.SWI LS8J2M-T	B	143.5/7.4
S713	2260002740	S.SWI LS8J2M-T	B	159.5/7.4
S714	2260002740	S.SWI LS8J2M-T	B	175.5/7.4
S731	2260002740	S.SWI LS8J2M-T	B	295.0/103.0
S732	2260002740	S.SWI LS8J2M-T	B	295.0/92.7
S733	2260002740	S.SWI LS8J2M-T	B	295.0/80.0
S734	2260002740	S.SWI LS8J2M-T	B	295.0/71.5
S735	2260002740	S.SWI LS8J2M-T	B	274.2/71.6
S736	2260002740	S.SWI LS8J2M-T	B	255.8/71.6
T113	5910001150	S.TRA 6373-T1		

[VR-A UNIT]

REF NO.	PARTS NO.	DESCRIPTION	M.	H/V LOCATION
R1	7210003410	VAR RV-324	T	8.6/8.6
R2	7030003520	S.RES ERJ3GEYJ 472 V (4.7K)	T	8.6/13.2
R3	7030003520	S.RES ERJ3GEYJ 472 V (4.7K)	T	
C2	4030006900	S.CER C1608 JB 1H 103K-T	T	177.6/102.1
C3	4030006900	S.CER C1608 JB 1H 103K-T	T	127.0/107.0
J2	6510027290	S.CON 52808-0671	T	3.4/10.4

[VR-B UNIT]

REF NO.	PARTS NO.	DESCRIPTION	M.	H/V LOCATION
R1	7210002970	VAR RV-314(RK0972210 10KB/10KB)	T	18.1/7.7
R4	7030003520	S.RES ERJ3GEYJ 472 V (4.7K)	T	19.3/7.7
R5	7030003520	S.RES ERJ3GEYJ 472 V (4.7K)	T	
R6	7210002970	VAR RV-314(RK0972210 10KB/10KB)	T	12.5/7.7
R7	7030003520	S.RES ERJ3GEYJ 472 V (4.7K)	T	14.9/7.7
R8	7030003520	S.RES ERJ3GEYJ 472 V (4.7K)	T	
C3	4030006900	S.CER C1608 JB 1H 103K-T	T	20.5/7.7
C4	4030006900	S.CER C1608 JB 1H 103K-T	T	16.9/7.7
C5	4030006900	S.CER C1608 JB 1H 103K-T	T	13.7/7.7
C6	4030006900	S.CER C1608 JB 1H 103K-T	T	11.3/7.7
J2	6510019971	S.CON 52808-1071	T	15.4/3.4

M.=Mounted side (T: Mounted on the Top side, B: Mounted on the Bottom side)
S.=Surface mount

[VR-C UNIT]

REF NO.	PARTS NO.	DESCRIPTION	M.	H/V LOCATION
R1	7210003410	VAR RV-324	T	11.2/8.0
R2	7030003520	S.RES ERJ3GEYJ 472 V (4.7K)	T	10.9/3.0
R3	7030003520	S.RES ERJ3GEYJ 472 V (4.7K)	T	10.9/3.0
C2	4030006900	S.CER C1608 JB 1H 103K-T	T	12.6/8.0
C3	4030006900	S.CER C1608 JB 1H 103K-T	T	12.1/3.0
J1	6510027290	S.CON 52808-0671	T	92.5/102.8

[PBT UNIT]

REF NO.	PARTS NO.	DESCRIPTION	M.	H/V LOCATION
J1	6510027290	S.CON 52808-0671	T	16.4/5.8
S1	2250000410	ENC TP90D96E20-30F-2178-1		

M.=Mounted side (T: Mounted on the Top side, B: Mounted on the Bottom side)
S.=Surface mount

[RIT UNIT]

REF NO.	PARTS NO.	DESCRIPTION	M.	H/V LOCATION
J1	6510027290	S.CON 52808-0671	T	16.4/5.3
S1	2250000650	ENC EVEGC2F2524B		

[JACK UNIT]

REF NO.	PARTS NO.	DESCRIPTION	M.	H/V LOCATION
R1	7030006240	S.RES ERJ12YJ181U (180)	T	30.3/4.9
R2	7030006240	S.RES ERJ12YJ181U (180)	T	34.0/4.9
C1	4030006900	S.CER C1608 JB 1H 103K-T	T	15.0/17.1
C2	4030006900	S.CER C1608 JB 1H 103K-T	T	22.1/10.1
J1	6510020711	S.CON 52793-1070(1090)	T	18.6/13.8
J2	6510027890	CON 01J0370-00		
J102	6510023900	CON LGR4619-7000		
EP1	6910014690	S.BEA MPZ1608S221A-T	T	27.7/6.1
EP2	6910014690	S.BEA MPZ1608S221A-T	T	23.8/3.0
EP3	6910014690	S.BEA MPZ1608S221A-T	T	23.8/1.7
EP4	6910012350	S.BEA MMZ1608Y 102BT	T	15.5/13.4
EP5	6910012350	S.BEA MMZ1608Y 102BT	T	13.3/15.4
EP6	6910012350	S.BEA MMZ1608Y 102BT	T	10.6/16.6
EP101	6910012350	S.BEA MMZ1608Y 102BT	T	6.7/16.6
EP102	6910012350	S.BEA MMZ1608Y 102BT	T	4.1/16.6

M.=Mounted side (T: Mounted on the Top side, B: Mounted on the Bottom side)
S.=Surface mount

[MIC UNIT]

REF NO.	PARTS NO.	DESCRIPTION	M.	H/V LOCATION
C1	4030006900	S.CER C1608 JB 1H 103K-T	T	15.5/16.2
C2	4030006900	S.CER C1608 JB 1H 103K-T	T	13.3/16.6
C3	4030006900	S.CER C1608 JB 1H 103K-T	T	12.0/16.4
C4	4030007130	S.CER C1608 CH 1H 101J-T	T	8.2/3.7
C5	4030006900	S.CER C1608 JB 1H 103K-T	T	17.5/2.5
C6	4030006900	S.CER C1608 JB 1H 103K-T	T	8.2/2.5
C7	4030006900	S.CER C1608 JB 1H 103K-T	T	7.8/11.4
C8	4030007090	S.CER C1608 CH 1H 470J-T	T	15.0/15.6
J1	6510000191	CON FM214-8SS(P)-1		
J2	6510019971	S.CON 52808-1071	T	4.0/10.2
EP2	6910012350	S.BEA MMZ1608Y 102BT	T	18.2/3.7
EP3	6910012350	S.BEA MMZ1608Y 102BT	T	11.7/2.5
EP4	6910012350	S.BEA MMZ1608Y 102BT	T	13.2/16.4
EP5	6910012350	S.BEA MMZ1608Y 102BT	T	21.4/12.1
EP6	6910018930	S.BEA MPZ2012S601A	T	8.0/8.4
EP7	6910018930	S.BEA MPZ2012S601A	T	9.5/13.3
EP9	6910015130	S.BEA MMZ1608D 301BT	T	8.2/4.9
EP10	6910015130	S.BEA MMZ1608D 301BT	T	8.2/6.1
EP11	6910012350	S.BEA MMZ1608Y 102BT	T	16.9/16.4
EP12	6910018930	S.BEA MPZ2012S601A1	T	9.8/16.9

M.=Mounted side (T: Mounted on the Top side, B: Mounted on the Bottom side)
 S.=Surface mount

SECTION 6

MECHANICAL PARTS

[CHASSIS PARTS]

REF NO.	ORDER NO.	DESCRIPTION	QTY.
J1	6510000370	MR-DS-01 <SSC>	1
J2	6510000370	MR-DS-01 <SSC>	1
SP1	2510000761	SM-C77KY0208	1
MF1	2710000630	FBA08T12HC ()	1
W1**	8900019230	OPC-2025 (P1N20L80)	1
W4**	8900019230	OPC-2025 (P1N20L80)	1
W5**	8900015160	OPC-916A (P1N22L120)	1
W6**	8900014070	OPC-1438 (P0.5N40L120)	1
W7**	8900019260	OPC-2028 (P0.5N40L330)	1
W8**	8900019270	OPC-2029 (P1N20L190)	1
W9**	8900017140	OPC-927A (P1N24L100)	1
W10**	8900019290	OPC-2031 (P0.5N30L110)	1
W117**	8970025210	1.5DCOAXIAL250MM C31/C31	1
W119**	8970024401	1.5DCOAXIAL360MM-1 C31/C31	1
W121**	8970024411	1.5DCOAXIAL330MM-1 C31/C31	1
W123**	8970024091	1.5DCOAXIAL210MM-1 C31/C31	1
W125**	8970024291	1.5DCOAXIAL300MM-1 C31/C31	1
W127**	8970025210	1.5DCOAXIAL250MM C31/C31	1
W129**	8970024091	1.5DCOAXIAL210MM-1 C31/C31	1
W131**	8970024730	1.5DCOAXIAL 80MM C31/C31	1
W133**	8970024401	1.5DCOAXIAL360MM-1 C31/C31	1
W135**	8970024201	1.5DCOAXIAL300MM-1 C31/C31	1
W137**	8970024201	1.5DCOAXIAL300MM-1 C31/C31	1
W139**	8970024341	1.5DCOAXIAL190MM-1 C31/C31	1
W141**	8970024082	1.5DCOAXIAL180MM-2 C31/C31	1
W1001**	8600037310	SX3183 P1001*P1002CH	1
W1031**	8600037330	SX3183 P1031*P1032CH	1
W1041**	8600037400	SX3182 P1041*P1042CH	1
W1061**	8600037410	SX3182 P1061*P1062CH	1
W1091**	8600037370	SX3183 P1091*P1092*P1093CH	1
W1101**	8600037380	SX3183 J1101*P1102CH	1
W1121**	8600037390	SX3183 P1121CH	1
W1131**	8900019320	OPC-2034	1
MP1	8010021840	3182 CHASSIS	1
MP2	8110009830	3183 U-COVERASSEMBLY	1
MP3	8110009781	3183 L-COVER-1	1
MP4	8510019470	3183 SHIELD COVER	1
MP6	8930081440	3183 SP S-DAMPER	1
MP7	8810006501	BIND M4 X20 ZK3	4
MP8	8510019490	3183 TUNER PLATE	1
MP9	8510019480	3183 PLL PLATE	1
MP10	8510019510	3183 BPF PLATE	1
MP11	8510019501	3183 BPF CASE-1	1
MP15	8810003361	SETSCREWC M3 X 6 ZC3	2
MP16	8930052450	2355 EARTH PLATE	2
MP18	8810008661	PHBT M3 X 8 NI-ZC3	4
MP19	8930077030	3073 MAIN STAND	2
MP20	8930077040	3073 SUB STAND	2
MP21	8810008661	PHBT M3 X 8 NI-ZC3	2
MP22	8930077020	3073 A-STAND SHEET	2
MP23	8930077490	3073 B-STAND SHEET	2
MP24	8930040590	RUBBER LEG (K)	2
MP25	8930077650	3073 SIDE HANDLE (5)	1
MP26	8810010870	ROUND FLAT M4 X12 ZK3	2
MP27	8930079690	RUBBER STAND (Q)	4
MP28	8820000530	FLANGE BOLT M4 X 8 NI	1
MP29	8850000140	FLAT WASHER M 4 NI BS	2
MP30	8850000430	S-WASHER M 4 NI	1
MP31	8810005771	BIND M3 X 8 ZK3BLACK	12
MP32	8810005771	BIND M3 X 8 ZK3BLACK	6
MP33	8810008661	PHBT M3 X 8 NI-ZC3	22
MP34	8810009651	FLAT BT M3 X 8 NI-ZC3	4
MP35	8810008661	PHBT M3 X 8 NI-ZC3	7
MP36	8810008661	PHBT M3 X 8 NI-ZC3	8
MP37	8810003361	SETSCREWC M3 X 6 ZC3	5
MP38	8810008661	PHBT M3 X 8 NI-ZC3	7
MP39	8810008661	PHBT M3 X 8 NI-ZC3	1
MP40	8930027480	1126 TR-A CLIP Y124	1
MP41	8810008661	PHBT M3 X 8 NI-ZC3	9
MP42	8810008661	PHBT M3 X 8 NI-ZC3	7
MP43	8810008661	PHBT M3 X 8 NI-ZC3	9
MP44	8810008661	PHBT M3 X 8 NI-ZC3	5
MP45	8810005771	BIND M3 X 8 ZK3BLACK	5
MP46	8810008661	PHBT M3 X 8 NI-ZC3	4
MP48	8810008661	PHBT M3 X 8 NI-ZC3	13
MP49	8810007231	SETSCREWH M3 X 8 ZC3	2
MP50	8810007231	SETSCREWH M3 X 8 ZC3	4
MP51	8930075440	3015 RUG SPRING Y1115	2
MP59	8810007231	SETSCREWH M3 X 8 ZC3	2
MP62	8310050190	2355 ANT PLATE	3
MP64	8930080830	THERMAL SHEET (BV)TC300HSV1.4 (5X19.5	1
MP65	8810008661	PHBT M3 X 8 NI-ZC3	4
MP66	8010021630	3183 MAIN CHASSIS	1

[CHASSIS PARTS]

REF NO.	ORDER NO.	DESCRIPTION	QTY.
MP67	8930079060	3073 DC PLATE	1
MP72	8930080990	3183 FAN SPRING Y1196	1
MP73	8930081060	3183 AL SHEET	1
MP74	8930070510	THERMAL SHEET (BF)TC-600HS-1.4 (14.5X	1
MP93	8510019940	3183 BPF SHIELD PLATE	1
MP94	8930043800	DOUBLE SIDE TAPE (S)	1
MP95	8930082150	SPONGE (KZ)	1
MP96	8950003640	CAOTING CLIP CS-2 (UL)	1
MP97	8950003640	CAOTING CLIP CS-2 (UL)	1
MP98	8930082150	SPONGE (KZ)	1
MP99	8930081420	SPONGE (KX)	1
MP100	8930081420	SPONGE (KX)	1
MP101	8930081420	SPONGE (KX)	1
MP102	8930081420	SPONGE (KX)	1
MP103	8930081420	SPONGE (KX)	1
MP104	8930081420	SPONGE (KX)	1
MP105*	8930043020	RUBBER SHEET (AC)	1
MP108**	8930081420	SPONGE (KX)	1
MP110	8930070510	THERMAL SHEET (BF)TC-600HS-1.4 (14.5X	1
MP111	8930070510	THERMAL SHEET (BF)TC-600HS-1.4 (14.5X	1

[MAIN UNIT]

REF NO.	ORDER NO.	DESCRIPTION	QTY.
J3*	6510021561	52808-2470 (2490) TAPING	1
J5*	6510022472	40FLT-SM2-TB (LF) (SN) (M)	1
J6*	6510026180	S12B-PH-SM4-TB (LF) (SN)	1
J7*	6510027710	S5B-ZR-SM4-TF (LF) (SN)	1
J8*	6510022472	40FLT-SM2-TB (LF) (SN) (M)	1
J9*	6510024111	52793-2070 (2090)	1
J10*	6510027500	S11B-PH-SM4-TB (LF) (SN)	1
J11*	6510024111	52793-2070 (2090)	1
J1122*	6510019971	52808-1071	1
J3201	6510018450	TMP-S01X-B1	1
J3203*	6510018301	S2B-ZR-SM4-TF (LF) (SN)	1
J3621	6510018450	TMP-S01X-B1	1
J3671	6510018450	TMP-S01X-B1	1
J3911	6510018450	TMP-S01X-B1	1
MP2001	8510019780	3183 A-MAIN CASE	1
MP2002	8510019790	3183 B-MAIN CASE	1
MP2003	8930081481	INSULATION SHEET (IA)-1	1

[CONNECT UNIT]

REF NO.	ORDER NO.	DESCRIPTION	QTY.
J101*	6510023720	LGY6501-0600C	1
J151*	6510018961	B2B-PH-SM4-TB (LF) (SN)	1
J611*	6510023720	LGY6501-0600C	1
J751*	6510026540	UBB-4R-D14T-4D (LF) (SN)	1
J1001*	6510022472	40FLT-SM2-TB (LF) (SN) (M)	1
J1002*	6510027040	B12B-PH-SM4-TB (LF) (SN)	1
J1003*	6510025760	B5B-ZR-SM4-TF (LF) (SN)	1
J1101*	6450001641	TCS5044-0141177	1
J1301*	6510023900	LGR4619-7000	1
J1401	6450001130	JPJ2042-01-110	1

[PLL UNIT]

REF NO.	ORDER NO.	DESCRIPTION	QTY.
J1*	6510022472	40FLT-SM2-TB (LF) (SN) (M)	1
J81*	6510019991	52808-2271 (2291) TAPING	1
J501*	6510007020	TMP-J01X-V6	1
J571*	6510007020	TMP-J01X-V6	1
J671*	6510007020	TMP-J01X-V6	1
J701*	6510007020	TMP-J01X-V6	1
J851*	6510007020	TMP-J01X-V6	1
J852*	6510007020	TMP-J01X-V6	1
EP151*	6910002161	CASE-BM7H-LF	1
EP354*	6910002161	CASE-BM7H-LF	1
MP291*	8510019980	3183 B-VCO CASE Y1205	1
MP292	8510019990	3183 B-VCO COVER Y1206	1
MP293	8810008490	SETSCREWH M2.6X 8 NI	2
MP351*	8510019710	3182 PLL CASE Y1187	1
MP701*	8510019710	3182 PLL CASE Y1187	1

*: Refer to "BOARD LAYOUTS" for the location.

** : Refer to "GENERAL WIRING" for the connection

Screw abbreviations A, B0, BT: Self-tapping PH: Pan head ZK: Black NI-ZU: Nickel-Zinc SUS: Stainless

[RF-A UNIT]

REF NO.	ORDER NO.	DESCRIPTION	QTY.
J301*	6510020081	52808-2071 (2090)	1
J451*	6510019991	52808-2271 (2291) TAPING	1
J501*	6510007020	TMP-J01X-V6	1
J701*	6510007020	TMP-J01X-V6	1
J741*	6510007020	TMP-J01X-V6	1
J801*	6510007020	TMP-J01X-V6	1
J931*	6510027650	AXN480C330P	1
J951*	6510027660	AXN380C038P	1
J1011*	6510007020	TMP-J01X-V6	1
J1141*	6510007020	TMP-J01X-V6	1
J1301*	6510014961	B2B-ZR-SM4-TF (LF) (SN)	1
EP911*	6910002161	CASE-BM7H-LF	1
EP913*	6910002161	CASE-BM7H-LF	1
MP651*	8510012400	2177 D/A CASE Y454	1
MP911*	8930065741	2590 D-EARTH SPRING-1	1
MP1071*	6910001130	10MSHIELD CASE (P10L-A)	1
MP1101*	8510012400	2177 D/A CASE Y454	1
MP1121*	8510015900	2590 M-2LO CASE Y697	1
MP1201*	8510012400	2177 D/A CASE Y454	1
MP1701*	8510010760	1876 DDS CASE	1
MP1702*	8510010770	1876 DDS COVER	1

[BPF UNIT]

REF NO.	ORDER NO.	DESCRIPTION	QTY.
J141*	6510007020	TMP-J01X-V6	1
J201*	6510007020	TMP-J01X-V6	1
J301*	6510007020	TMP-J01X-V6	1
J302*	6510020081	52808-2071 (2090)	1
MP31*	8930062740	2590 M-SPRING	1

[PA-A UNIT]

REF NO.	ORDER NO.	DESCRIPTION	QTY.
J201*	6510007020	TMP-J01X-V6	1
J401*	6510020081	52808-2071 (2090)	1
J402*	6510020051	B11B-PH-SM4-TB (LF) (SN)	1
J451*	6510014961	B2B-ZR-SM4-TF (LF) (SN)	1
J462*	6510018971	B4B-PH-SM4-TB (LF) (SN)	1
J1201*	6510007020	TMP-J01X-V6	1
F1*	5220000400	FHA010-01F	1
F2*	5210001050	ICP-S0.5TN	1
F3*	5210000940	1205	1
EP1*	6910020710	OT-047 M3	1
EP2*	6910020710	OT-047 M3	1
MP131*	8510020100	3182 DC-DC CASE Y1220	1
MP132*	8930082270	3182 DC-DC PLATE Y1221	1

[CTRL UNIT]

REF NO.	ORDER NO.	DESCRIPTION	QTY.
J1*	6510007020	TMP-J01X-V6	1
J301*	6510007020	TMP-J01X-V6	1
J351*	6510007020	TMP-J01X-V6	1
J901*	6510020081	52808-2071 (2090)	1
J1001*	6510022031	B10B-ZR-SM4-TF (LF) (SN)	1
J1101*	6510021722	30FLT-SM2-TB (LF) (SN) (M)	1
J1201*	6510018971	B4B-PH-SM4-TB (LF) (SN)	1
J2101*	6510007020	TMP-J01X-V6	1
W2001*	7030012280	RD25TOR0	1
W2002*	7030012280	RD25TOR0	1
MP401*	8930065741	2590 D-EARTH SPRING-1	1
MP601*	8510002020	MIXSHIELD CASE SX155	1
MP701*	8510018851	2355 A-SHIELD CASE-1 Y1086A	1
MP702*	8510002280	VCOSHIELD (A) FX 15	1

[NETWORK UNIT]

REF NO.	ORDER NO.	DESCRIPTION	QTY.
J1	6510007020	TMP-J01X-V6	1
J91	6510007020	TMP-J01X-V6	1
J201*	6510021722	30FLT-SM2-TB (LF) (SN) (M)	1
MF1	2710000800	MP24ZA (STEPPING MOTOR)	1
MF2	2710000800	MP24ZA (STEPPING MOTOR)	1
MP1	8930041091	1876 A-ANGLE-1	1
MP2	8810008661	PHBT M3 X 8 NI-ZC3	1
MP3	8810009061	FLAT M3 X 6 ZK3	4
MP4	8930041111	1876 B-ANGLE-1	1
MP5	8810009061	FLAT M3 X 6 ZK3	2
MP6	8820000881	1528 SCREW-1	4
MP7	8930030112	1414 PLATE-2	2
MP8	8950003200	UJ6-5 (UNIVERSAL COUPLING)	2
MP9*	8930051580	2178 TUNER PLATE Y503	1

[FRONT UNIT]

REF NO.	ORDER NO.	DESCRIPTION	QTY.
W1	8900019300	OPC-2032 (P1N6L50)	1
W2	8900018000	OPC-1344A (P1N10L70)	1
W3	8900018000	OPC-1344A (P1N10L70)	1
W4	8900018000	OPC-1344A (P1N10L70)	1
W5	8900019300	OPC-2032 (P1N6L50)	1
W6	8900019300	OPC-2032 (P1N6L50)	1
W7	8900019300	OPC-2032 (P1N6L50)	1
EP1	0880002940	EX-2500 #04 SENSOR	1
EP2	6910015650	S-G2218-3#01 (MOUNT PLATE) 0	1
EP3	6910015650	S-G2218-3#01 (MOUNT PLATE) 0	1
MP1	8210026220	3183 FRONT PANEL (A)ASSEMBLY	1
MP2	8010021650	3183 SUB CHASSISASSEMBLY	1
MP4	8310076250	3183 WINDOW PLATE (A)	1
MP5	8930080710	3183 KEYBOARD (A) (SHJ)	1
MP6	8610014220	KNOB K-295 (A)	1
MP7	8610014050	KNOB K-294	1
MP9	8610014090	KNOB K-293	1
MP10	8610014020	KNOB K-290	1
MP11	8610014200	KNOB K-291 (A)	1
MP12	8610014210	KNOB K-292 (A)	1
MP13	8610014110	KNOB N-379 (A)	1
MP14	8610014230	KNOB K-297 (A)	1
MP15	8610014240	KNOB K-296 (A)	1
MP16	8610014100	KNOB N-378 (A)	4
MP18	8610013922	KNOB N-268ASSEMBLY (A)-2	1
MP20	8930076900	3073 D-RUBBER (TOP)	1
MP27	8930076910	3073 BRAKE BUTTON	1
MP28	8930077360	3073 BRAKE PAD	2
MP29	8610011830	KNOBK301	1
MP30	8610013290	KNOB N-361	4
MP31	8610014140	KNOB N-380ASSEMBLY (A)	1
MP32	8810008761	PHBT M2 X 8 NI-ZC3	17
MP34	8810008661	PHBT M3 X 8 NI-ZC3	10
MP35	8930081070	3183 WINDOW SHEET	1
MP37	8930074940	SPONGE (JY)	1
MP38	8930082280	SPONGE (LB)	1
MP39	8930082260	SPONGE (LA)	1
MP40	8930082260	SPONGE (LA)	1
MP41	8930082320	SPONGE (LC)	1
MP42	8930082320	SPONGE (LC)	1

*: Refer to "BOARD LAYOUTS" for the location.

** : Refer to "GENERAL WIRING" for the connection

Screw abbreviations A, B0, BT: Self-tapping PH: Pan head ZK: Black NI-ZU: Nickel-Zinc SUS: Stainless

[DISPLAY UNIT]

REF NO.	ORDER NO.	DESCRIPTION	QTY.
R722	7210003370	R0904N-B10KL-20KQ-R1080<SKD>	1
R724	7210003370	R0904N-B10KL-20KQ-R1080<SKD>	1
R726	7210003370	R0904N-B10KL-20KQ-R1080<SKD>	1
R728	7210003370	R0904N-B10KL-20KQ-R1080<SKD>	1
J1*	6510021561	52808-2470 (2490) TAPING	1
J21*	6510019971	52808-1071	1
J31*	6510019971	52808-1071	1
J51*	6510019971	52808-1071	1
J61*	6510027290	52808-0671	1
J71*	6510027290	52808-0671	1
J81*	6510027290	52808-0671	1
J91*	6510027290	52808-0671	1
J101*	6510018971	B4B-PH-SM4-TB (LF) (SN)	1
J111*	6510003401	B04B-EH-S (LF) (SN)	1
J281*	6510019971	52808-1071	1
J451*	6510027390	40FHY-RSM1-GAN-TF (LF) (SN)	1
J452*	6510027390	40FHY-RSM1-GAN-TF (LF) (SN)	1
J453*	6510027400	50FHY-RSM1-GAN-TF (LF) (SN)	1
J454*	6510027400	50FHY-RSM1-GAN-TF (LF) (SN)	1
J455*	6510027400	50FHY-RSM1-GAN-TF (LF) (SN)	1
DS111	5080000421	MBS 3 UA1W 70N ASSY	1
DS451	5030003360	TSC2G0379-E <SKD>	1
S601*	2260002740	LS8J2M-T	1
S602*	2260002740	LS8J2M-T	1
S603*	2260002740	LS8J2M-T	1
S604*	2260002740	LS8J2M-T	1
S611*	2260002740	LS8J2M-T	1
S612*	2260002740	LS8J2M-T	1
S613*	2260002740	LS8J2M-T	1
S614*	2260002740	LS8J2M-T	1
S621*	2260002740	LS8J2M-T	1
S622*	2260002740	LS8J2M-T	1
S623*	2260002740	LS8J2M-T	1
S624*	2260002740	LS8J2M-T	1
S631*	2260002740	LS8J2M-T	1
S632*	2260002740	LS8J2M-T	1
S633*	2260002740	LS8J2M-T	1
S634*	2260002740	LS8J2M-T	1
S641*	2260002740	LS8J2M-T	1
S642*	2260002740	LS8J2M-T	1
S643*	2260002740	LS8J2M-T	1
S644*	2260002740	LS8J2M-T	1
S651*	2260002740	LS8J2M-T	1
S652*	2260002740	LS8J2M-T	1
S653*	2260002740	LS8J2M-T	1
S654*	2260002740	LS8J2M-T	1
S661*	2260002740	LS8J2M-T	1
S662*	2260002740	LS8J2M-T	1
S663*	2260002740	LS8J2M-T	1
S664*	2260002740	LS8J2M-T	1
S671*	2260002740	LS8J2M-T	1
S673*	2260002740	LS8J2M-T	1
S681*	2260002740	LS8J2M-T	1
S682*	2260002740	LS8J2M-T	1
S683*	2260002740	LS8J2M-T	1
S691*	2260002740	LS8J2M-T	1
S692*	2260002740	LS8J2M-T	1
S693*	2260002740	LS8J2M-T	1
S694*	2260002740	LS8J2M-T	1
S695*	2260002740	LS8J2M-T	1
S701*	2260002740	LS8J2M-T	1
S702*	2260002740	LS8J2M-T	1
S703*	2260002740	LS8J2M-T	1
S704*	2260002740	LS8J2M-T	1
S711*	2260002740	LS8J2M-T	1
S712*	2260002740	LS8J2M-T	1
S713*	2260002740	LS8J2M-T	1
S714*	2260002740	LS8J2M-T	1
S731*	2260002740	LS8J2M-T	1
S732*	2260002740	LS8J2M-T	1
S733*	2260002740	LS8J2M-T	1
S734*	2260002740	LS8J2M-T	1
S735*	2260002740	LS8J2M-T	1
S736*	2260002740	LS8J2M-T	1
T113*	5910001150	6373-T170 (CEPH145B)	1
MP111*	8510019770	3183 CFL CASE	1
MP112*	8930081100	THERMAL SHEET (BX)TC1000HS1.4	1
MP451	8930079340	3183 LCD HOLDER	1
MP452	8930079360	3183 LCD SPONGE	1
MP453	8210025710	3183 REFLECTOR	1
MP454	8930079370	3183 WHITE SHEET	1
MP455	8930079730	3183 LCD FILTER	1
MP456	8930074720	SPONGE (JX)	4

[VR-A UNIT]

REF NO.	ORDER NO.	DESCRIPTION	QTY.
J2*	6510027290	52808-0671	1

[VR-B UNIT]

REF NO.	ORDER NO.	DESCRIPTION	QTY.
J2*	6510019971	52808-1071	1

[VR-C UNIT]

REF NO.	ORDER NO.	DESCRIPTION	QTY.
J1*	6510027290	52808-0671	1

[PBT UNIT]

REF NO.	ORDER NO.	DESCRIPTION	QTY.
J1*	6510027290	52808-0671	1
S1	2250000410	TP90D96E20-30F-2178-1	1

[RIT UNIT]

REF NO.	ORDER NO.	DESCRIPTION	QTY.
J1*	6510027290	52808-0671	1
S1	2250000650	EVEGEC2F2524B	1

[JACK UNIT]

REF NO.	ORDER NO.	DESCRIPTION	QTY.
J1*	6510020711	52793-1070 (1090)	1
J2*	6510027890	01J0370-00	1
J102*	6510023900	LGR4619-7000	1

[MIC UNIT]

REF NO.	ORDER NO.	DESCRIPTION	QTY.
J1	6510000191	FM214-8SS (P)-1	1
J2*	6510019971	52808-1071	1

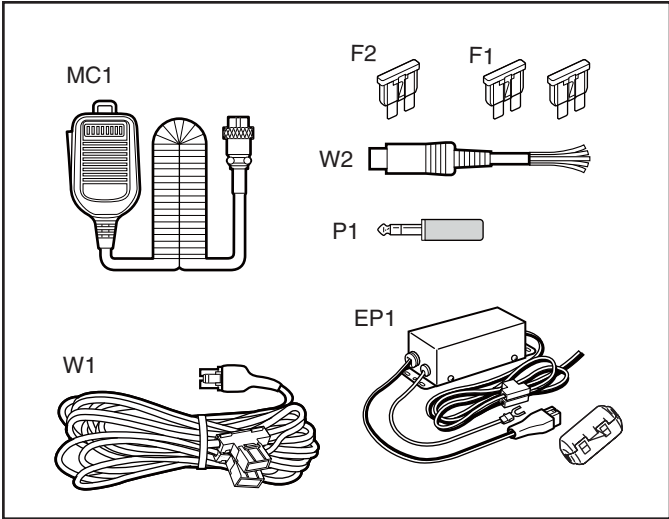
*: Refer to "BOARD LAYOUTS" for the location.

** : Refer to "GENERAL WIRING" for the connection

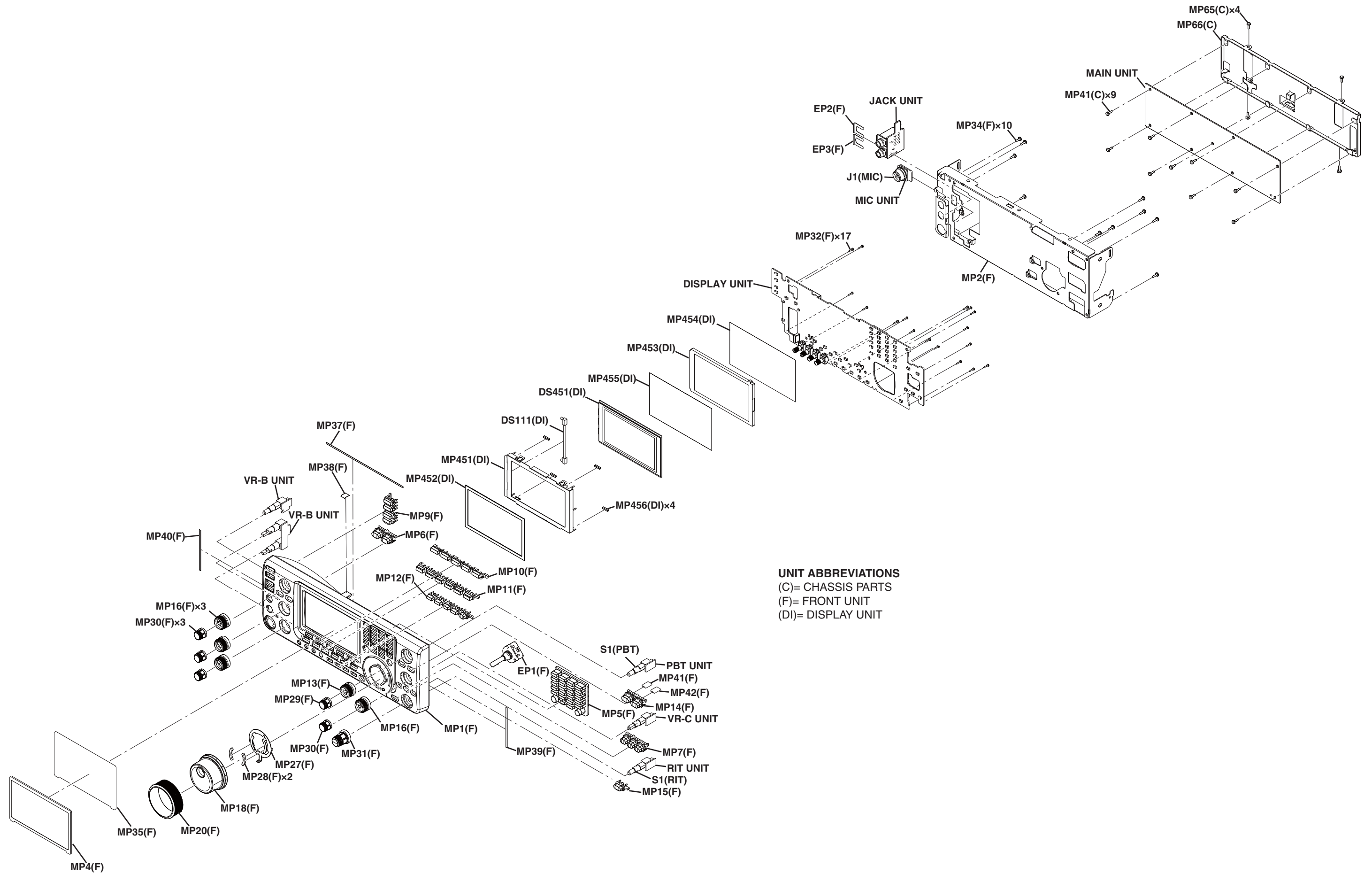
Screw abbreviations A, B0, BT: Self-tapping PH: Pan head ZK: Black NI-ZU: Nickel-Zinc SUS: Stainless

[ACCESSORIES]

REF NO.	ORDER NO.	DESCRIPTION	QTY.
P1	5610000410	AP-319	1
F1	5210000840	FUSE ATC-30	2
F2	5210000940	FUSE 1205	1
MC1	(Optional)	HM-36	1
W1	8900013980	OPC-1457	[USA] 1
	8900013980	OPC-1457	[TPE] 1
	8900013980	OPC-1457	[KOR] 1
	8900013980	OPC-1457	[CHN] 1
	8900013980	OPC-1457	[EXP] 1
W2	8900006110	OPC-596	1
EP1	0880003060	EX-1874 #03 OPC-2095	[EUR] 1
	0880003060	EX-1874 #03 OPC-2095	[EUR-01] 1
	0880003060	EX-1874 #03 OPC-2095	[ITR] 1
	0880003060	EX-1874 #03 OPC-2095	[ESP] 1
	0880003060	EX-1874 #03 OPC-2095	[FRA] 1

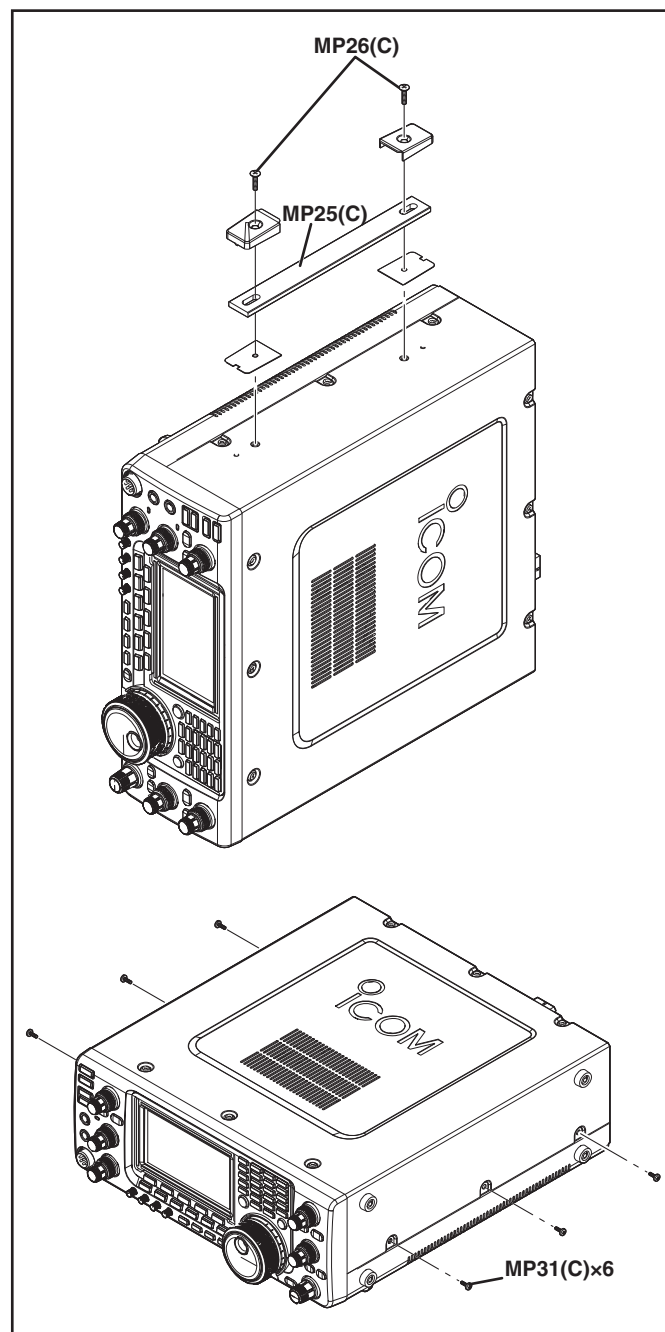
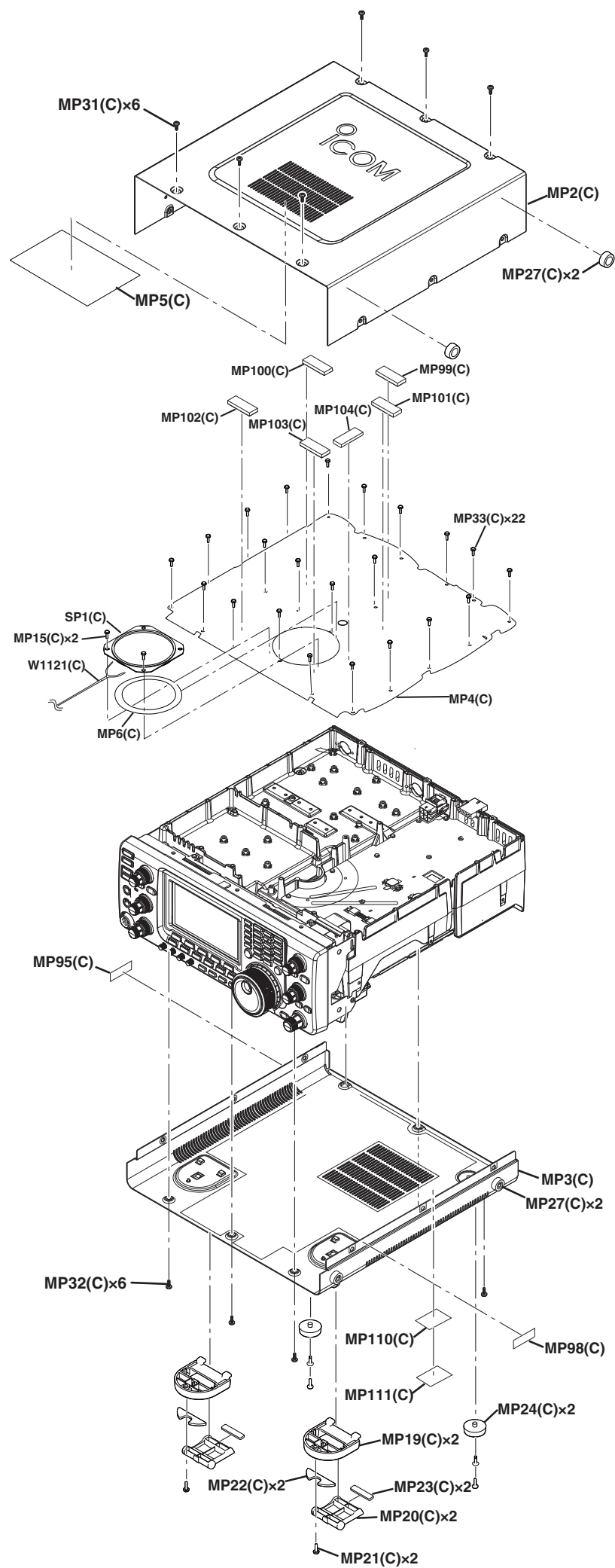


• FRONT UNIT



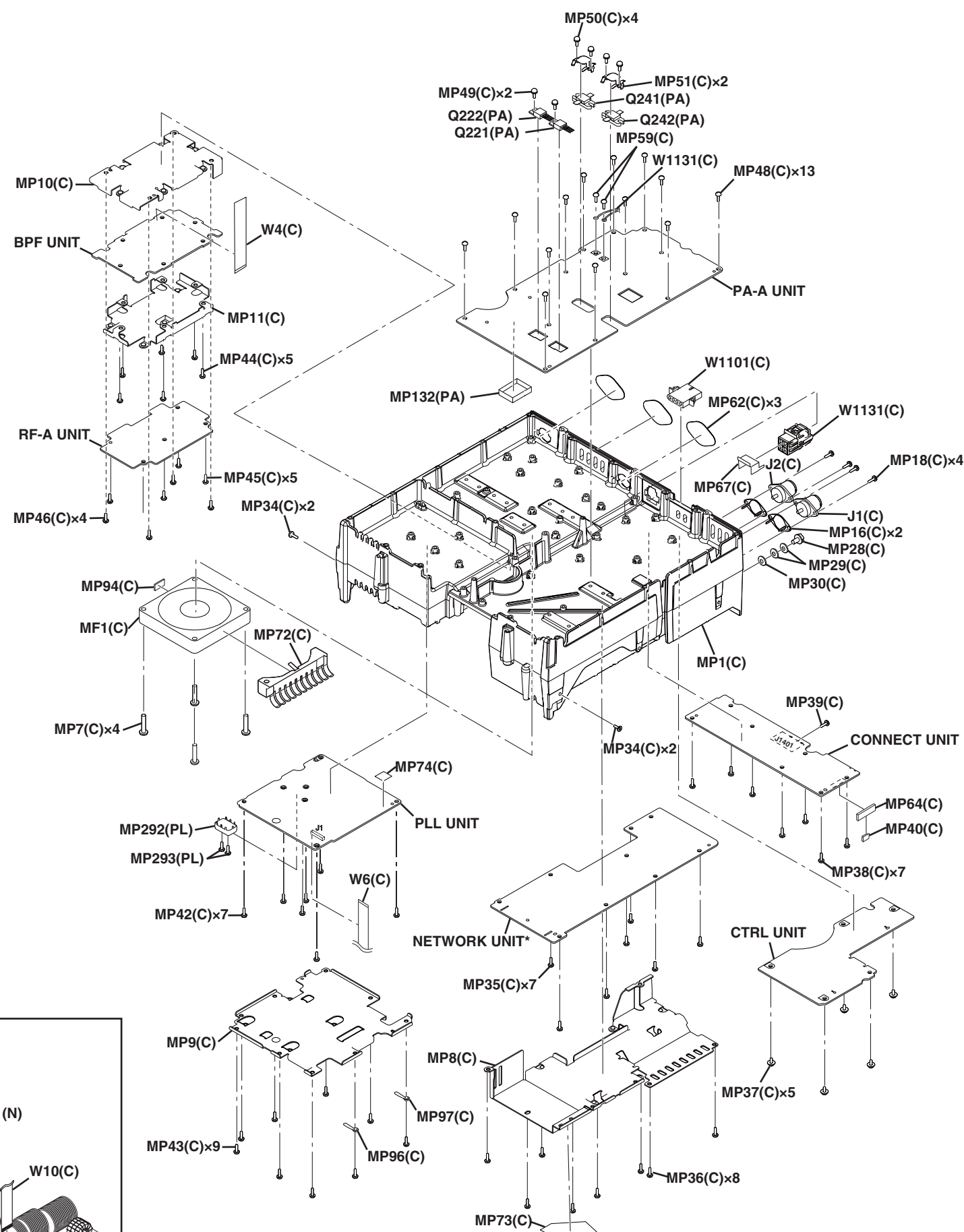
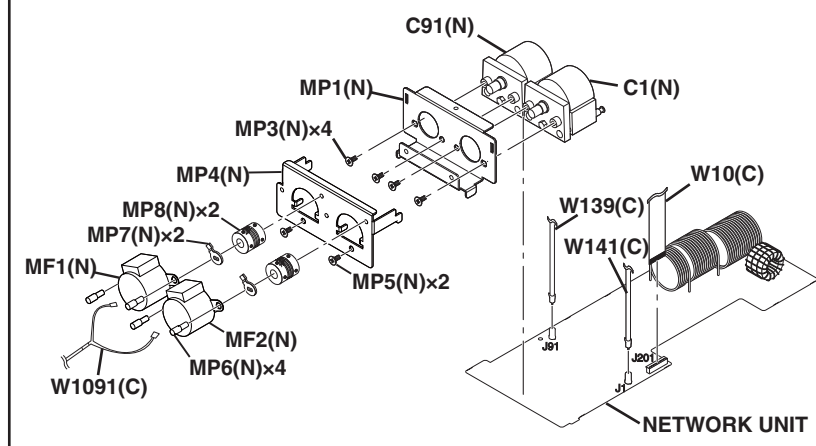
UNIT ABBREVIATIONS
 (C)= CHASSIS PARTS
 (F)= FRONT UNIT
 (DI)= DISPLAY UNIT

• CHASSIS

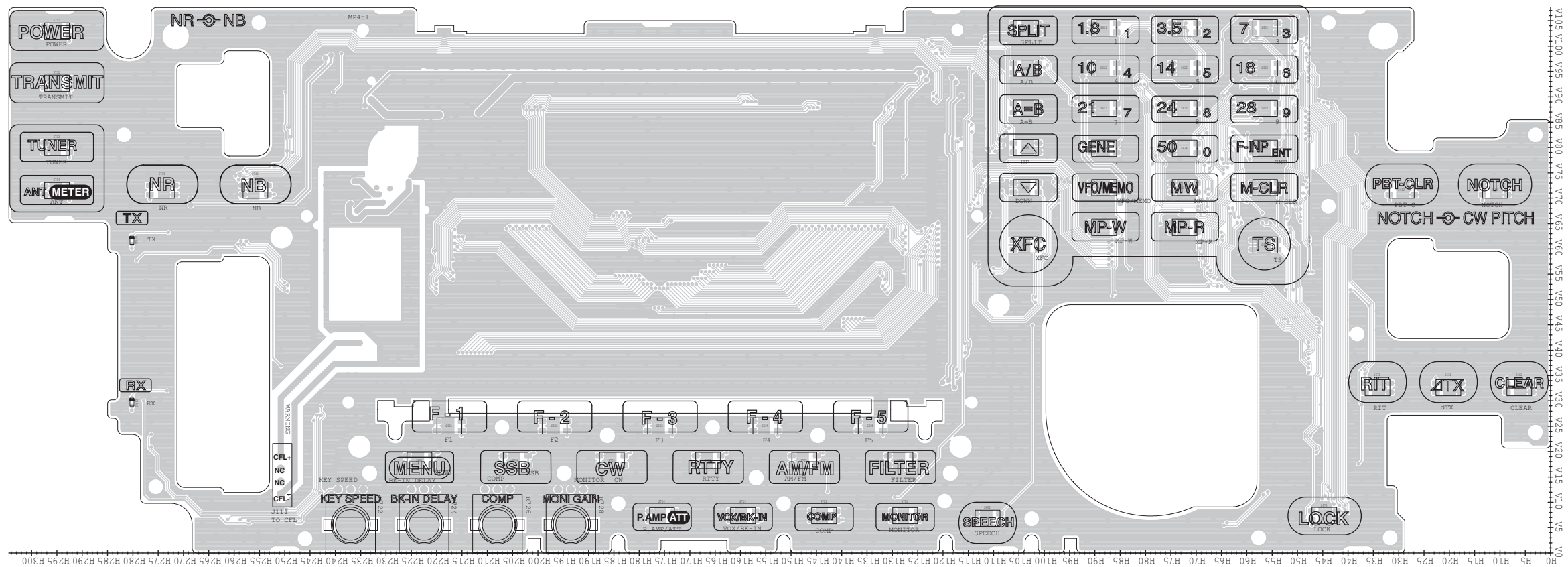


UNIT ABBREVIATIONS
 (C)= CHASSIS PARTS
 (PL)= PLL UNIT
 (PA)= PA-A UNIT
 (N)= NETWORK UNIT

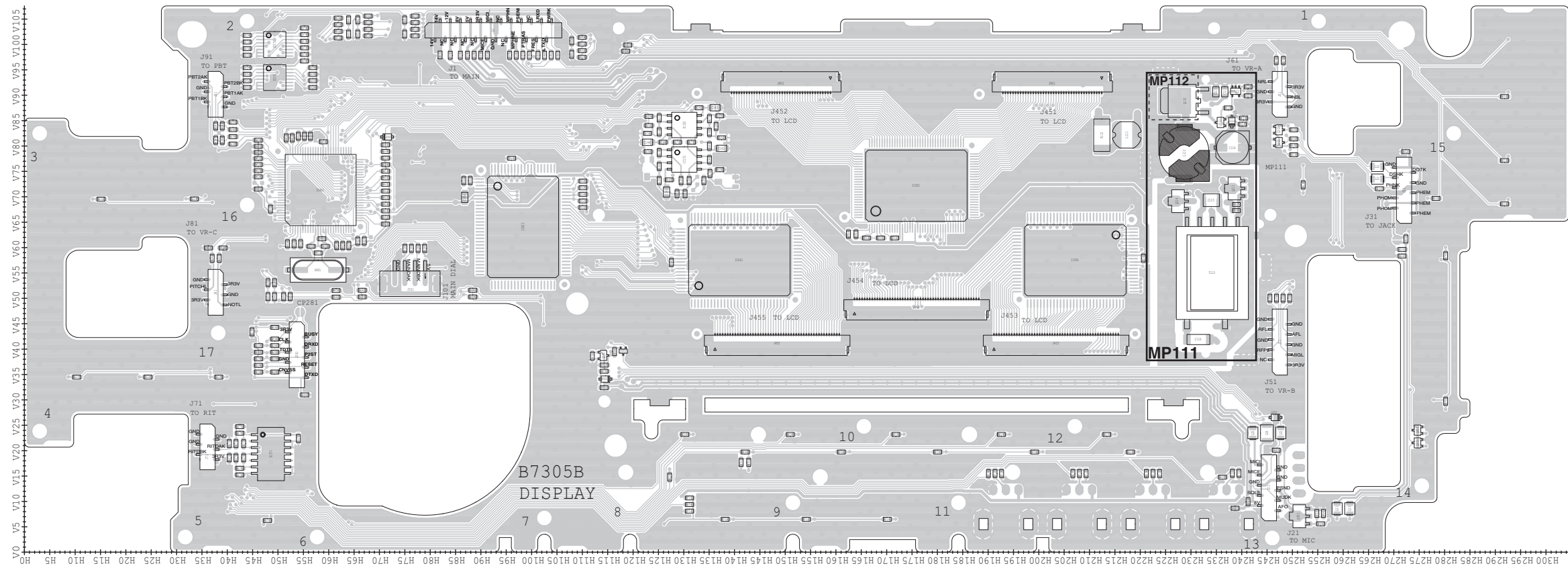
***NETWORK UNIT (TOP VIEW)**



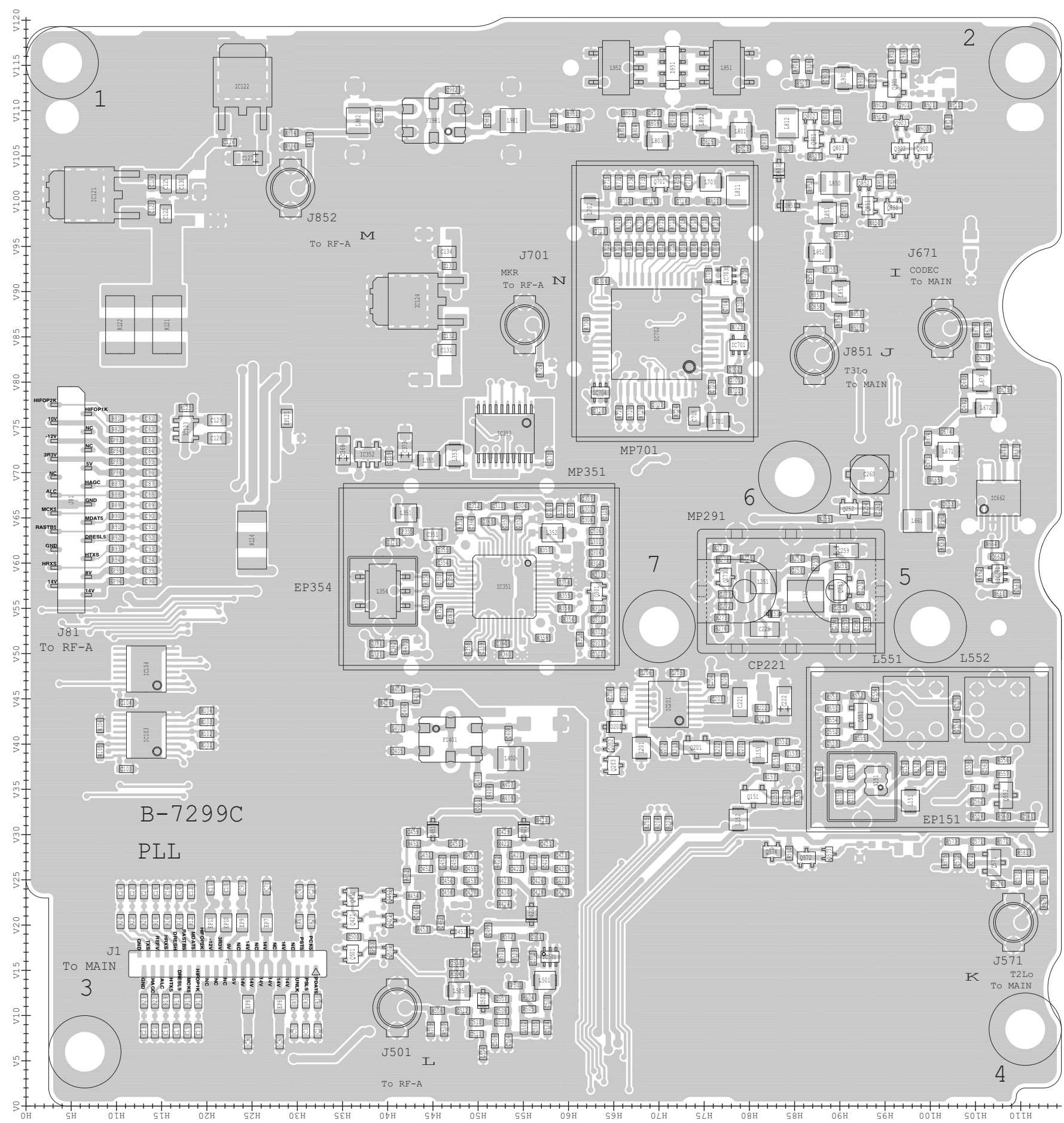
• DISPLAY BOARD
(TOP VIEW)



• DISPLAY BOARD
(BOTTOM VIEW)

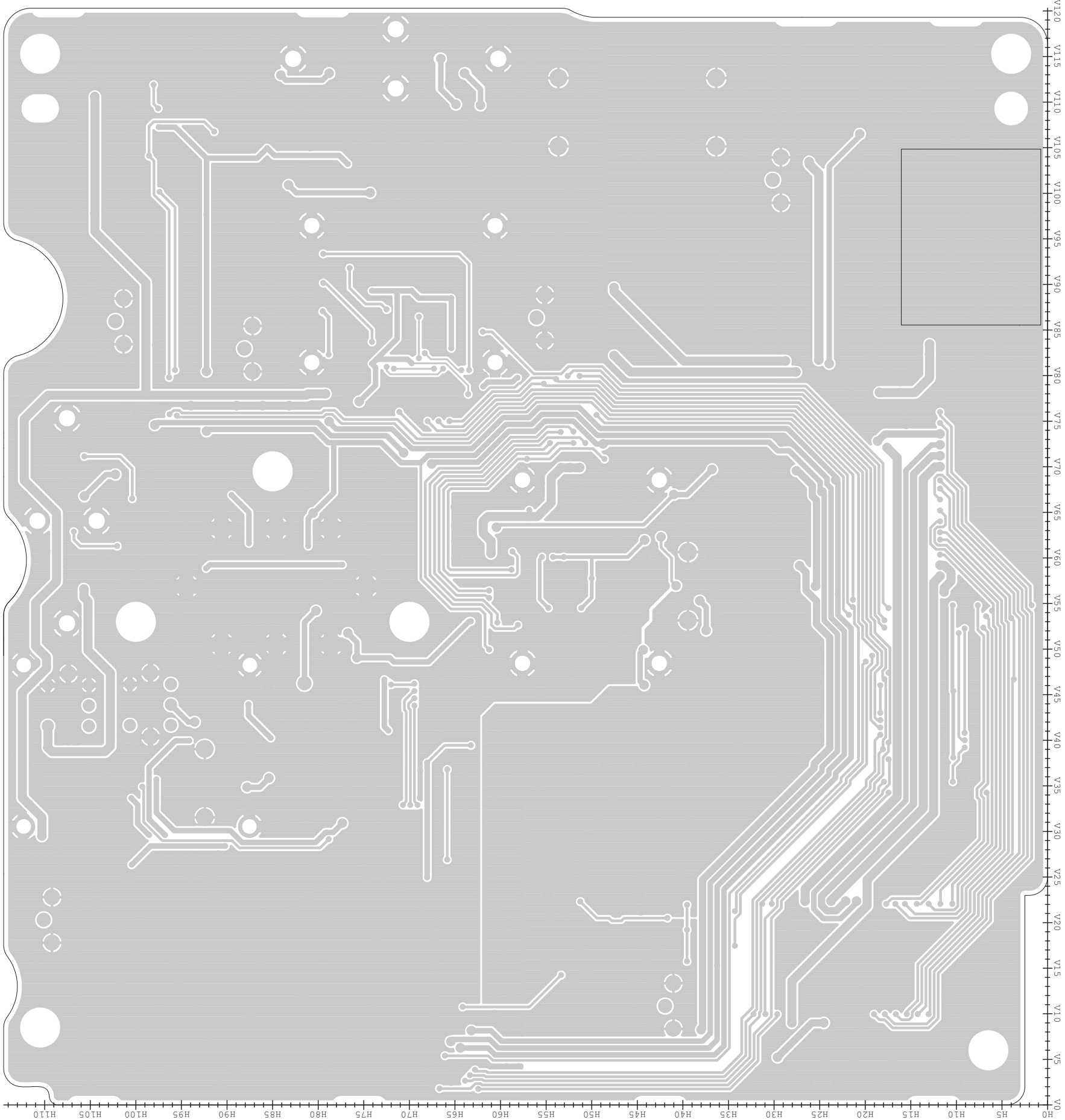


• PLL UNIT (TOP VIEW)

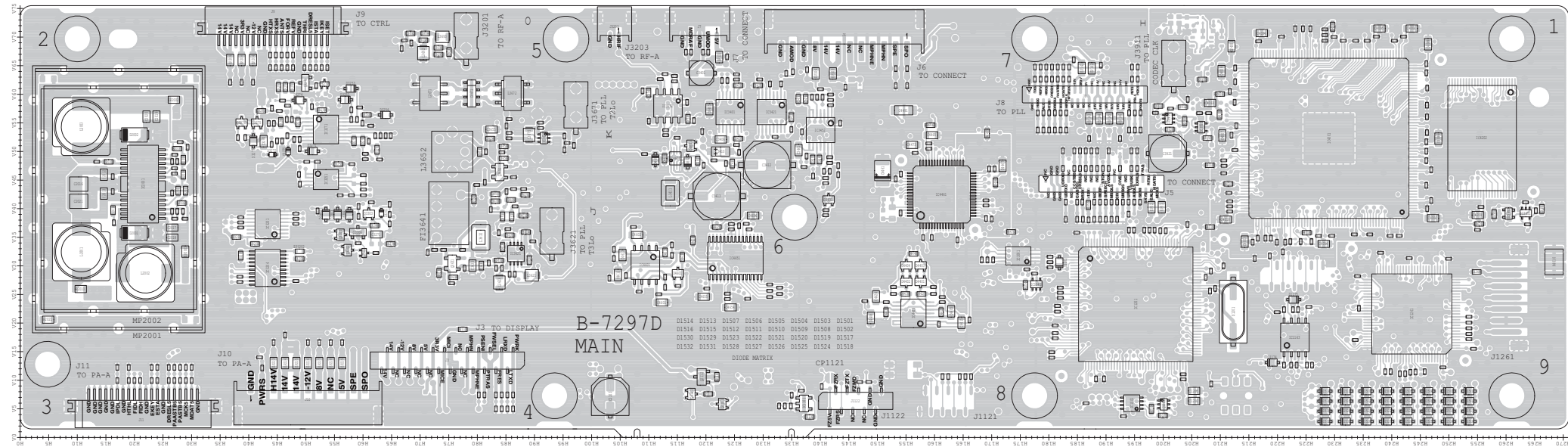


The combination of this page and next page shows the top side and bottom side of actual P.C. board.

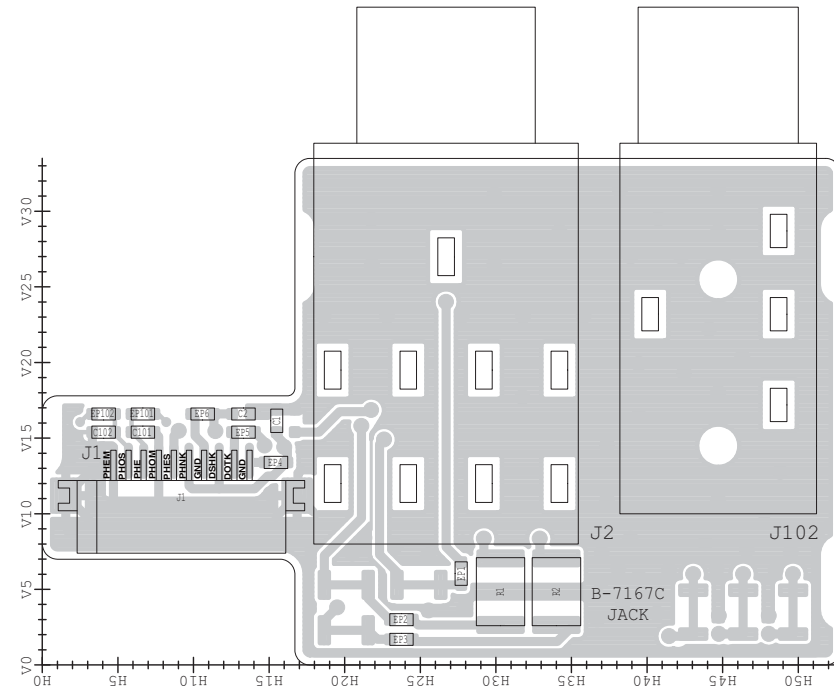
• PLL UNIT
(BOTTOM VIEW)



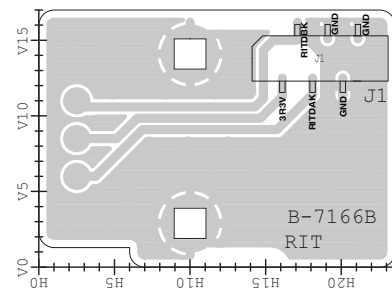
• MAIN UNIT
(TOP VIEW)



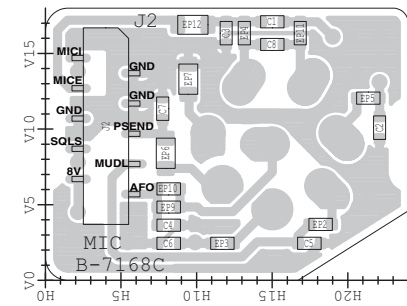
• JACK UNIT
(TOP VIEW)



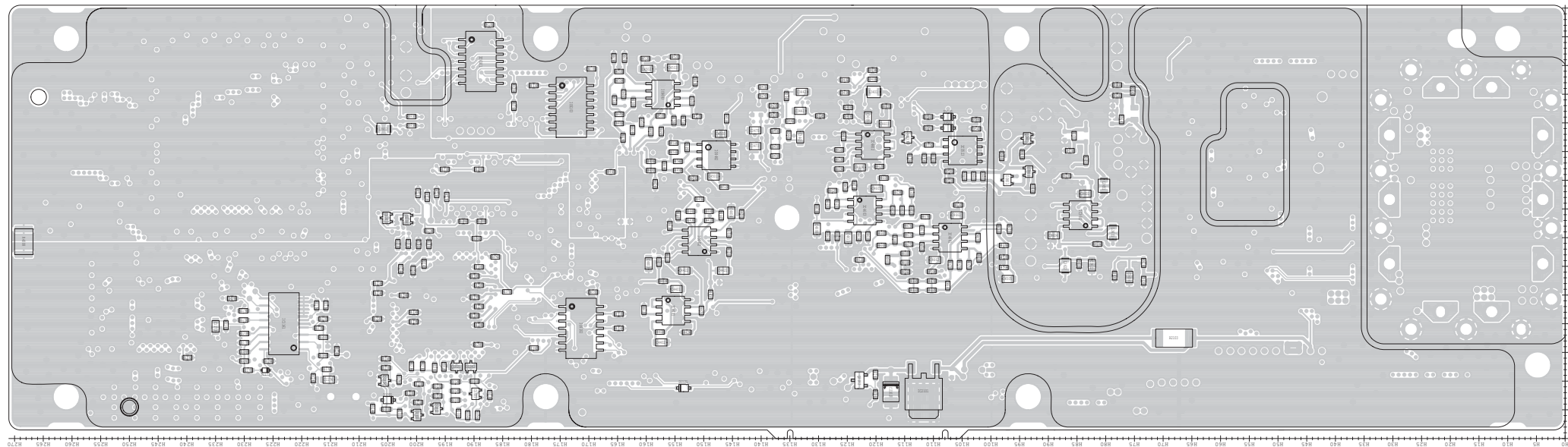
• RIT UNIT
(TOP VIEW)



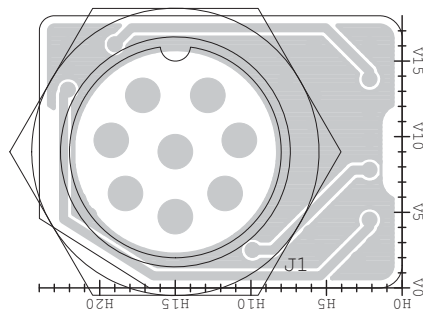
• MIC UNIT
(TOP VIEW)



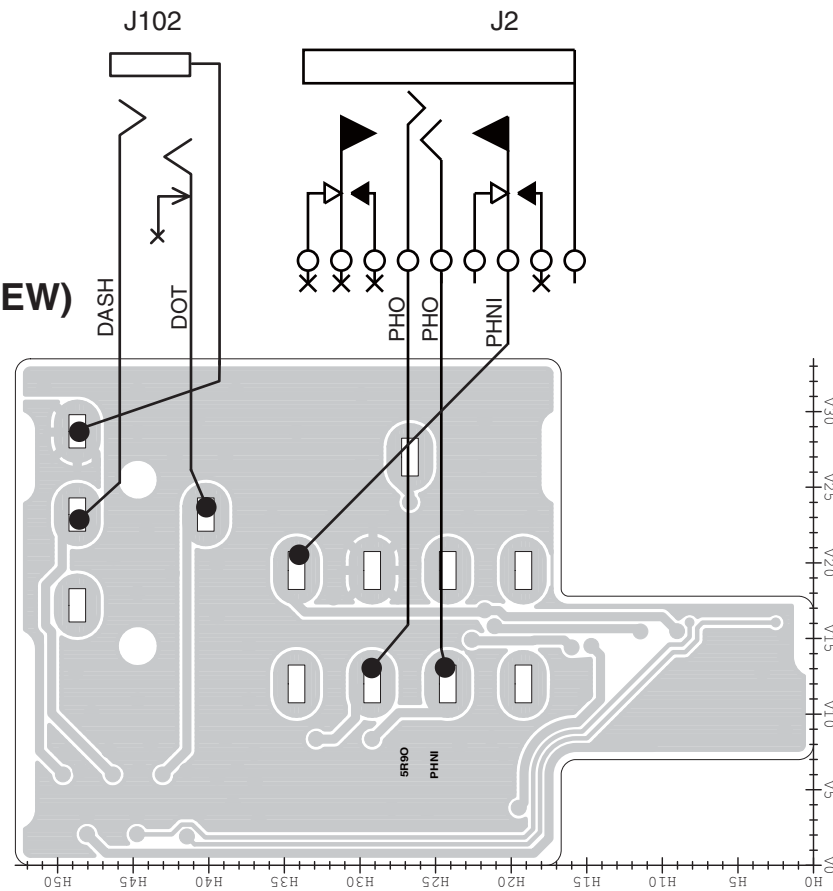
• MAIN UNIT
(BOTTOM VIEW)



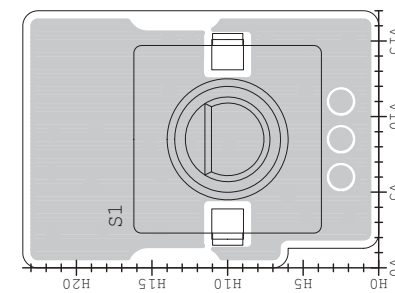
• MIC UNIT
(BOTTOM VIEW)



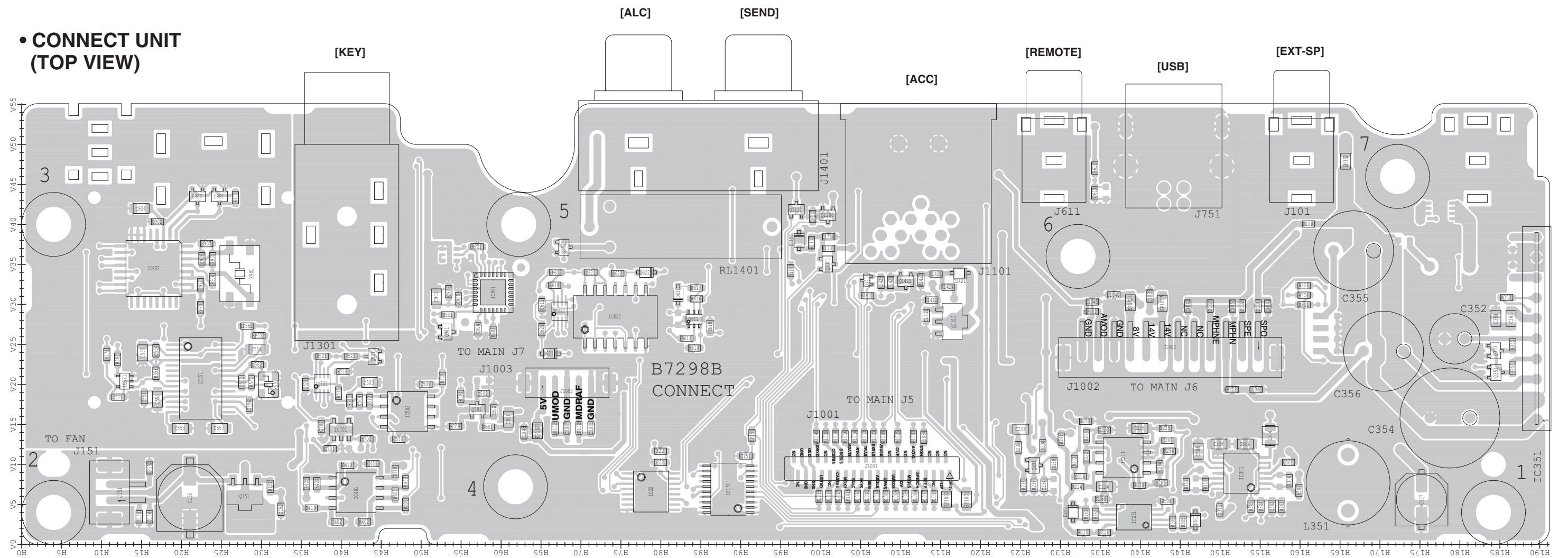
• JACK UNIT
(BOTTOM VIEW)

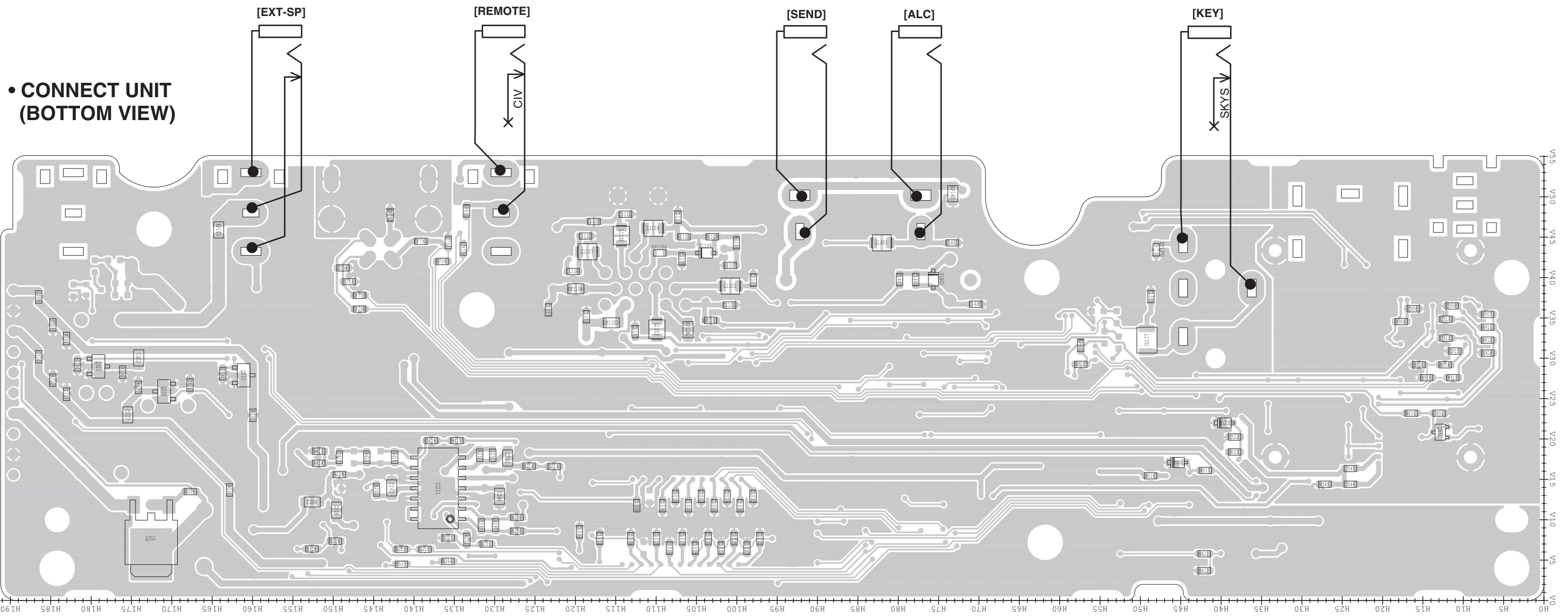


• RIT UNIT
(BOTTOM VIEW)

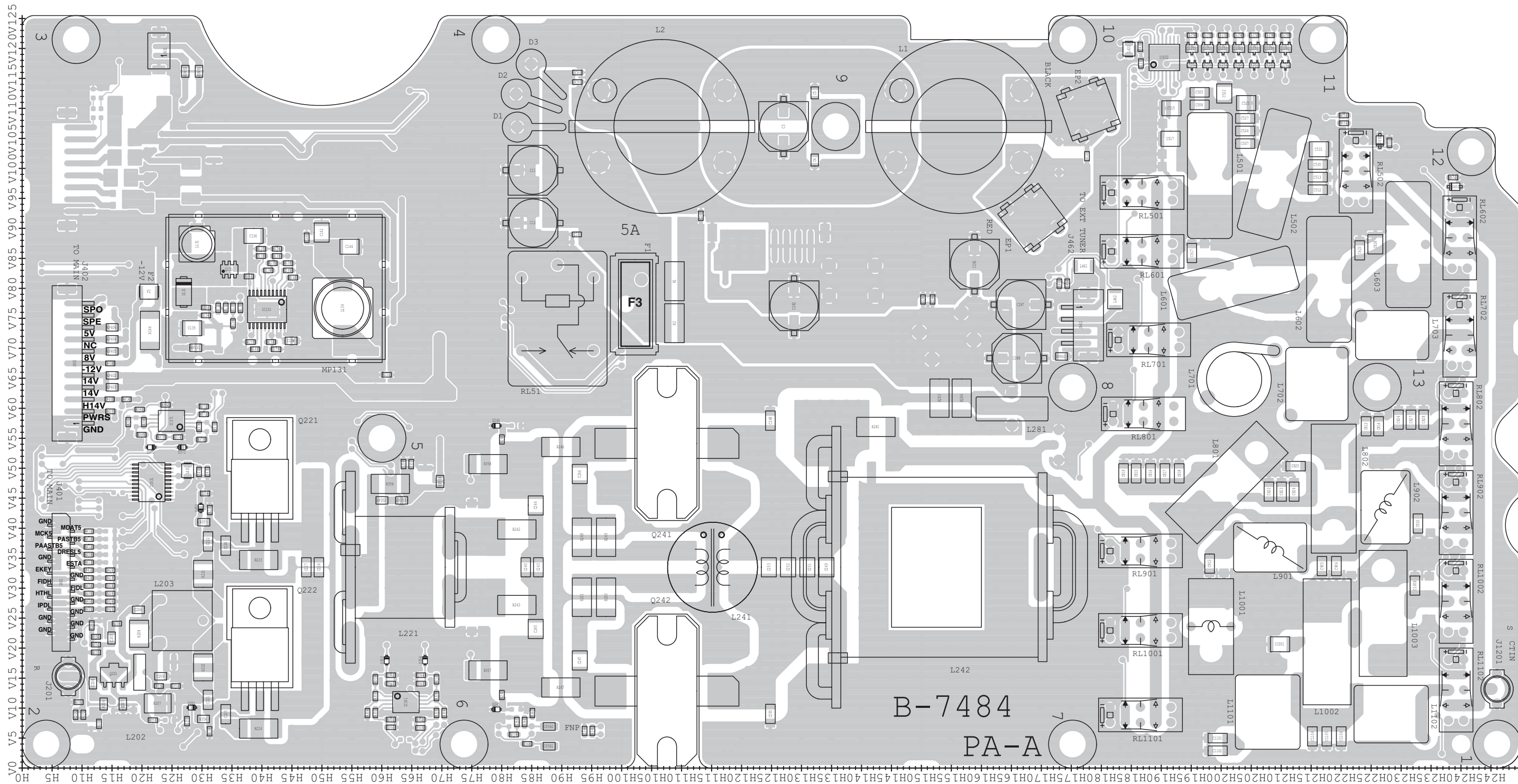


• CONNECT UNIT
(TOP VIEW)

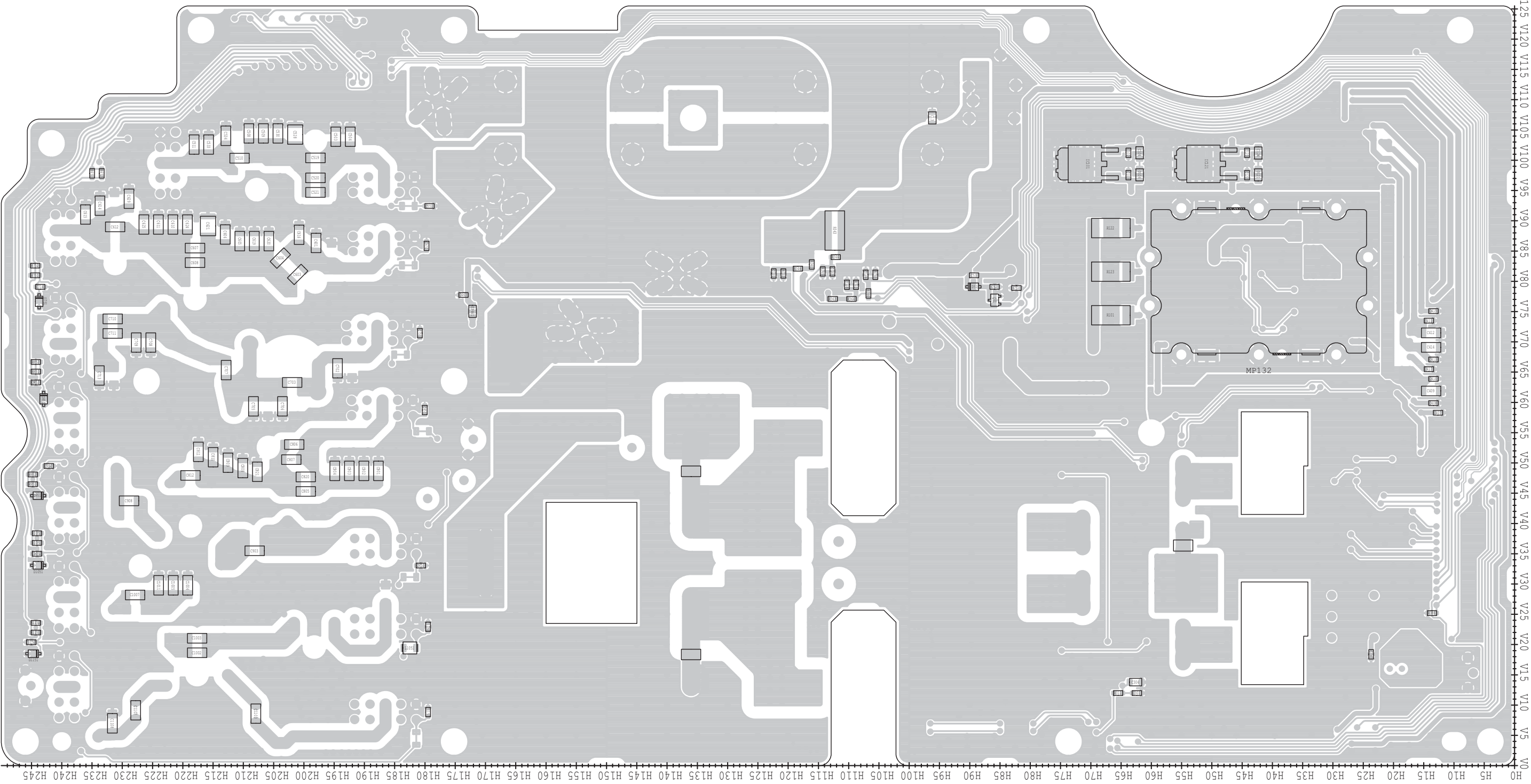




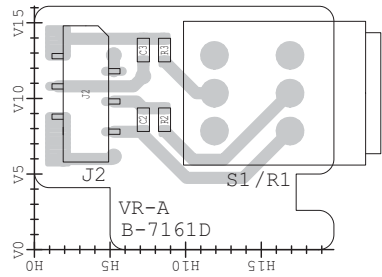
• PA-A UNIT
(TOP VIEW)



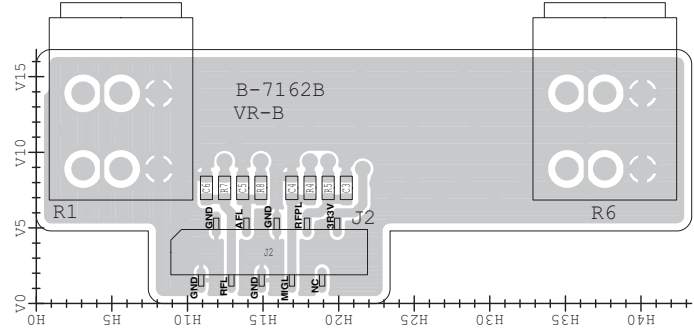
• PA-A UNIT
(BOTTOM VIEW)



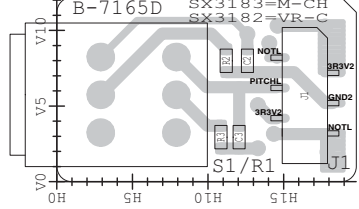
• VR-A UNIT (TOP VIEW)



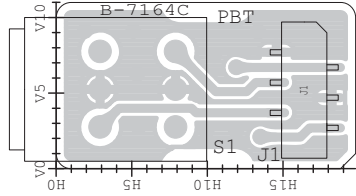
• VR-B UNIT (TOP VIEW)



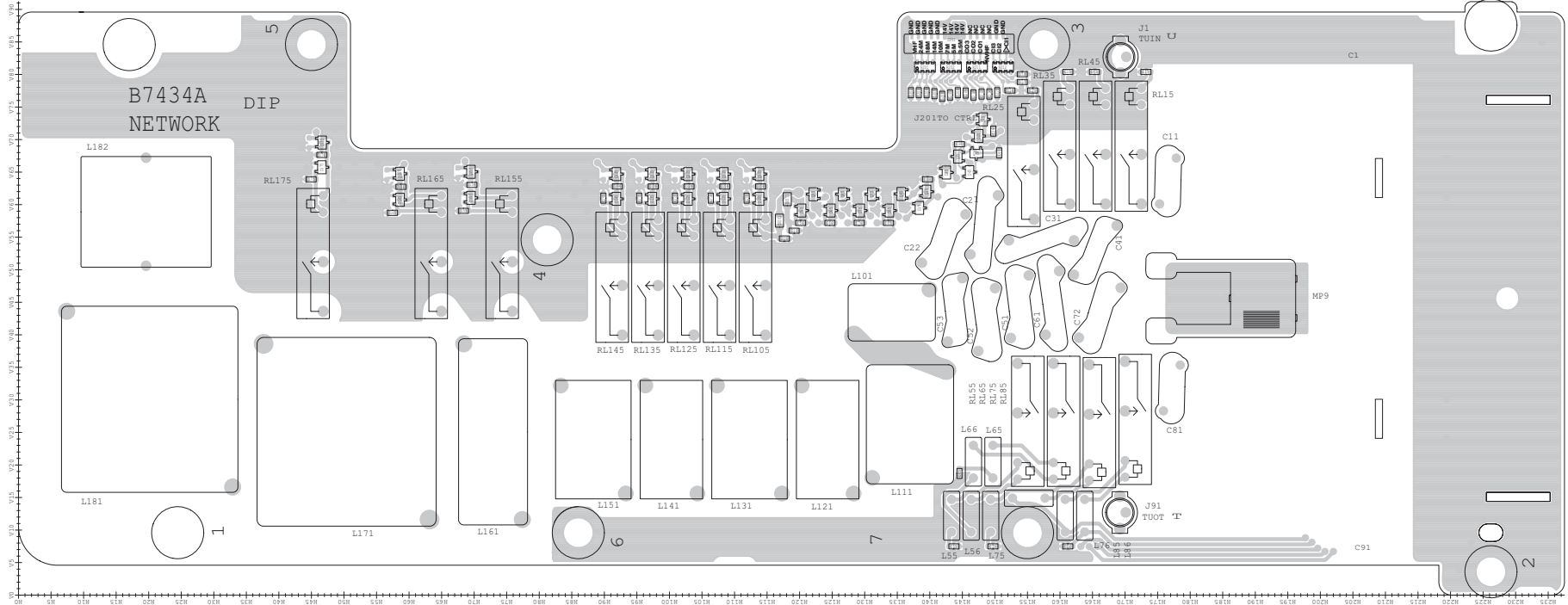
• VR-C UNIT (TOP VIEW)



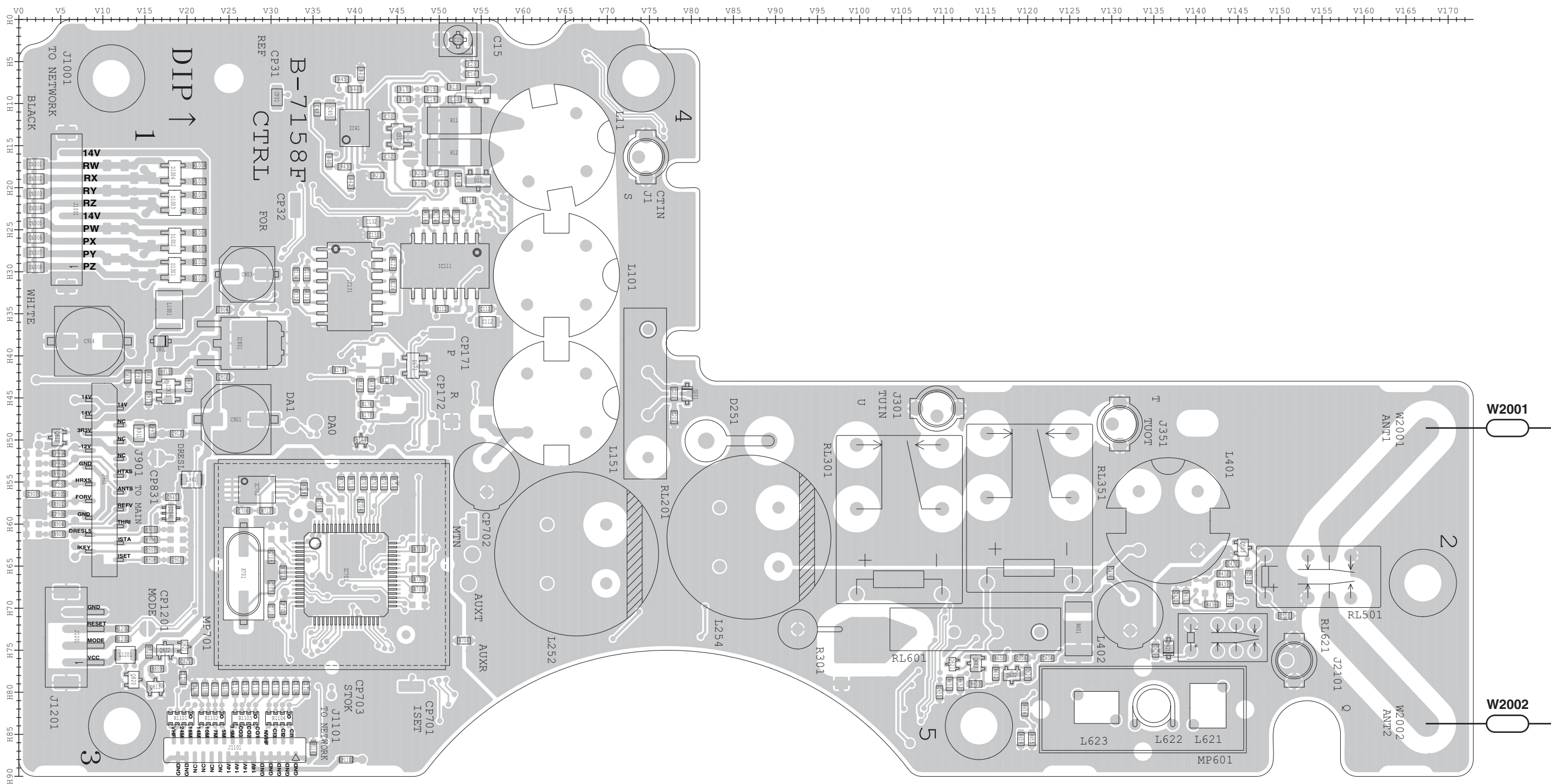
• PBT UNIT (TOP VIEW)



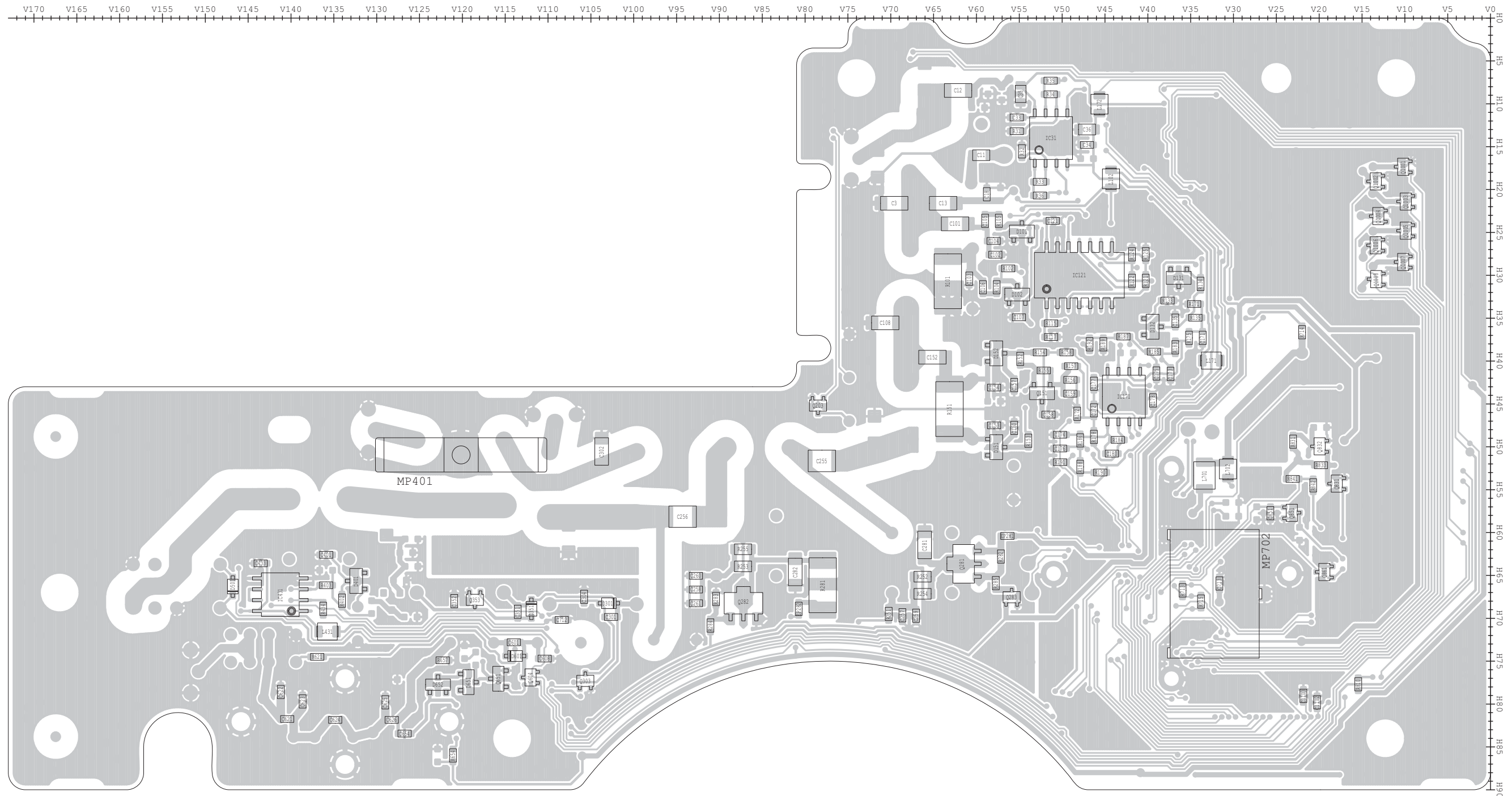
• NETWORK UNIT (TOP VIEW)



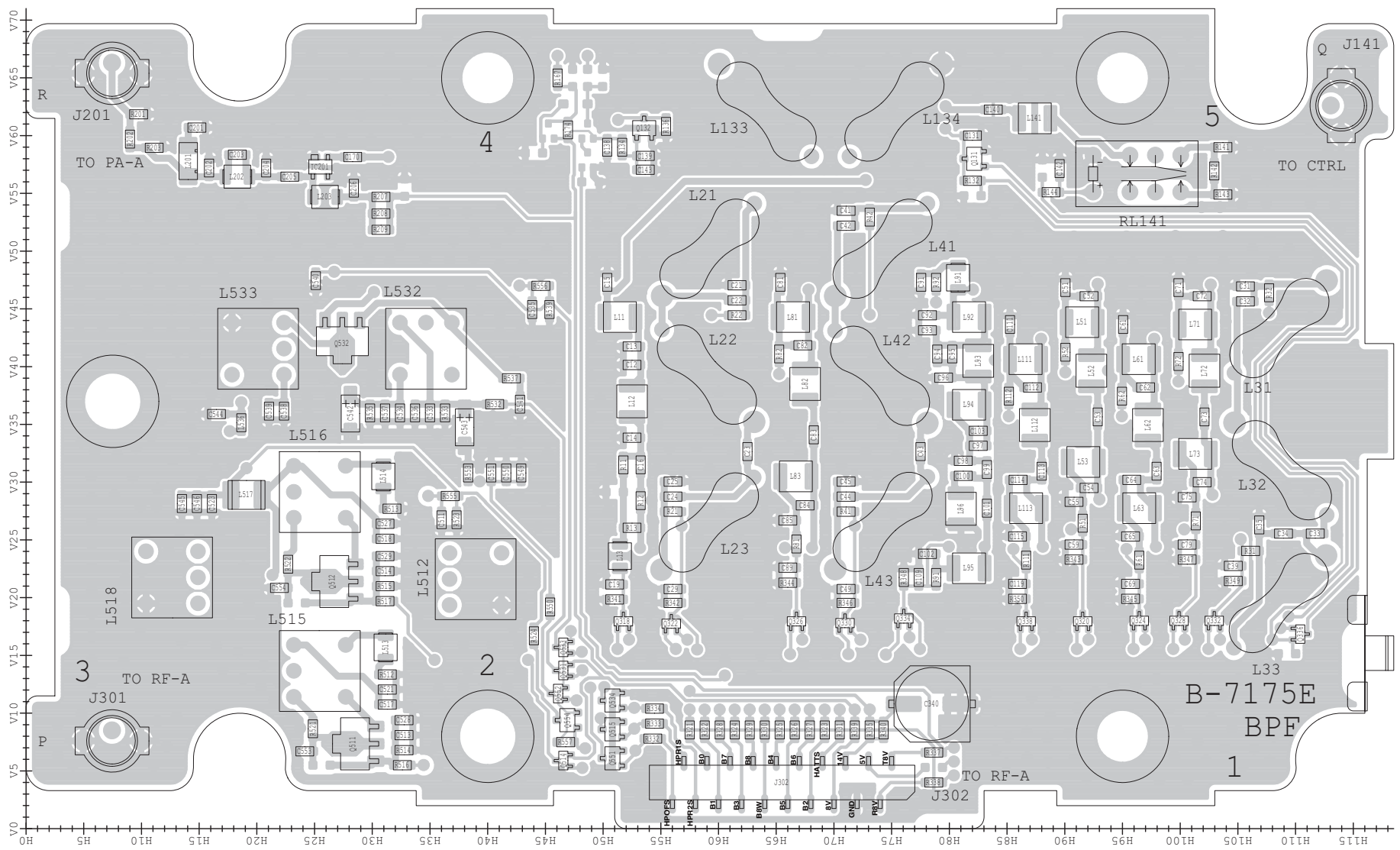
• CTRL UNIT (TOP VIEW)



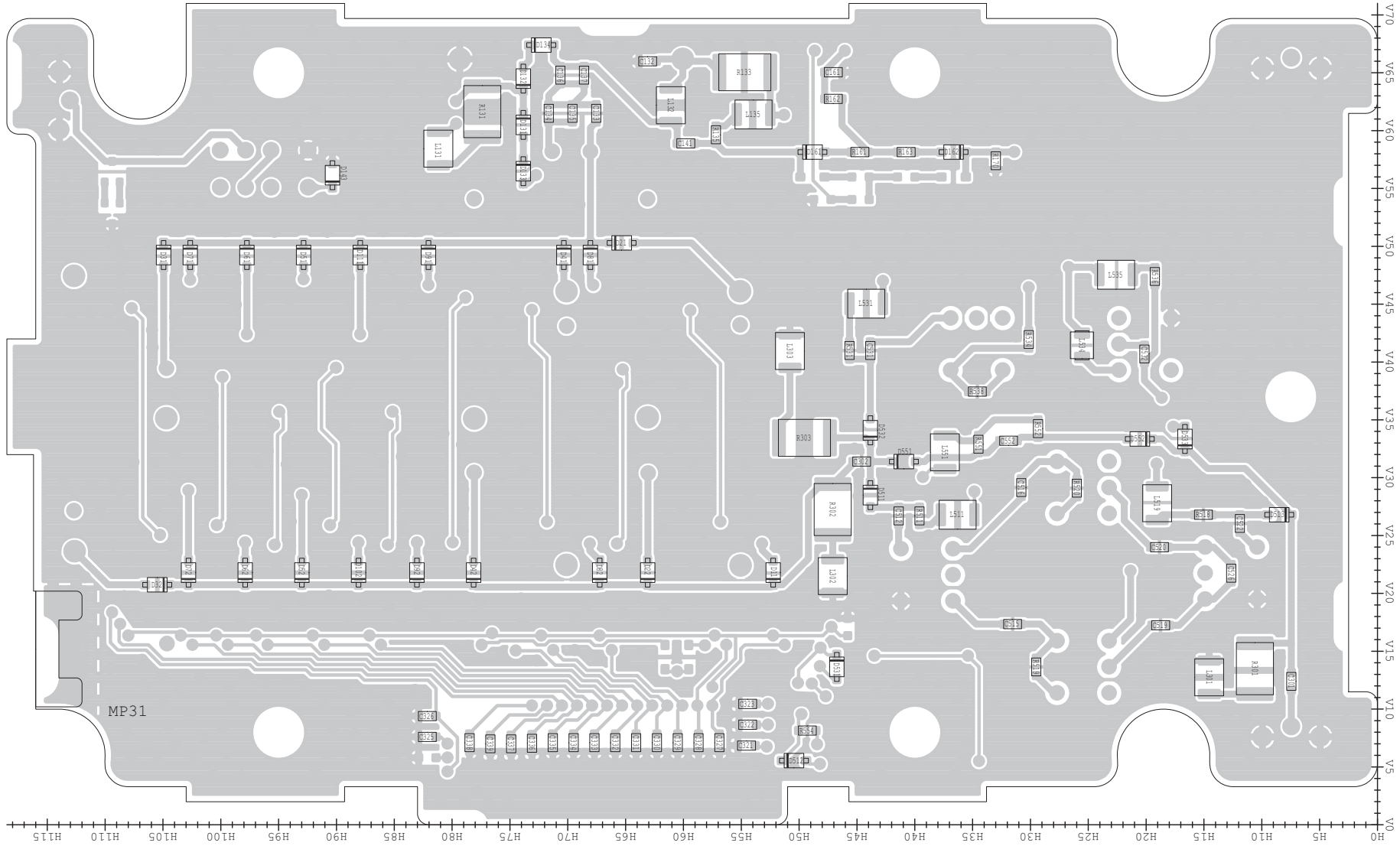
• CTRL UNIT
(BOTTOM VIEW)



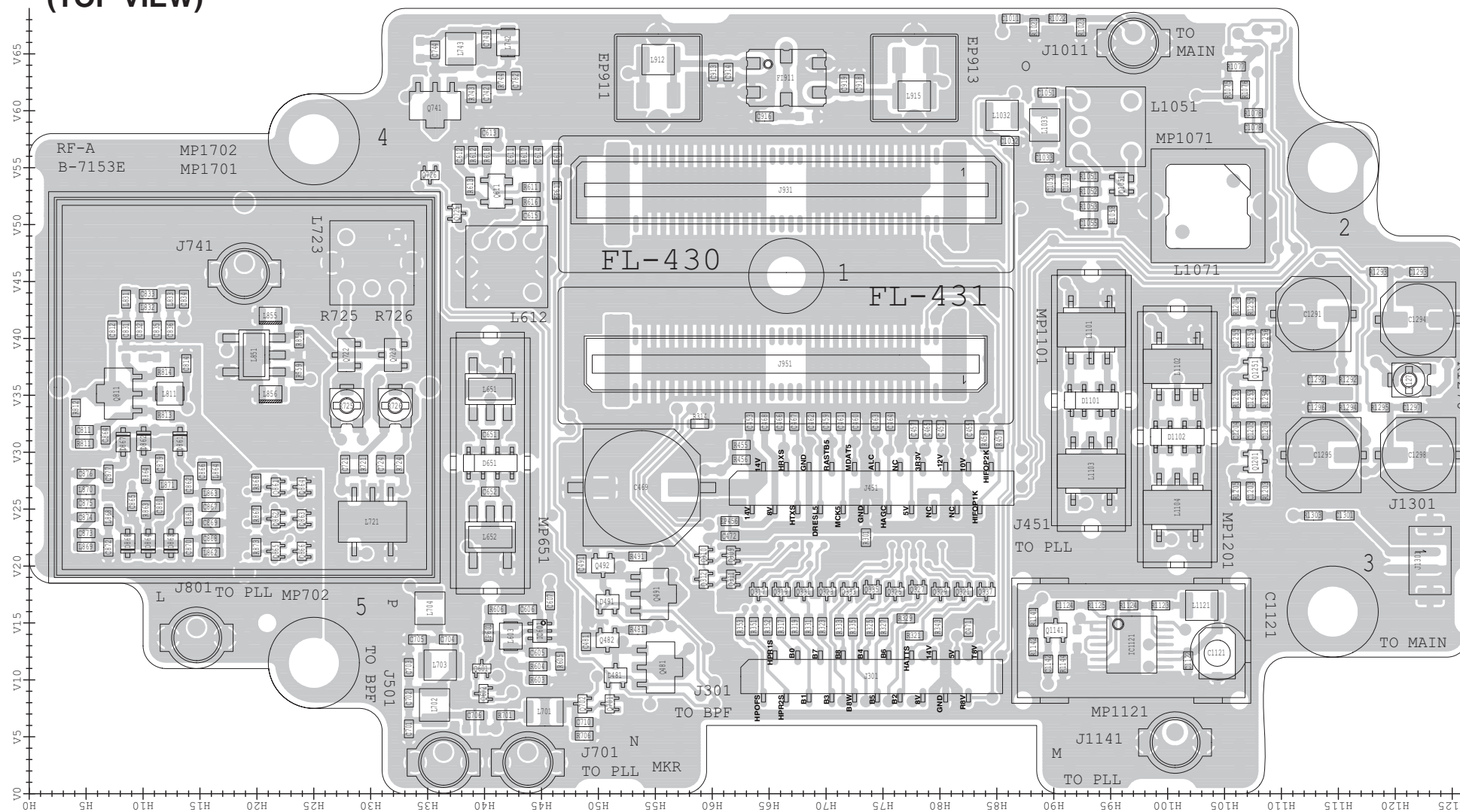
• BPF UNIT
(TOP VIEW)



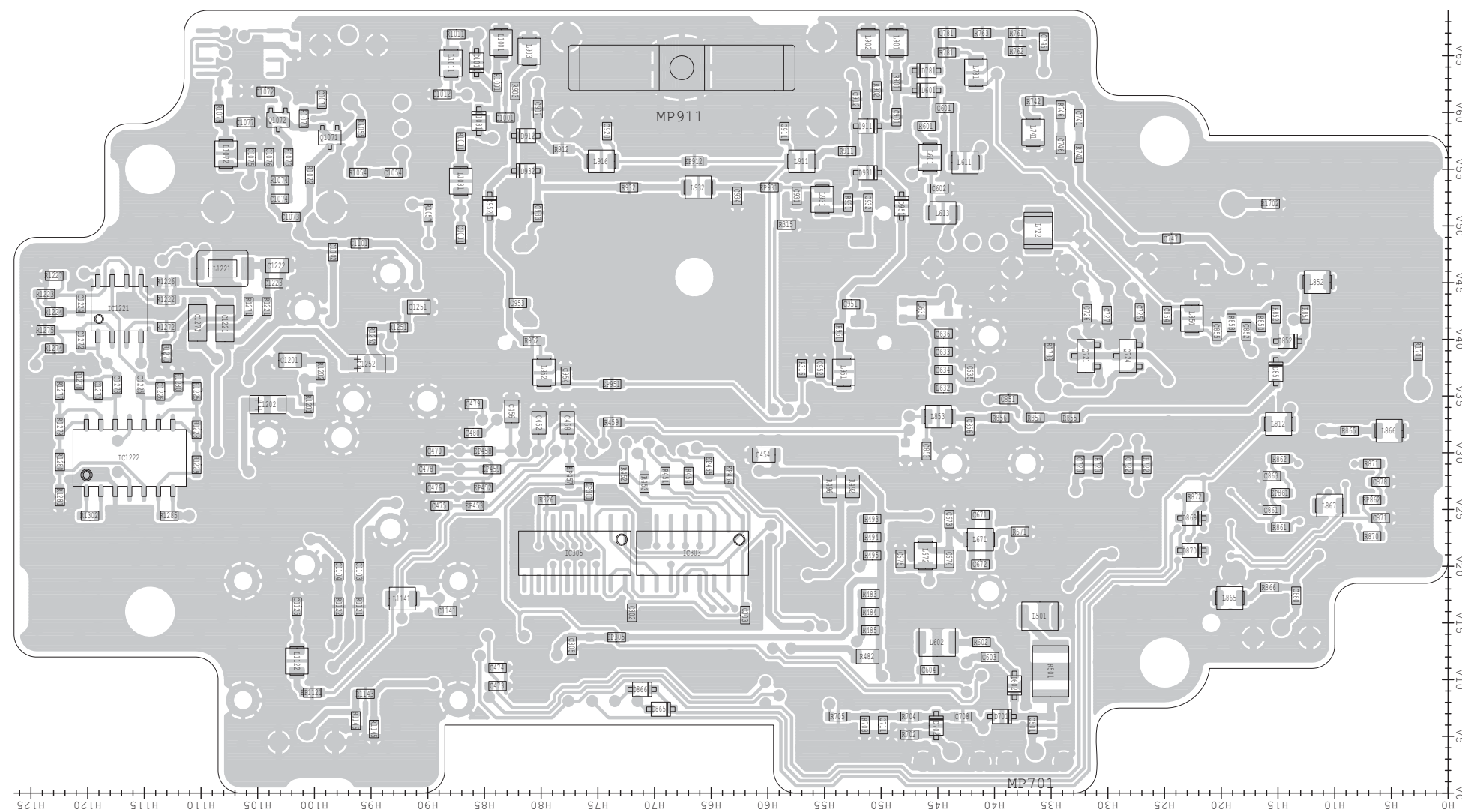
• BPF UNIT
(BOTTOM VIEW)

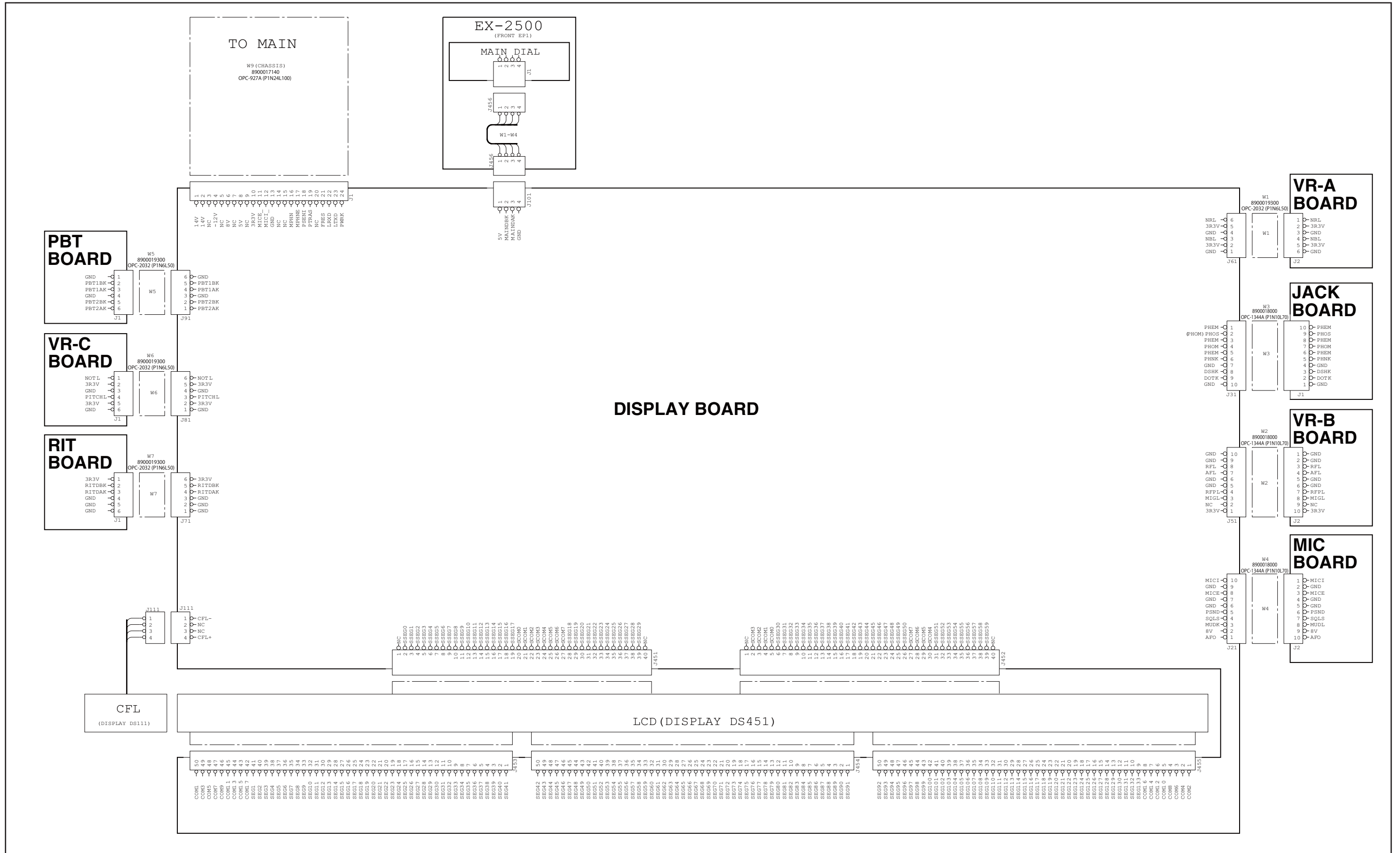


• RF-A UNIT
(TOP VIEW)



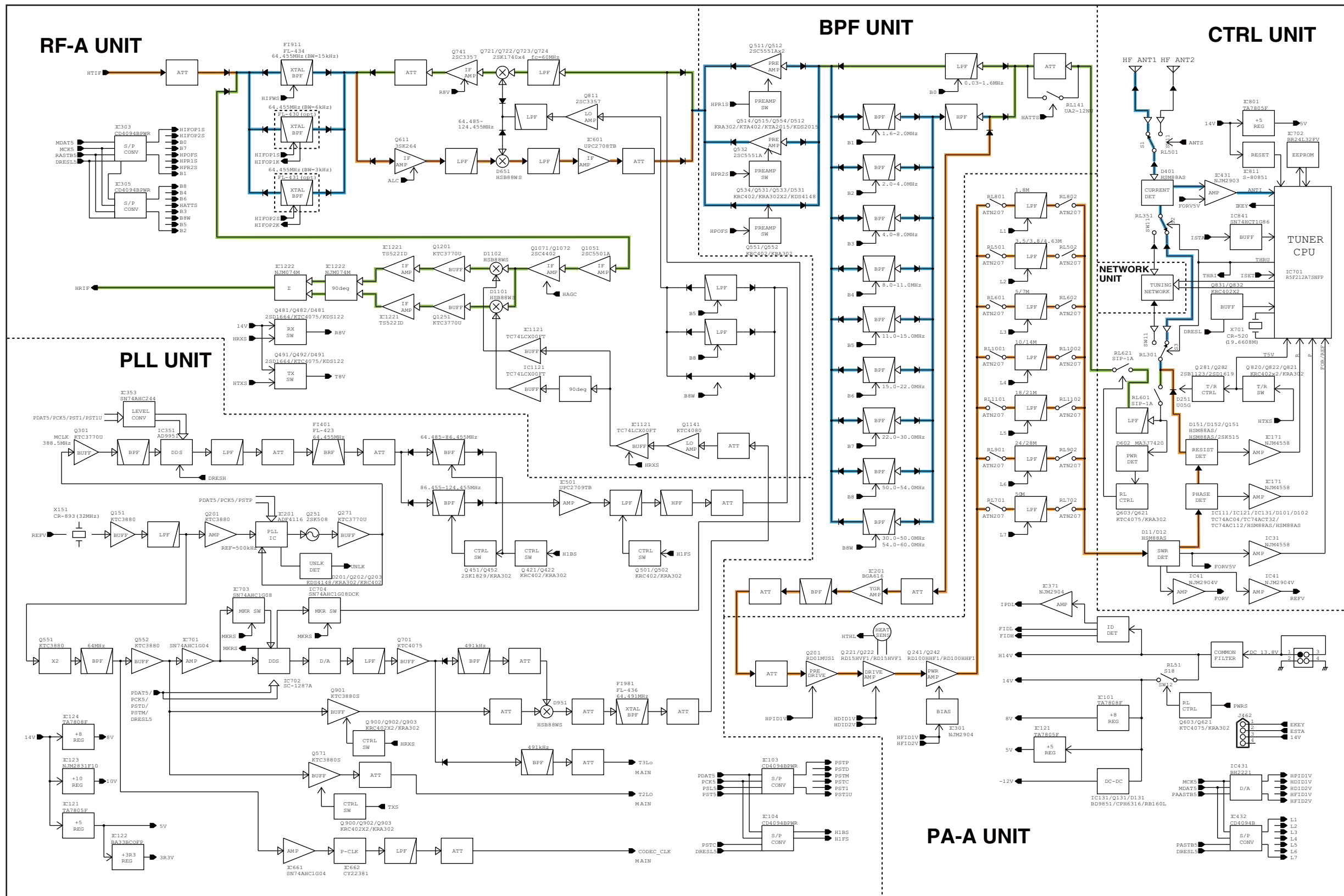
• RF-A UNIT
(BOTTOM VIEW)

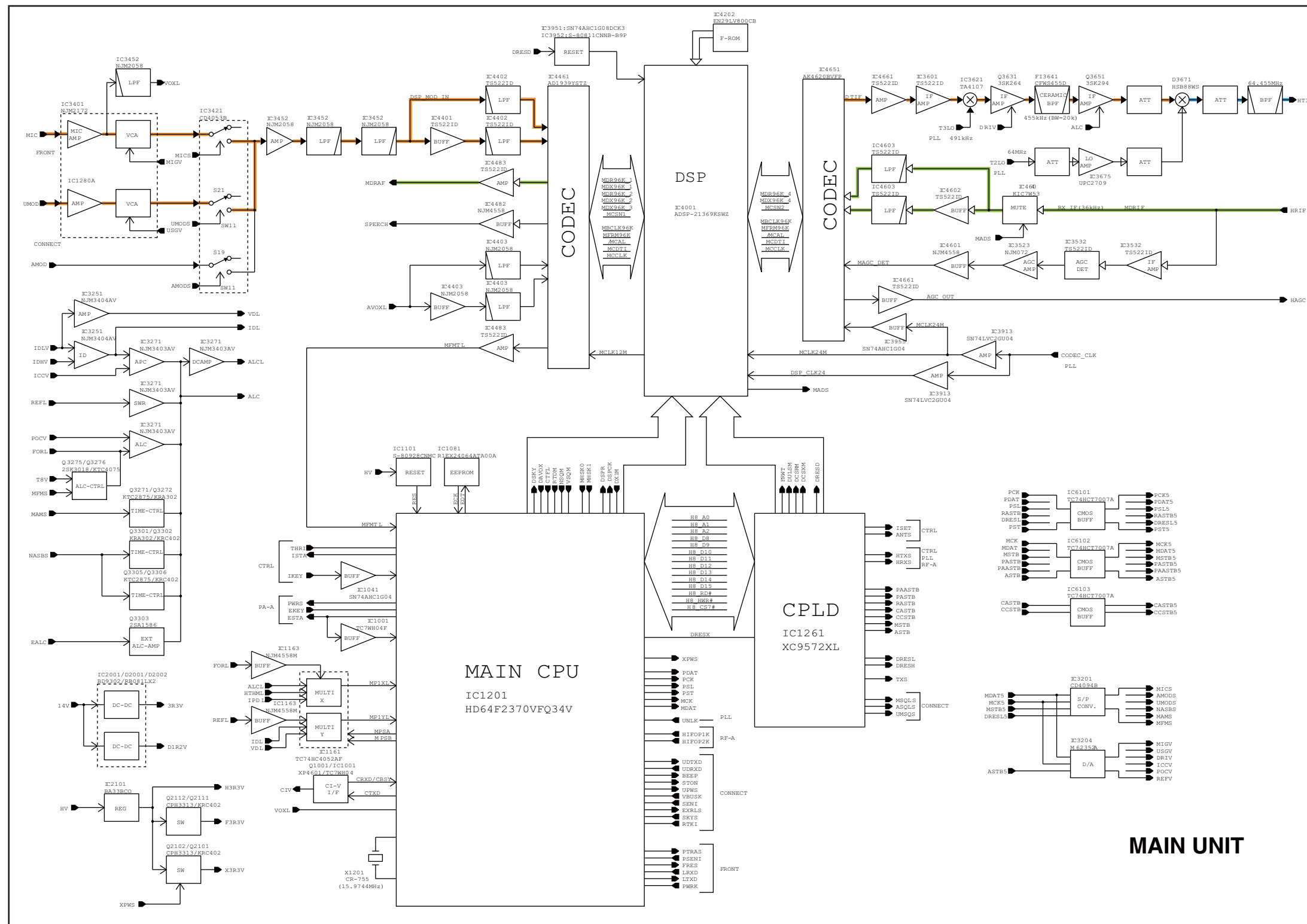




SECTION 9

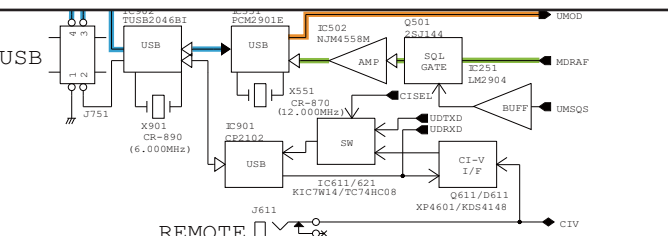
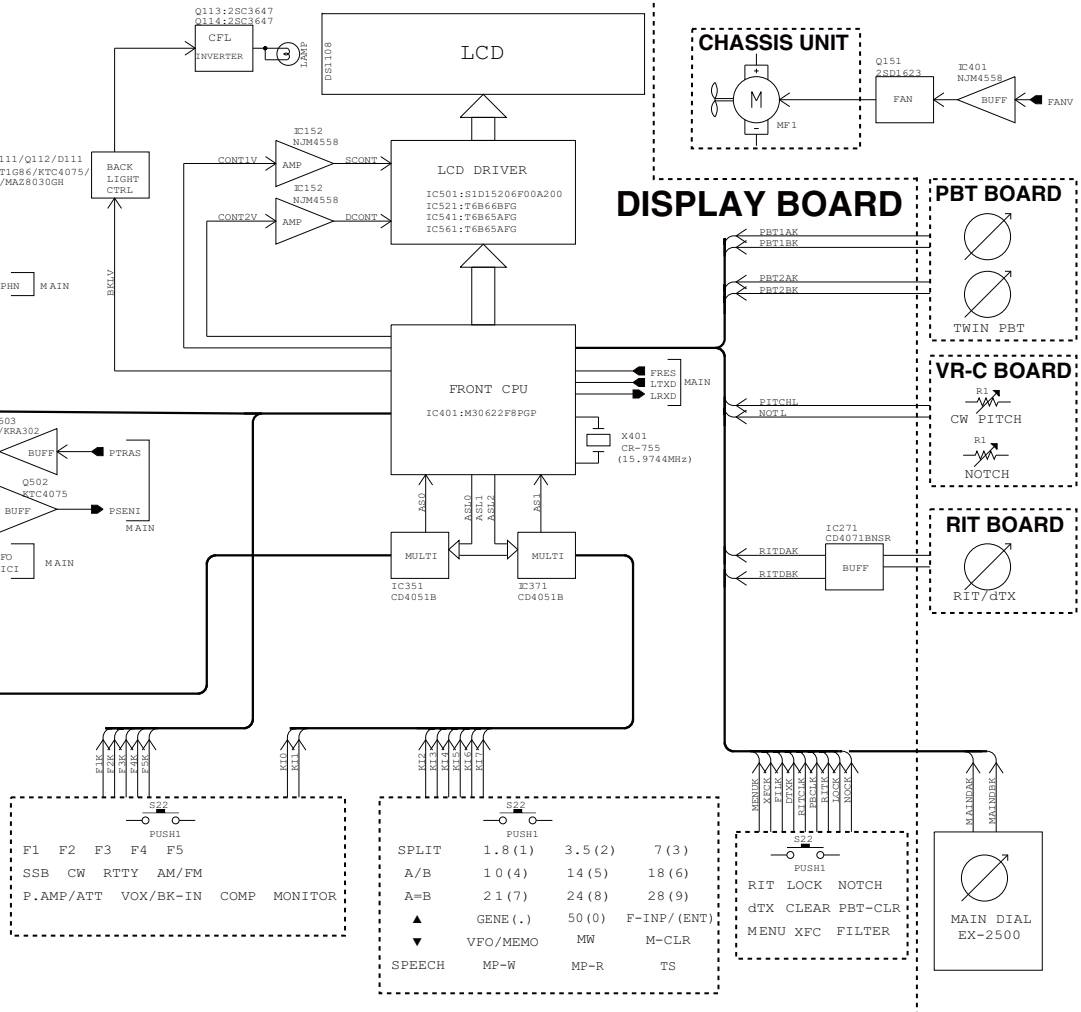
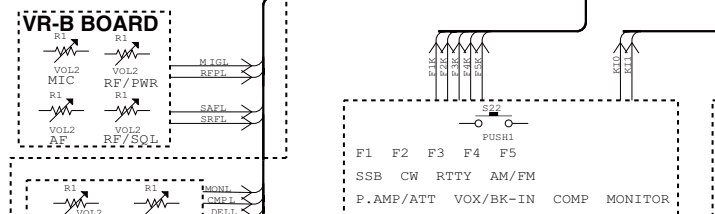
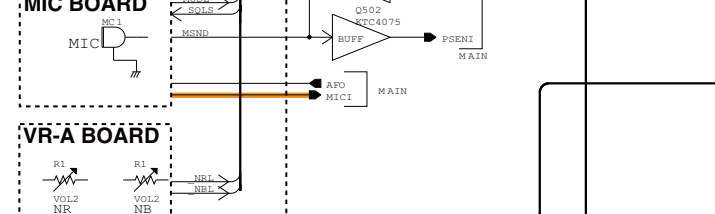
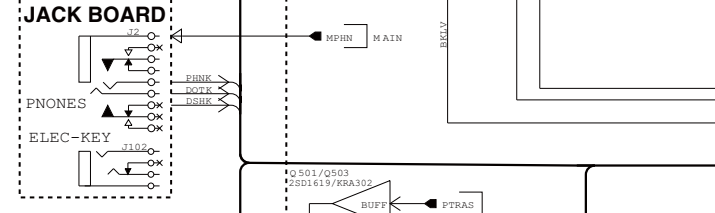
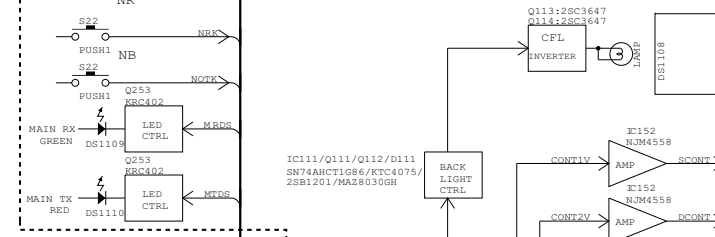
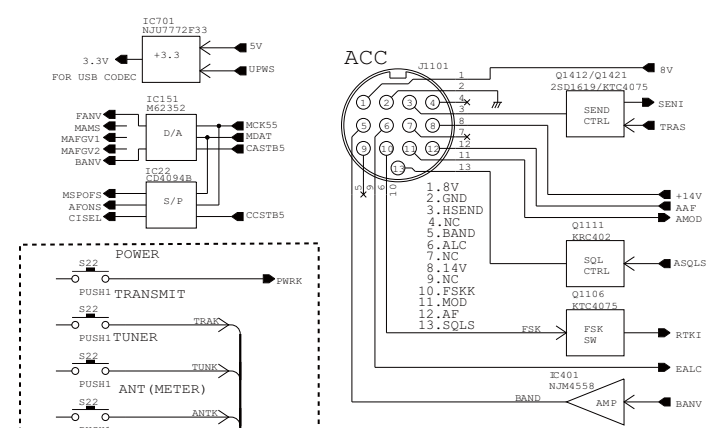
BLOCK DIAGRAM



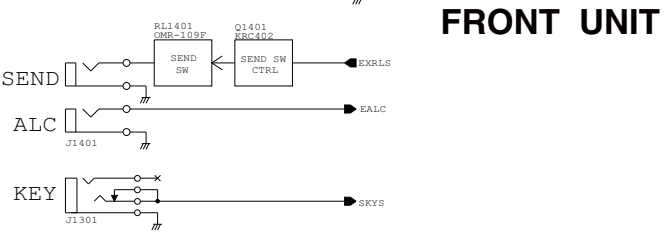


MAIN UNIT

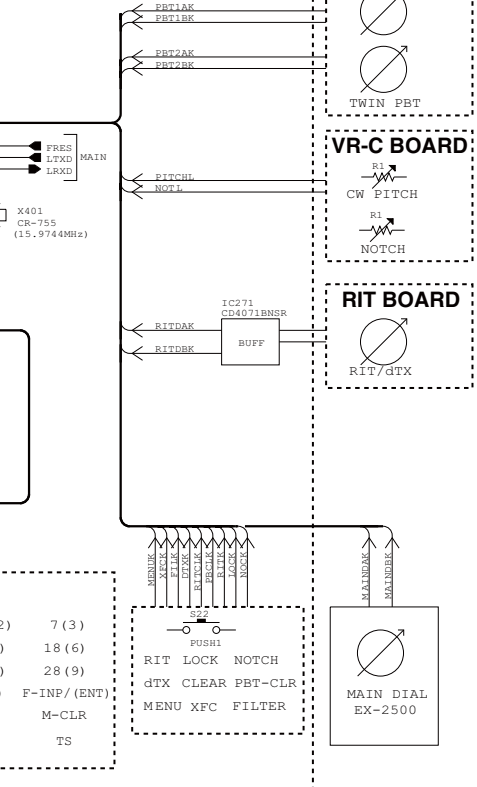
CONNECT UNIT



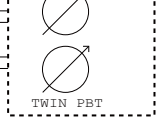
FRONT UNIT



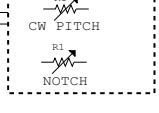
DISPLAY BOARD



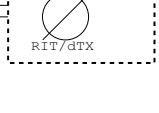
PBT BOARD



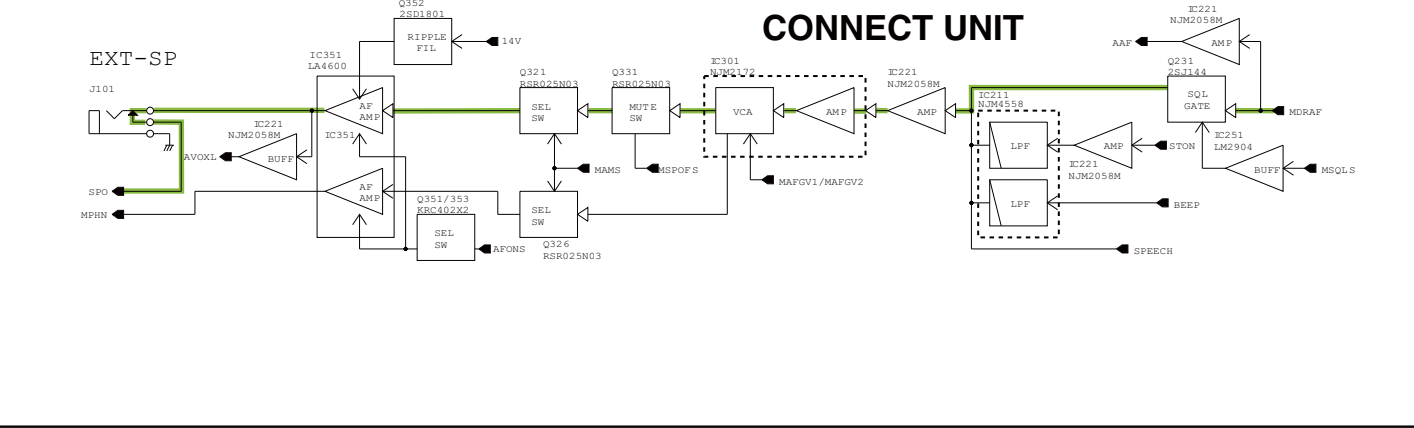
VR-C BOARD



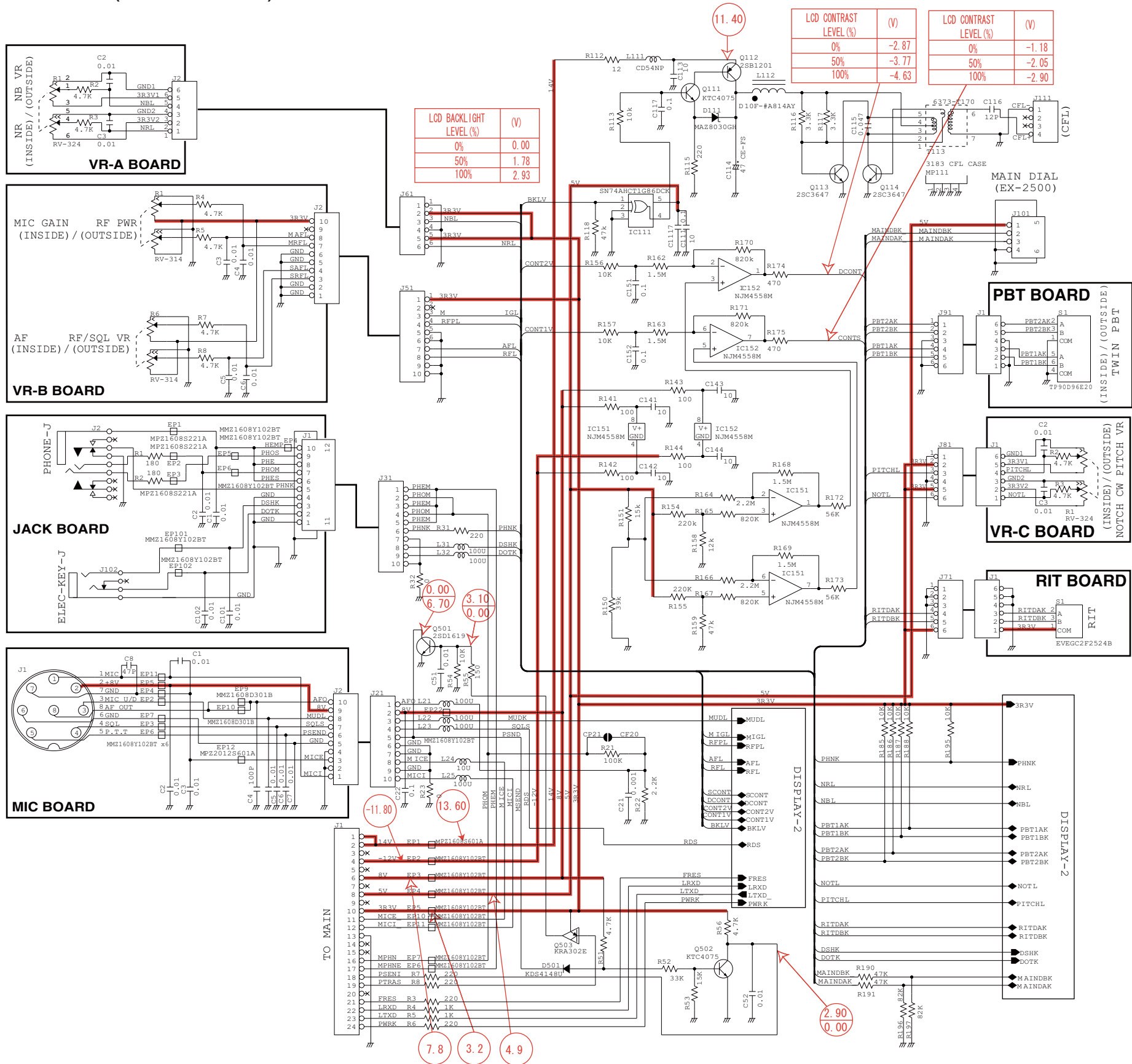
RIT BOARD



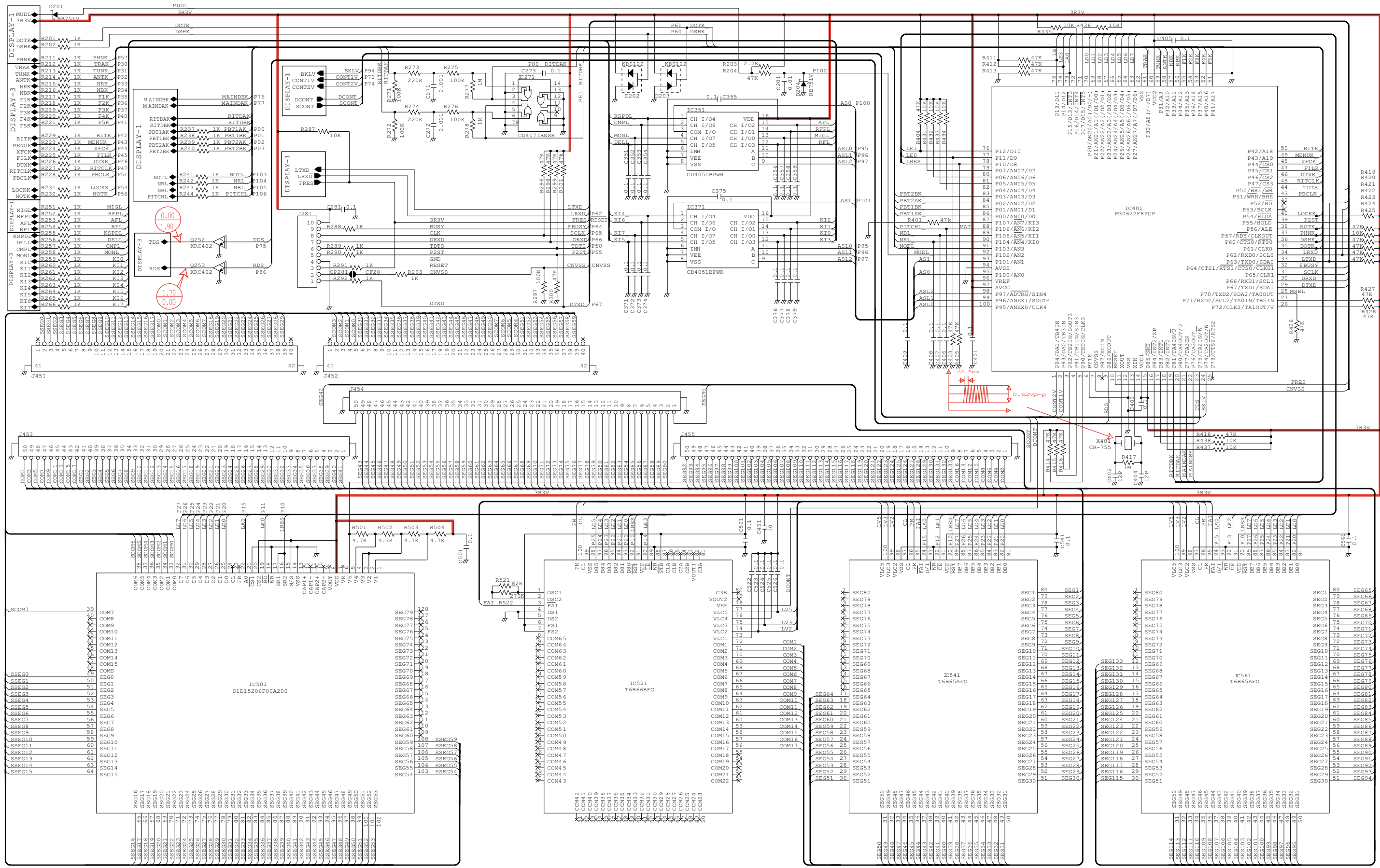
CONNECT UNIT



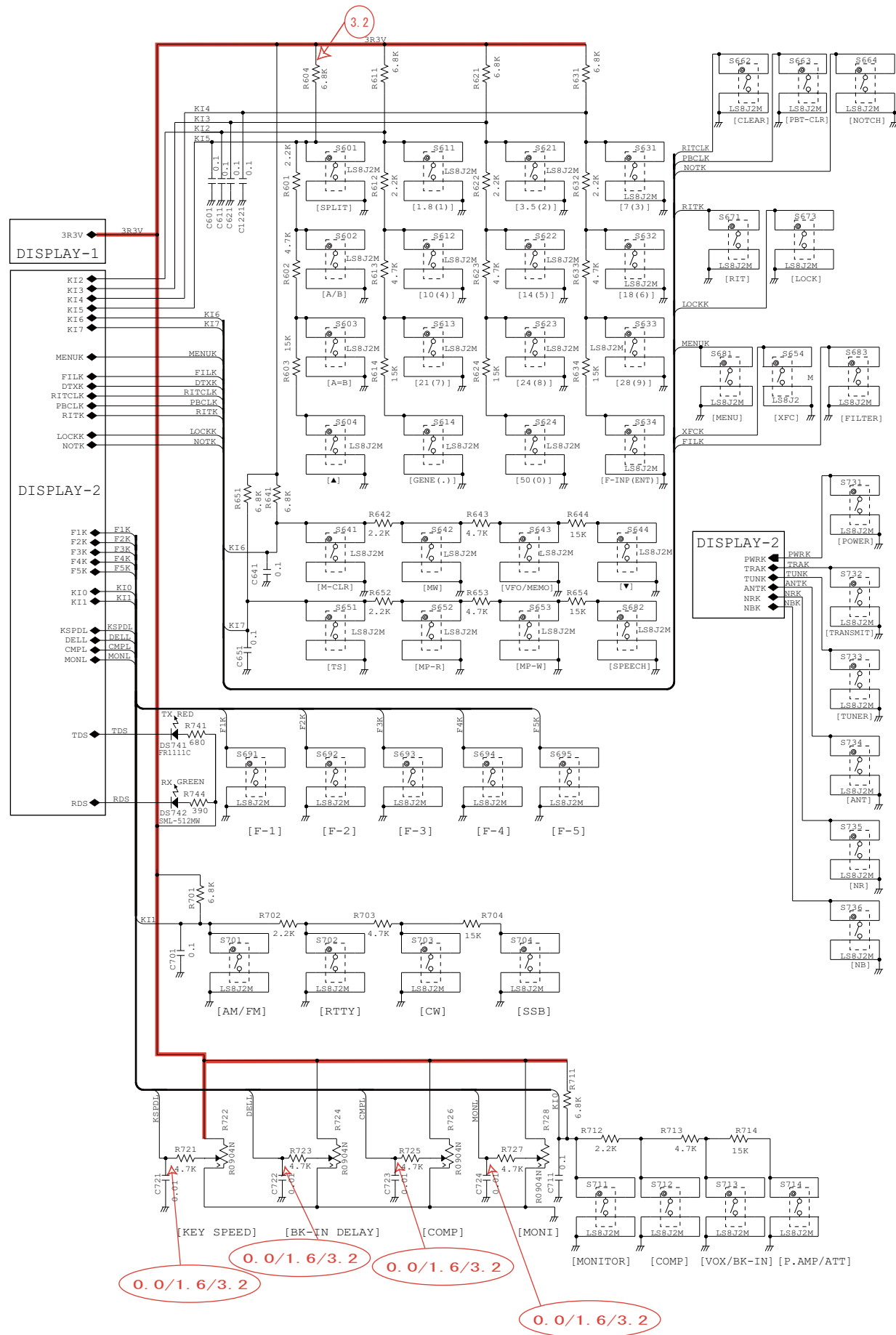
• DISPLAY BOARD (DISPLAY BOARD-1)



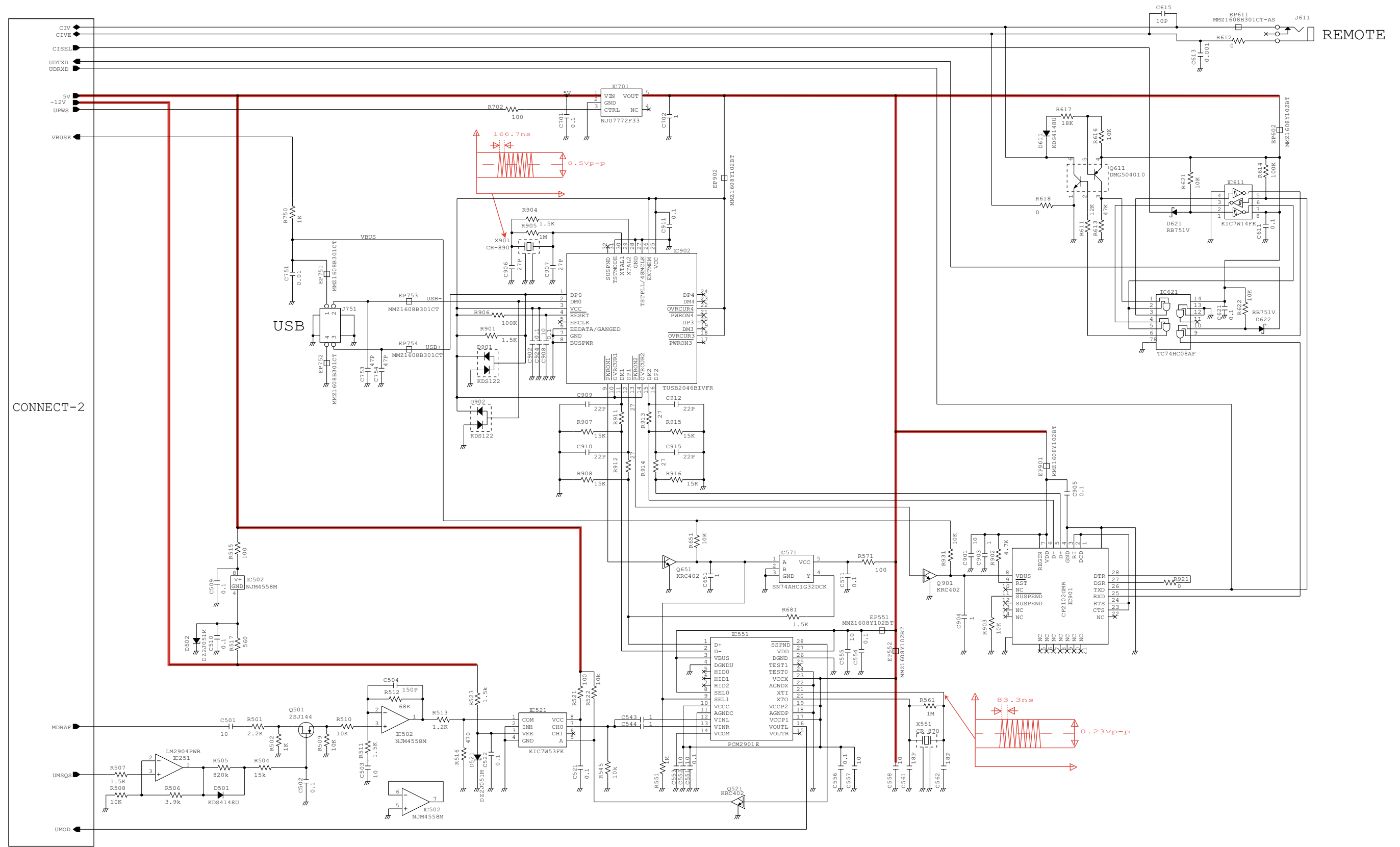
• DISPLAY BOARD (DISPLAY BOARD-2)



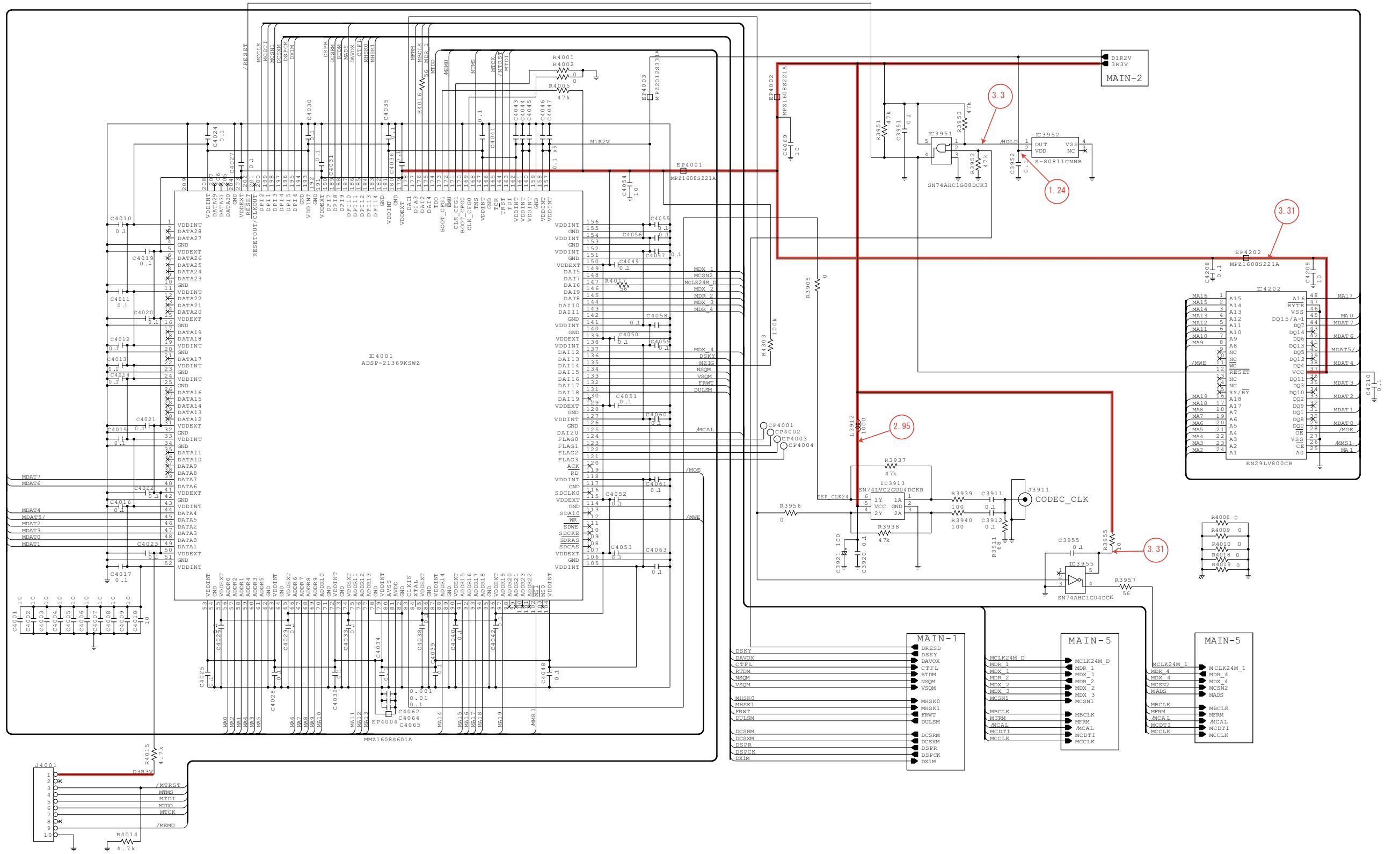
• DISPLAY BOARD (DISPLAY BOARD-3)



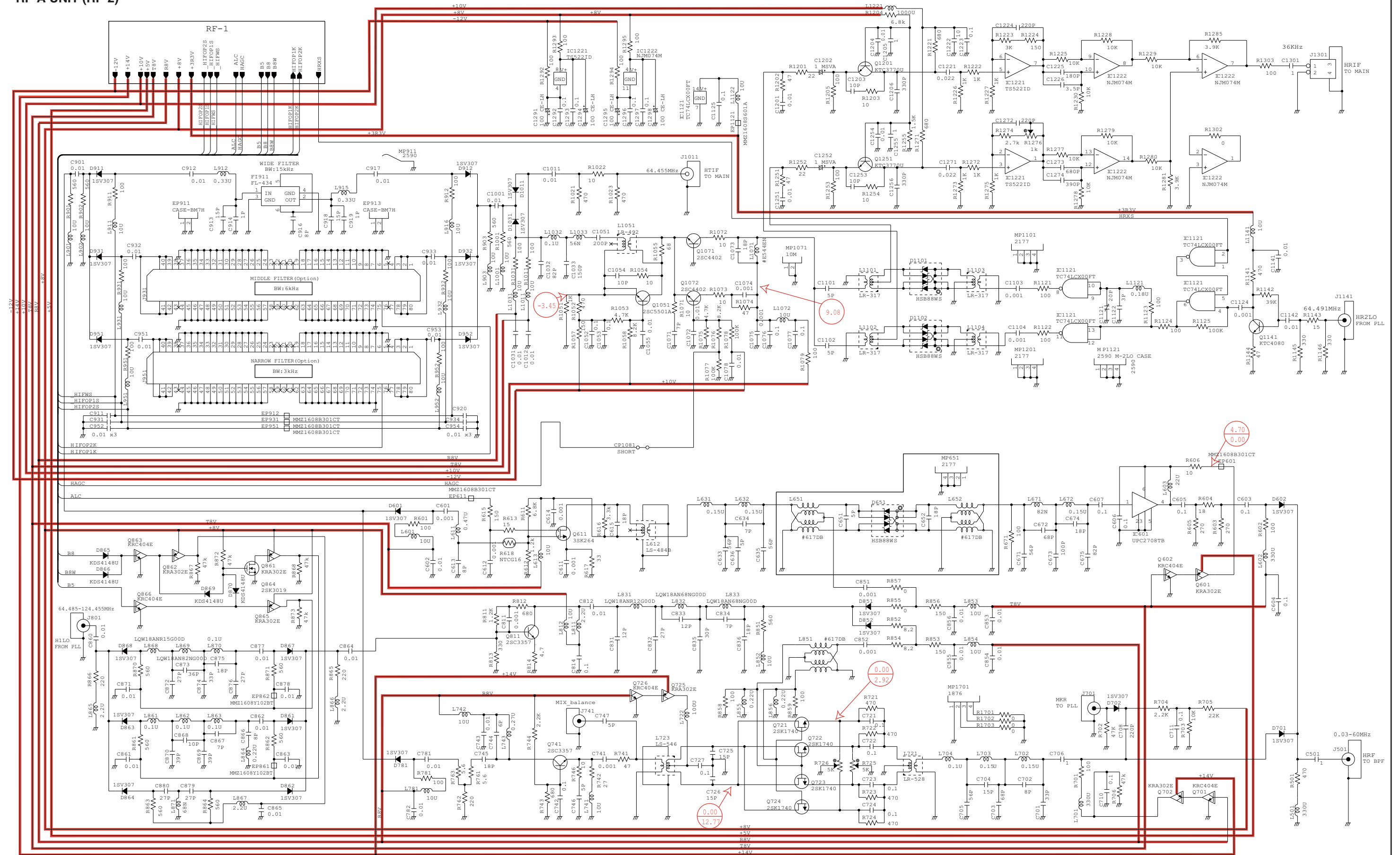
• CONNECT UNIT (CONNECT-1)



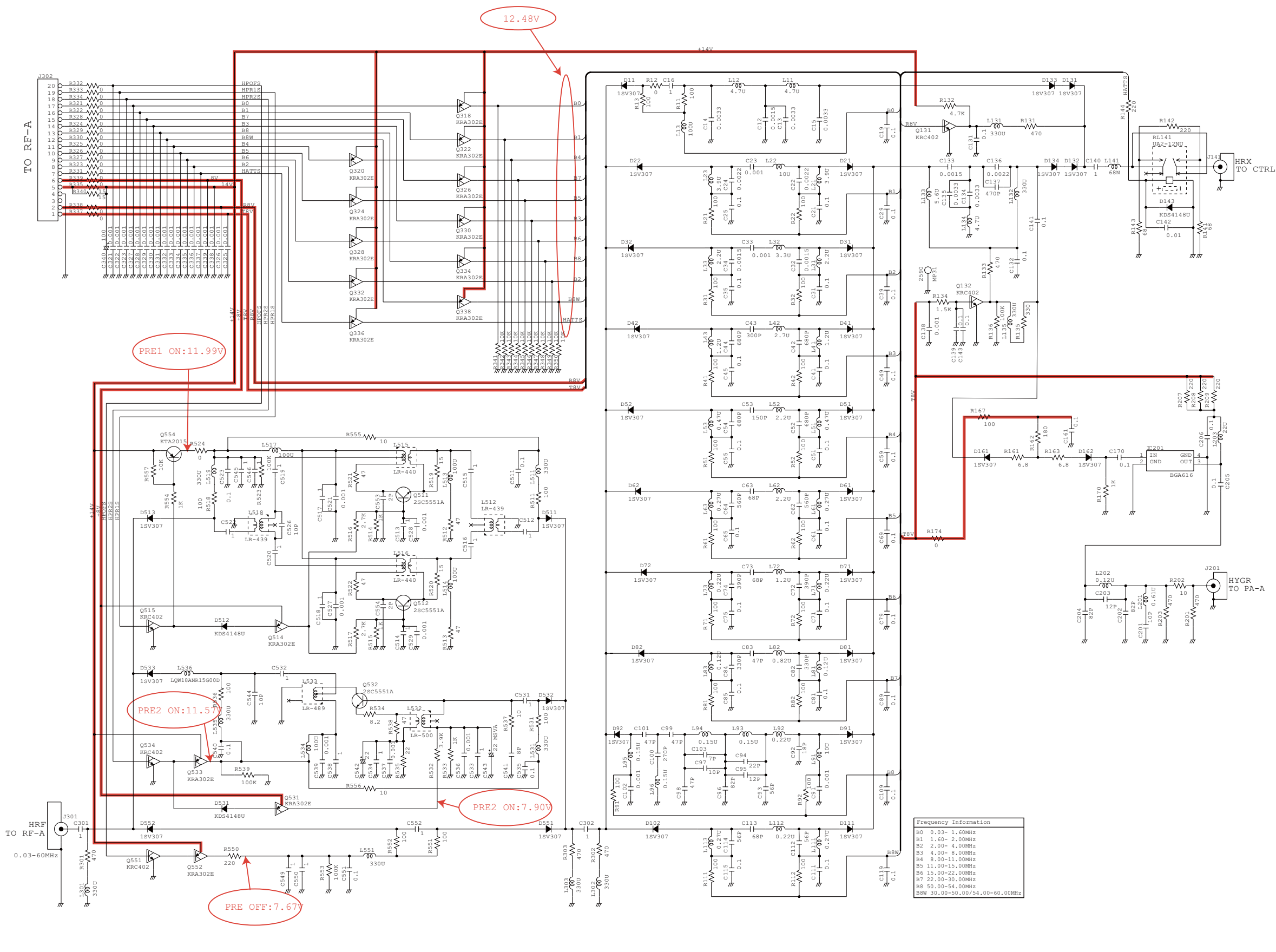
• MAIN UNIT (MAIN-4)



• RF-A UNIT (RF-2)

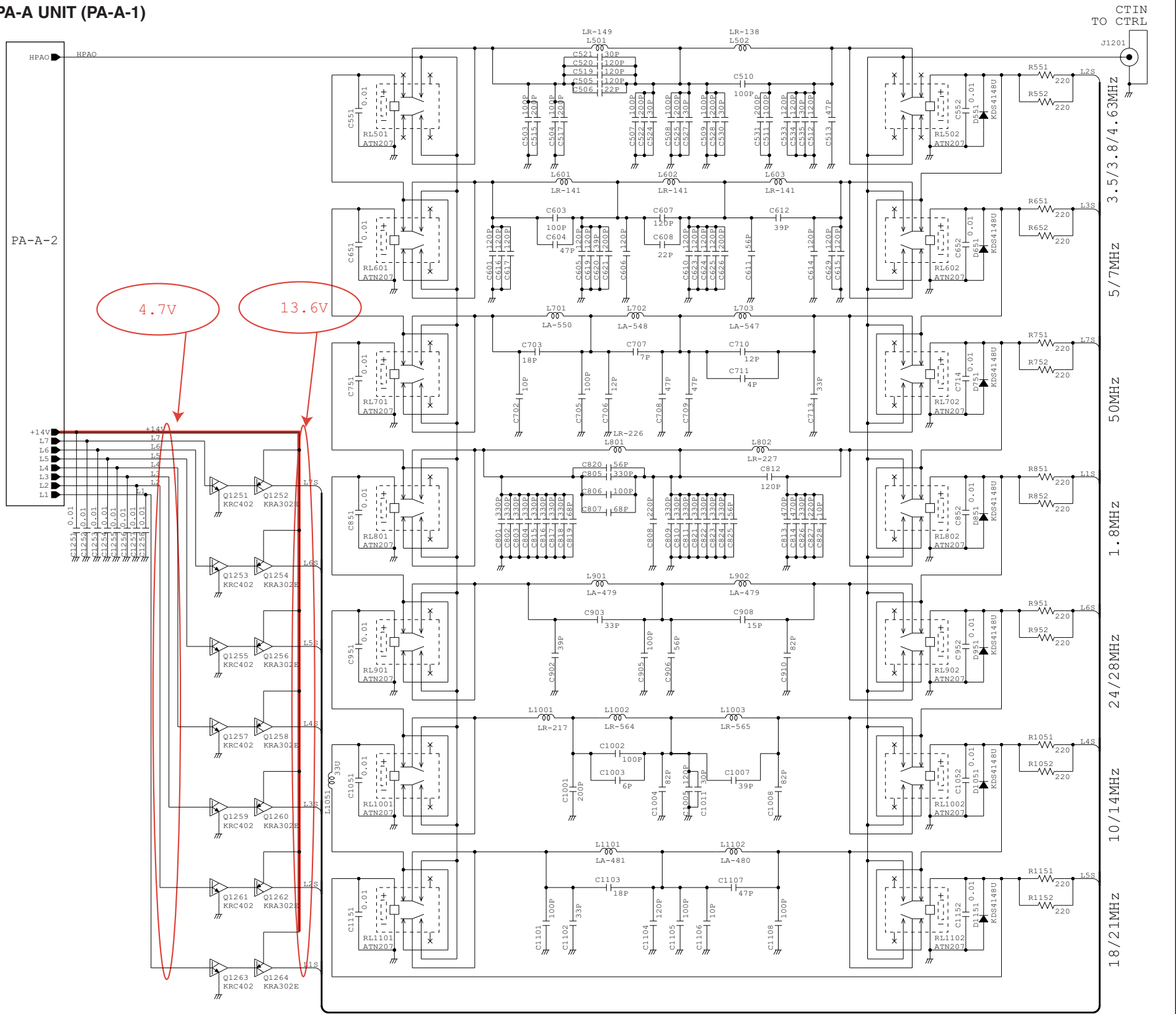


• BPF UNIT

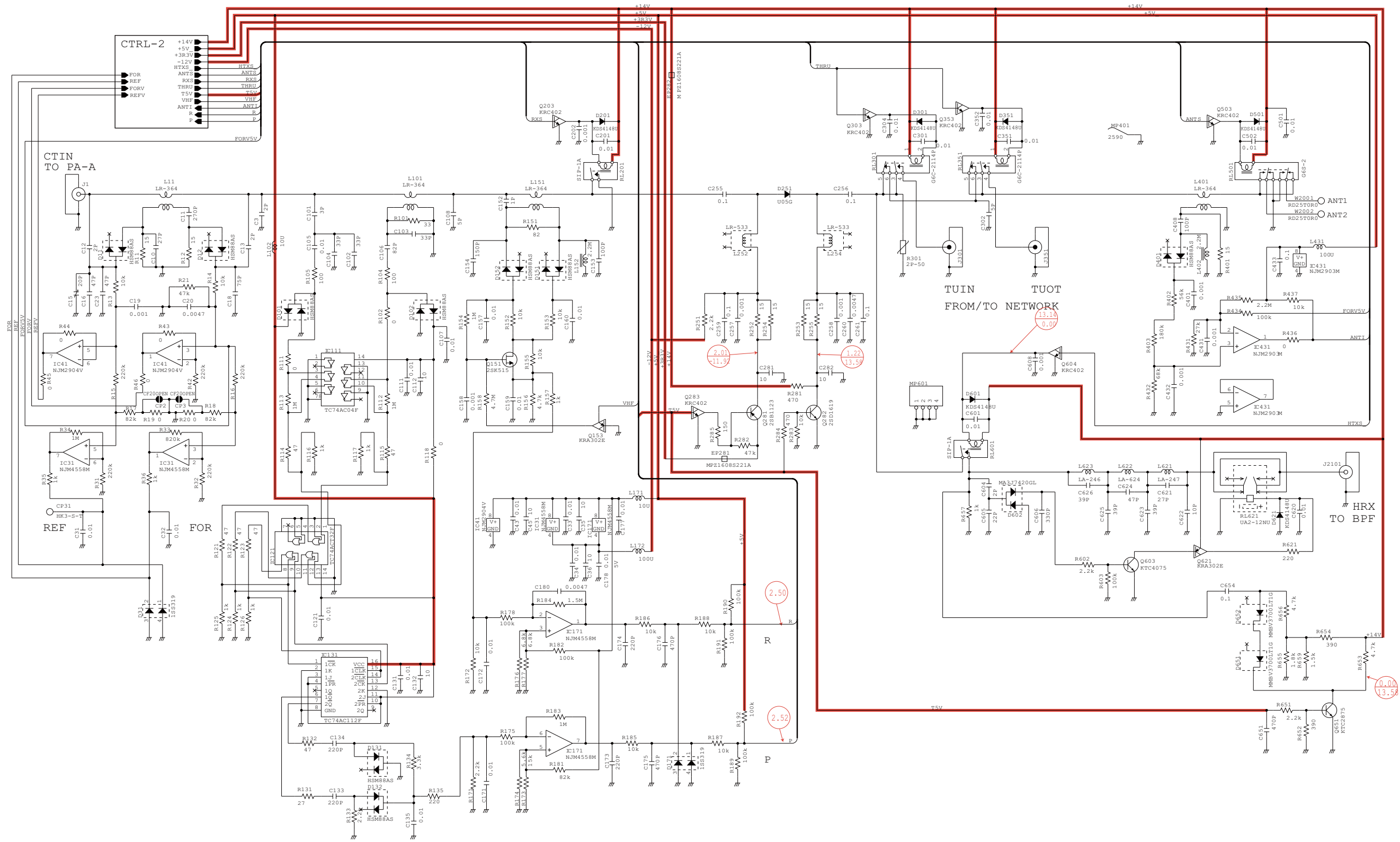


Frequency Information	
B0	0.03-1.0MHz
B1	1.60-2.00MHz
B2	2.00-4.00MHz
B3	4.00-8.00MHz
B4	8.00-11.00MHz
B5	11.00-15.00MHz
B6	15.00-22.00MHz
B7	22.00-30.00MHz
B8	50.00-54.00MHz
B8W	50.00-50.00/54.00-60.00MHz

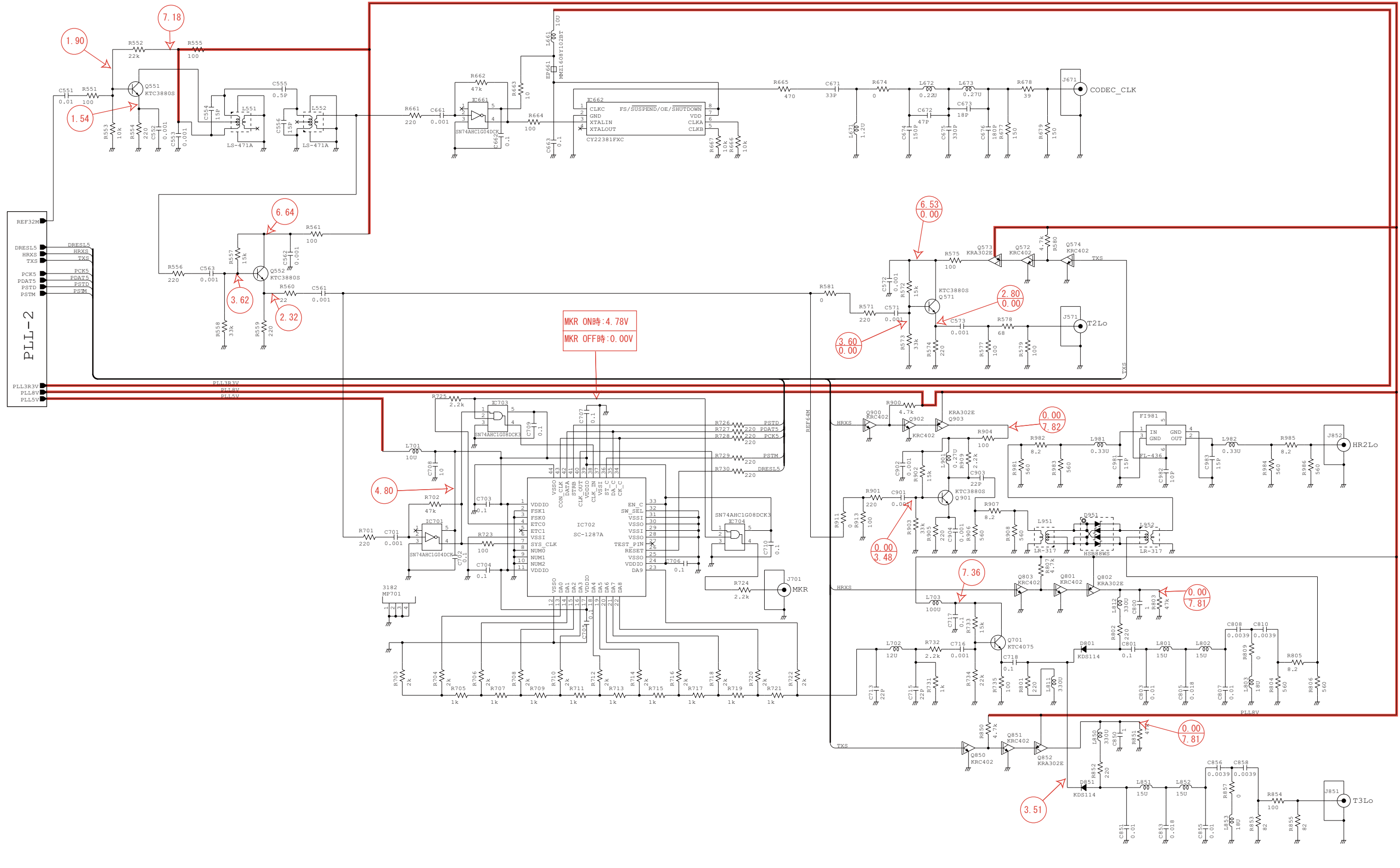
• PA-A UNIT (PA-A-1)



• CTRL UNIT (CTRL-1)

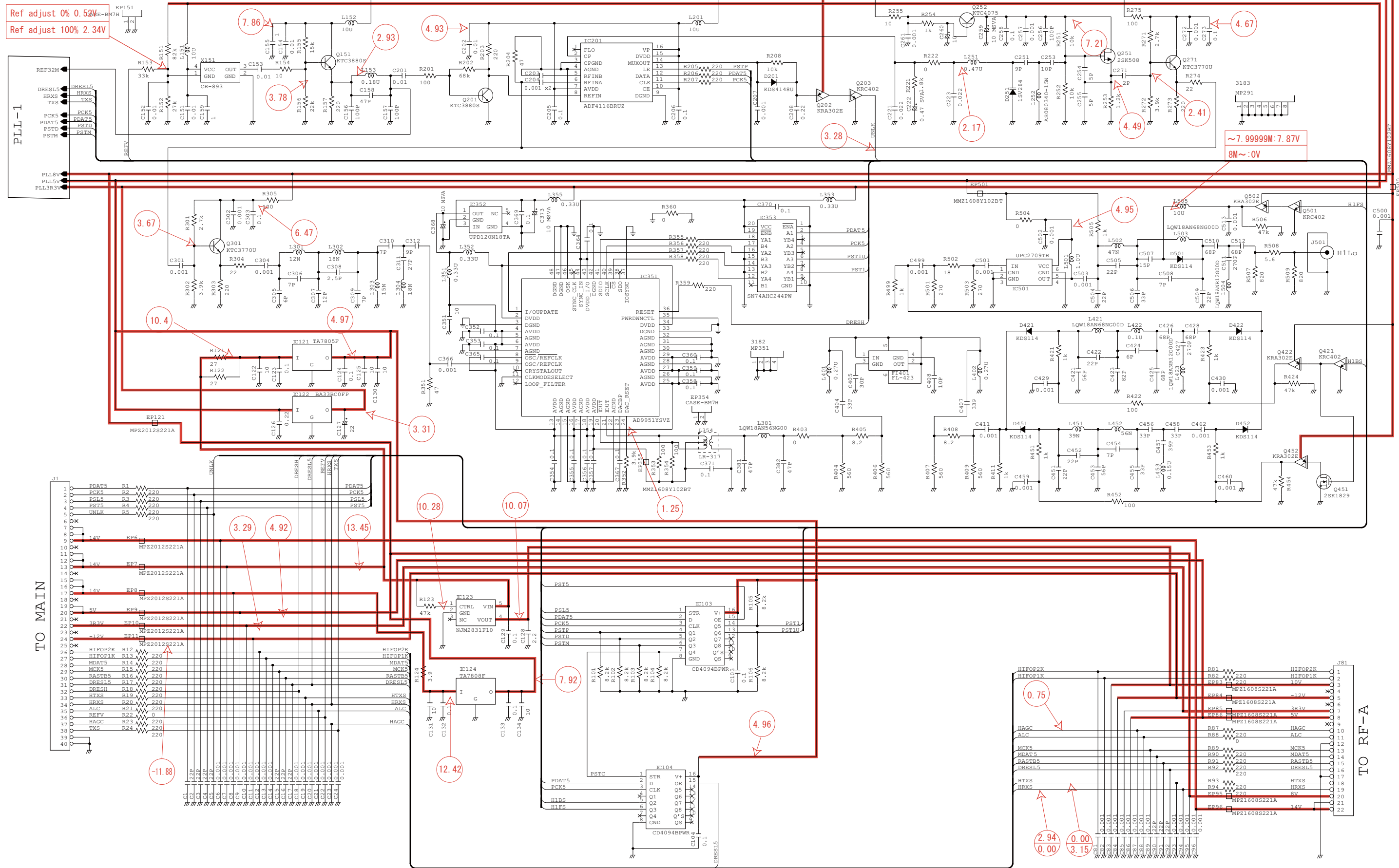


• PLL UNIT (PLL-1)



• PLL UNIT (PLL-2)

Ref adjust 0% 0.52V
Ref adjust 100% 2.34V



Icom Inc.

1-1-32, Kamiminami, Hirano-ku, Osaka 547-0003, Japan
Phone : +81 (06) 6793 5302
Fax : +81 (06) 6793 0013
URL : <http://www.icom.co.jp/world/index.html>

Icom America Inc.

<Corporate Headquarters>
2380 116th Avenue N.E., Bellevue, WA 98004, U.S.A.
Phone : +1 (425) 454-8155 Fax : +1 (425) 454-1509
URL : <http://www.icomamerica.com>
E-mail : sales@icomamerica.com
<Customer Service>
Phone : +1 (425) 454-7619

Icom Canada

Glenwood Centre #150-6165
Highway 17 Delta, B.C., V4K 5B8, Canada
Phone : +1 (604) 952-4266 Fax : +1 (604) 952-0090
URL : <http://www.icomcanada.com>
E-mail : info@icomcanada.com

Icom (Australia) Pty. Ltd.

Unit 1 / 103 Garden Road, Clayton VIC 3168 Australia
Phone : +61 (03) 9549-7500 Fax : +61 (03) 9549-7505
URL : <http://www.icom.net.au>
E-mail : sales@icom.net.au

Icom New Zealand

146A Harris Road, East Tamaki,
Auckland, New Zealand
Phone : +64 (09) 274 4062 Fax : +64 (09) 274 4708
URL : <http://www.icom.co.nz>
E-mail : inquiries@icom.co.nz

Beijing Icom Ltd.

10C07, Long silver Mansion, No.88, Yong Ding
Road, Haidian District, Beijing, 100039, China
Phone : +86 (010) 5889 5391/5392/5393
Fax : +86 (010) 5889 5395
E-mail : bjicom@bjicom.com
URL : <http://www.bjicom.com>

Icom (Europe) GmbH

Communication Equipment
Auf der Krautweide 24
65812 Bad Soden am Taunus, Germany
Phone : +49 (6196) 76685-0 Fax : +49 (6196) 76685-50
URL : <http://www.icomeurope.com>
E-mail : info@icomeurope.com

Icom Spain S.L

Ctra. Rubi, No. 88 Bajos A 08174, Sant Cugat del Valles, Barcelona, Spain
Phone : +34 (93) 590 26 70 Fax : +34 (93) 589 04 46
URL : <http://www.icomspain.com>
E-mail : icom@icomspain.com

Icom (UK) Ltd.

Blacksole House, The Boulevard, Altira Business Park, Herne Bay, CT6 6GZ, UK
Phone : +44 (01227) 741741 Fax : +44 (01227) 741742
URL : <http://www.icomuk.co.uk>
E-mail : info@icomuk.co.uk

Icom France s.a.s.

Zac de la Plaine
1 Rue Brindejonc des Moulinais BP 5804
31505 Toulouse Cedex, France
Phone : +33 (5) 61 36 03 03 Fax : +33 (5) 61 36 03 00
URL : <http://www.icom-france.com>
E-mail : icom@icom-france.com

Asia Icom Inc.

6F No.68, Sec. 1 Cheng-Teh Road, Taipei, Taiwan, R.O.C.
Phone : +886 (02) 2559 1899 Fax : +886 (02) 2559 1874
URL : <http://www.asia-icom.com>
E-mail : sales@asia-icom.com

Icom Polska

81-850 Sopot, ul. 3 Maja 54, Poland
Phone : +48 (58) 550 7135 Fax : +48 (58) 551 0484
E-mail : icompolska@icompolska.com.pl

Count on us!

Icom Inc.

1-1-32, Kamiminami, Hirano-ku, Osaka 547-0003, Japan

S-14719XZ-C1
© 2011 Icom Inc.