



# SERVICE MANUAL

HF/ 50MHz ALL MODE TRANSCEIVER

# IC-703

---

---

---

---

---

## INTRODUCTION

This service manual describes the latest service information for the **IC-703** HF/50MHz ALL MODE TRANSCEIVER.

| MODEL  | VERSION | SYMBOL        |                 |
|--------|---------|---------------|-----------------|
|        |         | UT-106 option | UT-106 equipped |
| IC-703 | Europe  | EUR           | EUR-1           |
|        | France  | FRA           | FRA-1           |
|        | Spain   | ESP           | ESP-1           |
|        | U.S.A.  | USA           | USA-1           |
|        | Korea   | KOR           | KOR-1           |
|        | Other   | OTH           | OTH-1           |
|        | Italy   | ITR           | ITR-1           |

To upgrade quality, any electrical or mechanical parts and internal circuits are subject to change without notice or obligation.

## DANGER

**NEVER** connect the transceiver to an AC outlet or to a DC power supply that uses more than 16 V. This will ruin the transceiver.

**DO NOT** expose the transceiver to rain, snow or any liquids.

**DO NOT** reverse the polarities of the power supply when connecting the transceiver.

**DO NOT** apply an RF signal of more than 20 dBm (100 mW) to the antenna connector. This could damage the transceiver's front end.



## ORDERING PARTS

Be sure to include the following four points when ordering replacement parts:

1. 10-digit order numbers
2. Component part number and name
3. Equipment model name and unit name
4. Quantity required

### <SAMPLE ORDER>

1110004080 S.IC  $\mu$ PC2709T IC-703 MAIN UNIT 5 pieces  
8810009610 Screw FH M2.6x6 ZKIC-703 Top cover 10 pieces  
Addresses are provided on the inside back cover for your convenience.

## REPAIR NOTES

1. Make sure a problem is internal before disassembling the transceiver.
2. **DO NOT** open the transceiver until the transceiver is disconnected from its power source.
3. **DO NOT** force any of the variable components. Turn them slowly and smoothly.
4. **DO NOT** short any circuits or electronic parts. An insulated tuning tool **MUST** be used for all adjustments.
5. **DO NOT** keep power ON for a long time when the transceiver is defective.
6. **DO NOT** transmit power into a signal generator or a sweep generator.
7. **ALWAYS** connect a 50 dB to 60 dB attenuator between the transceiver and a deviation meter or spectrum analyzer when using such test equipment.
8. **READ** the instructions of test equipment thoroughly before connecting equipment to the transceiver.

---

## TABLE OF CONTENTS

---

|                   |                                    |        |
|-------------------|------------------------------------|--------|
| <b>SECTION 1</b>  | <b>SPECIFICATIONS</b>              |        |
| <b>SECTION 2</b>  | <b>INSIDE VIEWS</b>                |        |
| <b>SECTION 3</b>  | <b>CIRCUIT DESCRIPTION</b>         |        |
| 3 - 1             | RECEIVER CIRCUITS .....            | 3 - 1  |
| 3 - 2             | TRANSMITTER CIRCUITS .....         | 3 - 4  |
| 3 - 3             | PLL CIRCUITS .....                 | 3 - 7  |
| 3 - 4             | ANTENNA TUNER CIRCUITS .....       | 3 - 7  |
| 3 - 5             | POWER SUPPLY CIRCUITS .....        | 3 - 9  |
| 3 - 6             | CPU PORT ALLOCATIONS .....         | 3 - 9  |
| <b>SECTION 4</b>  | <b>ADJUSTMENT PROCEDURES</b>       |        |
| 4 - 1             | PREPARATION BEFORE SERVICING ..... | 4 - 1  |
| 4 - 2             | PLL ADJUSTMENTS .....              | 4 - 2  |
| 4 - 3             | TRANSMITTER ADJUSTMENTS .....      | 4 - 4  |
| 4 - 4             | RECEIVER ADJUSTMENTS .....         | 4 - 8  |
| 4 - 5             | SET MODE ADJUSTMENTS (No.1) .....  | 4 - 10 |
| 4 - 6             | PA UNIT ADJUSTMENTS .....          | 4 - 12 |
| 4 - 7             | SET MODE ADJUSTMENTS (No.2) .....  | 4 - 14 |
| <b>SECTION 5</b>  | <b>PARTS LIST</b>                  |        |
| <b>SECTION 6</b>  | <b>MECHANICAL PARTS</b>            |        |
| <b>SECTION 7</b>  | <b>SEMI-CONDUCTOR INFORMATION</b>  |        |
| <b>SECTION 8</b>  | <b>BOARD LAYOUTS</b>               |        |
| 8 - 1             | DISPLAY BOARD .....                | 8 - 1  |
| 8 - 2             | JACK BOARD .....                   | 8 - 1  |
| 8 - 3             | VR BOARD .....                     | 8 - 2  |
| 8 - 4             | MAIN UNIT .....                    | 8 - 3  |
| 8 - 5             | PA UNIT .....                      | 8 - 5  |
| <b>SECTION 9</b>  | <b>BLOCK DIAGRAM</b>               |        |
| <b>SECTION 10</b> | <b>WIRING DIAGRAM</b>              |        |
| <b>SECTION 11</b> | <b>VOLTAGE DIAGRAMS</b>            |        |
| 11 - 1            | FRONT UNIT .....                   | 11 - 1 |
| 11 - 2            | MAIN UNIT .....                    | 11 - 2 |
| 11 - 3            | PA UNIT .....                      | 11 - 7 |

# SECTION 1 SPECIFICATIONS

## ■ GENERAL

- Frequency coverage :
  - Receive 0.030 – 60.000 MHz\*
  - Transmit 1.800 – 1.999 MHz\*
  - 3.500 – 3.999 MHz\*
  - 7.000 – 7.300 MHz\*
  - 10.100 – 10.150 MHz
  - 14.000 – 14.350 MHz
  - 18.068 – 18.168 MHz
  - 21.000 – 21.450 MHz
  - 24.890 – 24.990 MHz
  - 28.000 – 29.700 MHz
  - 50.000 – 54.000 MHz\*

\*Depending on version.

- Mode : USB, LSB, CW, RTTY (FSK), AM, FM
- Number of memory ch. : 105 (99 regular, 6 scan edges)
- Antenna connector : SO-239/50 Ω (at antenna tuner off)
- Power supply requirement : 13.8 V DC ±15% (negative ground)
- Frequency stability :
  - Temp. fluctuations 0°C to +50°C (+32°F to +122°F)  
Less than ± 0.5 ppm.
  - Temp. fluctuations -10°C to +60°C (+14°F to +140°F)  
Less than ± 2.5 ppm.
- Frequency resolution :
  - General 10 kHz shift
  - Automatic 50 kHz shift
  - Fine Less than 2 Hz shift
- Current consumption :
  - Transmit 10 W : 3.0 A (at 13.8 V DC)
  - 5 W : 2.0 A (at 9.6 V DC)
  - Receive Standby : 300 mA (at 9.6 V DC)
  - AF output : 450 mA (at 9.6 V DC)\*<sup>1</sup>
  - AF output : 1.2 A (at 13.8 V DC)\*<sup>1</sup>
  - \*<sup>1</sup>with 10 % distortion
- Usable temperature range : -10°C to +60°C (+14°F to +140°F)
- Dimensions : 167(W) × 58(H) × 200(D) mm  
(projections not included) 6<sup>9</sup>/<sub>16</sub>(W) × 2<sup>9</sup>/<sub>32</sub>(H) × 7<sup>7</sup>/<sub>8</sub>(D) inch
- Weight : 2.0 kg (4 lb 7 oz)
- CI-V connector : 2-conductor 3.5 (d) mm (1/8")/8 Ω
- ACC connector : 13-pin

## ■ TRANSMITTER

- Output power :
  - 1.8–50 MHz band SSB/CW/RTTY/FM 0.1–10 W\*<sup>1</sup>
  - 0.1–5 W\*<sup>2</sup>
  - AM 0.1–4 W\*<sup>1</sup>
  - 0.1–2 W\*<sup>2</sup>
- \*<sup>1</sup>at 13.8 V DC power supply, \*<sup>2</sup>at 9.6 V DC power supply
- Modulation system :
  - SSB Balanced modulation
  - AM Low level modulation
  - FM Variable reactance modulation
- Spurious emissions :
  - Below 30 MHz Less than -50 dB
  - Above 30 MHz Less than -60 dB
- Carrier suppression : More than 40 dB
- Unwanted sideband supp. : More than 50 dB
- Microphone connector : 8-pin modular jack (600 Ω)
- KEY connector : 3-conductor 6.35 (d) mm (1/4")
- RTTY connector : 3-conductor 3.5 (d) mm (1/8")

## ■ RECEIVER

- Receive system : Double superheterodyne
- Intermediate frequencies : 1st IF; 64.455 kHz, 2nd IF; 455 kHz
- Receive sensitivity : (Pre-amp. is ON.)

| FREQUENCY                  | SSB/CW/RTTY | AM                  | FM      |
|----------------------------|-------------|---------------------|---------|
| 0.5 – 1.8 MHz              | —           | 13 μV* <sup>2</sup> | —       |
| 1.8 – 28 MHz* <sup>1</sup> | 0.16 μV     | 2 μV                | —       |
| 28 – 29.999 MHz            | 0.16 μV     | 2 μV                | 0.5 μV  |
| 50 MHz band                | 0.13 μV     | 1 μV                | 0.25 μV |

Note: SSB, CW and AM modes are measured at 10 dB S/N.  
FM mode are measured at 12 dB SINAD.

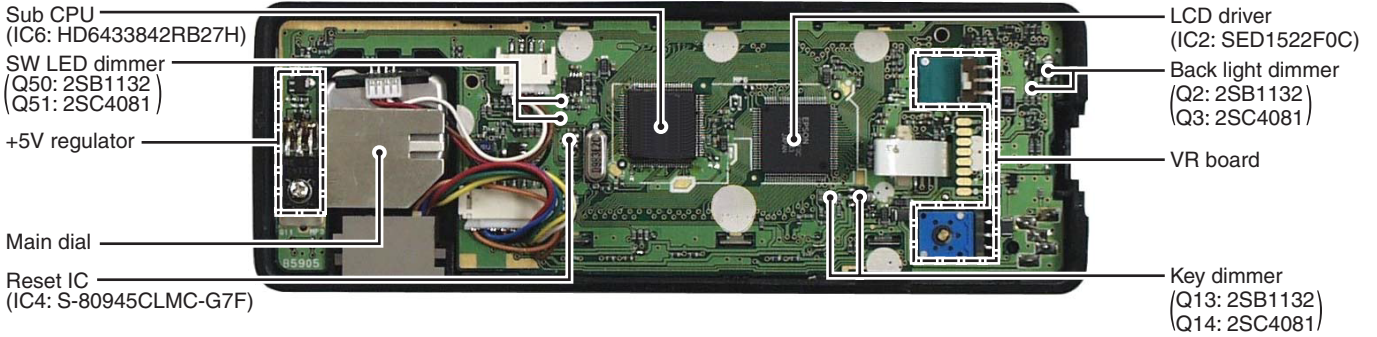
\*<sup>1</sup>Except 4–4.5 MHz, 8–9 MHz. \*<sup>2</sup>Pre-amp. is OFF.

- Squelch Sensitivity : (Pre-amp. is ON.)
  - AM, SSB, CW, RTTY Less than 5.6 μV
  - FM Less than 0.32 μV
- Selectivity\* (Typical) :
  - SSB, CW, RTTY More than 2.4 kHz/-6 dB  
Less than 4.0 kHz/-60 dB
  - AM, FM-N More than 9.0 kHz/-6 dB  
Less than 20 kHz/-50 dB
  - FM More than 15 kHz/-6 dB  
Less than 30 kHz/-50 dB
- \*Without an optional filter unit and with mid bandwidth selected.
- Spurious and image rejection ratio:
  - HF band More than 70 dB
  - 50 MHz band More than 65 dB (except IF through)
- Audio output power : More than 1.0 W at 10% distortion with an 8 Ω load, 13.8 V DC  
More than 5.0 W at 10% distortion with an 8 Ω load, 9.6 V DC
- RIT variable range : ± 9.99 kHz
- PHONES connector : 3-conductor 3.5 (d) mm (1/8")/8 Ω
- EXT SP connector : 2-conductor 3.5 (d) mm (1/8")/8 Ω

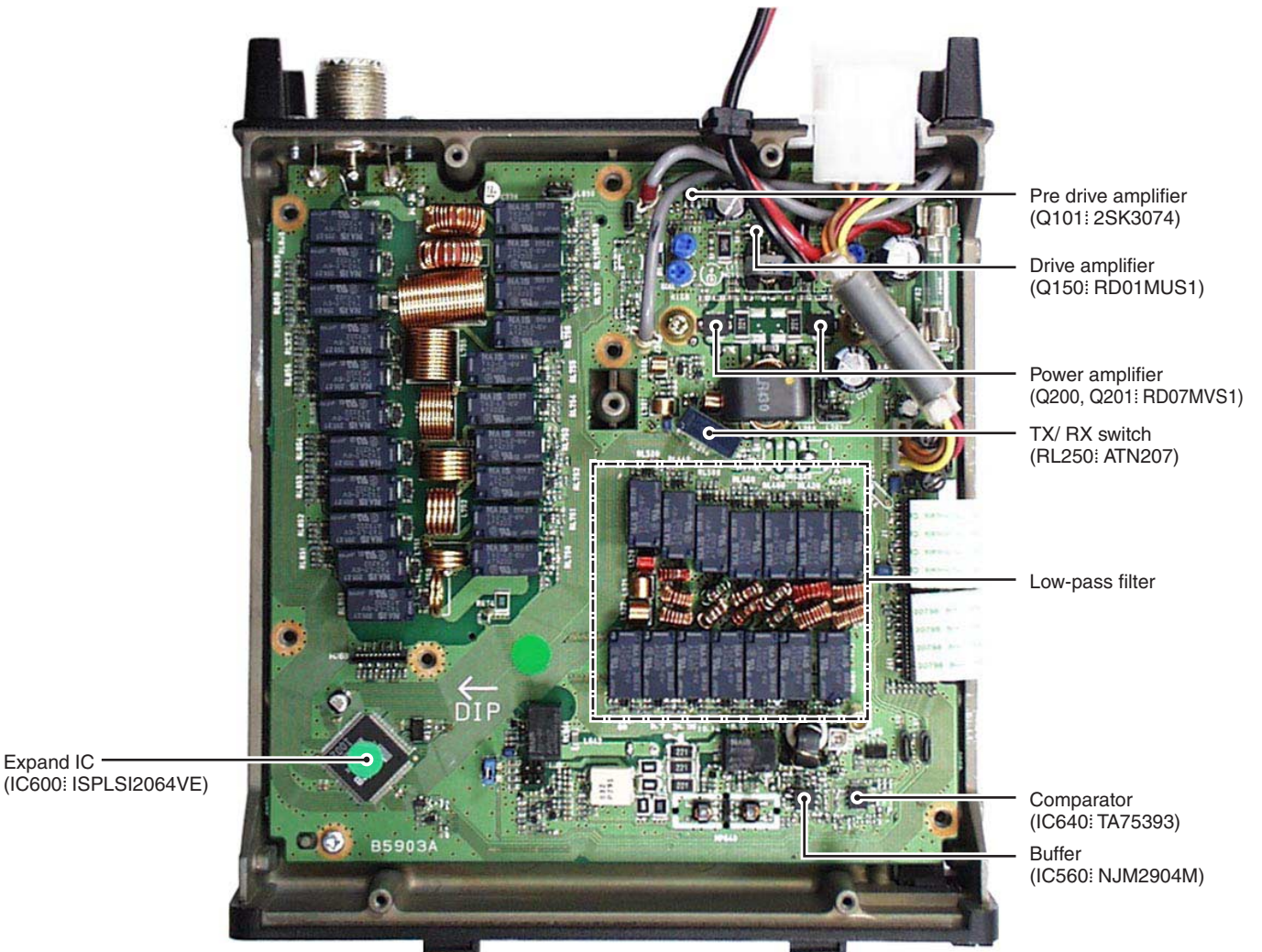
All stated specifications are subject to change without notice or obligation.

## SECTION 2 INSIDE VIEWS

### • DISPLAY BOARD

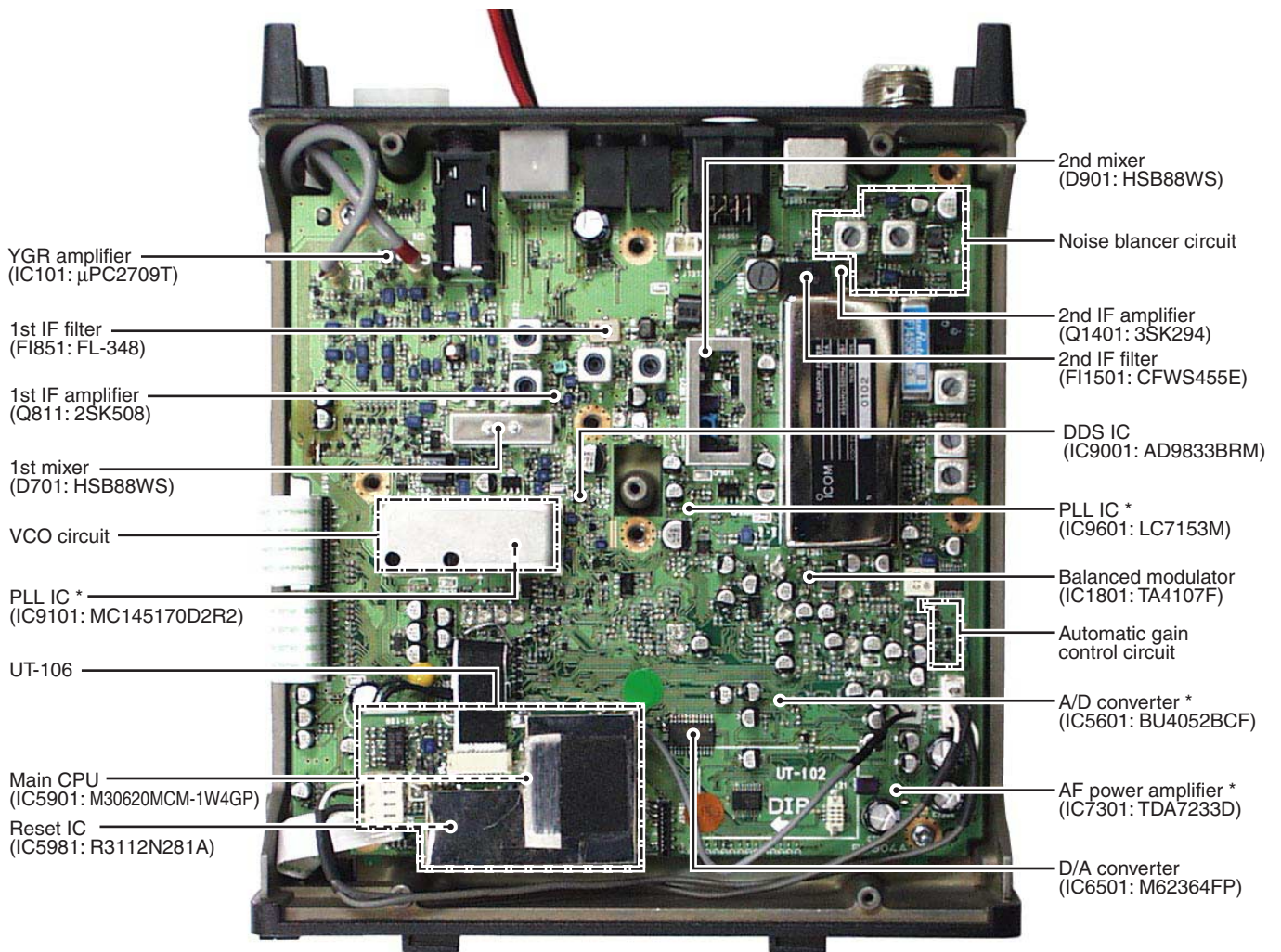


### • PA UNIT





• MAIN UNIT



\* Located under side of the point

# SECTION 3 CIRCUIT DESCRIPTION

## 3-1 RECEIVER CIRCUITS

### 3-1-1 RF CIRCUIT (PA AND MAIN UNITS)

HF/50 MHz RF filters pass only the desired band signals and suppress any undesired band signals. The HF/50 MHz RF circuit has 7 low-pass filters and 6 high-pass filters for specified band use.

HF/50 MHz RF signals from the [ANT] connector, pass through one of 7 low-pass filters as below, the transmit/receive switching relay (PA unit; RL250) and low-pass filter (PA unit; L300, L301, C304–C308), and are then applied to the MAIN unit via J300 (PA unit).

#### • Used RF low-pass filter (MAIN unit)

| Frequency (MHz) | Control signal | Entrance coil | Frequency (MHz) | Control signal | Entrance coil |
|-----------------|----------------|---------------|-----------------|----------------|---------------|
| 0.03–2 MHz      | F1             | RL401         | 15–22 MHz       | F5             | RL481         |
| 2–4 MHz         | F2             | RL421         | 22–30 MHz       | F6             | RL501         |
| 4–8 MHz         | F3             | RL441         | 30–60 MHz       | F7             | RL521         |
| 8–15 MHz        | F4             | RL461         |                 |                |               |

The signals from the PA unit are applied to or bypass the 20 dB attenuator (MAIN unit; R2, R3). The signals pass through the high-pass filter (MAIN unit; L301–L303, C301–C303) to suppress strong signals above 1.6 MHz and are then applied to the HPF section.

#### (1) 0.03–2 MHz and 30–40 MHz

The signals pass through a low-pass filter (L304, L305, C306–C310), and then applied to the preamplifier circuit on the MAIN unit.

#### (2) 2–30 MHz

The signals from the low-pass filter (L304, L305, C306–C310) are applied to one of 5 high-pass filters as at right above and are then applied to the preamplifier circuit on the MAIN unit.

#### (3) 40–60 MHz

The signals pass through the high-pass filter (L502–L504, C501–C505) and the low-pass filter (L501, L506–L508 C506–C513), and are then applied to the preamplifier circuit on the MAIN unit.

#### • Used RF high-pass filter (MAIN unit)

| Frequency (MHz) | Control signal | Entrance coil | Frequency (MHz) | Control signal | Entrance coil |
|-----------------|----------------|---------------|-----------------|----------------|---------------|
| 0.03–2 MHz      | BTHH           | D541          | 15–22 MHz       | B5H            | D581          |
| 2–4 MHz         | B2H            | D551          | 22–30 MHz       | B6H            | D591          |
| 4–8 MHz         | B3H            | D561          | 30–40 MHz       | BTHH           | D541          |
| 8–15 MHz        | B4H            | D571          | 40–60 MHz       | B7RH           | D501          |

### 3-1-2 PREAMPLIFIER CIRCUIT (MAIN UNIT)

The preamplifier circuit in the IC-703 has approx. 15dB gain over a wide-band frequency range.

When the preamplifier is turned ON, the signals from the RF circuit are applied to the preamplifier (Q651) via D622 or D632. Amplified or bypassed (passes through the D601 and D602 when bypassed) signals are applied to the 1st mixer circuit (D701).

### 3-1-3 1ST MIXER CIRCUIT (MAIN UNIT)

The 1st mixer circuit mixes the receive signals with the 1st LO signal to convert the receive signal frequencies to a 64.455 MHz 1st IF signal.

The signals from the preamplifier circuit, or signals which bypass the preamplifier, are passed through a low-pass filter (L681–L683, C681–C687) and then applied to the 1st mixer (D701).

The 1st LO signal (one of the 64.485–124.455 MHz) is amplified at Q751, filtered by a low-pass filter (L753, C756–C759), passed through the attenuator (R771–R773), and then applied to the 1st mixer.

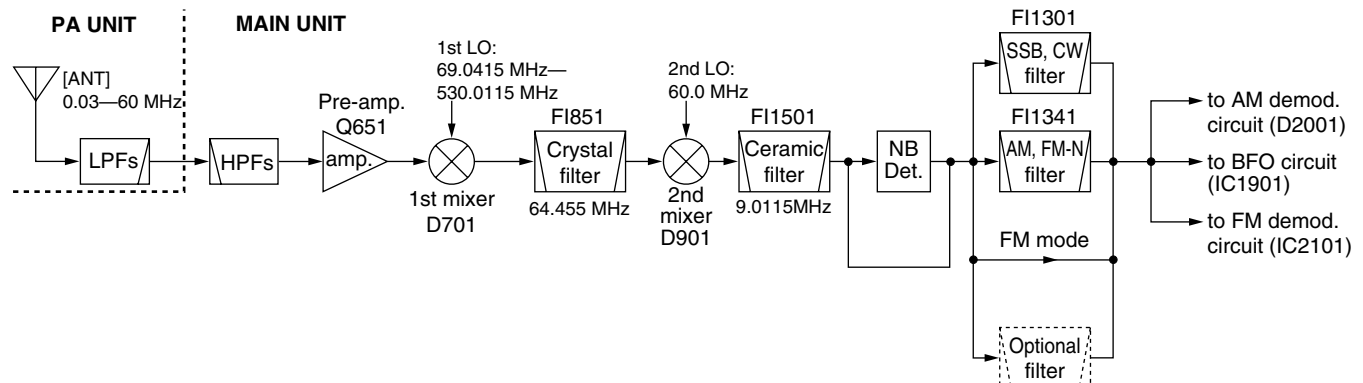
### 3-1-4 1ST IF CIRCUIT (MAIN UNIT)

The 1st IF circuit filters and amplifies the 1st IF signals. The 1st IF signals are applied to a Crystal Filter (F1851) to suppress out-of-band signals.

The 64.445 MHz 1st IF signals pass through the crystal filter (F1851). Then the filtered signals are applied to the IF amplifier (Q881).

The AGC voltage is supplied to the Q881's gate to obtain stable signal for AGC operation.

## • 2ND IF AND DEMODULATOR CIRCUIT



The amplified signals are then applied to the 2nd mixer circuit (D901).

### 3-1-5 2ND MIXER CIRCUIT (MAIN UNIT)

The 2nd mixer circuit mixes the 1st IF signals and 2nd LO signal (64 MHz) to convert the 1st IF to a 2nd IF.

The 1st IF signals from the 1st amplifier (Q881) are converted to 455 kHz 2nd IF signals at the 2nd mixer circuit (D901).

The 2nd IF signals are applied to the bandpass filter (FI1501) to suppress undesired signals, such as the 2nd LO signal, and are then applied to the noise amplifier (Q1053).

### 3-1-6 NOISE BLANKER CIRCUIT (MAIN UNIT)

The noise blanker circuit detects pulse type noise, and turns OFF the signal line when noise appears.

A portion of the signals from FI1501 are amplified at the noise amplifiers (Q1051–Q1053), then detected at the noise detector (D1002) to convert the noise components to DC voltages.

The converted voltages are then applied to the noise blanker gate (Q1002, Q1003, Q1402) by applying reverse-biased voltage.

The detected voltage from Q1002 is also applied to the noise blanker AGC circuit (Q1004, Q1005) and is then fed back to the noise amplifier (Q1051–Q1053) as a bias voltage. The noise AGC circuit prevents closure of the noise blanker gate for long periods by non-pulse-type noise.

The 2nd IF signals from the noise blanker gate are then applied to the 2nd IF circuit.

### 3-1-7 2ND IF CIRCUIT (MAIN UNIT)

The 2nd IF circuit amplifies and filters the 2nd IF signals.

The 2nd IF signals from the ceramic bandpass filter (FI1501) are amplified at the IF amplifier (IC1401) and applied to a 2nd IF filter as shown right column via the Tx/Rx switch (D1402).

### • Used 2nd IF filter

| Mode                     | Used filter                | Control signal |
|--------------------------|----------------------------|----------------|
| SSB, CW, RTTY<br>AM nar. | FL-65 (FI1301)             | 2F23           |
| AM, FM nar.              | FL-94 (FI1341)             | 2F80           |
| FM                       | Bypassed                   | 2FTH           |
| SSB nar.                 | Optional FL-222            | 2FOP           |
| CW nar., RTTY nar.       | Optional FL-52A,<br>FL-53A | 2FOP           |
| SSB wide                 | Optional FL-257            | 2FOP           |

The filtered or bypassed signals are applied to the 2 amplifiers (Q1101, Q1201) and buffer amplifier (Q1251) to obtain a detectable level at the demodulator circuit

The amplified signals from the buffer amplifier (Q1251) are shared between the SSB/CW/RTTY detector (IC1901), AM detector (D2001), FM detector (IC2101) and AGC detector (D2501).

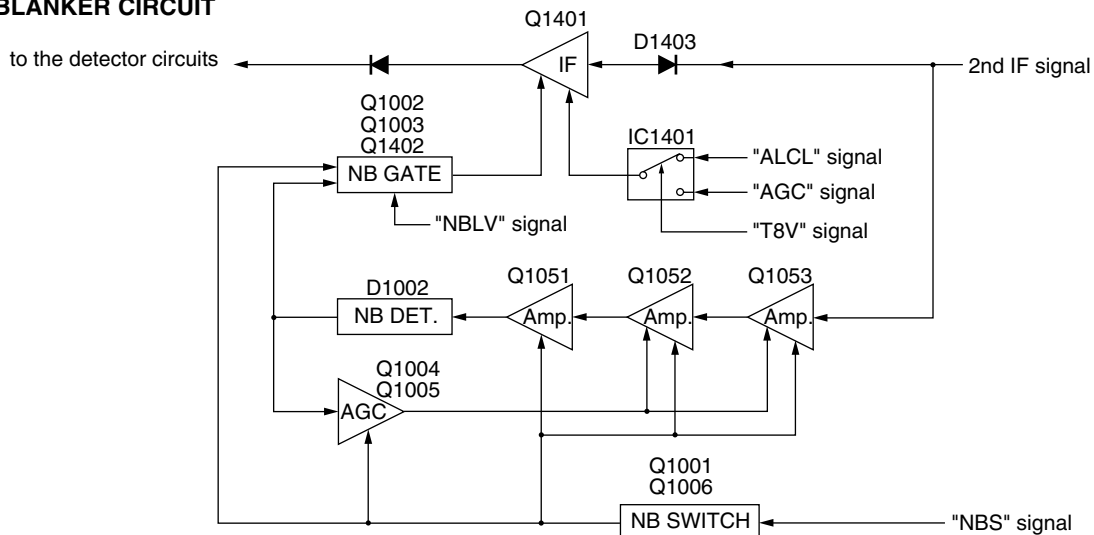
### 3-1-8 IF SHIFT CIRCUIT (MAIN UNIT)

The IF shift circuit shifts the center frequency of IF signals to electronically shift the center frequency.

The IF shift circuit shifts the 1st LO and BFO within  $\pm 1.2$  kHz in SSB/CW/RTTY modes or  $\pm 250$  Hz in CW-N/RTTY-N modes. As a result, the 2nd IF (also 1st IF) is shifted from the center frequency of the 2nd IF filter (FI1301, FI1341 or optional IF filters). This means 2nd IF signals do not pass through the center of the 2nd IF filter. Therefore, the higher or lower frequency components of the IF are cut out. Since the BFO frequency is also shifted the same value as the 1st IF, frequency is corrected at the detector.

In the IC-703, the 1st LO frequency is shifted to change the 2nd IF because a fixed 2nd LO frequency (64 MHz) is used. The 1st IF filter (FI1301) and 2nd IF filter (FI1501) have 15 kHz pass-band widths, and do not affect IF shift operation.

### • NOISE BLANKER CIRCUIT





### 3-1-9 AGC CIRCUIT (MAIN UNIT)

The AGC (Automatic Gain Control) circuit reduces IF amplifier gain to keep the audio output at a constant level. The receiver gain is determined by the voltage on the AGC line (Q2503).

The 2nd IF signal from the buffer amplifier (Q1251) is detected at the AGC detector (D2501) and applied to the AGC amplifier (Q2501). Q2501 sets the receiver gain with the [RF/SQL] control via the "RFGV" signal line.

When receiving strong signals, the detected voltage increases and the AGC voltage decreases via the DC amplifier (Q2503). The AGC voltage is used for IF amplifiers (Q881, Q1401) to attenuate the received signals.

When AGC slow is selected, C2505 and R2506 are connected in parallel to obtain appropriate AGC characteristics.

The AGC signal is also applied to the meter amplifier (IC2401), and is then applied to the main CPU (IC5901) to use the S-meter as "SML" signal.

### 3-1-10 S-METER CIRCUIT (MAIN UNIT)

The S-meter circuit indicates the relative received signal strength while receiving by utilizing the AGC voltage which changes depending on the received signal strength.

The output voltage of the meter amplifier (IC2401, pin 7) is applied to the main CPU (IC5901) as an S-meter signal via the A/D converter (IC5601) as the "SML" signal.

The S-meter signal from the main CPU (IC5901) is applied to the sub CPU, and is then displayed on the S-meter read-out.

### 3-1-11 SQUELCH CIRCUIT (MAIN UNIT)

The squelch circuit mutes audio output when the S-meter signal is lower than the [RF/SQL] control setting level.

In SSB/CW/RTTY modes, the S-meter signal is applied to the main CPU (IC5901, pin 36) and is compared with the threshold level set by the [RF/SQL] control. The [RF/SQL] setting is picked up at the sub CPU (DISPLAY board; IC6, pin 97). The main CPU compares the S-meter signal and [RF/SQL] setting, and controls the AF selector switch (IC2301) to cut out AF signals.

In FM mode, a portion of the AF signals from the FM IF IC (IC2101, pin 9) are applied to the active filter section (pin 8) where noise components above 20 kHz are amplified. The signals are rectified at the noise detector section and then output from pin 14. The noise squelch signal from pin 14 is applied to the main CPU (IC5901, pin 31) via the A/D converter (IC5601, pin 11) as the "NSQL" signal. The CPU then controls the AF selector switch (IC2301).

### 3-1-12 DEMODULATOR CIRCUITS (MAIN UNIT)

#### (1) SSB/CW/RTTY modes

The 2nd IF signals from the buffer amplifier (Q1251) are mixed with the BFO signal from the PLL circuit at the SSB detector (IC1901, pins 3, 6). The detected AF signals from IC1901 (pin 1) are applied to the AF selector switch (IC2301, pin 12) via the "SSAF" signal.

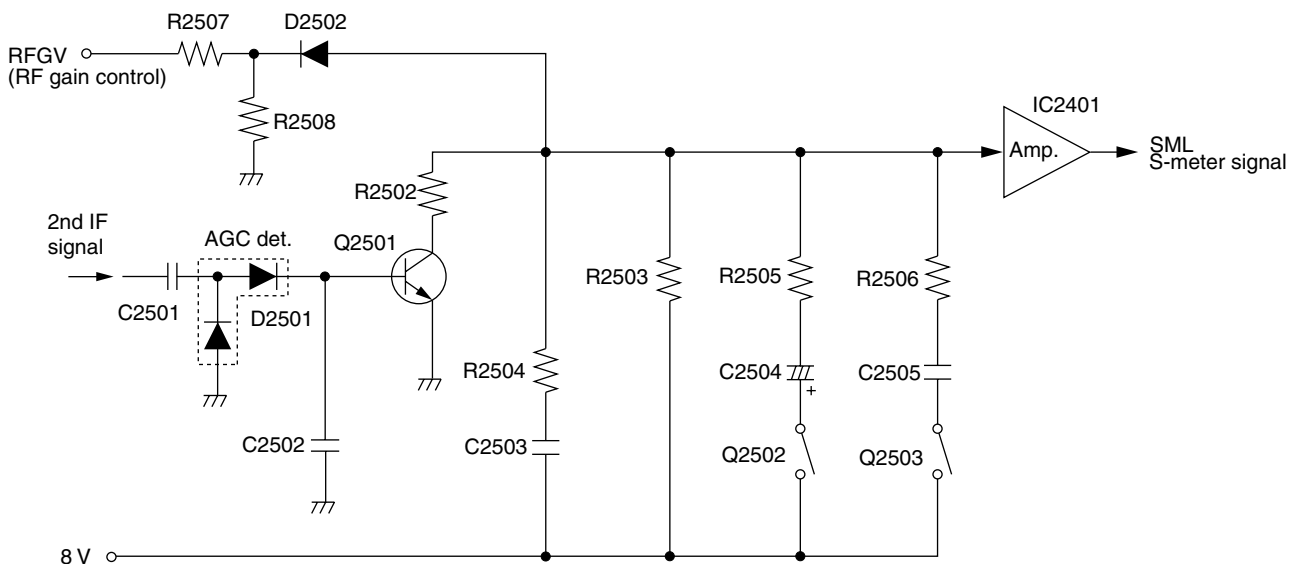
#### (2) AM mode

The 2nd IF signals from the buffer amplifier (Q1251) are detected at the AM detector (D2001). The detected AF signal is applied to the AF selector switch (IC2301, pin 12) via the "AMAF" signal.

#### (3) FM/FM NARROW modes

The 2nd IF signals from the buffer amplifier (Q1251) are applied to the FM IF IC (IC2101, pin 5) where the IF signals are converted into 455 kHz IF signals. The signals are applied to the quadrature detector section. X2101 is used for quadrature detector. The detected AF signals from pin 9 pass through the de-emphasis circuit (IC2401), and are then applied to the AF selector switch (IC2301, pin 14) via the "FMAF" signal.

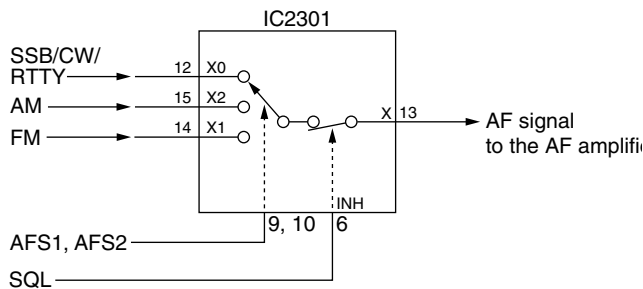
### • AGC CIRCUIT



### 3-1-13 AF SELECTOR SWITCH (MAIN UNIT)

The AF signals from one of the detector circuits are applied to the AF selector switch (IC2301). IC2301 consists of dual 3-channel analog switches which are selected with a mode signal and the squelch control signal.

#### • AF SELECTOR SWITCH



### 3-1-14 AF AMPLIFIER CIRCUIT (MAIN UNIT)

The AF amplifier amplifies the demodulated signal to a suitable driving level for the speaker.

The AF signals from the AF selector switch (MAIN unit; IC2301) pass through the 3 kHz low-pass filter (IC2401), and are then applied to the DSP switch (IC2461, pin 6) which mutes the beep sound when DSP unit's power ON or OFF.

The AF signals are applied to the VCA (Voltage Controlled Amplifier) circuit (IC7201). The AF gain setting from the main CPU is converted to DC voltage at the D/A converter (IC6501) and applied to the VCA control terminal (IC7201) via the "AFGV" signal line.

The CW side tone/beep tone ("BEEP" signal from the buffer amplifier IC7001, pin 8) and optional synthesized voice ("SPCH" signal from the UT102) are also applied to the VCA circuit.

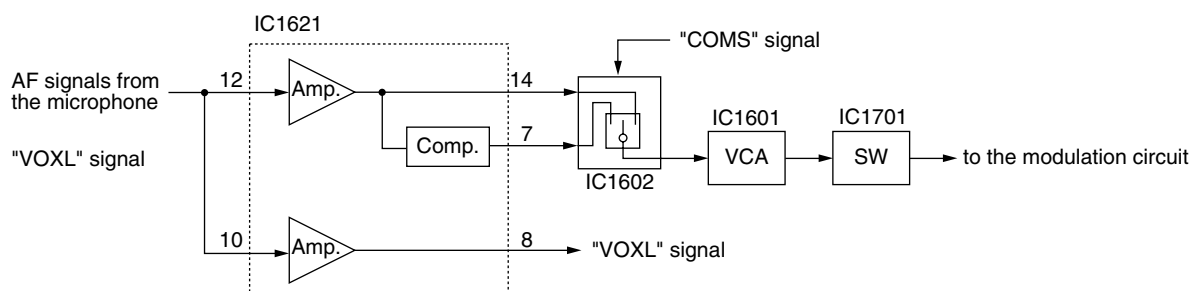
The output AF signals from IC7201 (pin 9) are power-amplified at IC7301 to drive the speaker, and are then applied to the speaker (CHASSIS unit; SP1) via J7372.

## 3-2 TRANSMITTER CIRCUITS

### 3-2-1 MICROPHONE AMPLIFIER CIRCUIT (MAIN UNIT)

The microphone amplifier circuit amplifies microphone input signals and outputs the amplified signals to the balanced modulator or FM modulation circuit.

#### • MICROPHONE AMPLIFIER CIRCUIT



Audio signals from the front or rear panel [MIC] connector enter the microphone amplifier IC (IC1621, pin 12) and are then amplified at the microphone amplifier or speech compressor section via the R1621.

The amplified or compressed signals are applied to the VCA section of IC1601. The microphone gain setting from the D/A converter (IC6501, pin 11) is applied to the VCA control terminal (IC1601, pin 8). The resulting signals from pin 9 are then applied to the buffer amplifier (Q1721) via the analog switch (IC1701). External modulation input from the [ACC] socket (J6951, pin 11) is also applied to Q1721.

While in SSB mode, the amplified signals from the buffer amplifier (Q1721) are passed through the AF selector switch (IC1751) and are then applied to the balanced modulator (IC1801).

While in AM/FM mode, the amplified signals from the buffer amplifier (Q1721) are applied to the IDC amplifier (IC2201). The signals are then applied to the AF selector switch (IC1751) via the AM depth controller (R2618) in AM mode or to the varactor diode (D9622) via the FM max deviation controller (R2621) and AF selector switch (IC2651) in FM mode.

### 3-2-2 VOX CIRCUIT (MAIN UNIT)

The VOX (Voice-Operated-Transmission) circuit sets transmitting conditions according to voice input.

When the VOX function is activated, the microphone signals are amplified at microphone amplifier (IC1621, pin 10), and are then applied to the VOX comparator section in the main CPU (IC5901, pin 93) via the "VOXL" line.

A portion of the power amplified AF signals from the AF power amplifier (IC7301) are amplified at the buffer amplifier (IC7001, pin 13) and applied to the anti-VOX comparator section in the main CPU (IC5901, pin 92) via the "AVXL" line.

Then the main CPU compares these and controls the transmitter circuit.

### 3-2-3 BALANCED MODULATOR (MAIN UNIT)

The balanced modulator converts the AF signals from the microphone amplifier to a 9 MHz IF signal with a BFO (Beat Frequency Oscillator) signal.

Microphone signals from the AF selector switch (IC1751) are applied to the balanced modulator (IC1801, pin 3). The BFO signal is applied to IC1801 (pin 1) as a carrier signal.

IC1801 is a double balanced mixer IC and outputs a double side band (DSB) signal with -40 dB of carrier suppression. R1803 and R1807 adjust the balanced level of IC1801 for maximum carrier suppression. The resulting signal passes through a 9 MHz IF filter (F11301 in SSB/CW/RTTY modes) to suppress unwanted side-band signals.

In AM mode, R1811 is connected to upset the balance of IC1801 via Q1803 for leaking the BFO signal as a carrier signal. The CW keying/RTTY TX signal is applied to IC1801 pin 3.

### 3-2-4 FM MODULATION CIRCUIT (MAIN UNIT)

The microphone signals from Q1721 are applied to the IDC amplifier (IC2201, pin 5). The sub-audible tone signal (67.0-254.1 Hz) from the main CPU (IC5901, pin 2) is also applied to the same amplifier (IC2201, pin 2) for repeater use.

The resulting signals are applied to the VCO circuit (Q9621, D9621) via IC2651 to change the reactance of the varactor diode (D9622) for FM modulation. The modulated signal is amplified at the buffer amplifier (Q9651).

### 3-2-5 TRANSMITTER IF CIRCUIT (MAIN UNIT)

The 9 MHz IF signal from the modulation circuit passes through the 9 MHz IF filter (F11301 in SSB/CW/RTTY modes; F11341 in AM/FM-N modes; through in FM mode). The signal is amplified at Q1401, and then passes through the crystal filter (F11501). The signal is then applied to the 2nd mixer (D901).

The signal is mixed with the 2nd LO signal (60 MHz) and converted to a 69 MHz IF signal at the 2nd mixer (D901). The 69 MHz IF signal passes through a bandpass filter (F1851), IF amplifier (Q831), and is then converted to the displayed frequency at the 1st mixer (D701) with the 1st LO signal. The mixers (D701) and bandpass filter (F1851) are used commonly for both receiving and transmitting.

### 3-2-6 RF CIRCUIT (MAIN AND PA UNITS)

The RF circuit amplifies the displayed frequency signal to obtain 10 W of RF output power for HF/50 MHz bands.

The HF/50 MHz RF signals from the 1st mixer (D701) via the low-pass filter pass through one of 8 high-pass filters (Refer to page 3-1 for used RF high-pass filter). The 50 MHz RF signals pass through a low-pass filter additionally. The filtered signals pass through the low-pass filter (except 50 MHz), are then amplified at the YGR amplifier (IC101) after being passed through the high-pass filter to cut the unwanted signal below 1.6 MHz, and are then applied to the PA unit.

The signals from IC101 enter the PA unit and is amplified at the pre drive and power amplifiers (Q101, Q150, Q200 and Q201) to obtain a stable 10 W of RF output power in sequence. The amplified signals are applied to the band switch (RL250).

The power-amplified signals from the band switch (RL250) are then applied to the [ANT] connector via one of the 7 low-pass filters.

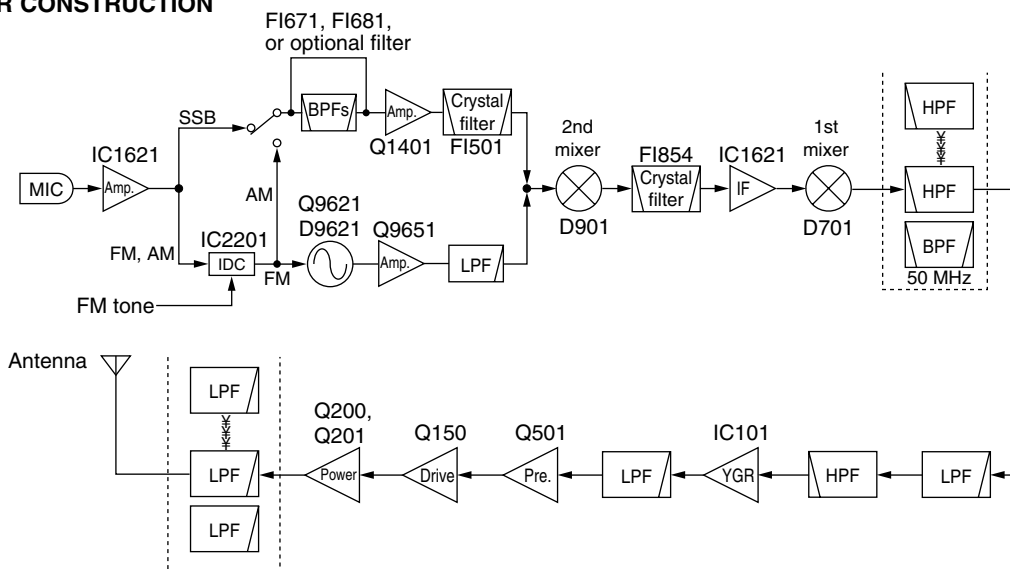
### 3-2-7 ALC CIRCUIT (PA AND MAIN UNITS)

The ALC (Automatic Level Control) circuit reduces the gain of IF amplifiers in order for the transceiver to output a constant RF power set by the RF power setting even when the supplied voltage shifts, etc.

The HF/50 MHz RF power signal level is detected at the power detector (D562, D563), buffer-amplified at IC560 and applied to the MAIN unit as the "FORL" voltage.

The "FORL" voltage is applied to the ALC amplifier (MAIN unit; IC2701, pin 2). The "POCV" voltage from the D/A converter (MAIN unit; IC6501, pin 23), determined by the RF power setting, is applied to the same amplifier (MAIN unit; IC2701, pin 3) as the reference voltage.

## • TRANSMITTER CONSTRUCTION



When the "FORL" voltage exceeds the "POCV" voltage, ALC bias voltage from IC2701 (pin 1) controls 1st and 2nd IF amplifiers (Q831, Q1401). This adjusts the output power to the level determined by the RF power setting until the "FORL" and "POCV" voltages are equalized.

In AM mode, IC2701 operates as an averaging ALC amplifier with Q2703. Q2703 turns ON and the "POCV" voltage is shifted for 4 W AM output power.

The ALC bias voltage from IC2701 is also applied to the main CPU (IC5901) via the A/D converter (IC5601) as the "ALCL" voltage for ALC meter indication.

An external ALC input (minus voltage) from the [ACC] socket (pin 6) is shifted to plus voltage at D2781 and is applied to the buffer amplifier (Q2781). External ALC operation is identical to that of the internal ALC.

### 3-2-8 APC CIRCUIT (MAIN UNIT)

The APC (Automatic Power Control) circuit protects the power amplifiers on the PA unit from high SWR and excessive current for the HF/50 MHz band.

The reflected wave signal appears and increases on the antenna connector when the antenna is mismatched. The HF/50 MHz reflected signal level is detected at D561 (PA unit), and is amplified at the APC amplifier (IC2701) and applied to the ALC circuit as the reference voltage.

For the current APC, the driving current at the power amplifier is detected in the voltages ("IDH" and "IDL") which appear at both terminals of a 0.012 Ω resistor (R216) on the PA unit. The detected voltages are applied to the differential amplifier (IC2701, pins 9, 10). When the current of the power amplifier exceeds allowed current, IC2701 controls the ALC line via IC2701 to prevent excessive current flow.

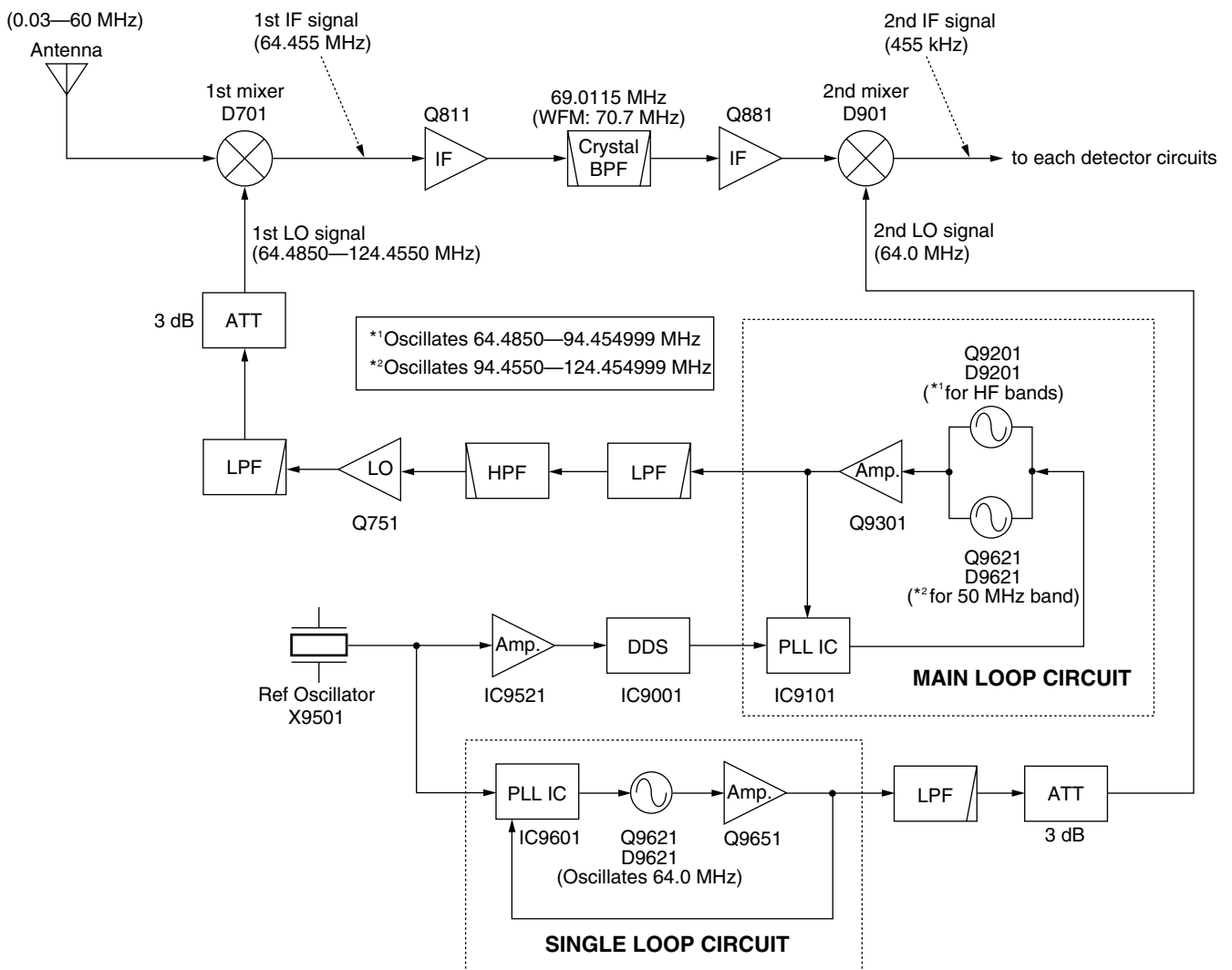
### 3-2-9 RF, ALC, SWR METER CIRCUITS (MAIN UNIT)

While transmitting, RF, ALC or SWR meter readings are available and can be selected with the [MET] switch.

#### (1) Power meter

The "FORL" voltage is applied to the main CPU (IC5901) via the A/D converter (IC5601, pin 12) for indicating the output power.

### • FREQUENCY CONSTRUCTION



### **(2) ALC meter**

The ALC bias voltage from IC2701 pin 14 is applied to the main CPU (IC5901) via the "ALCV" signal line for indicating the ALC level.

### **(3) SWR meter**

The "FORL" and "REFL" voltages are applied to the main CPU (IC5901) via the A/D converter (IC5601, pins 12 and 1) respectively. The main CPU compares the ratio of "FORV" to "REFV" voltage and indicates the SWR for the [ANT] connector.

## **3-3 PLL CIRCUITS**

### **3-3-1 GENERAL**

The PLL circuits generate a 1st LO frequency (64.485–124.455 MHz), a 2nd LO frequency (64 MHz), a BFO frequency (455 kHz).

The 1st LO PLL circuit adopts a mixer-less dual loop PLL system and has 2 VCO circuits. The BFO uses a DDS and the 2nd LO uses a 64 MHz fixed frequency.

### **3-3-2 1ST LO PLL CIRCUIT (MAIN UNIT)**

The 1st LO PLL contains a main loop and reference loop forming a dual loop system.

The reference loop generates a 6.5 MHz frequency using a DDS circuit, and the main loop generates a 64.485 to 124.455 MHz frequency using the reference loop frequency.

#### **(1) REFERENCE LOOP PLL**

The oscillated signal at the reference passes through the low-pass filter (L9521, L9523, C9521–C9526), and is then amplified at the amplifier (IC9521). The amplified signal is applied to the DDS IC (IC9001, pin 5) via the low-pass filters (L9524, L9525, C9528–C9530, L9021, L9022, C9023–C9025). The signal is then divided and detected on phase with the DDS generated frequency.

The detected signals output from IC9001 (pin 10) are amplified at the buffer amplifier (Q9051), and then pass through the band-pass filter (L9051–L9053, C9053–C9056) to suppress spurious components. The signal is applied to the PLL IC (IC9101, pin 1) as PLL lock voltage.

#### **(2) MAIN LOOP PLL**

The oscillated signal at one of the main loop VCOs (HF: Q9201, 50 MHz; Q9251) is amplified at the buffer amplifier (Q9301) and is then applied to the PLL IC (IC9101, pin 4). The signal is then divided and detected on phase with the reference loop output frequency.

The detected signal output from the PLL IC (IC9101, pin 13) is converted into a DC voltage (lock voltage) at the active loop filter and then fed back to one of the varactor diodes (D9201, D9251) in the VCO circuits

The oscillated signal passes through a low-pass and high-pass filters, and is then applied to the 1st mixer (D701) as a 1st LO signal.

### **3-3-3 2ND LO AND REFERENCE OSCILLATOR CIRCUITS (MAIN UNIT)**

The reference oscillator (IC9601, Q9621, X9501) generates a 64 MHz frequency used for the 2nd LO signal.

The oscillated signal is amplified at the buffer amplifier (Q9651), and is then passed through the low-pass filter (L9672, C9673, C9675) to suppress the high harmonics components. The filtered 64 MHz signal is applied to the 2nd mixer (D901) via the 3 dB attenuator (R9672–R9674) as a 2nd LO signal.

### **3-3-4 BFO CIRCUIT (MAIN UNIT)**

The DDS IC (IC9701) generates a 455 kHz BFO signal. The signal is passed through the low-pass filter (L9751, C9753, C9754, C9756) to suppress high harmonics components. The 455 kHz BFO signal is then applied to the SSB detector (IC1901, pin 3) and SSB modulator (IC1801, pin 1) via the "BFO" signal line.

While transmitting in RTTY mode, the RTTY keying signal is applied to IC9701 to shift the generated frequency and to obtain 2 frequencies for FSK operation.

CW receiving pitch control, RTTY receiving tone, RTTY transmitting mark are controlled by changing BFO frequency.

## **3-4 ANTENNA TUNER CIRCUITS**

### **3-4-1 ANTENNA MATCHING NETWORK CIRCUIT (PA UNIT)**

The antenna tuner circuit consists of the antenna matching network circuit, SWR detector circuit, impedance detector circuit, phase detector circuit, etc.

When antenna tuning is ON, the antenna matching network circuit switches ON via the RL640 and RL641.

The attenuator's impedance is set to 50  $\Omega$  which is same as power amplifier's output impedance. The attenuator's input impedance is about SWR 1, however its output impedance changes variably. Therefore, attenuator's output impedance is matched to the antenna to become about SWR 1, then impedance matching is depended on input impedance. The antenna matching network circuit switches OFF via the RL640 and RL641 when the impedance is matched between the output impedance and antenna.

The antenna matching network circuit is composed between RL640 and RL641. Therefore, each detecting circuits work when antenna tuning is ON only. Thus, There isn't influence about loss of each detecting circuits when antenna tuning is OFF. In addition, the output power from the power amplifier (Q200, Q201) is applied to the this circuit as low power via the attenuator. Therefore, the output power doesn't effect to interference while impedance tuning.



### 3-4-2 OUTPUT POWER DETECTING CIRCUIT (PA UNIT)

The output power from the power amplifier (Q200, Q201) is divided at the C640 and C641. The divided voltage is applied to the power detecting circuit (D640) as detecting voltage. The detected voltage is applied to the main CPU (MAIN unit; IC5901) via the A/D convertor (MAIN unit; IC5601) as "TPZL" signal after being passed through the switch circuit (IC641, Q646).

### 3-4-3 IMPEDANCE DETECTING CIRCUIT (PA UNIT)

The output power from the power amplifier (Q200, Q201) is applied to the RL640. The signal is applied to the power detector (D640), and is then applied to the main CPU (MAIN unit; IC5901) as the reference voltage. The voltage is also used for power detecting voltage when the antenna tuning is ON.

The attenuator's output voltage is depended on the condition between power amplifier's output impedance and the antenna (For example, the voltage becomes high when the impedance is high, the vorage becomes low when the impedance is low). The voltage is amplified at the Q641, and is then detected at the impedance detector (D646). The signal is applied to the main CPU (MAIN unit; IC5901) to analyze whether the impedance is more than 1.1 or not.

### 3-4-4 PHASE DETECTING CIRCUIT (PA UNIT)

The phase detecting circuit is composed D643, L640 and L641. The input side signal passes through the C646 to shift the phase for +90 degrees. The signal is applied to the phase detecting circuit (L640).

The output side signal is applied to the amplifiers (Q643, Q811). The amplified signal is applied to the phase detecting circuit (L641).

The detected signal is applied to the comparator circuit (IC640, pin 2), and is then applied to the main CPU (MAIN unit; IC5901, pin 75) via the "TPHK" signal.

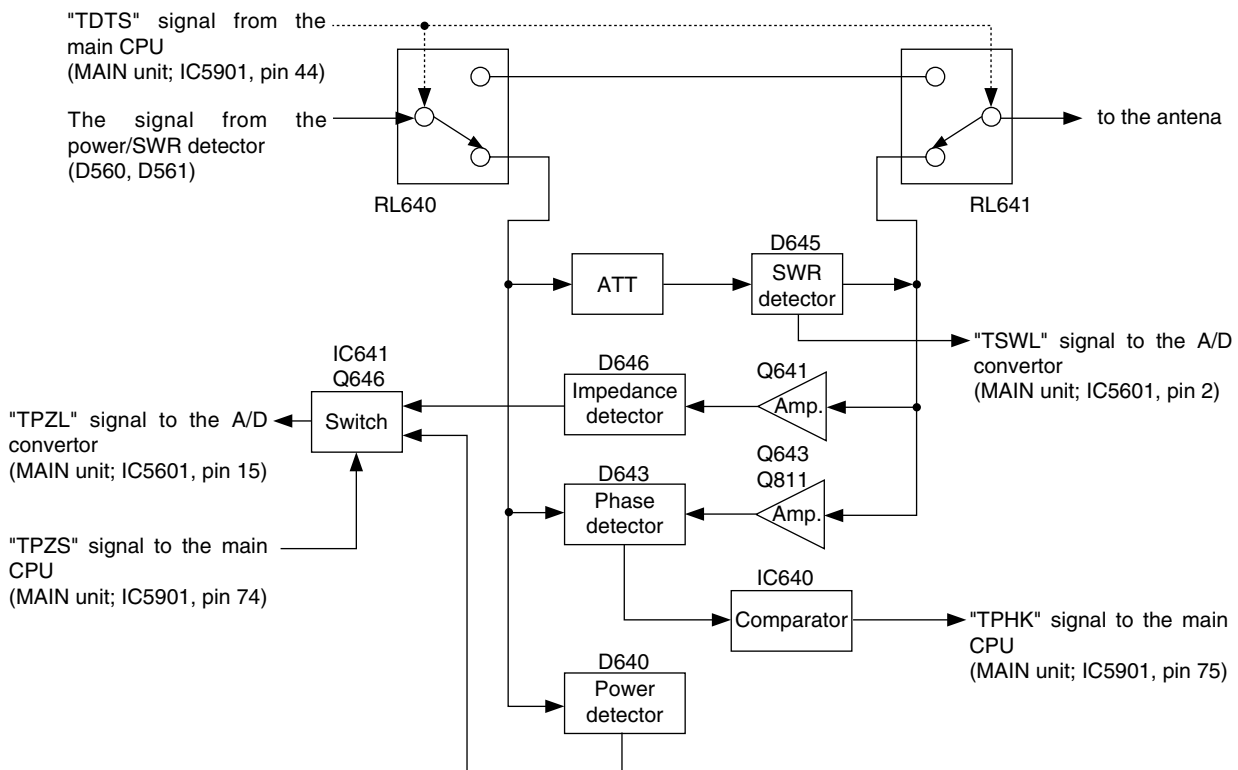
### 3-4-5 SWR DETECTING CIRCUIT (PA UNIT)

The SWR detecting circuit employs return loss bridge circuit (L642, R662-R665) which is also composed as 6 dB attenuator (input-output impedance is 50 Ω).

The output power from the power amplifier (Q200, Q201) passes through the attenuator, and is then applied to the SWR detecting circuit (D645). The signal is applied to the main CPU (MAIN unit; IC5901) via the A/D convertor (MAIN unit; IC5601) as "TSWL" signal.

The main CPU is analyzed SWR to use the "TSWL" signal from the SWL detecting circuit and "TPZL" signal from the power detecting circuit.

## • ANTENNA TUNER CONSTRUCTION



### 3-5 POWER SUPPLY CIRCUITS

#### 3-5-1 VOLTAGE LINES (MAIN UNIT)

| Line | Description   |
|------|---|
| H3V  | Common 3 V converted from the HV line by the +3 regulator circuit (IC9901).   |
| 3V   | Common 3 V converted from the 14V line by the +3 regulator circuit (IC9921).  |
| 5V   | Common 5 V converted from the 14V line by the +5 regulator circuit (IC9941).  |
| P5V  | The same voltage as the 5V line which is controlled by the switching circuit (Q9964, Q9966). The circuit is controlled by the "PSS" signal from the CPU (IC5901, pin 90). |
| 8V   | Common 8 V converted from the 14V line by the +8 regulator circuit (IC9961).  |
| P8V  | The same voltage as the 8V line which is controlled by the switching circuit (Q9963, Q9965). The circuit is controlled by the "PSS" signal from the CPU (IC5901, pin 90). |
| R8V  | Receive 8 V which is the same voltage as the 8V line controlled by the switching circuit (Q6322, Q6323) using the "RXS" signal from the CPU (IC5901, pin 36).             |
| T8V  | Transmit 8 V which is the same voltage as the 8V line controlled by the switching circuit (Q6342, Q6343) using the "TXS" signal from the CPU (IC5901, pin 35).            |

#### 3-5-2 PA UNIT VOLTAGE LINES

| Line | Description  |
|------|--|
| HV   | The voltage from a DC power supply.  |
| 14V  | The same voltage as the HV line which is controlled by the power switching circuit (Q80, Q81). When the [POWER] switch is pushed, the CPU outputs the "POWS" control signal to the power switching circuit to turn the circuit ON. |

#### 3-5-3 VOLTAGE LINES (DISPLAY BOARD)

| Line | Description   |
|------|---|
| 8V   | Common 8 V line from the +8 regulator circuit (MAIN unit; IC9961). The voltage is applied to the microphone via the J1, pin 1.                                    |
| 5V   | Common 5 V converted from the 5V line by the +5 regulator circuit (IC5, Q10, Q11, D9). The output voltage is applied to the SUB-CPU (IC6), LCD driver (IC2), etc. |

### 3-6 CPU PORT ALLOCATIONS

#### 3-6-1 MAIN CPU PORT ALLOCATIONS (MAIN UNIT; IC5901)

| Pin number | Port name | Description   |
|------------|-----------|---|
| 1          | BEEP      | Outputs beep audio and CW side tone signals.  |
| 2          | TONE      | Outputs CTCSS tone signal.  |
| 3          | PDT       | Outputs the serial data to the PLL IC (IC9601).   |
| 4          | SNDK      | Input port for transmitting signals from the microphone or ACC connector.                                   |
| 5          | PCK       | Outputs the serial clock to the PLL IC (IC9601).  |
| 8          | 2NOP      | Outputs control signal for the optional 2nd IF filter.<br>High : While the filter is selected.              |
| 9          | 2NTH      | Outputs control signal for the 2nd IF filter.<br>High : While the filter is bypassed.                       |
| 16         | TGK       | Input port for the shock detecting signal.  |
| 18         | PWRK      | Input port for the [POWER] switch on the front panel.<br>Low : While the [POWER] is pushed.                 |
| 19         | 2N80      | Outputs control signal for the 2nd IF filter.<br>High : While the 8 kHz filter is ON.                       |
| 20         | 2N23      | Outputs control signal for the 2nd IF filter.<br>High : While the 2.3 kHz filter is ON.                     |
| 21         | UNLK      | Input port for the PLL unlock signal.<br>Low : While the PLL is unlocked.                                   |
| 22         | TDAT      | Outputs tuner data signal.  |
| 23         | KDS       | Outputs CW key down signal.<br>High : While transmitting on CW or RTTY modes.                               |
| 25         | MINH      | Output SSB modulation prohibitive signal.<br>High : While transmitting on CW, FM or RTTY modes.             |
| 26         | DPTK      | Input port for the PTT signal from the data terminal (J6851, pin 3).<br>High : While data are transmitting. |
| 27         | LRXD      | Input port for the data signal from the front unit.   |
| 28         | LTXD      | Outputs data signal to the front unit.  |
| 31         | SLOS      | Outputs LO level control signal.  |
| 33         | CTXD      | Outputs CI-V signals.   |
| 34         | CRXD      | Input port for the CI-V signals.  |
| 39         | P2ST      | Outputs strobe signal to the PLL IC (IC9601) for the 2nd LO signal.   |

**(MAIN unit; IC5901)–Continued**

| Pin number | Port name | Description  |
|------------|-----------|--|
| 40         | SBST      | Outputs strobe signal to the BFO's DDS IC (IC9701).  |
| 41         | PDST      | Outputs strobe signal to the DDS IC (IC9001) for main loop.                                |
| 42         | PMST      | Outputs strobe signal to the PLL IC (IC9101) for main loop.                                |
| 43         | DSTB      | Outputs strobe signal to the D/A converter (IC6501).                                       |
| 46         | FSKK      | Input port for the RTTY keying signal.<br>High : While marking.<br>Low : While spacing.    |
| 47         | AGFS      | Outputs AGC first control signal.<br>Low : While AGC first is ON.                          |
| 49         | FMS       | Outputs FM mode select signal.<br>High : While FM or FM-N is selected.                     |
| 50         | ANS       | Outputs AM mode select signal.<br>High : While AM or AM-N is selected.                     |
| 51         | NBS       | Outputs noise blanker control signal.<br>High : While noise blanker is ON.                 |
| 52         | AFS2      | Outputs detecting output select signal.<br>High : While AM or AM-N is selected.            |
| 53         | AFS1      | Outputs detecting output select signal.<br>High : While FM or FM-N is selected.            |
| 55         | ATTS      | Outputs attenuator control signal.<br>High : While attenuator is ON.                       |
| 56         | PROS      | Outputs the pre-amplifier ON/OFF control signal.<br>High : While the pre-amplifier is OFF. |
| 57         | PRES      | Outputs the pre-amplifier ON/OFF control signal.<br>High : While the pre-amplifier is ON.  |
| 58         | COMS      | Outputs the speech compressor control signal.<br>High : While the speech compressor is ON. |
| 59         | D96S      | Outputs 9600 bps packet mode control signal.<br>High : While 9600bps packet mode is ON.    |
| 61         | DSPS      | Outputs optional DSP unit control signal.<br>High : While the DSP unit is ON.              |
| 65         | ECK       | Outputs the EEPROM clock signal.   |
| 66         | EDT       | I/O port for the EEPROM data signal.   |
| 67         | DRES      | Outputs reset signal.  |
| 72         | DASK      | Input port for the external paddle dash signal.  |
| 73         | DOTK      | Input port for the external paddle dot signal.   |
| 80         | AFMS      | Outputs AF mute control signal.<br>Low : While AF is muting.                               |

**(MAIN unit; IC5901)–Continued**

| Pin number | Port name | Description  |
|------------|-----------|--|
| 85         | SPS       | Outputs the speaker switching signal.<br>High : The speaker is ON.                                 |
| 89         | VCCL      | Input port for supplied voltage detecting signal.  |
| 90         | PSS       | Outputs power save control signal.<br>Low : While power save is ON.                                |
| 91         | MUDL      | Input port for the microphone [UP]/[DWON] signal from the rear panel.                              |
| 95         | CTCL      | Input port for the CTCSS signal.   |
| 98         | MSTB      | Outputs strobe signal to the expander IC (IC6101, pin 1).  |
| 99         | MDT       | Outputs serial data to the D/A converter (IC6501, pin 8) and expander IC (PA unit; IC600, pin 8).  |
| 100        | MCK       | Outputs serial clock to the D/A converter (IC6501, pin 7) and expander IC (PA unit; IC600, pin 7). |

**3-6-2 SUB CPU PORT ALLOCATIONS  
(DISPLAY BOARD; IC6)**

| Pin number     | Port name      | Description   |      |      |        |     |     |     |      |     |     |      |      |      |
|----------------|----------------|---|------|------|--------|-----|-----|-----|------|-----|-----|------|------|------|
| 2<br>3         | KL1S<br>KL2S   | Output key backlight control signals.<br><table border="1"> <thead> <tr> <th>KL1S</th> <th>KL2S</th> <th>Lights</th> </tr> </thead> <tbody> <tr> <td>Low</td> <td>Low</td> <td>OFF</td> </tr> <tr> <td>High</td> <td>Low</td> <td>Low</td> </tr> <tr> <td>High</td> <td>High</td> <td>High</td> </tr> </tbody> </table>     | KL1S | KL2S | Lights | Low | Low | OFF | High | Low | Low | High | High | High |
| KL1S           | KL2S           | Lights  |      |      |        |     |     |     |      |     |     |      |      |      |
| Low            | Low            | OFF   |      |      |        |     |     |     |      |     |     |      |      |      |
| High           | Low            | Low   |      |      |        |     |     |     |      |     |     |      |      |      |
| High           | High           | High  |      |      |        |     |     |     |      |     |     |      |      |      |
| 4              | PHNK           | Input port for the phone plug insert detecting signal.<br>High : While the phone plug is inserted.  |      |      |        |     |     |     |      |     |     |      |      |      |
| 5              | RSK            | Input port for the [RIT/SUB] key.   |      |      |        |     |     |     |      |     |     |      |      |      |
| 6              | MDAK           | Input port for the main dial's A phase signal.  |      |      |        |     |     |     |      |     |     |      |      |      |
| 7              | MDBK           | Input port for the main dial's B phase signal.  |      |      |        |     |     |     |      |     |     |      |      |      |
| 8              | SDAK           | Input port for the sub dial's A phase signal.   |      |      |        |     |     |     |      |     |     |      |      |      |
| 16             | PRED           | Outputs the "P.AMP" LED control signal.   |      |      |        |     |     |     |      |     |     |      |      |      |
| 17             | ATTD           | Outputs the "ATT" LED control signal.   |      |      |        |     |     |     |      |     |     |      |      |      |
| 18             | TUND           | Outputs the "TUNER" LED control signal.   |      |      |        |     |     |     |      |     |     |      |      |      |
| 19             | RITD           | Outputs the "RIT" LED control signal.   |      |      |        |     |     |     |      |     |     |      |      |      |
| 20             | LCKD           | Outputs the "LOCK" LED control signal.  |      |      |        |     |     |     |      |     |     |      |      |      |
| 21             | RXD            | Outputs the "RX" LED control signal.  |      |      |        |     |     |     |      |     |     |      |      |      |
| 22             | TXD            | Outputs the "TX" LED control signal.  |      |      |        |     |     |     |      |     |     |      |      |      |
| 24<br>25       | BL1S<br>BL2S   | Output the LCD backlight control signals.<br><table border="1"> <thead> <tr> <th>BL1S</th> <th>BL2S</th> <th>Lights</th> </tr> </thead> <tbody> <tr> <td>Low</td> <td>Low</td> <td>OFF</td> </tr> <tr> <td>High</td> <td>Low</td> <td>Low</td> </tr> <tr> <td>High</td> <td>High</td> <td>High</td> </tr> </tbody> </table> | BL1S | BL2S | Lights | Low | Low | OFF | High | Low | Low | High | High | High |
| BL1S           | BL2S           | Lights  |      |      |        |     |     |     |      |     |     |      |      |      |
| Low            | Low            | OFF   |      |      |        |     |     |     |      |     |     |      |      |      |
| High           | Low            | Low   |      |      |        |     |     |     |      |     |     |      |      |      |
| High           | High           | High  |      |      |        |     |     |     |      |     |     |      |      |      |
| 26             | SUBD           | Outputs sub-dial's LED control signal.  |      |      |        |     |     |     |      |     |     |      |      |      |
| 29<br>30<br>31 | WR<br>RD<br>A0 | Output the LCD driver (IC2) control signals.  |      |      |        |     |     |     |      |     |     |      |      |      |
| 39-42          | COM4-<br>COM1  | Output LCD common signals.  |      |      |        |     |     |     |      |     |     |      |      |      |
| 44-50          | DB7-<br>DB0    | I/O port for LCD driver's data signals.   |      |      |        |     |     |     |      |     |     |      |      |      |
| 51-82          | SEG1-<br>SEG32 | Output LCD segment signals.   |      |      |        |     |     |     |      |     |     |      |      |      |
| 83             | LRRES          | Outputs the LCD driver reset signal.<br>Low : While the LCD driver is reset.  |      |      |        |     |     |     |      |     |     |      |      |      |
| 84             | LRXD           | Input port for the communicating signal with the main unit.   |      |      |        |     |     |     |      |     |     |      |      |      |

**(DISPLAY BOARD; IC6)-Continued**

| Pin number | Port name     | Description  |
|------------|---------------|--|
| 85         | LTXD          | Outputs the communicating signal with the main unit. |
| 86         | SDBK          | Input port for the sub-dial's B phase signal.        |
| 88         | PRAK/<br>TUNK | Input port for [P.AMP/ATT] and [TUNER/CALL] keys.    |
| 89         | MENK/<br>F1K  | Input port for [MENU] and [F-1] keys.                |
| 90         | F2K/F3K       | Input port for [F-2] and [F-3] keys.                 |
| 91         | DISK/<br>LCKK | Input port for [DISPLAY] and [LOCK] keys.            |
| 92         | MODK/<br>TSK  | Input port for [MODE] and [TS] keys.                 |
| 93         | BUPK/<br>BDNK | Input port for [BAND UP] and [BAND DN] keys.         |
| 94         | PTTL          | Input port for the microphone PTT signal.            |
| 95         | FUDL          | Input port for the microphone UP/DOWN signal.        |
| 96         | AFGL          | Input port for the AF volume control signal.         |
| 97         | SQLL          | Input port for the RS/SQL volume control signal.     |
| 99         | SFTL          | input port for the SHIFT volume control signal.      |

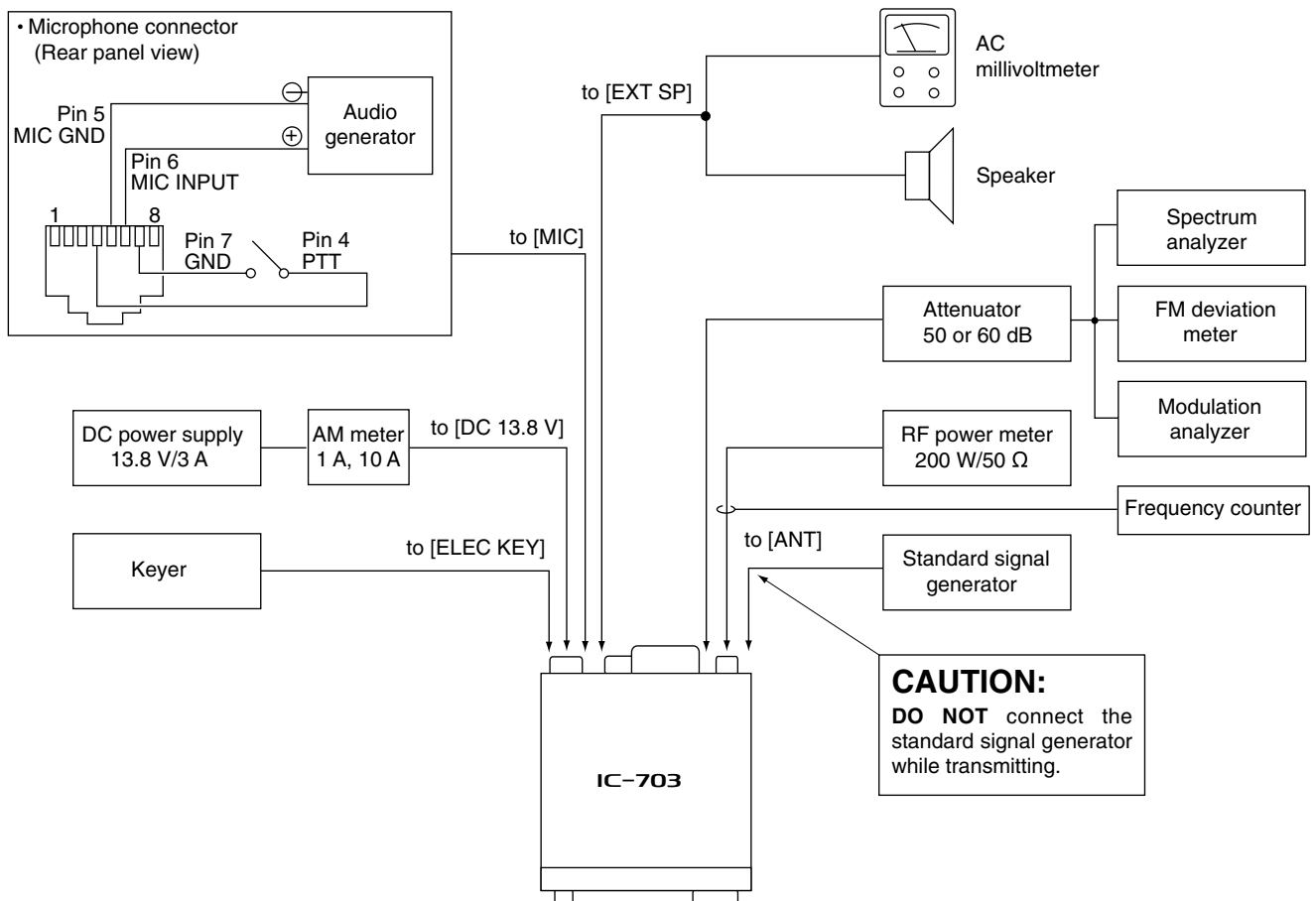
# SECTION 4 ADJUSTMENT PROCEDURES

## 4-1 PREPARATION BEFORE SERVICING

### ■ REQUIRED TEST EQUIPMENT

| EQUIPMENT                        | GRADE AND RANGE   | EQUIPMENT          | GRADE AND RANGE   |
|----------------------------------|---|--------------------|---|
| DC power supply                  | Output voltage : 13.8 V DC<br>Current capacity : 5 A or more  | Distortion meter   | Frequency range : 1 kHz $\pm$ 10 %<br>Measuring range : 1–100 %             |
| RF power meter (terminated type) | Measuring range : 0.1–50 W<br>Frequency range : 1.8–100 MHz<br>Impedance : 50 $\Omega$<br>SWR : Less than 1.2 : 1 | Oscilloscope       | Frequency range : DC–100 MHz<br>Measuring range : 0.01–10 V                 |
| Frequency counter                | Frequency range : 0.1–100 MHz<br>Frequency accuracy : $\pm$ 1 ppm or better<br>Sensitivity : 100 mV or better     | Digital multimeter | Input impedance : 10 M $\Omega$ /DC or better                               |
| RF voltmeter                     | Frequency range : 0.1–100 MHz<br>Measuring range : 0.01–10 V  | AC millivoltmeter  | Measuring range : 10 mV–10 V  |
| Standard signal generator (SSG)  | Frequency range : 0.1–100 MHz<br>Output level : 0.1 $\mu$ V–32 mV<br>(–127 to –17 dBm)                            | DC voltmeter       | Input impedance : 50 k $\Omega$ /V DC or better                             |
| FM deviation meter               | Frequency range : 0–100 MHz<br>Measuring range : 0 to $\pm$ 5 kHz   | DC ammeter         | Measurement capability: 1 A/50 A  |
| Modulation analyzer              | Frequency range : At least 100 MHz<br>Measuring range : 0–100 %   | Audio generator    | Frequency range : 300–3000 Hz<br>Measuring range : 1–500 mV                 |
|                                  |   | Spectrum analyzer  | Frequency range : At least 1000 MHz<br>Spectrum bandwidth : 100 kHz or more |
|                                  |   | Attenuator         | Power attenuation : 50 or 60 dB<br>Capacity : 150 W or more                 |
|                                  |   | External speaker   | Input impedance : 8 $\Omega$<br>Capacity : 5 W or more                      |

### ■ CONNECTIONS

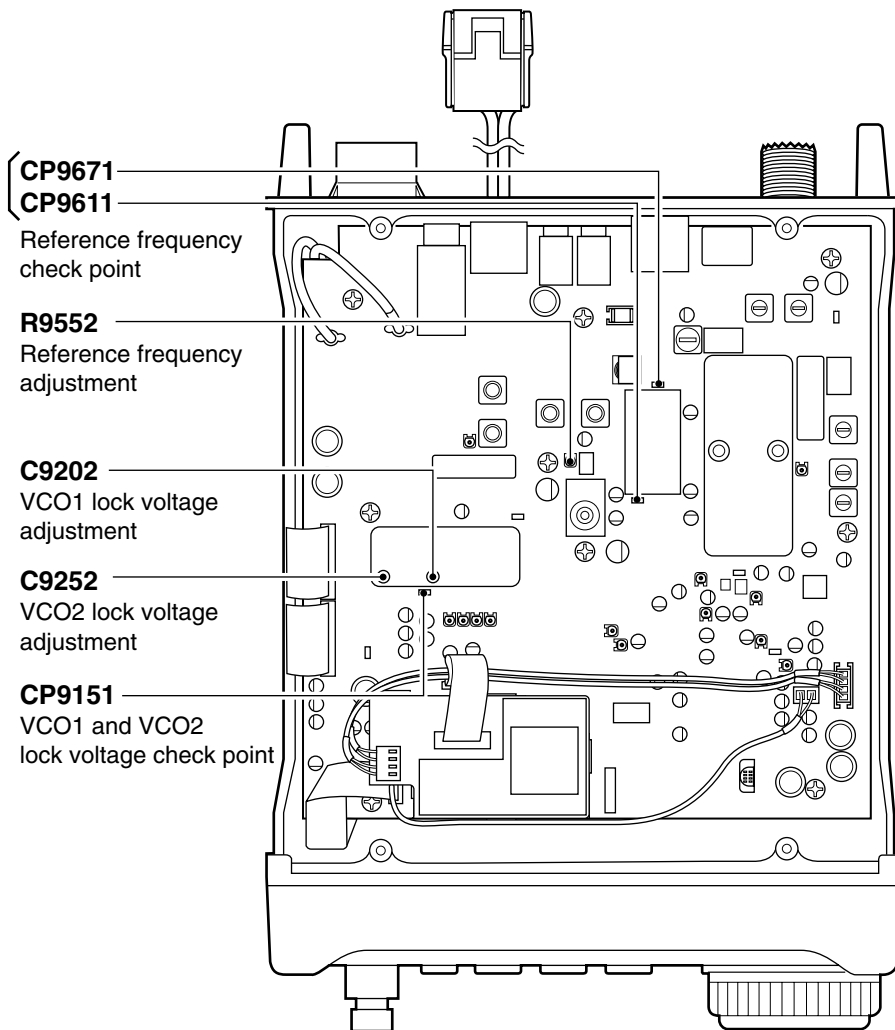




## 4-2 PLL ADJUSTMENTS

| ADJUSTMENT          |   | ADJUSTMENT CONDITION   | MEASUREMENT |   | VALUE     | ADJUSTMENT POINT |               |
|---------------------|---|--|-------------|---|-----------|------------------|---------------|
|                     |   |  | UNIT        | LOCATION  |           | UNIT             | ADJUST        |
| REFERENCE FREQUENCY | 1 | <ul style="list-style-type: none"> <li>• Display frequency: Any</li> <li>• Receiving</li> </ul>                                | MAIN        | Connect an RF voltmeter to check point CP9611.                      | 1.5–3.5 V | MAIN             | Verify        |
|                     | 2 |  |             | Connect a frequency counter to check point CP9671.                  |           |                  | 64.000000 MHz |
| VCO1 LOCK VOLTAGE   | 1 | <ul style="list-style-type: none"> <li>• Display frequency: 29.99999 MHz</li> <li>• Mode : USB</li> <li>• Receiving</li> </ul> | MAIN        | Connect a digital multimeter or oscilloscope to check point CP9151. | 4.0 V     | MAIN             | C9202         |
| VCO2 LOCK VOLTAGE   | 1 | <ul style="list-style-type: none"> <li>• Display frequency: 60.00000 MHz</li> <li>• Mode : USB</li> <li>• Receiving</li> </ul> | MAIN        | Connect a digital multimeter or oscilloscope to check point CP9151. | 4.0 V     | MAIN             | C9252         |

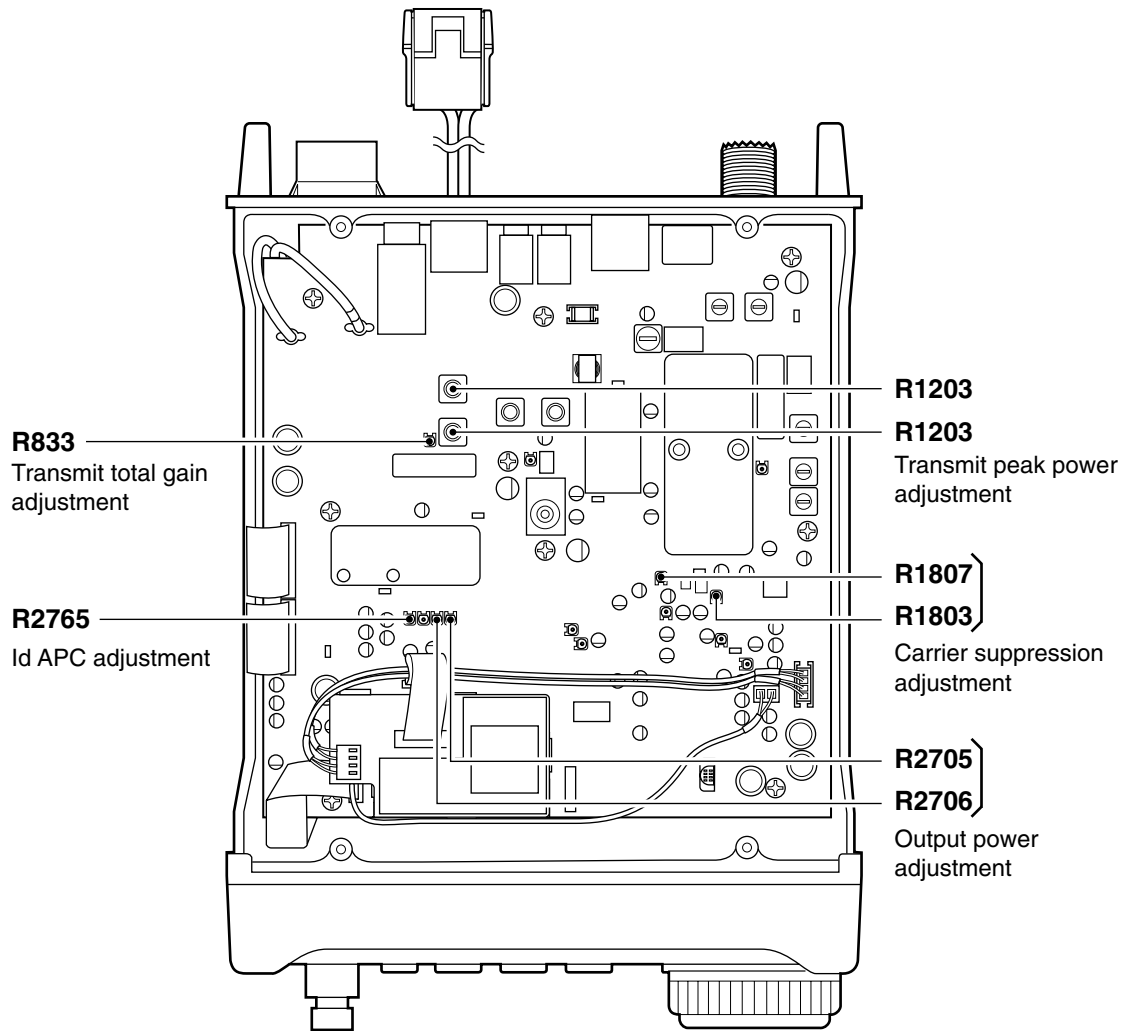
• MAIN UNIT TOP VIEW



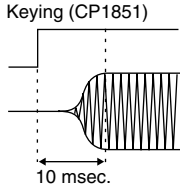
## 4-3 TRANSMITTER ADJUSTMENTS

| ADJUSTMENT          | ADJUSTMENT CONDITION  | MEASUREMENT |   | VALUE                 | ADJUSTMENT POINT |            |
|---------------------|---|-------------|---|-----------------------|------------------|------------|
|                     |   | UNIT        | LOCATION  |                       | UNIT             | ADJUST     |
| TRANSMIT PEAK POWER | 1 <ul style="list-style-type: none"> <li>• Display frequency: 14.10000 MHz</li> <li>• Mode : USB</li> <li>• [RF POWER] : H</li> <li>• [MIC GAIN] : 5</li> <li>• Pre-set R2765 to 3 o'clock position.</li> <li>• Pre-set R1803, R1807 and R2705 to center position.</li> <li>• Connect an audio generator to [MIC] connector and set as: 1.5 kHz/3 mV</li> <li>• Transmitting</li> </ul> | Rear Panel  | Connect an RF power meter to [ANT] connector.                     | Maximum RF power      | MAIN             | L831, L832 |
| CARRIER SUPPRESSION | 1 <ul style="list-style-type: none"> <li>• Display frequency: 14.10000 MHz</li> <li>• Mode : USB</li> <li>• Apply no signal to [MIC] connector.</li> <li>• Transmitting</li> </ul>  | Rear Panel  | Connect a spectrum analyzer to [ANT] connector via an attenuator. | NULL point            | MAIN             | R1803      |
|                     | 2 <ul style="list-style-type: none"> <li>• Transmitting</li> </ul>  |             |   | Minimum carrier level |                  | R1807      |
| TRANSMIT TOTAL GAIN | 1 <ul style="list-style-type: none"> <li>• Display frequency: 14.10000 MHz</li> <li>• Mode : USB</li> <li>• [MIC GAIN] : 5</li> <li>• Connect an audio generator to [MIC] connector and set as: 1.5 kHz/3 mV</li> <li>• Transmitting</li> </ul>   | Rear Panel  | Connect an RF power meter to [ANT] connector.                     | 5 W                   | MAIN             | R833       |
| OUTPUT POWER        | 1 <ul style="list-style-type: none"> <li>• Display frequency: 14.10000 MHz</li> <li>• Mode : USB</li> <li>• [MIC GAIN] : 5</li> <li>• Connect an audio generator to [MIC] connector and set as: 1.5 kHz/30 mV</li> <li>• Transmitting</li> </ul>  | Rear Panel  | Connect an RF power meter to [ANT] connector.                     | 9.7 W                 | MAIN             | R2705      |
|                     | 2 <ul style="list-style-type: none"> <li>• Display frequency: 52.00000 MHz</li> <li>• Transmitting</li> </ul>   |             |   | 10 W                  |                  | R2706      |
| Id APC              | 1 <ul style="list-style-type: none"> <li>• Pre-set R2765 to 9 o'clock position.</li> <li>• Display frequency: 3.8000 MHz</li> <li>• Mode : LSB</li> <li>• Connect CP2711 to ground.</li> <li>• Connect an audio generator to [MIC] connector and set as: 1.5 kHz/30 mV</li> <li>• Transmitting</li> </ul>   | Rear panel  | Connect an ammeter between the IC-703 and the power supply.       | 3.0 A                 | MAIN             | R2765      |

• MAIN UNIT TOP VIEW

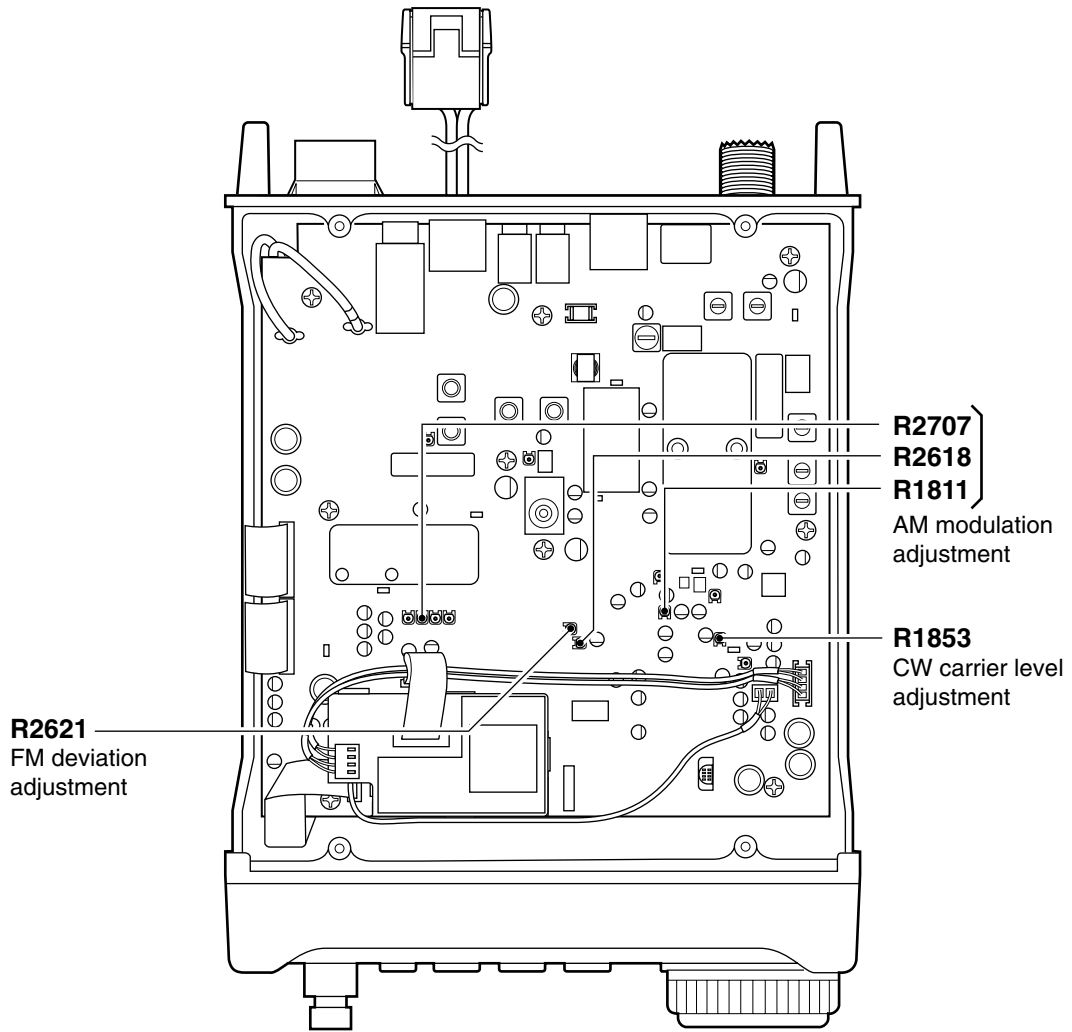


## TRANSMITTER ADJUSTMENTS (continued)

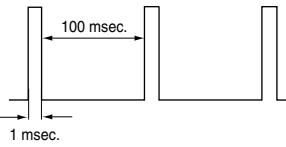
| ADJUSTMENT       | ADJUSTMENT CONDITION  | MEASUREMENT |   | VALUE   | ADJUSTMENT POINT |        |
|------------------|---|-------------|---|---|------------------|--------|
|                  |   | UNIT        | LOCATION  |   | UNIT             | ADJUST |
| FM DEVIATION     | 1 <ul style="list-style-type: none"> <li>• Display frequency: 29.10000 MHz</li> <li>• Mode : FM</li> <li>• [RF POWER] : H</li> <li>• [TON] : OFF</li> <li>• [MIC GAIN] : 5</li> <li>• Connect an audio generator to [MIC] connector and set as: 1 kHz/30 mV</li> <li>• Transmitting</li> </ul>  | Rear Panel  | Connect an FM deviation meter to [ANT] connector via an attenuator. | ±4.5 kHz  | MAIN             | R2621  |
| AM MODULATION    | 1 <ul style="list-style-type: none"> <li>• Display frequency: 14.10000 MHz</li> <li>• Mode : AM</li> <li>• [RF POWER] : H</li> <li>• [MIC GAIN] : 5</li> <li>• Disconnect the plug from J2 on the MAIN unit.</li> <li>• Apply no signal to [MIC] connector.</li> <li>• Transmitting</li> </ul>  | MAIN        | Connect an oscilloscope to check point CP1302.                      | 400 mVp-p   | MAIN             | R1811  |
|                  | 2 <ul style="list-style-type: none"> <li>• Connect the plug to J2 on the MAIN unit.</li> <li>• Apply no signal to [MIC] connector.</li> <li>• Transmitting</li> </ul>   | Rear Panel  | Connect an RF power meter to [ANT] connector.                       | 3.5 W   |                  | R2707  |
|                  | 3 <ul style="list-style-type: none"> <li>• Pre-set R2618 to 9 o'clock position.</li> <li>• Connect an audio generator to [MIC] connector and set as: 1 kHz/30 mV</li> <li>• Transmitting</li> </ul>   |             | Connect a modulation analyzer to [ANT] connector via an attenuator. | 90 % (–peak) modulation   |                  | R2618  |
| CW CARRIER LEVEL | 1 <ul style="list-style-type: none"> <li>• Display frequency: 14.10000 MHz</li> <li>• Mode : CW</li> <li>• [RF POWER] : H</li> <li>• [KEY SPEED] : 60</li> <li>• [BRK] : BK (semi break-in)</li> <li>• CW paddle : n</li> <li>• Connect an RF power meter to [ANT] connector.</li> <li>• Transmit dots for a while using a paddle.</li> </ul> |             | Connect an oscilloscope to check point CP1851 and [ANT] connector.  | At the point where the CW carrier completely comes up in a 10 msec. delay after CP1851 voltage comes up.<br><br> | MAIN             | R1853  |



• MAIN UNIT TOP VIEW

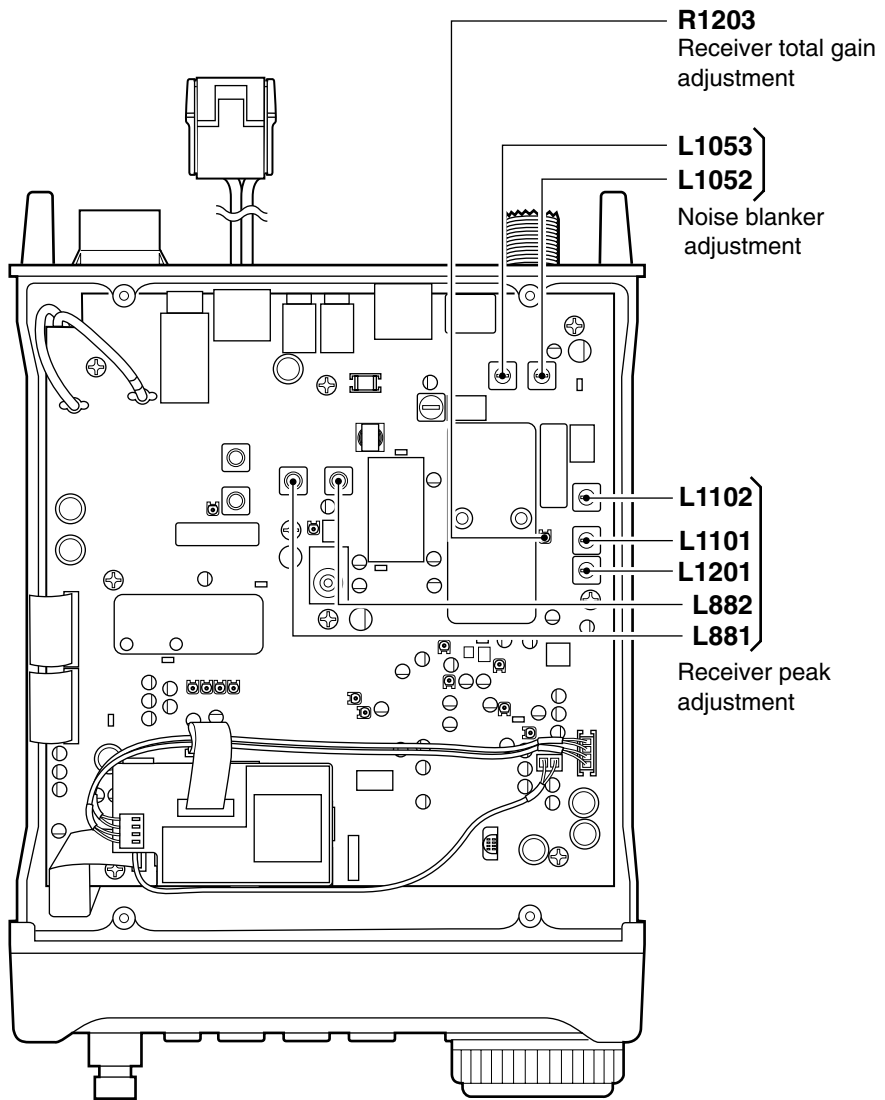


## 4-4 RECEIVER ADJUSTMENTS

| ADJUSTMENT          | ADJUSTMENT CONDITION   | MEASUREMENT |  | VALUE  | ADJUSTMENT POINT |                                 |
|---------------------|--|-------------|--|--|------------------|---------------------------------|
|                     |  | UNIT        | LOCATION   |  | UNIT             | ADJUST                          |
| RECEIVER PEAK       | 1 <ul style="list-style-type: none"> <li>• Display freq. : 14.15000 MHz</li> <li>• Mode : USB</li> <li>• [RIT] : OFF</li> <li>• [AGC] : Fast (F AGC)</li> <li>• [NB] : OFF</li> <li>• [P.AMP/ATT] : Preamp ON</li> <li>• Connect a standard signal generator to the [ANT] connector and set as: <ul style="list-style-type: none"> <li>Frequency : 14.15150 MHz</li> <li>Level : 0.5 <math>\mu</math>V* (-113 dBm)</li> <li>Modulation : OFF</li> </ul> </li> <li>• Receiving</li> </ul>   | Rear Panel  | Connect an AC millivoltmeter to the [EXT SP] jack with an 8 $\Omega$ dummy load. | Maximum AF output level                                      | MAIN             | L881, L882, L1101, L1102, L1201 |
| RECEIVER TOTAL GAIN | 1 <ul style="list-style-type: none"> <li>• [P.AMP/ATT] : Preamp OFF</li> <li>• Set an SSG as: <ul style="list-style-type: none"> <li>Frequency : 14.15150 MHz</li> <li>Level : 500 <math>\mu</math>V* (-53 dBm) and OFF</li> <li>Modulation : OFF</li> </ul> </li> <li>• Receiving</li> </ul>  | Rear Panel  | Connect an AC millivoltmeter to the [EXT SP] jack with a 8 $\Omega$ dummy load.  | 30 dB of AF level difference                                 | MAIN             | R1203                           |
| NOISE BLANKER       | 1 <ul style="list-style-type: none"> <li>• Display freq. : 14.15000 MHz</li> <li>• Mode : USB</li> <li>• [P.AMP/ATT] : Preamp ON</li> <li>• [NB] : ON</li> <li>• Connect an SSG to the [ANT] connector and set as: <ul style="list-style-type: none"> <li>Frequency : 14.15150 MHz</li> <li>Level : 18 <math>\mu</math>V* (-82 dBm)</li> <li>Modulation : OFF</li> </ul> </li> <li>and apply the following signal to the [ANT] connector.</li> </ul>  <ul style="list-style-type: none"> <li>• Receiving</li> </ul> | MAIN        | Connect an oscilloscope to check point CP1001.                                   | Adjust the maximum noise wave displayed on the oscilloscope. | MAIN             | L1052, L1053                    |
|                     | 2 <ul style="list-style-type: none"> <li>• [NB] : ON</li> <li>• Set an SSG as: <ul style="list-style-type: none"> <li>Level : 10 <math>\mu</math>V* (-87 dBm)</li> <li>Modulation : OFF</li> </ul> </li> <li>• Receiving</li> </ul>  |             |  |  |                  |                                 |

\*This output level of the standard signal generator (SSG) is indicated as SSG's open circuit.





• MAIN UNIT TOP VIEW



## 4-5 SET MODE ADJUSTMENTS (No.1)

| ADJUSTMENT                   | ADJUSTMENT CONDITION   | DISPLAY | OPERATION  |
|------------------------------|--|---------|--|
| ENTERING ADJUSTMENT SET MODE | 1 <ul style="list-style-type: none"> <li>Enter adjustment set mode: <ol style="list-style-type: none"> <li>Turn power OFF.</li> <li>Terminate the [REMOTE] jack with a 3.5(d) mm shorten-plug.</li> <li>While pushing [P.AMP/ATT] and [TUNER], turn power ON.</li> </ol> </li> </ul>                     |         | Push [F-2 (RX)] to enter the S-METER adj. setting mode, [F-3 (TX)] to enter the TX adj. setting mode.<br>Then advance to the following setting, or push [UP]/[DN] to scroll the display. |
| S-METER                      | 1 <ul style="list-style-type: none"> <li>Connect an SSG to [ANT] connector and set as: <ul style="list-style-type: none"> <li>Frequency : 14.1515 MHz</li> <li>Level : OFF</li> </ul> </li> <li>Receiving</li> </ul>   |         | Push [MENU] to set the "S0 level".   |
|                              | 2 <ul style="list-style-type: none"> <li>Set an SSG as : <ul style="list-style-type: none"> <li>Level : 50 μV (-73 dBm)</li> <li>Modulation : OFF</li> </ul> </li> <li>Receiving</li> </ul>  |         | Push [MENU] to set the "S9 level".   |
|                              | 3 <ul style="list-style-type: none"> <li>Set an SSG as : <ul style="list-style-type: none"> <li>Level : 32 mV (-17 dBm)</li> <li>Modulation : OFF</li> </ul> </li> <li>Receiving</li> </ul>  |         | Push [MENU] to set the "+60 dB level".<br>• The display returns to the same as the ADJUSTMENT SET MODE above.  |
| FILTER CALIBRATION           | 1 <ul style="list-style-type: none"> <li>Turn power OFF, and then enter the TX adjustment set mode.</li> <li>Connect an RF power meter to [ANT] connector.</li> <li>Connect an audio generator to [MIC] connector and set as: <ul style="list-style-type: none"> <li>1.5 kHz/3 mV</li> </ul> </li> </ul> |         | Push and hold [MENU (GO)] to make the calibration.<br>• Transceiver transmits for a while.   |
| POWER METER (14 MHz)         | 1 <ul style="list-style-type: none"> <li>Connect an RF power meter to [ANT] connector.</li> <li>Transmit using an external PTT switch.</li> </ul>  |         | Set to 10 W using [MAIN DIAL], then push [MENU] while transmitting.  |
|                              | 2 <ul style="list-style-type: none"> <li>Transmit using an external PTT switch.</li> </ul>   |         | Set to 5 W using [MAIN DIAL], then push [MENU] while transmitting.   |
|                              | 3 <ul style="list-style-type: none"> <li>Transmit using an external PTT switch.</li> </ul>   |         | Set to 2.5 W using [MAIN DIAL], then push [MENU] while transmitting.   |
|                              | 4 <ul style="list-style-type: none"> <li>Transmit using an external PTT switch.</li> </ul>   |         | Set to 1 W using [MAIN DIAL], then push [MENU] while transmitting.   |
|                              | 5 <ul style="list-style-type: none"> <li>Transmit using an external PTT switch.</li> </ul>   |         | Set to 0.5 W using [MAIN DIAL], then push [MENU] while transmitting.   |
|                              | 6 <ul style="list-style-type: none"> <li>Transmit using an external PTT switch.</li> </ul>   |         | Set to 0.1 W using [MAIN DIAL], then push [MENU] while transmitting.   |
| POWER METER (50 MHz)         | 1 <ul style="list-style-type: none"> <li>Connect an RF power meter to [ANT] connector.</li> <li>Transmit using an external PTT switch.</li> </ul>  |         | Set to 10 W using [MAIN DIAL], then push [MENU] while transmitting.  |
|                              | 2 <ul style="list-style-type: none"> <li>Transmit using an external PTT switch.</li> </ul>   |         | Set to 5 W using [MAIN DIAL], then push [MENU] while transmitting.   |
|                              | 3 <ul style="list-style-type: none"> <li>Transmit using an external PTT switch.</li> </ul>   |         | Set to 2.5 W using [MAIN DIAL], then push [MENU] while transmitting.   |
|                              | 4 <ul style="list-style-type: none"> <li>Transmit using an external PTT switch.</li> </ul>   |         | Set to 1 W using [MAIN DIAL], then push [MENU] while transmitting.   |
|                              | 5 <ul style="list-style-type: none"> <li>Transmit using an external PTT switch.</li> </ul>   |         | Set to 0.5 W using [MAIN DIAL], then push [MENU] while transmitting.   |
|                              | 6 <ul style="list-style-type: none"> <li>Transmit using an external PTT switch.</li> </ul>   |         | Set to 0.1 W using [MAIN DIAL], then push [MENU] while transmitting.   |

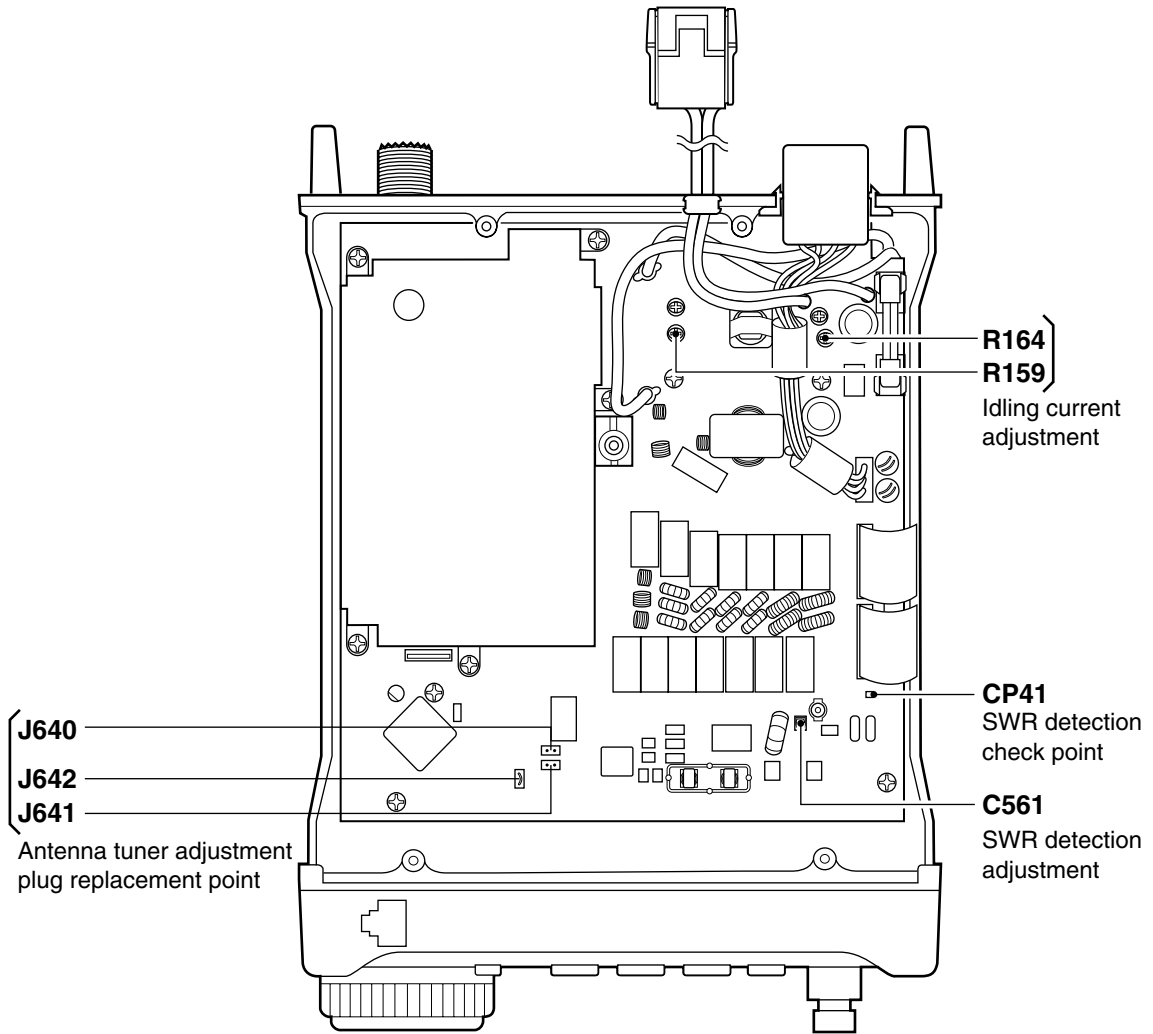
## SET MODE ADJUSTMENTS (No.1)–Continued

| ADJUSTMENT                                     | ADJUSTMENT CONDITION   | DISPLAY  | OPERATION   |
|--|--|--|---|
| ALC METER<br>(HF bands)                        | 1 <ul style="list-style-type: none"> <li>• Connect an RF power meter to [ANT] connector.</li> <li>• Connect an audio generator to [MIC] connector and set as :<br/>Level : 1.5 kHz/30mV</li> <li>• Transmit using an external PTT switch.</li> </ul> |  HF ALC     | Push and hold [MENU] to set ALC reference level while transmitting.                                   |
| (50 MHz band)                                  | 2 <ul style="list-style-type: none"> <li>• Transmit using an external PTT switch.</li> </ul>   |  50M ALC    | Push and hold [MENU] to set ALC reference level while transmitting.                                   |
| SWR METER                                      | 1 <ul style="list-style-type: none"> <li>• Connect a 50 Ω dummy load or power meter to [ANT] connector.</li> </ul>   |  SWR 1 LOAD | Push [MENU] to set SWR reference level.   |
|  | 2 <ul style="list-style-type: none"> <li>• Connect a 50 Ω dummy load or power meter to [ANT] connector.</li> </ul>   |  SWR 2 LOAD | Push [MENU] to set SWR2 level.<br>• The display returns to the same as the ADJUSTMENT SET MODE above. |
| Push [F-1 (EXIT)] to exit adjustment set mode. |  |  |   |

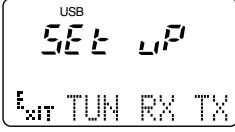




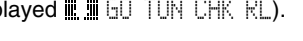
## 4-6 PA UNIT ADJUSTMENTS

| ADJUSTMENT     | ADJUSTMENT CONDITION  | MEASUREMENT   |  | VALUE           | ADJUSTMENT POINT |          |
|----------------|---|---|--|-----------------|------------------|----------|
|                |   | UNIT  | LOCATION   |                 | UNIT             | ADJUST   |
| IDLING CURRENT | 1 • Turn R159, R164 (on the PA unit) to maximum counterclockwise position.  | PA  | Connect a digital multimeter to check point CP151. | 0.5 V           | PA               | R150     |
|                | 2 • Display frequency: 14.10000 MHz<br>• Mode : USB<br>• [MIC GAIN] : 1 (minimum)<br>• Transmitting   |   |  |                 |                  | R159     |
|                | 3 • Transmitting  |   |  |                 |                  |          |
| SWR DETECTION  | 1 • Display frequency: 14.10000 MHz<br>• Mode : USB<br>• [MIC GAIN] : 5<br>• Connect CP2711 on the MAIN unit to ground.<br>• Connect an audio generator to [MIC] connector and set as:<br>1.5 kHz/30 mV<br>• Transmitting | Rear Panel  | Connect an RF power meter to [ANT1] connector.     | 10 W            | Quick set mode   | MIC GAIN |
|                | 2 • Transmitting  | PA  | Connect a digital multimeter to check point CP41.  | Minimum voltage | PA               | C561     |
|                | 3   | After remove the jumper wire from CP2711 on the MAIN board. |  |                 |                  |          |

• PA UNIT TOP VIEW



## 4-7 SET MODE ADJUSTMENTS (No.2)

| ADJUSTMENT                   |   | ADJUSTMENT CONDITION   | DISPLAY  | OPERATION  |
|------------------------------|---|--|--|--|
| ENTERING ADJUSTMENT SET MODE | 1   | <ul style="list-style-type: none"> <li>Enter tuner adjustment set mode:                             <ol style="list-style-type: none"> <li>Turn power OFF.</li> <li>Terminate the [REMOTE] jack with a 3.5(d) mm shorten-plug.</li> <li>While pushing [P.AMP/ATT] and [TUNER], turn power ON.</li> </ol> </li> </ul> |  | <p>Push [F-1 (TUN)] to enter the antenna tuner adj. setting mode.</p> <p>Then advance to the following setting, or push [UP]/[DN] to scroll the display.</p>   |
| ANTENNA TUNER                | 1   | <ul style="list-style-type: none"> <li>Disconnect the plug P1 from the J642, and then connect P1 to the J641.</li> <li>Receiving</li> </ul>  |  | Push [MENU (GO)] to set adjustment value.  |
|                              | 2   | <ul style="list-style-type: none"> <li>Receiving</li> </ul>  |  | Push [MENU (GO)] to set adjustment value.  |
|                              | 3   | <ul style="list-style-type: none"> <li>Disconnect the plug P1 from the J641, and then connect P1 to the J640.</li> <li>Receiving</li> </ul>  |  | Push [MENU (GO)] to set adjustment value.  |
|                              | 4   | <ul style="list-style-type: none"> <li>Disconnect the plug P1 from the J641, and then connect P1 to the J642 after adjustment is finished.</li> </ul>  |  |  |
| TUNER RELAY                  | 1   | <ul style="list-style-type: none"> <li>Enter tuner relay check mode.</li> <li>Receiving</li> </ul>   |  | <ul style="list-style-type: none"> <li>Push [MENU (GO)], and listen to the relay sounds while relay is working at even intervals.</li> <li>Verify the sounds which is whether continuous sounds or not.</li> </ul> |
|                              | <p><b>NOTE:</b> In case of not continuous relay sounds, verify the follow practice.</p> <ol style="list-style-type: none"> <li>Return to the tuner relay check mode (Displayed ).</li> <li>Push the "RIT" key for 2 seconds, then "GO" is blinking on the display.</li> <li>Find the wrong relay by verifying the each relay sounds.<br/>Turn the sub dial when switching to the other relays.</li> </ol> |  |  |  |



# SECTION 5 PARTS LIST

## [VR UNIT]

| REF NO. | ORDER NO.  | DESCRIPTION |                              |
|---------|------------|-------------|------------------------------|
| R1      | 7210002780 | VARIABLE    | RV-300 (RK0972210) 10KB/10KB |
| R2      | 7210002940 | VARIABLE    | TP96D231E20-20F-10KB-1897    |
| J1      | 6510018890 | S.CONNECTOR | 52559-1390                   |
| S1      | 2220000540 | SWITCH      | SW-162 (SSSS22-2-11)         |
| EP1     | 0910055780 | PCB         | B 5913                       |

## [JACK UNIT]

| REF NO. | ORDER NO.  | DESCRIPTION |                   |
|---------|------------|-------------|-------------------|
| J1      | 6510023460 | S.CONNETOR  | 08FMN-BMTTR-A-TBT |
| EP1     | 0910055741 | PCB         | B 5915A           |

## [FRONT UNIT]

| REF NO. | ORDER NO.  | DESCRIPTION |                     |
|---------|------------|-------------|---------------------|
| W1      | 8900006040 | CABLE       | OPC-593 (N:13 L:50) |
| W2      | 8900006251 | CABLE       | OPC-610A            |
| EP1     | 0880001360 | UNIT BOARD  | EX-2500 #02         |

## [DISPLAY UNIT]

| REF NO. | ORDER NO.  | DESCRIPTION  |                           |
|---------|------------|--------------|---------------------------|
| IC2     | 1130007960 | S.IC         | SED1522F0C (QFP15-100PIN) |
| IC3     | 1130008130 | S.IC         | TC7W32FU (TE12L)          |
| IC4     | 1110005780 | S.IC         | S-80945CLMC-G7F-T2        |
| IC5     | 1110005760 | S.IC         | S-812C50AUA-C3E-T2        |
| IC6     | 1140011250 | S.IC         | HD6473847RH (SX-2591C)    |
| Q1      | 1590002310 | S.TRANSISTOR | DTC114EE TL               |
| Q2      | 1520000460 | S.TRANSISTOR | 2SB1132 T100 R            |
| Q3      | 1530002060 | S.TRANSISTOR | 2SC4081 T106 R            |
| Q4      | 1560001290 | S.FET        | 2SK3065 T100              |
| Q10     | 1530002060 | S.TRANSISTOR | 2SC4081 T106 R            |
| Q11     | 1520000380 | TRANSISTOR   | 2SB1143 S                 |
| Q12     | 1590002370 | S.TRANSISTOR | XP4111 (TX)               |
| Q13     | 1520000460 | S.TRANSISTOR | 2SB1132 T100 R            |
| Q14     | 1530002060 | S.TRANSISTOR | 2SC4081 T106 R            |
| Q15     | 1590001870 | S.TRANSISTOR | DTA114EE TL               |
| Q16     | 1590002770 | S.FET        | CPH3404-TL                |
| Q18     | 1590002370 | S.TRANSISTOR | XP4111 (TX)               |
| Q50     | 1520000460 | S.TRANSISTOR | 2SB1132 T100 R            |
| Q51     | 1530002060 | S.TRANSISTOR | 2SC4081 T106 R            |

## [DISPLAY UNIT]

| REF NO. | ORDER NO.  | DESCRIPTION |                         |
|---------|------------|-------------|-------------------------|
| D1      | 1750000370 | S.DIODE     | DA221 TL                |
| D2      | 1750000370 | S.DIODE     | DA221 TL                |
| D3      | 1750000370 | S.DIODE     | DA221 TL                |
| D5      | 1790001250 | S.DIODE     | MA2S111-(TX)            |
| D6      | 1790001250 | S.DIODE     | MA2S111-(TX)            |
| D7      | 1160000140 | S.DIODE     | DAP222 TL               |
| D9      | 1790001250 | S.DIODE     | MA2S111-(TX)            |
| D10     | 1790001250 | S.DIODE     | MA2S111-(TX)            |
| D11     | 1750000520 | S.DIODE     | DAN222TL                |
| D12     | 1790001250 | S.DIODE     | MA2S111-(TX)            |
| D13     | 1750000520 | S.DIODE     | DAN222TL                |
| D14     | 1160000140 | S.DIODE     | DAP222 TL               |
| D15     | 1160000140 | S.DIODE     | DAP222 TL               |
| D16     | 1160000140 | S.DIODE     | DAP222 TL               |
| D50     | 1750000520 | S.DIODE     | DAN222TL                |
| D51     | 1790001250 | S.DIODE     | MA2S111-(TX)            |
| X1      | 6050009870 | S.XTAL      | CR-567 (9.8304 MHz)     |
| L1      | 6200003260 | S.COIL      | NL 322522T-101J         |
| L2      | 6200003950 | S.COIL      | HF50ACC 322513-T        |
| L3      | 6200003950 | S.COIL      | HF50ACC 322513-T        |
| L4      | 6200003950 | S.COIL      | HF50ACC 322513-T        |
| L5      | 6200003950 | S.COIL      | HF50ACC 322513-T        |
| L29     | 6200003520 | S.COIL      | ELJFB 102K-F            |
| L30     | 6200008420 | S.COIL      | HF50ACC 453215P-T       |
| L31     | 6200008420 | S.COIL      | HF50ACC 453215P-T       |
| R2      | 7030003400 | S.RESISTOR  | ERJ3GEYJ 471 V (470 Ω)  |
| R3      | 7030003400 | S.RESISTOR  | ERJ3GEYJ 471 V (470 Ω)  |
| R4      | 7030003440 | S.RESISTOR  | ERJ3GEYJ 102 V (1 kΩ)   |
| R5      | 7030003340 | S.RESISTOR  | ERJ3GEYJ 151 V (150 Ω)  |
| R6      | 7030003440 | S.RESISTOR  | ERJ3GEYJ 102 V (1 kΩ)   |
| R7      | 7030003440 | S.RESISTOR  | ERJ3GEYJ 102 V (1 kΩ)   |
| R8      | 7030003590 | S.RESISTOR  | ERJ3GEYJ 183 V (18 kΩ)  |
| R9      | 7030003560 | S.RESISTOR  | ERJ3GEYJ 103 V (10 kΩ)  |
| R10     | 7030003590 | S.RESISTOR  | ERJ3GEYJ 183 V (18 kΩ)  |
| R11     | 7030003560 | S.RESISTOR  | ERJ3GEYJ 103 V (10 kΩ)  |
| R12     | 7030003590 | S.RESISTOR  | ERJ3GEYJ 183 V (18 kΩ)  |
| R13     | 7030003560 | S.RESISTOR  | ERJ3GEYJ 103 V (10 kΩ)  |
| R14     | 7030003590 | S.RESISTOR  | ERJ3GEYJ 183 V (18 kΩ)  |
| R15     | 7030003560 | S.RESISTOR  | ERJ3GEYJ 103 V (10 kΩ)  |
| R16     | 7030003590 | S.RESISTOR  | ERJ3GEYJ 183 V (18 kΩ)  |
| R17     | 7030003560 | S.RESISTOR  | ERJ3GEYJ 103 V (10 kΩ)  |
| R18     | 7030003590 | S.RESISTOR  | ERJ3GEYJ 183 V (18 kΩ)  |
| R19     | 7030003560 | S.RESISTOR  | ERJ3GEYJ 103 V (10 kΩ)  |
| R20     | 7030003560 | S.RESISTOR  | ERJ3GEYJ 103 V (10 kΩ)  |
| R21     | 7030003560 | S.RESISTOR  | ERJ3GEYJ 103 V (10 kΩ)  |
| R22     | 7030003560 | S.RESISTOR  | ERJ3GEYJ 103 V (10 kΩ)  |
| R23     | 7030003560 | S.RESISTOR  | ERJ3GEYJ 103 V (10 kΩ)  |
| R24     | 7030003560 | S.RESISTOR  | ERJ3GEYJ 103 V (10 kΩ)  |
| R25     | 7030003560 | S.RESISTOR  | ERJ3GEYJ 103 V (10 kΩ)  |
| R26     | 7030003520 | S.RESISTOR  | ERJ3GEYJ 472 V (4.7 kΩ) |
| R27     | 7030003520 | S.RESISTOR  | ERJ3GEYJ 472 V (4.7 kΩ) |
| R29     | 7030003520 | S.RESISTOR  | ERJ3GEYJ 472 V (4.7 kΩ) |
| R30     | 7030003440 | S.RESISTOR  | ERJ3GEYJ 102 V (1 kΩ)   |
| R33     | 7030006190 | S.RESISTOR  | ERJ12YJ2R2U (2.2 Ω)     |
| R36     | 7030003440 | S.RESISTOR  | ERJ3GEYJ 102 V (1 kΩ)   |
| R37     | 7030003600 | S.RESISTOR  | ERJ3GEYJ 223 V (22 kΩ)  |
| R38     | 7030007520 | S.RESISTOR  | ERJ8ENF 1000V (100 Ω)   |
| R39     | 7030007520 | S.RESISTOR  | ERJ8ENF 1000V (100 Ω)   |
| R40     | 7030003640 | S.RESISTOR  | ERJ3GEYJ 473 V (47 kΩ)  |
| R41     | 7030003640 | S.RESISTOR  | ERJ3GEYJ 473 V (47 kΩ)  |
| R42     | 7030003440 | S.RESISTOR  | ERJ3GEYJ 102 V (1 kΩ)   |
| R44     | 7030003500 | S.RESISTOR  | ERJ3GEYJ 332 V (3.3 kΩ) |
| R45     | 7030003500 | S.RESISTOR  | ERJ3GEYJ 332 V (3.3 kΩ) |
| R46     | 7030003480 | S.RESISTOR  | ERJ3GEYJ 222 V (2.2 kΩ) |
| R47     | 7030003640 | S.RESISTOR  | ERJ3GEYJ 473 V (47 kΩ)  |
| R49     | 7030003440 | S.RESISTOR  | ERJ3GEYJ 102 V (1 kΩ)   |

Ⓐ: [EUR], [EUR-1], [USA], [USA-1], [KOR], [KOR-1]

Ⓒ: [FRA], [FRA-1], [ITA], [ITA-1]

Ⓔ: [FRA], [FRA-1], [ESP], [ESP-1], [KOR], [KOR-1], [ITA], [ITA-1]

Ⓑ: [EUR], [EUR-1], [ESP], [ESP-1], [OTH], [OTH-1]

Ⓓ: [ESP], [ESP-1], [KOR], [KOR-1], [ITA], [ITA-1]

Ⓕ: [FRA], [FRA-1], [ESP], [ESP-1], [OTH], [OTH-1], [ITA], [ITA-1]

S.=Surface mount

[DISPLAY UNIT]

| REF NO. | ORDER NO.  | DESCRIPTION |                         |
|---------|------------|-------------|-------------------------|
| R50     | 7030003800 | S.RESISTOR  | ERJ3GEYJ 105 V (1 MΩ)   |
| R51     | 7030003420 | S.RESISTOR  | ERJ3GEYJ 681 V (680 Ω)  |
| R52     | 7030003560 | S.RESISTOR  | ERJ3GEYJ 103 V (10 kΩ)  |
| R53     | 7030003540 | S.RESISTOR  | ERJ3GEYJ 682 V (6.8 kΩ) |
| R54     | 7030003430 | S.RESISTOR  | ERJ3GEYJ 821 V (820 Ω)  |
| R65     | 7030003560 | S.RESISTOR  | ERJ3GEYJ 103 V (10 kΩ)  |
| R66     | 7030003560 | S.RESISTOR  | ERJ3GEYJ 103 V (10 kΩ)  |
| R67     | 7030003560 | S.RESISTOR  | ERJ3GEYJ 103 V (10 kΩ)  |
| R68     | 7030003560 | S.RESISTOR  | ERJ3GEYJ 103 V (10 kΩ)  |
| R69     | 7030003520 | S.RESISTOR  | ERJ3GEYJ 472 V (4.7 kΩ) |
| R70     | 7030003520 | S.RESISTOR  | ERJ3GEYJ 472 V (4.7 kΩ) |
| R71     | 7030003520 | S.RESISTOR  | ERJ3GEYJ 472 V (4.7 kΩ) |
| R72     | 7030003520 | S.RESISTOR  | ERJ3GEYJ 472 V (4.7 kΩ) |
| R73     | 7030003520 | S.RESISTOR  | ERJ3GEYJ 472 V (4.7 kΩ) |
| R74     | 7030003680 | S.RESISTOR  | ERJ3GEYJ 104 V (100 kΩ) |
| R75     | 7030003680 | S.RESISTOR  | ERJ3GEYJ 104 V (100 kΩ) |
| R76     | 7030003840 | S.RESISTOR  | ERJ3GEYJ 225 V (2.2 MΩ) |
| R85     | 7030003680 | S.RESISTOR  | ERJ3GEYJ 104 V (100 kΩ) |
| R92     | 7030003440 | S.RESISTOR  | ERJ3GEYJ 102 V (1 kΩ)   |
| R93     | 7030003440 | S.RESISTOR  | ERJ3GEYJ 102 V (1 kΩ)   |
| R96     | 7030003200 | S.RESISTOR  | ERJ3GEYJ 100 V (10 Ω)   |
| R97     | 7030003390 | S.RESISTOR  | ERJ3GEYJ 391 V (390 Ω)  |
| R98     | 7030003560 | S.RESISTOR  | ERJ3GEYJ 103 V (10 kΩ)  |
| R99     | 7030003340 | S.RESISTOR  | ERJ3GEYJ 151 V (150 Ω)  |
| R100    | 7030003800 | S.RESISTOR  | ERJ3GEYJ 105 V (1 MΩ)   |
| R101    | 7030003680 | S.RESISTOR  | ERJ3GEYJ 104 V (100 kΩ) |
| R102    | 7030003720 | S.RESISTOR  | ERJ3GEYJ 224 V (220 kΩ) |
| R103    | 7030003680 | S.RESISTOR  | ERJ3GEYJ 104 V (100 kΩ) |
| R104    | 7030003800 | S.RESISTOR  | ERJ3GEYJ 105 V (1 MΩ)   |
| R105    | 7030003680 | S.RESISTOR  | ERJ3GEYJ 104 V (100 kΩ) |
| R106    | 7030003720 | S.RESISTOR  | ERJ3GEYJ 224 V (220 kΩ) |
| R107    | 7030003680 | S.RESISTOR  | ERJ3GEYJ 104 V (100 kΩ) |
| R108    | 7030003640 | S.RESISTOR  | ERJ3GEYJ 473 V (47 kΩ)  |
| R109    | 7030003420 | S.RESISTOR  | ERJ3GEYJ 681 V (680 Ω)  |
| R110    | 7030003560 | S.RESISTOR  | ERJ3GEYJ 103 V (10 kΩ)  |
| R111    | 7030003480 | S.RESISTOR  | ERJ3GEYJ 222 V (2.2 kΩ) |
| R112    | 7030003490 | S.RESISTOR  | ERJ3GEYJ 272 V (2.7 kΩ) |
| R113    | 7030003420 | S.RESISTOR  | ERJ3GEYJ 681 V (680 Ω)  |
| R114    | 7030003560 | S.RESISTOR  | ERJ3GEYJ 103 V (10 kΩ)  |
| R115    | 7030003520 | S.RESISTOR  | ERJ3GEYJ 472 V (4.7 kΩ) |
| R116    | 7030003430 | S.RESISTOR  | ERJ3GEYJ 821 V (820 Ω)  |
| R117    | 7030003420 | S.RESISTOR  | ERJ3GEYJ 681 V (680 Ω)  |
| R118    | 7030003460 | S.RESISTOR  | ERJ3GEYJ 152 V (1.5 kΩ) |
| R119    | 7030003420 | S.RESISTOR  | ERJ3GEYJ 681 V (680 Ω)  |
| R120    | 7030003460 | S.RESISTOR  | ERJ3GEYJ 152 V (1.5 kΩ) |
| R121    | 7030003470 | S.RESISTOR  | ERJ3GEYJ 182 V (1.8 kΩ) |
| R122    | 7030003420 | S.RESISTOR  | ERJ3GEYJ 681 V (680 Ω)  |
| R123    | 7030003390 | S.RESISTOR  | ERJ3GEYJ 391 V (390 Ω)  |
| R124    | 7030003390 | S.RESISTOR  | ERJ3GEYJ 391 V (390 Ω)  |
| R125    | 7030003390 | S.RESISTOR  | ERJ3GEYJ 391 V (390 Ω)  |
| R126    | 7030003390 | S.RESISTOR  | ERJ3GEYJ 391 V (390 Ω)  |
| R127    | 7030003390 | S.RESISTOR  | ERJ3GEYJ 391 V (390 Ω)  |
| R128    | 7030003390 | S.RESISTOR  | ERJ3GEYJ 391 V (390 Ω)  |
| R129    | 7030003390 | S.RESISTOR  | ERJ3GEYJ 391 V (390 Ω)  |
| R130    | 7030003390 | S.RESISTOR  | ERJ3GEYJ 391 V (390 Ω)  |
| R131    | 7030003450 | S.RESISTOR  | ERJ3GEYJ 122 V (1.2 kΩ) |
| R132    | 7030003450 | S.RESISTOR  | ERJ3GEYJ 122 V (1.2 kΩ) |
| R133    | 7030003450 | S.RESISTOR  | ERJ3GEYJ 122 V (1.2 kΩ) |
| R134    | 7030003450 | S.RESISTOR  | ERJ3GEYJ 122 V (1.2 kΩ) |
| R135    | 7030003450 | S.RESISTOR  | ERJ3GEYJ 122 V (1.2 kΩ) |
| R136    | 7030003450 | S.RESISTOR  | ERJ3GEYJ 122 V (1.2 kΩ) |
| R137    | 7030003450 | S.RESISTOR  | ERJ3GEYJ 122 V (1.2 kΩ) |
| R138    | 7030003450 | S.RESISTOR  | ERJ3GEYJ 122 V (1.2 kΩ) |
| R140    | 7030003430 | S.RESISTOR  | ERJ3GEYJ 821 V (820 Ω)  |
| R141    | 7030003430 | S.RESISTOR  | ERJ3GEYJ 821 V (820 Ω)  |
| R143    | 7030003800 | S.RESISTOR  | ERJ3GEYJ 105 V (1 MΩ)   |
| C1      | 4030006880 | S.CERAMIC   | C1608 JB 1H 472K-T      |
| C2      | 4030006880 | S.CERAMIC   | C1608 JB 1H 472K-T      |
| C4      | 4030006880 | S.CERAMIC   | C1608 JB 1H 472K-T      |
| C5      | 4030012610 | S.CERAMIC   | C2012 JB 1C 474K-T      |
| C7      | 4030006880 | S.CERAMIC   | C1608 JB 1H 472K-T      |
| C8      | 4030006880 | S.CERAMIC   | C1608 JB 1H 472K-T      |
| C9      | 4030006880 | S.CERAMIC   | C1608 JB 1H 472K-T      |
| C10     | 4030007020 | S.CERAMIC   | C1608 CH 1H 120J-T      |
| C11     | 4030007020 | S.CERAMIC   | C1608 CH 1H 120J-T      |
| C14     | 4030011600 | S.CERAMIC   | C1608 JB 1E 104K-T      |

Ⓐ: [EUR], [EUR-1], [USA], [USA-1], [KOR], [KOR-1]  
 ①: [FRA], [FRA-1], [ITA], [ITA-1]  
 ②: [FRA], [FRA-1], [ESP], [ESP-1], [KOR], [KOR-1], [ITA], [ITA-1]

[DISPLAY UNIT]

| REF NO. | ORDER NO.   | DESCRIPTION |                    |
|---------|-------------|-------------|--------------------|
| C18     | 4550002980  | S.TANTALUM  | TEMSVA 1C 225M-8L  |
| C19     | 4030011600  | S.CERAMIC   | C1608 JB 1E 104K-T |
| C20     | 4550002980  | S.TANTALUM  | TEMSVA 1C 225M-8L  |
| C21     | 4550002980  | S.TANTALUM  | TEMSVA 1C 225M-8L  |
| C22     | 4030011600  | S.CERAMIC   | C1608 JB 1E 104K-T |
| C23     | 4030011600  | S.CERAMIC   | C1608 JB 1E 104K-T |
| C24     | 4550002980  | S.TANTALUM  | TEMSVA 1C 225M-8L  |
| C25     | 4030011600  | S.CERAMIC   | C1608 JB 1E 104K-T |
| C27     | 4550002980  | S.TANTALUM  | TEMSVA 1C 225M-8L  |
| C28     | 4550002980  | S.TANTALUM  | TEMSVA 1C 225M-8L  |
| C29     | 4030011600  | S.CERAMIC   | C1608 JB 1E 104K-T |
| C31     | 4030006880  | S.CERAMIC   | C1608 JB 1H 472K-T |
| C32     | 4030006880  | S.CERAMIC   | C1608 JB 1H 472K-T |
| C33     | 4030006880  | S.CERAMIC   | C1608 JB 1H 472K-T |
| C34     | 4030006850  | S.CERAMIC   | C1608 JB 1H 471K-T |
| C35     | 4030006860  | S.CERAMIC   | C1608 JB 1H 102K-T |
| C36     | 4030006860  | S.CERAMIC   | C1608 JB 1H 102K-T |
| C37     | 4030011600  | S.CERAMIC   | C1608 JB 1E 104K-T |
| C38     | 4030008890  | S.CERAMIC   | C1608 JB 1H 273K-T |
| C39     | 4030011600  | S.CERAMIC   | C1608 JB 1E 104K-T |
| C40     | 4030011600  | S.CERAMIC   | C1608 JB 1E 104K-T |
| C41     | 4030011600  | S.CERAMIC   | C1608 JB 1E 104K-T |
| C42     | 4030006880  | S.CERAMIC   | C1608 JB 1H 472K-T |
| C43     | 4030011600  | S.CERAMIC   | C1608 JB 1E 104K-T |
| C44     | 4550002980  | S.TANTALUM  | TEMSVA 1C 225M-8L  |
| C45     | 4030011600  | S.CERAMIC   | C1608 JB 1E 104K-T |
| C50     | 4030011600  | S.CERAMIC   | C1608 JB 1E 104K-T |
| C51     | 4030011340  | S.CERAMIC   | C1608 CH 1H 471J-T |
| C52     | 4030011340  | S.CERAMIC   | C1608 CH 1H 471J-T |
| C53     | 4030011340  | S.CERAMIC   | C1608 CH 1H 471J-T |
| C54     | 4030011340  | S.CERAMIC   | C1608 CH 1H 471J-T |
| J1      | 6510019120  | S.CONNECTOR | S8B-PH-SM3-TB      |
| J2      | 6450001630  | CONNECTOR   | HSJ1406-01-050     |
| J3      | 6510018890  | S.CONNECTOR | 52559-1390         |
| J5      | 6510020420  | S.CONNECTOR | S4B-PH-SM3-TB      |
| DS1     | 5040002020  | S.LED       | CL-170UR-CD-T      |
| DS2     | 5040002010  | S.LED       | CL-170PG-CD-T      |
| DS3     | 5040002020  | S.LED       | CL-170UR-CD-T      |
| DS4     | 5030001670  | LCD         | DLC-8309YBGF       |
| DS5     | 5030002560  | LCD         | CV1073 SX2591      |
| S1      | 2260002250  | S.SWITCH    | LS22BB-2SD-PG-T    |
| S2      | 2260002250  | S.SWITCH    | LS22BB-2SD-PG-T    |
| S3      | 2260002540  | S.SWITCH    | SKQHFC             |
| S4      | 2260002540  | S.SWITCH    | SKQHFC             |
| S5      | 2260002540  | S.SWITCH    | SKQHFC             |
| S6      | 2260002540  | S.SWITCH    | SKQHFC             |
| S7      | 2260002540  | S.SWITCH    | SKQHFC             |
| S8      | 2260002540  | S.SWITCH    | SKQHFC             |
| S9      | 2260002540  | S.SWITCH    | SKQHFC             |
| S10     | 2260002540  | S.SWITCH    | SKQHFC             |
| S11     | 2260002540  | S.SWITCH    | SKQHFC             |
| S12     | 2260002540  | S.SWITCH    | SKQHFC             |
| S13     | 2260002250  | S.SWITCH    | LS22BB-2SD-PG-T    |
| S14     | 2260001680  | S.SWITCH    | SKQDPB             |
| W1      | 7030003860  | S.JUMPER    | ERJ3GE JPW V       |
| W2      | 7120000470  | JUMPER      | ERDS2T0            |
| W3      | 7120000470  | JUMPER      | ERDS2T0            |
| W4      | 7030003860  | S.JUMPER    | ERJ3GE JPW V       |
| EP1     | 0910055774  | PCB         | B 5905D            |
| EP2     | 6910012350  | S.BEAD      | MMZ1608Y 102BT     |
| EP6     | 6910012350  | S.BEAD      | MMZ1608Y 102BT     |
| EP7     | 89300059720 | LCD CONTACT | SRCN-2591-SP-N-W   |

Ⓑ: [EUR], [EUR-1], [ESP], [ESP-1], [OTH], [OTH-1]  
 ③: [ESP], [ESP-1], [KOR], [KOR-1], [ITA], [ITA-1]  
 ④: [FRA], [FRA-1], [ESP], [ESP-1], [OTH], [OTH-1], [ITA], [ITA-1]

S.=Surface mount

[PA UNIT]

| REF NO. | ORDER NO.  | DESCRIPTION  |                            |
|---------|------------|--------------|----------------------------|
| IC1     | 1180002010 | S.REG        | BA08FP-E2                  |
| IC560   | 1110002700 | S.IC         | NJM2904M-TE1               |
| IC600   | 1140010671 | S.IC         | ISPLSI2064VE-100LT100 I002 |
| IC601   | 1130006800 | S.IC         | TC7W08F (TE12L)            |
| IC640   | 1110001590 | S.IC         | TA75393F (TP1)             |
| IC641   | 1130005640 | S.IC         | TC4W53F (TE12L)            |
| Q80     | 1560001260 | S.FET        | 2SK3018 T106               |
| Q81     | 1560001220 | S.FET        | ECH8301-TL                 |
| Q101    | 1560001100 | S.FET        | 2SK3074 (TE12L)            |
| Q150    | 1560001240 | S.FET        | RD01MUS1                   |
| Q200    | 1560001230 | S.FET        | RD07MVS1                   |
| Q201    | 1560001230 | S.FET        | RD07MVS1                   |
| Q250    | 1560001260 | S.FET        | 2SK3018 T106               |
| Q300    | 1530003090 | S.TRANSISTOR | 2SC4213-B (TE85R)          |
| Q400    | 1560001250 | S.FET        | UM5KIN-TR                  |
| Q401    | 1560001250 | S.FET        | UM5KIN-TR                  |
| Q420    | 1560001250 | S.FET        | UM5KIN-TR                  |
| Q421    | 1560001250 | S.FET        | UM5KIN-TR                  |
| Q440    | 1560001250 | S.FET        | UM5KIN-TR                  |
| Q441    | 1560001250 | S.FET        | UM5KIN-TR                  |
| Q460    | 1560001250 | S.FET        | UM5KIN-TR                  |
| Q461    | 1560001250 | S.FET        | UM5KIN-TR                  |
| Q480    | 1560001250 | S.FET        | UM5KIN-TR                  |
| Q481    | 1560001250 | S.FET        | UM5KIN-TR                  |
| Q500    | 1560001250 | S.FET        | UM5KIN-TR                  |
| Q501    | 1560001250 | S.FET        | UM5KIN-TR                  |
| Q520    | 1560001250 | S.FET        | UM5KIN-TR                  |
| Q521    | 1560001250 | S.FET        | UM5KIN-TR                  |
| Q602    | 1510000500 | S.TRANSISTOR | 2SA1162-GR (TE85R)         |
| Q603    | 1560001260 | S.FET        | 2SK3018 T106               |
| Q640    | 1560001260 | S.FET        | 2SK3018 T106               |
| Q641    | 1560000560 | S.FET        | 2SK882-GR (TE85L)          |
| Q642    | 1560001260 | S.FET        | 2SK3018 T106               |
| Q643    | 1560000560 | S.FET        | 2SK882-GR (TE85L)          |
| Q644    | 1590001330 | S.TRANSISTOR | DTA114EUA T106             |
| Q645    | 1560001260 | S.FET        | 2SK3018 T106               |
| Q646    | 1560001260 | S.FET        | 2SK3018 T106               |
| Q700    | 1560001250 | S.FET        | UM5KIN-TR                  |
| Q701    | 1560001250 | S.FET        | UM5KIN-TR                  |
| Q702    | 1560001250 | S.FET        | UM5KIN-TR                  |
| Q703    | 1560001250 | S.FET        | UM5KIN-TR                  |
| Q704    | 1560001250 | S.FET        | UM5KIN-TR                  |
| Q705    | 1560001250 | S.FET        | UM5KIN-TR                  |
| Q706    | 1560001250 | S.FET        | UM5KIN-TR                  |
| Q707    | 1560001250 | S.FET        | UM5KIN-TR                  |
| Q708    | 1560001250 | S.FET        | UM5KIN-TR                  |
| Q709    | 1560001250 | S.FET        | UM5KIN-TR                  |
| Q800    | 1560001250 | S.FET        | UM5KIN-TR                  |
| Q801    | 1560001250 | S.FET        | UM5KIN-TR                  |
| Q802    | 1560001250 | S.FET        | UM5KIN-TR                  |
| Q803    | 1560001250 | S.FET        | UM5KIN-TR                  |
| Q804    | 1560001250 | S.FET        | UM5KIN-TR                  |
| Q805    | 1560001250 | S.FET        | UM5KIN-TR                  |
| Q806    | 1560001250 | S.FET        | UM5KIN-TR                  |
| Q807    | 1560001250 | S.FET        | UM5KIN-TR                  |
| Q808    | 1560001250 | S.FET        | UM5KIN-TR                  |
| Q809    | 1560001250 | S.FET        | UM5KIN-TR                  |
| Q810    | 1560001250 | S.FET        | UM5KIN-TR                  |
| Q811    | 1530002570 | S.TRANSISTOR | 2SC4405-3-TL               |
| Q900    | 1560001220 | S.FET        | ECH8301-TL                 |
| Q902    | 1560001260 | S.FET        | 2SK3018 T106               |
| D80     | 1790000700 | DIODE        | DSA3A1                     |
| D250    | 1750000550 | S.DIODE      | 1SS355 TE-17               |
| D300    | 1750000850 | S.DIODE      | MMBV3700LT1                |
| D400    | 1160000070 | S.DIODE      | DAN202K T146               |
| D401    | 1160000070 | S.DIODE      | DAN202K T146               |
| D420    | 1160000070 | S.DIODE      | DAN202K T146               |
| D421    | 1160000070 | S.DIODE      | DAN202K T146               |
| D440    | 1160000070 | S.DIODE      | DAN202K T146               |
| D441    | 1160000070 | S.DIODE      | DAN202K T146               |
| D460    | 1160000070 | S.DIODE      | DAN202K T146               |
| D461    | 1160000070 | S.DIODE      | DAN202K T146               |
| D480    | 1160000070 | S.DIODE      | DAN202K T146               |
| D481    | 1160000070 | S.DIODE      | DAN202K T146               |

Ⓐ only  
Ⓐ only

[PA UNIT]

| REF NO. | ORDER NO.  | DESCRIPTION |                       |
|---------|------------|-------------|-----------------------|
| D500    | 1160000070 | S.DIODE     | DAN202K T146          |
| D501    | 1160000070 | S.DIODE     | DAN202K T146          |
| D520    | 1160000070 | S.DIODE     | DAN202K T146          |
| D521    | 1160000070 | S.DIODE     | DAN202K T146          |
| D560    | 1750000950 | S.DIODE     | MA732 (TX)            |
| D561    | 1750000950 | S.DIODE     | MA732 (TX)            |
| D562    | 1750000950 | S.DIODE     | MA732 (TX)            |
| D563    | 1750000950 | S.DIODE     | MA732 (TX)            |
| D640    | 1790001790 | S.DIODE     | RB876W TL             |
| D641    | 1750000550 | S.DIODE     | 1SS355 TE-17          |
| D642    | 1750000370 | S.DIODE     | DA221 TL              |
| D643    | 1750000430 | S.DIODE     | HSB88WSTR             |
| D644    | 1790001250 | S.DIODE     | MA2S111-(TX)          |
| D645    | 1790001790 | S.DIODE     | RB876W TL             |
| D646    | 1790001790 | S.DIODE     | RB876W TL             |
| D647    | 1750000550 | S.DIODE     | 1SS355 TE-17          |
| D750    | 1160000070 | S.DIODE     | DAN202K T146          |
| D751    | 1160000070 | S.DIODE     | DAN202K T146          |
| D752    | 1160000070 | S.DIODE     | DAN202K T146          |
| D753    | 1160000070 | S.DIODE     | DAN202K T146          |
| D754    | 1160000070 | S.DIODE     | DAN202K T146          |
| D755    | 1160000070 | S.DIODE     | DAN202K T146          |
| D756    | 1160000070 | S.DIODE     | DAN202K T146          |
| D757    | 1160000070 | S.DIODE     | DAN202K T146          |
| D758    | 1160000070 | S.DIODE     | DAN202K T146          |
| D759    | 1160000070 | S.DIODE     | DAN202K T146          |
| D850    | 1160000070 | S.DIODE     | DAN202K T146          |
| D851    | 1160000070 | S.DIODE     | DAN202K T146          |
| D852    | 1160000070 | S.DIODE     | DAN202K T146          |
| D853    | 1160000070 | S.DIODE     | DAN202K T146          |
| D854    | 1160000070 | S.DIODE     | DAN202K T146          |
| D855    | 1160000070 | S.DIODE     | DAN202K T146          |
| D856    | 1160000070 | S.DIODE     | DAN202K T146          |
| D857    | 1160000070 | S.DIODE     | DAN202K T146          |
| D858    | 1160000070 | S.DIODE     | DAN202K T146          |
| D859    | 1160000070 | S.DIODE     | DAN202K T146          |
| D860    | 1160000070 | S.DIODE     | DAN202K T146          |
| L1      | 6200005010 | S.COIL      | NL 252018T-100J       |
| L2      | 6200001830 | S.COIL      | NL 322522T-100J       |
| L3      | 2040000490 | COIL        | EXC-ELDR25C           |
| L5      | 6200003030 | S.COIL      | NL 322522T-R47J-3     |
| L80     | 2040000490 | COIL        | EXC-ELDR25C           |
| L81     | 2040000490 | COIL        | EXC-ELDR25C           |
| L82     | 2040000490 | COIL        | EXC-ELDR25C           |
| L100    | 6200002640 | S.COIL      | NL 252018T-R15J       |
| L101    | 6200002040 | S.COIL      | NL 252018T-101J       |
| L151    | 6200003950 | S.COIL      | HF50ACC 322513-T      |
| L153    | 6140002350 | COIL        | LR-274 (RIB4X7X5 3A6) |
| L200    | 6150005310 | COIL        | LR-430                |
| L201    | 2040000490 | COIL        | EXC-ELDR25C           |
| L202    | 2040000490 | COIL        | EXC-ELDR25C           |
| L203    | 6110001630 | COIL        | LA-246                |
| L250    | 6200005010 | S.COIL      | NL 252018T-100J       |
| L300    | 6110001560 | COIL        | LA-236                |
| L301    | 6110001640 | COIL        | LA-247                |
| L400    | 6150005180 | COIL        | LR-417                |
| L401    | 6150005190 | COIL        | LR-418                |
| L402    | 6200001720 | S.COIL      | NL 322522T-1R0J       |
| L420    | 6150005200 | COIL        | LR-419                |
| L421    | 6150005210 | COIL        | LR-420                |
| L440    | 6150005220 | COIL        | LR-421                |
| L441    | 6150005230 | COIL        | LR-422                |
| L442    | 6150005230 | COIL        | LR-422                |
| L460    | 6150005250 | COIL        | LR-424                |
| L461    | 6150005240 | COIL        | LR-423                |
| L480    | 6150005280 | COIL        | LR-427                |
| L481    | 6150005260 | COIL        | LR-425                |
| L500    | 6150005270 | COIL        | LR-426                |
| L501    | 6150005270 | COIL        | LR-426                |
| L520    | 6110001640 | COIL        | LA-247                |
| L521    | 6110001650 | COIL        | LA-248                |
| L522    | 6110001650 | COIL        | LA-248                |
| L540    | 6200001720 | S.COIL      | NL 322522T-1R0J       |
| L560    | 6140003490 | COIL        | LR-391                |
| L640    | 6140002810 | S.COIL      | LR-317                |
| L641    | 6140002810 | S.COIL      | LR-317                |

Ⓐ only  
Ⓐ only

Ⓐ only  
Ⓐ only  
Ⓐ only

Ⓐ: [EUR], [EUR-1], [USA], [USA-1], [KOR], [KOR-1]  
 Ⓑ: [FRA], [FRA-1], [ITA], [ITA-1]  
 Ⓒ: [FRA], [FRA-1], [ESP], [ESP-1], [KOR], [KOR-1], [ITA], [ITA-1]

Ⓒ: [EUR], [EUR-1], [ESP], [ESP-1], [OTH], [OTH-1]  
 Ⓓ: [ESP], [ESP-1], [KOR], [KOR-1], [ITA], [ITA-1]  
 Ⓔ: [FRA], [FRA-1], [ESP], [ESP-1], [OTH], [OTH-1], [ITA], [ITA-1]

S.=Surface mount

[PA UNIT]

| REF NO. | ORDER NO.  | DESCRIPTION |                         |
|---------|------------|-------------|-------------------------|
| L642    | 6180003310 | COIL        | LR-436                  |
| L644    | 6200005010 | S.COIL      | NL 252018T-100J         |
| L645    | 6200005010 | S.COIL      | NL 252018T-100J         |
| L750    | 6110002750 | COIL        | LA-459                  |
| L751    | 6110002760 | COIL        | LA-460                  |
| L752    | 6110002770 | COIL        | LA-461                  |
| L753    | 6110003700 | COIL        | LA-567                  |
| L754    | 6110003710 | COIL        | LA-568                  |
| L755    | 6110003720 | COIL        | LA-569                  |
| L756    | 6110003730 | COIL        | LA-570                  |
| L757    | 6150005290 | COIL        | LR-428                  |
| L758    | 6150005300 | COIL        | LR-429                  |
| L761    | 6200003280 | S.COIL      | NL 252018T-2R2J         |
| L762    | 6200003280 | S.COIL      | NL 252018T-2R2J         |
| L763    | 6200003280 | S.COIL      | NL 252018T-2R2J         |
| L764    | 6200003280 | S.COIL      | NL 252018T-2R2J         |
| L765    | 6200003280 | S.COIL      | NL 252018T-2R2J         |
| L766    | 6200003280 | S.COIL      | NL 252018T-2R2J         |
| L767    | 6200003280 | S.COIL      | NL 252018T-2R2J         |
| L768    | 6200003280 | S.COIL      | NL 252018T-2R2J         |
| L769    | 6200003280 | S.COIL      | NL 252018T-2R2J         |
| L770    | 6200003280 | S.COIL      | NL 252018T-2R2J         |
| L850    | 6200003280 | S.COIL      | NL 252018T-2R2J         |
| L851    | 6200003280 | S.COIL      | NL 252018T-2R2J         |
| L852    | 6200003280 | S.COIL      | NL 252018T-2R2J         |
| L853    | 6200003280 | S.COIL      | NL 252018T-2R2J         |
| L854    | 6200003280 | S.COIL      | NL 252018T-2R2J         |
| L855    | 6200003280 | S.COIL      | NL 252018T-2R2J         |
| L856    | 6200003280 | S.COIL      | NL 252018T-2R2J         |
| L857    | 6200003280 | S.COIL      | NL 252018T-2R2J         |
| L858    | 6200003280 | S.COIL      | NL 252018T-2R2J         |
| L859    | 6200003280 | S.COIL      | NL 252018T-2R2J         |
| L860    | 6200003280 | S.COIL      | NL 252018T-2R2J         |
| L890    | 2040000490 | COIL        | EXC-ELDR25C             |
| L900    | 6200003240 | S.COIL      | NL 322522T-221J         |
| L901    | 6200003240 | S.COIL      | NL 322522T-221J         |
| L902    | 6910003570 | COIL        | 2943-666663             |
| L903    | 6910003570 | COIL        | 2943-666663             |
| R1      | 7030003200 | S.RESISTOR  | ERJ3GEYJ 100 V (10 Ω)   |
| R2      | 7030003440 | S.RESISTOR  | ERJ3GEYJ 102 V (1 kΩ)   |
| R3      | 7030003440 | S.RESISTOR  | ERJ3GEYJ 102 V (1 kΩ)   |
| R4      | 7030003440 | S.RESISTOR  | ERJ3GEYJ 102 V (1 kΩ)   |
| R5      | 7030003440 | S.RESISTOR  | ERJ3GEYJ 102 V (1 kΩ)   |
| R40     | 7030003800 | S.RESISTOR  | ERJ3GEYJ 105 V (1 MΩ)   |
| R41     | 7030003440 | S.RESISTOR  | ERJ3GEYJ 102 V (1 kΩ)   |
| R42     | 7030003440 | S.RESISTOR  | ERJ3GEYJ 102 V (1 kΩ)   |
| R43     | 7030003200 | S.RESISTOR  | ERJ3GEYJ 100 V (10 Ω)   |
| R44     | 7030003440 | S.RESISTOR  | ERJ3GEYJ 102 V (1 kΩ)   |
| R45     | 7030003440 | S.RESISTOR  | ERJ3GEYJ 102 V (1 kΩ)   |
| R47     | 7030003440 | S.RESISTOR  | ERJ3GEYJ 102 V (1 kΩ)   |
| R48     | 7030003440 | S.RESISTOR  | ERJ3GEYJ 102 V (1 kΩ)   |
| R49     | 7030003800 | S.RESISTOR  | ERJ3GEYJ 105 V (1 MΩ)   |
| R51     | 7030003440 | S.RESISTOR  | ERJ3GEYJ 102 V (1 kΩ)   |
| R80     | 7030003680 | S.RESISTOR  | ERJ3GEYJ 104 V (100 kΩ) |
| R81     | 7030003640 | S.RESISTOR  | ERJ3GEYJ 473 V (47 kΩ)  |
| R82     | 7030003670 | S.RESISTOR  | ERJ3GEYJ 823 V (82 kΩ)  |
| R100    | 7030003570 | S.RESISTOR  | ERJ3GEYJ 123 V (12 kΩ)  |
| R101    | 7030003560 | S.RESISTOR  | ERJ3GEYJ 103 V (10 kΩ)  |
| R102    | 7030003300 | S.RESISTOR  | ERJ3GEYJ 680 V (68 Ω)   |
| R104    | 7030003490 | S.RESISTOR  | ERJ3GEYJ 272 V (2.7 kΩ) |
| R107    | 7030007190 | S.RESISTOR  | ERJ12YJ220U (22 Ω)      |
| R150    | 7310002760 | S.TRIMMER   | RV-152 (RH03A3AJ4X0HA)  |
| R151    | 7030003540 | S.RESISTOR  | ERJ3GEYJ 682 V (6.8 kΩ) |
| R152    | 7030000230 | S.RESISTOR  | MCR10EZJH 56 Ω (560)    |
| R153    | 7030003410 | S.RESISTOR  | ERJ3GEYJ 561 V (560 Ω)  |
| R154    | 7030000140 | S.RESISTOR  | MCR10EZJH 10 Ω (100)    |
| R155    | 7030010470 | S.RESISTOR  | ERJ1TYJ 5R6U (5.6 Ω)    |
| R156    | 7030000340 | S.RESISTOR  | MCR10EZJH 470 Ω (471)   |
| R158    | 7030003460 | S.RESISTOR  | ERJ3GEYJ 152 V (1.5 kΩ) |
| R159    | 7310004680 | TRIMMER     | EVM-2AGA00 B14 (103)    |
| R160    | 7030003480 | S.RESISTOR  | ERJ3GEYJ 222 V (2.2 kΩ) |
| R162    | 7030003460 | S.RESISTOR  | ERJ3GEYJ 152 V (1.5 kΩ) |
| R163    | 7030003480 | S.RESISTOR  | ERJ3GEYJ 222 V (2.2 kΩ) |
| R164    | 7310004680 | TRIMMER     | EVM-2AGA00 B14 (103)    |
| R201    | 7030000020 | S.RESISTOR  | MCR10EZJH 1 Ω (010)     |
| R202    | 7030000020 | S.RESISTOR  | MCR10EZJH 1 Ω (010)     |

[PA UNIT]

| REF NO. | ORDER NO.  | DESCRIPTION |                         |
|---------|------------|-------------|-------------------------|
| R203    | 7030000020 | S.RESISTOR  | MCR10EZJH 1 Ω (010)     |
| R204    | 7030000020 | S.RESISTOR  | MCR10EZJH 1 Ω (010)     |
| R205    | 7030000200 | S.RESISTOR  | MCR10EZJH 33 Ω (330)    |
| R206    | 7030000200 | S.RESISTOR  | MCR10EZJH 33 Ω (330)    |
| R207    | 7030003500 | S.RESISTOR  | ERJ3GEYJ 332 V (3.3 kΩ) |
| R208    | 7030003500 | S.RESISTOR  | ERJ3GEYJ 332 V (3.3 kΩ) |
| R210    | 7030010820 | S.RESISTOR  | ERJ1TYJ 221U (220 Ω)    |
| R211    | 7030010820 | S.RESISTOR  | ERJ1TYJ 221U (220 Ω)    |
| R213    | 7030003500 | S.RESISTOR  | ERJ3GEYJ 332 V (3.3 kΩ) |
| R214    | 7030003500 | S.RESISTOR  | ERJ3GEYJ 332 V (3.3 kΩ) |
| R216    | 7030010810 | S.RESISTOR  | ERX1HZJ R10H            |
| R250    | 7030003700 | S.RESISTOR  | ERJ3GEYJ 154 V (150 kΩ) |
| R251    | 7030003730 | S.RESISTOR  | ERJ3GEYJ 274 V (270 kΩ) |
| R300    | 7030003510 | S.RESISTOR  | ERJ3GEYJ 392 V (3.9 kΩ) |
| R301    | 7030003440 | S.RESISTOR  | ERJ3GEYJ 102 V (1 kΩ)   |
| R302    | 7030003440 | S.RESISTOR  | ERJ3GEYJ 102 V (1 kΩ)   |
| R303    | 7030003550 | S.RESISTOR  | ERJ3GEYJ 822 V (8.2 kΩ) |
| R304    | 7030003640 | S.RESISTOR  | ERJ3GEYJ 473 V (47 kΩ)  |
| R305    | 7030003560 | S.RESISTOR  | ERJ3GEYJ 103 V (10 kΩ)  |
| R306    | 7030003200 | S.RESISTOR  | ERJ3GEYJ 100 V (10 Ω)   |
| R400    | 7030003440 | S.RESISTOR  | ERJ3GEYJ 102 V (1 kΩ)   |
| R401    | 7030003440 | S.RESISTOR  | ERJ3GEYJ 102 V (1 kΩ)   |
| R402    | 7030003640 | S.RESISTOR  | ERJ3GEYJ 473 V (47 kΩ)  |
| R403    | 7030003640 | S.RESISTOR  | ERJ3GEYJ 473 V (47 kΩ)  |
| R404    | 7030003440 | S.RESISTOR  | ERJ3GEYJ 102 V (1 kΩ)   |
| R405    | 7030003440 | S.RESISTOR  | ERJ3GEYJ 102 V (1 kΩ)   |
| R406    | 7030003640 | S.RESISTOR  | ERJ3GEYJ 473 V (47 kΩ)  |
| R407    | 7030003640 | S.RESISTOR  | ERJ3GEYJ 473 V (47 kΩ)  |
| R408    | 7030000210 | S.RESISTOR  | MCR10EZJH 39 Ω (390)    |
| R409    | 7030000210 | S.RESISTOR  | MCR10EZJH 39 Ω (390)    |
| R420    | 7030003440 | S.RESISTOR  | ERJ3GEYJ 102 V (1 kΩ)   |
| R421    | 7030003440 | S.RESISTOR  | ERJ3GEYJ 102 V (1 kΩ)   |
| R422    | 7030003640 | S.RESISTOR  | ERJ3GEYJ 473 V (47 kΩ)  |
| R423    | 7030003640 | S.RESISTOR  | ERJ3GEYJ 473 V (47 kΩ)  |
| R424    | 7030003440 | S.RESISTOR  | ERJ3GEYJ 102 V (1 kΩ)   |
| R425    | 7030003440 | S.RESISTOR  | ERJ3GEYJ 102 V (1 kΩ)   |
| R426    | 7030003640 | S.RESISTOR  | ERJ3GEYJ 473 V (47 kΩ)  |
| R427    | 7030003640 | S.RESISTOR  | ERJ3GEYJ 473 V (47 kΩ)  |
| R428    | 7030000210 | S.RESISTOR  | MCR10EZJH 39 Ω (390)    |
| R429    | 7030000210 | S.RESISTOR  | MCR10EZJH 39 Ω (390)    |
| R440    | 7030003440 | S.RESISTOR  | ERJ3GEYJ 102 V (1 kΩ)   |
| R441    | 7030003440 | S.RESISTOR  | ERJ3GEYJ 102 V (1 kΩ)   |
| R442    | 7030003640 | S.RESISTOR  | ERJ3GEYJ 473 V (47 kΩ)  |
| R443    | 7030003640 | S.RESISTOR  | ERJ3GEYJ 473 V (47 kΩ)  |
| R444    | 7030003440 | S.RESISTOR  | ERJ3GEYJ 102 V (1 kΩ)   |
| R445    | 7030003440 | S.RESISTOR  | ERJ3GEYJ 102 V (1 kΩ)   |
| R446    | 7030003640 | S.RESISTOR  | ERJ3GEYJ 473 V (47 kΩ)  |
| R447    | 7030003640 | S.RESISTOR  | ERJ3GEYJ 473 V (47 kΩ)  |
| R448    | 7030000210 | S.RESISTOR  | MCR10EZJH 39 Ω (390)    |
| R449    | 7030000210 | S.RESISTOR  | MCR10EZJH 39 Ω (390)    |
| R460    | 7030003440 | S.RESISTOR  | ERJ3GEYJ 102 V (1 kΩ)   |
| R461    | 7030003440 | S.RESISTOR  | ERJ3GEYJ 102 V (1 kΩ)   |
| R462    | 7030003640 | S.RESISTOR  | ERJ3GEYJ 473 V (47 kΩ)  |
| R463    | 7030003640 | S.RESISTOR  | ERJ3GEYJ 473 V (47 kΩ)  |
| R464    | 7030003440 | S.RESISTOR  | ERJ3GEYJ 102 V (1 kΩ)   |
| R465    | 7030003440 | S.RESISTOR  | ERJ3GEYJ 102 V (1 kΩ)   |
| R466    | 7030003640 | S.RESISTOR  | ERJ3GEYJ 473 V (47 kΩ)  |
| R467    | 7030003640 | S.RESISTOR  | ERJ3GEYJ 473 V (47 kΩ)  |
| R468    | 7030000210 | S.RESISTOR  | MCR10EZJH 39 Ω (390)    |
| R469    | 7030000210 | S.RESISTOR  | MCR10EZJH 39 Ω (390)    |
| R480    | 7030003440 | S.RESISTOR  | ERJ3GEYJ 102 V (1 kΩ)   |
| R481    | 7030003440 | S.RESISTOR  | ERJ3GEYJ 102 V (1 kΩ)   |
| R482    | 7030003640 | S.RESISTOR  | ERJ3GEYJ 473 V (47 kΩ)  |
| R483    | 7030003640 | S.RESISTOR  | ERJ3GEYJ 473 V (47 kΩ)  |
| R484    | 7030003440 | S.RESISTOR  | ERJ3GEYJ 102 V (1 kΩ)   |
| R485    | 7030003440 | S.RESISTOR  | ERJ3GEYJ 102 V (1 kΩ)   |
| R486    | 7030003640 | S.RESISTOR  | ERJ3GEYJ 473 V (47 kΩ)  |
| R487    | 7030003640 | S.RESISTOR  | ERJ3GEYJ 473 V (47 kΩ)  |
| R488    | 7030000210 | S.RESISTOR  | MCR10EZJH 39 Ω (390)    |
| R489    | 7030000210 | S.RESISTOR  | MCR10EZJH 39 Ω (390)    |
| R500    | 7030003440 | S.RESISTOR  | ERJ3GEYJ 102 V (1 kΩ)   |
| R501    | 7030003440 | S.RESISTOR  | ERJ3GEYJ 102 V (1 kΩ)   |
| R502    | 7030003640 | S.RESISTOR  | ERJ3GEYJ 473 V (47 kΩ)  |
| R503    | 7030003640 | S.RESISTOR  | ERJ3GEYJ 473 V (47 kΩ)  |
| R504    | 7030003440 | S.RESISTOR  | ERJ3GEYJ 102 V (1 kΩ)   |
| R505    | 7030003440 | S.RESISTOR  | ERJ3GEYJ 102 V (1 kΩ)   |
| R506    | 7030003640 | S.RESISTOR  | ERJ3GEYJ 473 V (47 kΩ)  |
| R507    | 7030003640 | S.RESISTOR  | ERJ3GEYJ 473 V (47 kΩ)  |

Ⓐ: [EUR], [EUR-1], [USA], [USA-1], [KOR], [KOR-1]

Ⓑ: [FRA], [FRA-1], [ITA], [ITA-1]

Ⓒ: [FRA], [FRA-1], [ESP], [ESP-1], [KOR], [KOR-1], [ITA], [ITA-1]

Ⓓ: [EUR], [EUR-1], [ESP], [ESP-1], [OTH], [OTH-1]

Ⓔ: [ESP], [ESP-1], [KOR], [KOR-1], [ITA], [ITA-1]

Ⓕ: [FRA], [FRA-1], [ESP], [ESP-1], [OTH], [OTH-1], [ITA], [ITA-1]

S.=Surface mount

[PA UNIT]

| REF NO. | ORDER NO.  | DESCRIPTION                        |
|---------|------------|------------------------------------|
| R508    | 7030000210 | S.RESISTOR MCR10EZHZ 39 Ω (390)    |
| R509    | 7030000210 | S.RESISTOR MCR10EZHZ 39 Ω (390)    |
| R520    | 7030003440 | S.RESISTOR ERJ3GEYJ 102 V (1 kΩ)   |
| R521    | 7030003440 | S.RESISTOR ERJ3GEYJ 102 V (1 kΩ)   |
| R522    | 7030003640 | S.RESISTOR ERJ3GEYJ 473 V (47 kΩ)  |
| R523    | 7030003640 | S.RESISTOR ERJ3GEYJ 473 V (47 kΩ)  |
| R524    | 7030003440 | S.RESISTOR ERJ3GEYJ 102 V (1 kΩ)   |
| R525    | 7030003440 | S.RESISTOR ERJ3GEYJ 102 V (1 kΩ)   |
| R526    | 7030003640 | S.RESISTOR ERJ3GEYJ 473 V (47 kΩ)  |
| R527    | 7030003640 | S.RESISTOR ERJ3GEYJ 473 V (47 kΩ)  |
| R528    | 7030000210 | S.RESISTOR MCR10EZHZ 39 Ω (390)    |
| R529    | 7030000210 | S.RESISTOR MCR10EZHZ 39 Ω (390)    |
| R561    | 7030003320 | S.RESISTOR ERJ3GEYJ 101 V (100 Ω)  |
| R562    | 7030003520 | S.RESISTOR ERJ3GEYJ 472 V (4.7 kΩ) |
| R563    | 7030003490 | S.RESISTOR ERJ3GEYJ 272 V (2.7 kΩ) |
| R564    | 7030003560 | S.RESISTOR ERJ3GEYJ 103 V (10 kΩ)  |
| R565    | 7030003280 | S.RESISTOR ERJ3GEYJ 470 V (47 Ω)   |
| R566    | 7030003320 | S.RESISTOR ERJ3GEYJ 101 V (100 Ω)  |
| R567    | 7030003520 | S.RESISTOR ERJ3GEYJ 472 V (4.7 kΩ) |
| R568    | 7030003490 | S.RESISTOR ERJ3GEYJ 272 V (2.7 kΩ) |
| R569    | 7030003560 | S.RESISTOR ERJ3GEYJ 103 V (10 kΩ)  |
| R571    | 7030003320 | S.RESISTOR ERJ3GEYJ 101 V (100 Ω)  |
| R572    | 7030003620 | S.RESISTOR ERJ3GEYJ 333 V (33 kΩ)  |
| R573    | 7030003620 | S.RESISTOR ERJ3GEYJ 333 V (33 kΩ)  |
| R574    | 7030003660 | S.RESISTOR ERJ3GEYJ 683 V (68 kΩ)  |
| R575    | 7030003620 | S.RESISTOR ERJ3GEYJ 333 V (33 kΩ)  |
| R600    | 7030003340 | S.RESISTOR ERJ3GEYJ 151 V (150 Ω)  |
| R601    | 7030003560 | S.RESISTOR ERJ3GEYJ 103 V (10 kΩ)  |
| R603    | 7030003560 | S.RESISTOR ERJ3GEYJ 103 V (10 kΩ)  |
| R605    | 7030003560 | S.RESISTOR ERJ3GEYJ 103 V (10 kΩ)  |
| R606    | 7030003440 | S.RESISTOR ERJ3GEYJ 102 V (1 kΩ)   |
| R607    | 7030003440 | S.RESISTOR ERJ3GEYJ 102 V (1 kΩ)   |
| R608    | 7030003640 | S.RESISTOR ERJ3GEYJ 473 V (47 kΩ)  |
| R609    | 7030003440 | S.RESISTOR ERJ3GEYJ 102 V (1 kΩ)   |
| R610    | 7030003440 | S.RESISTOR ERJ3GEYJ 102 V (1 kΩ)   |
| R611    | 7030003440 | S.RESISTOR ERJ3GEYJ 102 V (1 kΩ)   |
| R612    | 7030003440 | S.RESISTOR ERJ3GEYJ 102 V (1 kΩ)   |
| R613    | 7030003560 | S.RESISTOR ERJ3GEYJ 103 V (10 kΩ)  |
| R614    | 7030003800 | S.RESISTOR ERJ3GEYJ 105 V (1 MΩ)   |
| R617    | 7030003440 | S.RESISTOR ERJ3GEYJ 102 V (1 kΩ)   |
| R618    | 7030003640 | S.RESISTOR ERJ3GEYJ 473 V (47 kΩ)  |
| R619    | 7030003640 | S.RESISTOR ERJ3GEYJ 473 V (47 kΩ)  |
| R620    | 7030003640 | S.RESISTOR ERJ3GEYJ 473 V (47 kΩ)  |
| R641    | 7030003480 | S.RESISTOR ERJ3GEYJ 222 V (2.2 kΩ) |
| R642    | 7030003560 | S.RESISTOR ERJ3GEYJ 103 V (10 kΩ)  |
| R643    | 7030003200 | S.RESISTOR ERJ3GEYJ 100 V (10 Ω)   |
| R645    | 7030003560 | S.RESISTOR ERJ3GEYJ 103 V (10 kΩ)  |
| R648    | 7030003560 | S.RESISTOR ERJ3GEYJ 103 V (10 kΩ)  |
| R649    | 7030003480 | S.RESISTOR ERJ3GEYJ 222 V (2.2 kΩ) |
| R650    | 7030010520 | S.RESISTOR ERJ1TYJ 101U (100 Ω)    |
| R651    | 7030010520 | S.RESISTOR ERJ1TYJ 101U (100 Ω)    |
| R652    | 7030010520 | S.RESISTOR ERJ1TYJ 101U (100 Ω)    |
| R653    | 7030010520 | S.RESISTOR ERJ1TYJ 101U (100 Ω)    |
| R655    | 7030010820 | S.RESISTOR ERJ1TYJ 221U (220 Ω)    |
| R657    | 7030010820 | S.RESISTOR ERJ1TYJ 221U (220 Ω)    |
| R658    | 7030010820 | S.RESISTOR ERJ1TYJ 221U (220 Ω)    |
| R659    | 7030006070 | S.RESISTOR ERJ12YJ101U (100 Ω)     |
| R660    | 7030003770 | S.RESISTOR ERJ3GEYJ 564 V (560 kΩ) |
| R661    | 7030003640 | S.RESISTOR ERJ3GEYJ 473 V (47 kΩ)  |
| R662    | 7030010940 | S.RESISTOR ERJ12NF56R0U (56 Ω)     |
| R663    | 7030010940 | S.RESISTOR ERJ12NF56R0U (56 Ω)     |
| R664    | 7030010940 | S.RESISTOR ERJ12NF56R0U (56 Ω)     |
| R665    | 7030010940 | S.RESISTOR ERJ12NF56R0U (56 Ω)     |
| R666    | 7030003480 | S.RESISTOR ERJ3GEYJ 222 V (2.2 kΩ) |
| R667    | 7030003640 | S.RESISTOR ERJ3GEYJ 473 V (47 kΩ)  |
| R668    | 7030003480 | S.RESISTOR ERJ3GEYJ 222 V (2.2 kΩ) |
| R669    | 7030003440 | S.RESISTOR ERJ3GEYJ 102 V (1 kΩ)   |
| R670    | 7030003730 | S.RESISTOR ERJ3GEYJ 274 V (270 kΩ) |
| R671    | 7030003770 | S.RESISTOR ERJ3GEYJ 564 V (560 kΩ) |
| R672    | 7030003340 | S.RESISTOR ERJ3GEYJ 151 V (150 Ω)  |
| R673    | 7030003280 | S.RESISTOR ERJ3GEYJ 470 V (47 Ω)   |
| R674    | 7540000260 | ABSORBER SA05C 201M                |
| R675    | 7030003640 | S.RESISTOR ERJ3GEYJ 473 V (47 kΩ)  |
| R676    | 7030000250 | S.RESISTOR MCR10EZHZ 82 Ω (820)    |
| R677    | 7030000260 | S.RESISTOR MCR10EZHZ 100 Ω (101)   |
| R678    | 7030003560 | S.RESISTOR ERJ3GEYJ 103 V (10 kΩ)  |
| R679    | 7030003730 | S.RESISTOR ERJ3GEYJ 274 V (270 kΩ) |
| R680    | 7030003560 | S.RESISTOR ERJ3GEYJ 103 V (10 kΩ)  |

Ⓐ only  
Ⓐ only

[PA UNIT]

| REF NO. | ORDER NO.  | DESCRIPTION                        |
|---------|------------|------------------------------------|
| R681    | 7030003730 | S.RESISTOR ERJ3GEYJ 274 V (270 kΩ) |
| R682    | 7030003610 | S.RESISTOR ERJ3GEYJ 273 V (27 kΩ)  |
| R683    | 7030003280 | S.RESISTOR ERJ3GEYJ 470 V (47 Ω)   |
| R684    | 7030003770 | S.RESISTOR ERJ3GEYJ 564 V (560 kΩ) |
| R685    | 7030003440 | S.RESISTOR ERJ3GEYJ 102 V (1 kΩ)   |
| R686    | 7030003640 | S.RESISTOR ERJ3GEYJ 473 V (47 kΩ)  |
| R687    | 7030003440 | S.RESISTOR ERJ3GEYJ 102 V (1 kΩ)   |
| R688    | 7030003590 | S.RESISTOR ERJ3GEYJ 183 V (18 kΩ)  |
| R689    | 7030003440 | S.RESISTOR ERJ3GEYJ 102 V (1 kΩ)   |
| R690    | 7030000200 | S.RESISTOR MCR10EZHZ 33 Ω (330)    |
| R691    | 7030000180 | S.RESISTOR MCR10EZHZ 22 Ω (220)    |
| R693    | 7030003440 | S.RESISTOR ERJ3GEYJ 102 V (1 kΩ)   |
| R694    | 7030003440 | S.RESISTOR ERJ3GEYJ 102 V (1 kΩ)   |
| R695    | 7030003640 | S.RESISTOR ERJ3GEYJ 473 V (47 kΩ)  |
| R696    | 7030003680 | S.RESISTOR ERJ3GEYJ 104 V (100 kΩ) |
| R700    | 7030003440 | S.RESISTOR ERJ3GEYJ 102 V (1 kΩ)   |
| R701    | 7030003640 | S.RESISTOR ERJ3GEYJ 473 V (47 kΩ)  |
| R702    | 7030003640 | S.RESISTOR ERJ3GEYJ 473 V (47 kΩ)  |
| R703    | 7030003440 | S.RESISTOR ERJ3GEYJ 102 V (1 kΩ)   |
| R704    | 7030003440 | S.RESISTOR ERJ3GEYJ 102 V (1 kΩ)   |
| R705    | 7030003640 | S.RESISTOR ERJ3GEYJ 473 V (47 kΩ)  |
| R706    | 7030003640 | S.RESISTOR ERJ3GEYJ 473 V (47 kΩ)  |
| R707    | 7030003440 | S.RESISTOR ERJ3GEYJ 102 V (1 kΩ)   |
| R708    | 7030003440 | S.RESISTOR ERJ3GEYJ 102 V (1 kΩ)   |
| R709    | 7030003640 | S.RESISTOR ERJ3GEYJ 473 V (47 kΩ)  |
| R710    | 7030003640 | S.RESISTOR ERJ3GEYJ 473 V (47 kΩ)  |
| R711    | 7030003440 | S.RESISTOR ERJ3GEYJ 102 V (1 kΩ)   |
| R712    | 7030003440 | S.RESISTOR ERJ3GEYJ 102 V (1 kΩ)   |
| R713    | 7030003640 | S.RESISTOR ERJ3GEYJ 473 V (47 kΩ)  |
| R714    | 7030003640 | S.RESISTOR ERJ3GEYJ 473 V (47 kΩ)  |
| R715    | 7030003440 | S.RESISTOR ERJ3GEYJ 102 V (1 kΩ)   |
| R716    | 7030003440 | S.RESISTOR ERJ3GEYJ 102 V (1 kΩ)   |
| R717    | 7030003640 | S.RESISTOR ERJ3GEYJ 473 V (47 kΩ)  |
| R718    | 7030003640 | S.RESISTOR ERJ3GEYJ 473 V (47 kΩ)  |
| R719    | 7030003440 | S.RESISTOR ERJ3GEYJ 102 V (1 kΩ)   |
| R720    | 7030003440 | S.RESISTOR ERJ3GEYJ 102 V (1 kΩ)   |
| R721    | 7030003640 | S.RESISTOR ERJ3GEYJ 473 V (47 kΩ)  |
| R722    | 7030003640 | S.RESISTOR ERJ3GEYJ 473 V (47 kΩ)  |
| R723    | 7030003440 | S.RESISTOR ERJ3GEYJ 102 V (1 kΩ)   |
| R724    | 7030003440 | S.RESISTOR ERJ3GEYJ 102 V (1 kΩ)   |
| R725    | 7030003640 | S.RESISTOR ERJ3GEYJ 473 V (47 kΩ)  |
| R726    | 7030003640 | S.RESISTOR ERJ3GEYJ 473 V (47 kΩ)  |
| R727    | 7030003440 | S.RESISTOR ERJ3GEYJ 102 V (1 kΩ)   |
| R728    | 7030003440 | S.RESISTOR ERJ3GEYJ 102 V (1 kΩ)   |
| R729    | 7030003640 | S.RESISTOR ERJ3GEYJ 473 V (47 kΩ)  |
| R730    | 7030003640 | S.RESISTOR ERJ3GEYJ 473 V (47 kΩ)  |
| R731    | 7030003440 | S.RESISTOR ERJ3GEYJ 102 V (1 kΩ)   |
| R732    | 7030003440 | S.RESISTOR ERJ3GEYJ 102 V (1 kΩ)   |
| R733    | 7030003640 | S.RESISTOR ERJ3GEYJ 473 V (47 kΩ)  |
| R734    | 7030003640 | S.RESISTOR ERJ3GEYJ 473 V (47 kΩ)  |
| R735    | 7030003440 | S.RESISTOR ERJ3GEYJ 102 V (1 kΩ)   |
| R736    | 7030003440 | S.RESISTOR ERJ3GEYJ 102 V (1 kΩ)   |
| R737    | 7030003640 | S.RESISTOR ERJ3GEYJ 473 V (47 kΩ)  |
| R738    | 7030003640 | S.RESISTOR ERJ3GEYJ 473 V (47 kΩ)  |
| R739    | 7030003440 | S.RESISTOR ERJ3GEYJ 102 V (1 kΩ)   |
| R750    | 7030000210 | S.RESISTOR MCR10EZHZ 39 Ω (390)    |
| R751    | 7030000210 | S.RESISTOR MCR10EZHZ 39 Ω (390)    |
| R752    | 7030000210 | S.RESISTOR MCR10EZHZ 39 Ω (390)    |
| R753    | 7030000210 | S.RESISTOR MCR10EZHZ 39 Ω (390)    |
| R754    | 7030000210 | S.RESISTOR MCR10EZHZ 39 Ω (390)    |
| R755    | 7030000210 | S.RESISTOR MCR10EZHZ 39 Ω (390)    |
| R756    | 7030000210 | S.RESISTOR MCR10EZHZ 39 Ω (390)    |
| R757    | 7030000210 | S.RESISTOR MCR10EZHZ 39 Ω (390)    |
| R758    | 7030000210 | S.RESISTOR MCR10EZHZ 39 Ω (390)    |
| R759    | 7030000210 | S.RESISTOR MCR10EZHZ 39 Ω (390)    |
| R800    | 7030003440 | S.RESISTOR ERJ3GEYJ 102 V (1 kΩ)   |
| R801    | 7030003640 | S.RESISTOR ERJ3GEYJ 473 V (47 kΩ)  |
| R802    | 7030003640 | S.RESISTOR ERJ3GEYJ 473 V (47 kΩ)  |
| R803    | 7030003440 | S.RESISTOR ERJ3GEYJ 102 V (1 kΩ)   |
| R804    | 7030003440 | S.RESISTOR ERJ3GEYJ 102 V (1 kΩ)   |
| R805    | 7030003640 | S.RESISTOR ERJ3GEYJ 473 V (47 kΩ)  |
| R806    | 7030003640 | S.RESISTOR ERJ3GEYJ 473 V (47 kΩ)  |
| R807    | 7030003440 | S.RESISTOR ERJ3GEYJ 102 V (1 kΩ)   |
| R808    | 7030003440 | S.RESISTOR ERJ3GEYJ 102 V (1 kΩ)   |
| R809    | 7030003640 | S.RESISTOR ERJ3GEYJ 473 V (47 kΩ)  |
| R810    | 7030003640 | S.RESISTOR ERJ3GEYJ 473 V (47 kΩ)  |
| R811    | 7030003440 | S.RESISTOR ERJ3GEYJ 102 V (1 kΩ)   |
| R812    | 7030003440 | S.RESISTOR ERJ3GEYJ 102 V (1 kΩ)   |

Ⓑ: [EUR], [EUR-1], [ESP], [ESP-1], [OTH], [OTH-1]  
 Ⓓ: [ESP], [ESP-1], [KOR], [KOR-1], [ITA], [ITA-1]  
 Ⓔ: [FRA], [FRA-1], [ESP], [ESP-1], [OTH], [OTH-1], [ITA], [ITA-1]

S.=Surface mount

[PA UNIT]

| REF NO. | ORDER NO.  | DESCRIPTION  |                         |
|---------|------------|--------------|-------------------------|
| R813    | 7030003640 | S.RESISTOR   | ERJ3GEYJ 473 V (47 kΩ)  |
| R814    | 7030003640 | S.RESISTOR   | ERJ3GEYJ 473 V (47 kΩ)  |
| R815    | 7030003440 | S.RESISTOR   | ERJ3GEYJ 102 V (1 kΩ)   |
| R816    | 7030003440 | S.RESISTOR   | ERJ3GEYJ 102 V (1 kΩ)   |
| R817    | 7030003640 | S.RESISTOR   | ERJ3GEYJ 473 V (47 kΩ)  |
| R818    | 7030003640 | S.RESISTOR   | ERJ3GEYJ 473 V (47 kΩ)  |
| R819    | 7030003440 | S.RESISTOR   | ERJ3GEYJ 102 V (1 kΩ)   |
| R820    | 7030003440 | S.RESISTOR   | ERJ3GEYJ 102 V (1 kΩ)   |
| R821    | 7030003640 | S.RESISTOR   | ERJ3GEYJ 473 V (47 kΩ)  |
| R822    | 7030003640 | S.RESISTOR   | ERJ3GEYJ 473 V (47 kΩ)  |
| R823    | 7030003440 | S.RESISTOR   | ERJ3GEYJ 102 V (1 kΩ)   |
| R824    | 7030003440 | S.RESISTOR   | ERJ3GEYJ 102 V (1 kΩ)   |
| R825    | 7030003640 | S.RESISTOR   | ERJ3GEYJ 473 V (47 kΩ)  |
| R826    | 7030003640 | S.RESISTOR   | ERJ3GEYJ 473 V (47 kΩ)  |
| R827    | 7030003440 | S.RESISTOR   | ERJ3GEYJ 102 V (1 kΩ)   |
| R828    | 7030003440 | S.RESISTOR   | ERJ3GEYJ 102 V (1 kΩ)   |
| R829    | 7030003640 | S.RESISTOR   | ERJ3GEYJ 473 V (47 kΩ)  |
| R830    | 7030003640 | S.RESISTOR   | ERJ3GEYJ 473 V (47 kΩ)  |
| R831    | 7030003440 | S.RESISTOR   | ERJ3GEYJ 102 V (1 kΩ)   |
| R832    | 7030003440 | S.RESISTOR   | ERJ3GEYJ 102 V (1 kΩ)   |
| R833    | 7030003640 | S.RESISTOR   | ERJ3GEYJ 473 V (47 kΩ)  |
| R834    | 7030003640 | S.RESISTOR   | ERJ3GEYJ 473 V (47 kΩ)  |
| R835    | 7030003440 | S.RESISTOR   | ERJ3GEYJ 102 V (1 kΩ)   |
| R836    | 7030003440 | S.RESISTOR   | ERJ3GEYJ 102 V (1 kΩ)   |
| R837    | 7030003640 | S.RESISTOR   | ERJ3GEYJ 473 V (47 kΩ)  |
| R838    | 7030003640 | S.RESISTOR   | ERJ3GEYJ 473 V (47 kΩ)  |
| R839    | 7030003440 | S.RESISTOR   | ERJ3GEYJ 102 V (1 kΩ)   |
| R840    | 7030003440 | S.RESISTOR   | ERJ3GEYJ 102 V (1 kΩ)   |
| R841    | 7030003640 | S.RESISTOR   | ERJ3GEYJ 473 V (47 kΩ)  |
| R842    | 7030003640 | S.RESISTOR   | ERJ3GEYJ 473 V (47 kΩ)  |
| R843    | 7030003440 | S.RESISTOR   | ERJ3GEYJ 102 V (1 kΩ)   |
| R850    | 7030000210 | S.RESISTOR   | MCR10EZHZ 39 Ω (390)    |
| R851    | 7030000210 | S.RESISTOR   | MCR10EZHZ 39 Ω (390)    |
| R852    | 7030000210 | S.RESISTOR   | MCR10EZHZ 39 Ω (390)    |
| R853    | 7030000210 | S.RESISTOR   | MCR10EZHZ 39 Ω (390)    |
| R854    | 7030000210 | S.RESISTOR   | MCR10EZHZ 39 Ω (390)    |
| R855    | 7030000210 | S.RESISTOR   | MCR10EZHZ 39 Ω (390)    |
| R856    | 7030000210 | S.RESISTOR   | MCR10EZHZ 39 Ω (390)    |
| R857    | 7030000210 | S.RESISTOR   | MCR10EZHZ 39 Ω (390)    |
| R858    | 7030000210 | S.RESISTOR   | MCR10EZHZ 39 Ω (390)    |
| R859    | 7030000210 | S.RESISTOR   | MCR10EZHZ 39 Ω (390)    |
| R860    | 7030000210 | S.RESISTOR   | MCR10EZHZ 39 Ω (390)    |
| R900    | 7030003680 | S.RESISTOR   | ERJ3GEYJ 104 V (100 kΩ) |
| R901    | 7030003670 | S.RESISTOR   | ERJ3GEYJ 823 V (82 kΩ)  |
| R902    | 7030003440 | S.RESISTOR   | ERJ3GEYJ 102 V (1 kΩ)   |
| R903    | 7030003640 | S.RESISTOR   | ERJ3GEYJ 473 V (47 kΩ)  |
| C1      | 4030011600 | S.CERAMIC    | C1608 JB 1E 104K-T      |
| C2      | 4030011600 | S.CERAMIC    | C1608 JB 1E 104K-T      |
| C3      | 4030011600 | S.CERAMIC    | C1608 JB 1E 104K-T      |
| C4      | 4030006860 | S.CERAMIC    | C1608 JB 1H 102K-T      |
| C5      | 4030006860 | S.CERAMIC    | C1608 JB 1H 102K-T      |
| C6      | 4030006860 | S.CERAMIC    | C1608 JB 1H 102K-T      |
| C7      | 4030006860 | S.CERAMIC    | C1608 JB 1H 102K-T      |
| C8      | 4030006860 | S.CERAMIC    | C1608 JB 1H 102K-T      |
| C9      | 4550002810 | S.TANTALUM   | TESVD2 1E 106M-12L      |
| C10     | 4030011600 | S.CERAMIC    | C1608 JB 1E 104K-T      |
| C11     | 4030006880 | S.CERAMIC    | C1608 JB 1H 472K-T      |
| C12     | 4030006880 | S.CERAMIC    | C1608 JB 1H 472K-T      |
| C13     | 4030006880 | S.CERAMIC    | C1608 JB 1H 472K-T      |
| C14     | 4030011600 | S.CERAMIC    | C1608 JB 1E 104K-T      |
| C15     | 4510005500 | ELECTROLYTIC | 16 MV 10 HC             |
| C47     | 4030006860 | S.CERAMIC    | C1608 JB 1H 102K-T      |
| C48     | 4030006860 | S.CERAMIC    | C1608 JB 1H 102K-T      |
| C49     | 4030006860 | S.CERAMIC    | C1608 JB 1H 102K-T      |
| C50     | 4030006860 | S.CERAMIC    | C1608 JB 1H 102K-T      |
| C51     | 4030006860 | S.CERAMIC    | C1608 JB 1H 102K-T      |
| C52     | 4030007090 | S.CERAMIC    | C1608 CH 1H 470J-T      |
| C53     | 4030007090 | S.CERAMIC    | C1608 CH 1H 470J-T      |
| C54     | 4030006860 | S.CERAMIC    | C1608 JB 1H 102K-T      |
| C55     | 4030006860 | S.CERAMIC    | C1608 JB 1H 102K-T      |
| C56     | 4030006860 | S.CERAMIC    | C1608 JB 1H 102K-T      |
| C57     | 4030006860 | S.CERAMIC    | C1608 JB 1H 102K-T      |
| C58     | 4030006860 | S.CERAMIC    | C1608 JB 1H 102K-T      |
| C59     | 4030006860 | S.CERAMIC    | C1608 JB 1H 102K-T      |
| C60     | 4030006860 | S.CERAMIC    | C1608 JB 1H 102K-T      |
| C80     | 4030007090 | S.CERAMIC    | C1608 CH 1H 470J-T      |

- Ⓐ: [EUR], [EUR-1], [USA], [USA-1], [KOR], [KOR-1]
- Ⓒ: [FRA], [FRA-1], [ITA], [ITA-1]
- Ⓔ: [FRA], [FRA-1], [ESP], [ESP-1], [KOR], [KOR-1], [ITA], [ITA-1]

[PA UNIT]

| REF NO. | ORDER NO.  | DESCRIPTION    |                    |
|---------|------------|----------------|--------------------|
| C81     | 4030006850 | S.CERAMIC      | C1608 JB 1H 471K-T |
| C82     | 4030006880 | S.CERAMIC      | C1608 JB 1H 472K-T |
| C83     | 4030011600 | S.CERAMIC      | C1608 JB 1E 104K-T |
| C84     | 4510004590 | ELECTROLYTIC   | 16 MV 470 HC       |
| C85     | 4030011600 | S.CERAMIC      | C1608 JB 1E 104K-T |
| C86     | 4030006880 | S.CERAMIC      | C1608 JB 1H 472K-T |
| C87     | 4030006880 | S.CERAMIC      | C1608 JB 1H 472K-T |
| C88     | 4030006880 | S.CERAMIC      | C1608 JB 1H 472K-T |
| C89     | 4510004590 | ELECTROLYTIC   | 16 MV 470 HC       |
| C100    | 4030007080 | S.CERAMIC      | C1608 CH 1H 390J-T |
| C101    | 4030007010 | S.CERAMIC      | C1608 CH 1H 100D-T |
| C102    | 4030007080 | S.CERAMIC      | C1608 CH 1H 390J-T |
| C103    | 4030011600 | S.CERAMIC      | C1608 JB 1E 104K-T |
| C104    | 4030011600 | S.CERAMIC      | C1608 JB 1E 104K-T |
| C105    | 4030011600 | S.CERAMIC      | C1608 JB 1E 104K-T |
| C106    | 4030011600 | S.CERAMIC      | C1608 JB 1E 104K-T |
| C108    | 4030011600 | S.CERAMIC      | C1608 JB 1E 104K-T |
| C109    | 4510004590 | ELECTROLYTIC   | 16 MV 470 HC       |
| C150    | 4030008960 | S.CERAMIC      | C2012 JB 1C 104K-T |
| C151    | 4030011600 | S.CERAMIC      | C1608 JB 1E 104K-T |
| C152    | 4030011600 | S.CERAMIC      | C1608 JB 1E 104K-T |
| C153    | 4030011600 | S.CERAMIC      | C1608 JB 1E 104K-T |
| C154    | 4030008960 | S.CERAMIC      | C2012 JB 1C 104K-T |
| C155    | 4030008960 | S.CERAMIC      | C2012 JB 1C 104K-T |
| C156    | 4030011600 | S.CERAMIC      | C1608 JB 1E 104K-T |
| C157    | 4030008960 | S.CERAMIC      | C2012 JB 1C 104K-T |
| C159    | 4030011600 | S.CERAMIC      | C1608 JB 1E 104K-T |
| C160    | 4030011600 | S.CERAMIC      | C1608 JB 1E 104K-T |
| C161    | 4030008960 | S.CERAMIC      | C2012 JB 1C 104K-T |
| C162    | 4030006860 | S.CERAMIC      | C1608 JB 1H 102K-T |
| C164    | 4030011600 | S.CERAMIC      | C1608 JB 1E 104K-T |
| C165    | 4030008960 | S.CERAMIC      | C2012 JB 1C 104K-T |
| C200    | 4030008960 | S.CERAMIC      | C2012 JB 1C 104K-T |
| C201    | 4030008960 | S.CERAMIC      | C2012 JB 1C 104K-T |
| C202    | 4030004740 | S.CERAMIC      | C2012 JB 1H 472K-T |
| C203    | 4030004740 | S.CERAMIC      | C2012 JB 1H 472K-T |
| C205    | 4030011230 | S.CERAMIC      | GRM31M2C2H390JV01L |
| C207    | 4030011600 | S.CERAMIC      | C1608 JB 1E 104K-T |
| C209    | 4030004740 | S.CERAMIC      | C2012 JB 1H 472K-T |
| C210    | 4510004510 | ELECTROLYTIC   | 25 MV 470 HC       |
| C212    | 4030011510 | S.CERAMIC      | GRM31M2C2H560JV01L |
| C213    | 4030011230 | S.CERAMIC      | GRM31M2C2H390JV01L |
| C250    | 4030011600 | S.CERAMIC      | C1608 JB 1E 104K-T |
| C251    | 4030006880 | S.CERAMIC      | C1608 JB 1H 472K-T |
| C300    | 4030011600 | S.CERAMIC      | C1608 JB 1E 104K-T |
| C301    | 4030011600 | S.CERAMIC      | C1608 JB 1E 104K-T |
| C302    | 4030011600 | S.CERAMIC      | C1608 JB 1E 104K-T |
| C303    | 4030011600 | S.CERAMIC      | C1608 JB 1E 104K-T |
| C304    | 4030007050 | S.CERAMIC      | C1608 CH 1H 220J-T |
| C305    | 4030007110 | S.CERAMIC      | C1608 CH 1H 680J-T |
| C306    | 4030011540 | S.CERAMIC      | C1608 CH 1H 750J-T |
| C307    | 4030007050 | S.CERAMIC      | C1608 CH 1H 220J-T |
| C308    | 4030007080 | S.CERAMIC      | C1608 CH 1H 390J-T |
| C309    | 4510004630 | S.ELECTROLYTIC | ECEV1CA100SR       |
| C400    | 4030006880 | S.CERAMIC      | C1608 JB 1H 472K-T |
| C401    | 4030006880 | S.CERAMIC      | C1608 JB 1H 472K-T |
| C402    | 4030017810 | S.CERAMIC      | C1608 CH 1H 102J-T |
| C403    | 4030011340 | S.CERAMIC      | C1608 CH 1H 471J-T |
| C404    | 4030017810 | S.CERAMIC      | C1608 CH 1H 102J-T |
| C405    | 4030017810 | S.CERAMIC      | C1608 CH 1H 102J-T |
| C406    | 4030011330 | S.CERAMIC      | C1608 CH 1H 391J-T |
| C407    | 4030007160 | S.CERAMIC      | C1608 CH 1H 181J-T |
| C408    | 4030017810 | S.CERAMIC      | C1608 CH 1H 102J-T |
| C409    | 4030011340 | S.CERAMIC      | C1608 CH 1H 471J-T |
| C410    | 4030006880 | S.CERAMIC      | C1608 JB 1H 472K-T |
| C411    | 4030006880 | S.CERAMIC      | C1608 JB 1H 472K-T |
| C412    | 4030006880 | S.CERAMIC      | C1608 JB 1H 472K-T |
| C413    | 4030006880 | S.CERAMIC      | C1608 JB 1H 472K-T |
| C414    | 4030006880 | S.CERAMIC      | C1608 JB 1H 472K-T |
| C415    | 4030006880 | S.CERAMIC      | C1608 JB 1H 472K-T |
| C420    | 4030006880 | S.CERAMIC      | C1608 JB 1H 472K-T |
| C421    | 4030006880 | S.CERAMIC      | C1608 JB 1H 472K-T |
| C422    | 4030017800 | S.CERAMIC      | C1608 CH 1H 561J-T |
| C423    | 4030007160 | S.CERAMIC      | C1608 CH 1H 181J-T |
| C424    | 4030017810 | S.CERAMIC      | C1608 CH 1H 102J-T |
| C425    | 4030007120 | S.CERAMIC      | C1608 CH 1H 820J-T |
| C426    | 4030017800 | S.CERAMIC      | C1608 CH 1H 561J-T |
| C427    | 4030006880 | S.CERAMIC      | C1608 JB 1H 472K-T |

- Ⓑ: [EUR], [EUR-1], [ESP], [ESP-1], [OTH], [OTH-1]
- Ⓓ: [ESP], [ESP-1], [KOR], [KOR-1], [ITA], [ITA-1]
- Ⓔ: [FRA], [FRA-1], [ESP], [ESP-1], [OTH], [OTH-1], [ITA], [ITA-1]

S.=Surface mount

[PA UNIT]

| REF NO. | ORDER NO.  | DESCRIPTION |                    |
|---------|------------|-------------|--------------------|
| C428    | 4030006880 | S.CERAMIC   | C1608 JB 1H 472K-T |
| C429    | 4030006880 | S.CERAMIC   | C1608 JB 1H 472K-T |
| C430    | 4030006880 | S.CERAMIC   | C1608 JB 1H 472K-T |
| C431    | 4030006880 | S.CERAMIC   | C1608 JB 1H 472K-T |
| C432    | 4030006880 | S.CERAMIC   | C1608 JB 1H 472K-T |
| C440    | 4030006880 | S.CERAMIC   | C1608 JB 1H 472K-T |
| C441    | 4030006880 | S.CERAMIC   | C1608 JB 1H 472K-T |
| C442    | 4030007170 | S.CERAMIC   | C1608 CH 1H 221J-T |
| C443    | 4030007160 | S.CERAMIC   | C1608 CH 1H 181J-T |
| C444    | 4030011280 | S.CERAMIC   | C1608 CH 1H 271J-T |
| C445    | 4030007130 | S.CERAMIC   | C1608 CH 1H 101J-T |
| C446    | 4030010760 | S.CERAMIC   | C1608 CH 1H 331J-T |
| C447    | 4030006880 | S.CERAMIC   | C1608 JB 1H 472K-T |
| C448    | 4030006880 | S.CERAMIC   | C1608 JB 1H 472K-T |
| C449    | 4030006880 | S.CERAMIC   | C1608 JB 1H 472K-T |
| C450    | 4030006880 | S.CERAMIC   | C1608 JB 1H 472K-T |
| C451    | 4030006880 | S.CERAMIC   | C1608 JB 1H 472K-T |
| C452    | 4030006880 | S.CERAMIC   | C1608 JB 1H 472K-T |
| C453    | 4030007090 | S.CERAMIC   | C1608 CH 1H 470J-T |
| C454    | 4030010760 | S.CERAMIC   | C1608 CH 1H 331J-T |
| C455    | 4030010760 | S.CERAMIC   | C1608 CH 1H 331J-T |
| C456    | 4030011280 | S.CERAMIC   | C1608 CH 1H 271J-T |
| C458    | 4030007090 | S.CERAMIC   | C1608 CH 1H 470J-T |
| C460    | 4030006880 | S.CERAMIC   | C1608 JB 1H 472K-T |
| C461    | 4030006880 | S.CERAMIC   | C1608 JB 1H 472K-T |
| C462    | 4030007160 | S.CERAMIC   | C1608 CH 1H 181J-T |
| C463    | 4030007070 | S.CERAMIC   | C1608 CH 1H 330J-T |
| C464    | 4030007150 | S.CERAMIC   | C1608 CH 1H 151J-T |
| C465    | 4030007090 | S.CERAMIC   | C1608 CH 1H 470J-T |
| C466    | 4030007160 | S.CERAMIC   | C1608 CH 1H 181J-T |
| C467    | 4030006880 | S.CERAMIC   | C1608 JB 1H 472K-T |
| C468    | 4030006880 | S.CERAMIC   | C1608 JB 1H 472K-T |
| C469    | 4030006880 | S.CERAMIC   | C1608 JB 1H 472K-T |
| C470    | 4030006880 | S.CERAMIC   | C1608 JB 1H 472K-T |
| C471    | 4030006880 | S.CERAMIC   | C1608 JB 1H 472K-T |
| C472    | 4030006880 | S.CERAMIC   | C1608 JB 1H 472K-T |
| C473    | 4030007150 | S.CERAMIC   | C1608 CH 1H 151J-T |
| C480    | 4030006880 | S.CERAMIC   | C1608 JB 1H 472K-T |
| C481    | 4030006880 | S.CERAMIC   | C1608 JB 1H 472K-T |
| C482    | 4030007130 | S.CERAMIC   | C1608 CH 1H 101J-T |
| C483    | 4030007080 | S.CERAMIC   | C1608 CH 1H 390J-T |
| C484    | 4030007140 | S.CERAMIC   | C1608 CH 1H 121J-T |
| C485    | 4030007060 | S.CERAMIC   | C1608 CH 1H 270J-T |
| C486    | 4030007140 | S.CERAMIC   | C1608 CH 1H 121J-T |
| C488    | 4030006880 | S.CERAMIC   | C1608 JB 1H 472K-T |
| C489    | 4030006880 | S.CERAMIC   | C1608 JB 1H 472K-T |
| C490    | 4030006880 | S.CERAMIC   | C1608 JB 1H 472K-T |
| C491    | 4030006880 | S.CERAMIC   | C1608 JB 1H 472K-T |
| C492    | 4030006880 | S.CERAMIC   | C1608 JB 1H 472K-T |
| C493    | 4030006880 | S.CERAMIC   | C1608 JB 1H 472K-T |
| C494    | 4030007130 | S.CERAMIC   | C1608 CH 1H 101J-T |
| C500    | 4030006880 | S.CERAMIC   | C1608 JB 1H 472K-T |
| C501    | 4030006880 | S.CERAMIC   | C1608 JB 1H 472K-T |
| C502    | 4030007060 | S.CERAMIC   | C1608 CH 1H 270J-T |
| C503    | 4030007050 | S.CERAMIC   | C1608 CH 1H 220J-T |
| C504    | 4030007110 | S.CERAMIC   | C1608 CH 1H 680J-T |
| C505    | 4030007110 | S.CERAMIC   | C1608 CH 1H 680J-T |
| C506    | 4030007040 | S.CERAMIC   | C1608 CH 1H 180J-T |
| C507    | 4030007110 | S.CERAMIC   | C1608 CH 1H 680J-T |
| C508    | 4030006880 | S.CERAMIC   | C1608 JB 1H 472K-T |
| C509    | 4030006880 | S.CERAMIC   | C1608 JB 1H 472K-T |
| C510    | 4030006880 | S.CERAMIC   | C1608 JB 1H 472K-T |
| C511    | 4030006880 | S.CERAMIC   | C1608 JB 1H 472K-T |
| C512    | 4030006880 | S.CERAMIC   | C1608 JB 1H 472K-T |
| C513    | 4030006880 | S.CERAMIC   | C1608 JB 1H 472K-T |
| C514    | 4030007010 | S.CERAMIC   | C1608 CH 1H 100D-T |
| C520    | 4030006880 | S.CERAMIC   | C1608 JB 1H 472K-T |
| C521    | 4030006880 | S.CERAMIC   | C1608 JB 1H 472K-T |
| C522    | 4030007040 | S.CERAMIC   | C1608 CH 1H 180J-T |
| C524    | 4030007130 | S.CERAMIC   | C1608 CH 1H 101J-T |
| C525    | 4030007000 | S.CERAMIC   | C1608 CH 1H 090D-T |
| C526    | 4030007130 | S.CERAMIC   | C1608 CH 1H 101J-T |
| C527    | 4030009530 | S.CERAMIC   | C1608 CH 1H 030B-T |
| C528    | 4030007070 | S.CERAMIC   | C1608 CH 1H 330J-T |
| C529    | 4030006880 | S.CERAMIC   | C1608 JB 1H 472K-T |
| C530    | 4030006880 | S.CERAMIC   | C1608 JB 1H 472K-T |
| C531    | 4030006880 | S.CERAMIC   | C1608 JB 1H 472K-T |
| C532    | 4030006880 | S.CERAMIC   | C1608 JB 1H 472K-T |

Ⓐ: [EUR], [EUR-1], [USA], [USA-1], [KOR], [KOR-1]  
 Ⓒ: [FRA], [FRA-1], [ITA], [ITA-1]  
 Ⓔ: [FRA], [FRA-1], [ESP], [ESP-1], [KOR], [KOR-1], [ITA], [ITA-1]

[PA UNIT]

| REF NO. | ORDER NO.  | DESCRIPTION    |                    |
|---------|------------|----------------|--------------------|
| C533    | 4030006880 | S.CERAMIC      | C1608 JB 1H 472K-T |
| C534    | 4030006880 | S.CERAMIC      | C1608 JB 1H 472K-T |
| C540    | 4030011600 | S.CERAMIC      | C1608 JB 1E 104K-T |
| C541    | 4030011600 | S.CERAMIC      | C1608 JB 1E 104K-T |
| C542    | 4030006880 | S.CERAMIC      | C1608 JB 1H 472K-T |
| C543    | 4030011600 | S.CERAMIC      | C1608 JB 1E 104K-T |
| C544    | 4030006880 | S.CERAMIC      | C1608 JB 1H 472K-T |
| C560    | 4030011600 | S.CERAMIC      | C1608 JB 1E 104K-T |
| C561    | 4610001830 | S.TRIMMER      | TZB4S100AB10R00    |
| C562    | 4030007130 | S.CERAMIC      | C1608 CH 1H 101J-T |
| C563    | 4030007070 | S.CERAMIC      | C1608 CH 1H 330J-T |
| C564    | 4030011600 | S.CERAMIC      | C1608 JB 1E 104K-T |
| C565    | 4030011340 | S.CERAMIC      | C1608 CH 1H 471J-T |
| C566    | 4030011600 | S.CERAMIC      | C1608 JB 1E 104K-T |
| C567    | 4030007070 | S.CERAMIC      | C1608 CH 1H 330J-T |
| C568    | 4030011340 | S.CERAMIC      | C1608 CH 1H 471J-T |
| C569    | 4030010760 | S.CERAMIC      | C1608 CH 1H 331J-T |
| C570    | 4030011600 | S.CERAMIC      | C1608 JB 1E 104K-T |
| C600    | 4030006900 | S.CERAMIC      | C1608 JB 1H 103K-T |
| C601    | 4030006880 | S.CERAMIC      | C1608 JB 1H 472K-T |
| C602    | 4030011600 | S.CERAMIC      | C1608 JB 1E 104K-T |
| C603    | 4030011600 | S.CERAMIC      | C1608 JB 1E 104K-T |
| C604    | 4510004650 | S.ELECTROLYTIC | ECEV1EA4R7SR       |
| C605    | 4030011600 | S.CERAMIC      | C1608 JB 1E 104K-T |
| C606    | 4030011600 | S.CERAMIC      | C1608 JB 1E 104K-T |
| C607    | 4030011600 | S.CERAMIC      | C1608 JB 1E 104K-T |
| C608    | 4030011600 | S.CERAMIC      | C1608 JB 1E 104K-T |
| C609    | 4030011600 | S.CERAMIC      | C1608 JB 1E 104K-T |
| C611    | 4030011600 | S.CERAMIC      | C1608 JB 1E 104K-T |
| C640    | 4030011770 | S.CERAMIC      | C1608 CH 1H 060B-T |
| C641    | 4030007100 | S.CERAMIC      | C1608 CH 1H 560J-T |
| C642    | 4030010760 | S.CERAMIC      | C1608 CH 1H 331J-T |
| C643    | 4030006880 | S.CERAMIC      | C1608 JB 1H 472K-T |
| C644    | 4030006880 | S.CERAMIC      | C1608 JB 1H 472K-T |
| C645    | 4030006880 | S.CERAMIC      | C1608 JB 1H 472K-T |
| C646    | 4030009920 | S.CERAMIC      | C1608 CH 1H 050B-T |
| C647    | 4030008920 | S.CERAMIC      | C1608 JB 1H 473K-T |
| C650    | 4030006880 | S.CERAMIC      | C1608 JB 1H 472K-T |
| C651    | 4030011600 | S.CERAMIC      | C1608 JB 1E 104K-T |
| C652    | 4030010760 | S.CERAMIC      | C1608 CH 1H 331J-T |
| C653    | 4030011600 | S.CERAMIC      | C1608 JB 1E 104K-T |
| C654    | 4030008920 | S.CERAMIC      | C1608 JB 1H 473K-T |
| C655    | 4030007010 | S.CERAMIC      | C1608 CH 1H 100D-T |
| C656    | 4030010760 | S.CERAMIC      | C1608 CH 1H 331J-T |
| C657    | 4030011600 | S.CERAMIC      | C1608 JB 1E 104K-T |
| C658    | 4030011770 | S.CERAMIC      | C1608 CH 1H 060B-T |
| C659    | 4030011770 | S.CERAMIC      | C1608 CH 1H 060B-T |
| C660    | 4030008920 | S.CERAMIC      | C1608 JB 1H 473K-T |
| C661    | 4030006880 | S.CERAMIC      | C1608 JB 1H 472K-T |
| C662    | 4030008920 | S.CERAMIC      | C1608 JB 1H 473K-T |
| C663    | 4030006880 | S.CERAMIC      | C1608 JB 1H 472K-T |
| C664    | 4030011600 | S.CERAMIC      | C1608 JB 1E 104K-T |
| C665    | 4030011600 | S.CERAMIC      | C1608 JB 1E 104K-T |
| C666    | 4030011600 | S.CERAMIC      | C1608 JB 1E 104K-T |
| C667    | 4030006880 | S.CERAMIC      | C1608 JB 1H 472K-T |
| C668    | 4030006860 | S.CERAMIC      | C1608 JB 1H 102K-T |
| C669    | 4030006860 | S.CERAMIC      | C1608 JB 1H 102K-T |
| C670    | 4030006860 | S.CERAMIC      | C1608 JB 1H 102K-T |
| C671    | 4030011600 | S.CERAMIC      | C1608 JB 1E 104K-T |
| C672    | 4030011600 | S.CERAMIC      | C1608 JB 1E 104K-T |
| C673    | 4030011120 | S.CERAMIC      | GRM31M2C2H100JV01L |
| C680    | 4030007140 | S.CERAMIC      | C1608 CH 1H 121J-T |
| C681    | 4030007140 | S.CERAMIC      | C1608 CH 1H 121J-T |
| C682    | 4030007140 | S.CERAMIC      | C1608 CH 1H 121J-T |
| C683    | 4030011600 | S.CERAMIC      | C1608 JB 1E 104K-T |
| C700    | 4030006880 | S.CERAMIC      | C1608 JB 1H 472K-T |
| C701    | 4030006880 | S.CERAMIC      | C1608 JB 1H 472K-T |
| C702    | 4030006880 | S.CERAMIC      | C1608 JB 1H 472K-T |
| C703    | 4030006880 | S.CERAMIC      | C1608 JB 1H 472K-T |
| C704    | 4030006880 | S.CERAMIC      | C1608 JB 1H 472K-T |
| C705    | 4030006880 | S.CERAMIC      | C1608 JB 1H 472K-T |
| C706    | 4030006880 | S.CERAMIC      | C1608 JB 1H 472K-T |
| C707    | 4030006880 | S.CERAMIC      | C1608 JB 1H 472K-T |
| C708    | 4030006880 | S.CERAMIC      | C1608 JB 1H 472K-T |
| C709    | 4030006880 | S.CERAMIC      | C1608 JB 1H 472K-T |
| C710    | 4030006880 | S.CERAMIC      | C1608 JB 1H 472K-T |
| C711    | 4030006880 | S.CERAMIC      | C1608 JB 1H 472K-T |
| C712    | 4030006880 | S.CERAMIC      | C1608 JB 1H 472K-T |

Ⓑ: [EUR], [EUR-1], [ESP], [ESP-1], [OTH], [OTH-1]  
 Ⓓ: [ESP], [ESP-1], [KOR], [KOR-1], [ITA], [ITA-1]  
 Ⓔ: [FRA], [FRA-1], [ESP], [ESP-1], [OTH], [OTH-1], [ITA], [ITA-1]

S.=Surface mount

[PA UNIT]

| REF NO. | ORDER NO.  | DESCRIPTION  |                    |
|---------|------------|--------------|--------------------|
| C713    | 4030006880 | S.CERAMIC    | C1608 JB 1H 472K-T |
| C714    | 4030006880 | S.CERAMIC    | C1608 JB 1H 472K-T |
| C715    | 4030006880 | S.CERAMIC    | C1608 JB 1H 472K-T |
| C716    | 4030006880 | S.CERAMIC    | C1608 JB 1H 472K-T |
| C717    | 4030006880 | S.CERAMIC    | C1608 JB 1H 472K-T |
| C718    | 4030006880 | S.CERAMIC    | C1608 JB 1H 472K-T |
| C719    | 4030006880 | S.CERAMIC    | C1608 JB 1H 472K-T |
| C750    | 4030006880 | S.CERAMIC    | C1608 JB 1H 472K-T |
| C751    | 4030006880 | S.CERAMIC    | C1608 JB 1H 472K-T |
| C752    | 4030006880 | S.CERAMIC    | C1608 JB 1H 472K-T |
| C753    | 4030006880 | S.CERAMIC    | C1608 JB 1H 472K-T |
| C754    | 4030006880 | S.CERAMIC    | C1608 JB 1H 472K-T |
| C755    | 4030006880 | S.CERAMIC    | C1608 JB 1H 472K-T |
| C756    | 4030006880 | S.CERAMIC    | C1608 JB 1H 472K-T |
| C757    | 4030006880 | S.CERAMIC    | C1608 JB 1H 472K-T |
| C758    | 4030006880 | S.CERAMIC    | C1608 JB 1H 472K-T |
| C759    | 4030006880 | S.CERAMIC    | C1608 JB 1H 472K-T |
| C760    | 4030006880 | S.CERAMIC    | C1608 JB 1H 472K-T |
| C761    | 4030006880 | S.CERAMIC    | C1608 JB 1H 472K-T |
| C762    | 4030006880 | S.CERAMIC    | C1608 JB 1H 472K-T |
| C763    | 4030006880 | S.CERAMIC    | C1608 JB 1H 472K-T |
| C764    | 4030006880 | S.CERAMIC    | C1608 JB 1H 472K-T |
| C765    | 4030006880 | S.CERAMIC    | C1608 JB 1H 472K-T |
| C766    | 4030006880 | S.CERAMIC    | C1608 JB 1H 472K-T |
| C767    | 4030006880 | S.CERAMIC    | C1608 JB 1H 472K-T |
| C768    | 4030006880 | S.CERAMIC    | C1608 JB 1H 472K-T |
| C769    | 4030006880 | S.CERAMIC    | C1608 JB 1H 472K-T |
| C770    | 4510001940 | ELECTROLYTIC | 16 MS7 22UF (5X7)  |
| C783    | 4030011190 | S.CERAMIC    | GRM31M2C2H270JV01L |
| C800    | 4030006880 | S.CERAMIC    | C1608 JB 1H 472K-T |
| C801    | 4030006880 | S.CERAMIC    | C1608 JB 1H 472K-T |
| C802    | 4030006880 | S.CERAMIC    | C1608 JB 1H 472K-T |
| C803    | 4030006880 | S.CERAMIC    | C1608 JB 1H 472K-T |
| C804    | 4030006880 | S.CERAMIC    | C1608 JB 1H 472K-T |
| C805    | 4030006880 | S.CERAMIC    | C1608 JB 1H 472K-T |
| C806    | 4030006880 | S.CERAMIC    | C1608 JB 1H 472K-T |
| C807    | 4030006880 | S.CERAMIC    | C1608 JB 1H 472K-T |
| C808    | 4030006880 | S.CERAMIC    | C1608 JB 1H 472K-T |
| C809    | 4030006880 | S.CERAMIC    | C1608 JB 1H 472K-T |
| C810    | 4030006880 | S.CERAMIC    | C1608 JB 1H 472K-T |
| C811    | 4030006880 | S.CERAMIC    | C1608 JB 1H 472K-T |
| C812    | 4030006880 | S.CERAMIC    | C1608 JB 1H 472K-T |
| C813    | 4030006880 | S.CERAMIC    | C1608 JB 1H 472K-T |
| C814    | 4030006880 | S.CERAMIC    | C1608 JB 1H 472K-T |
| C815    | 4030006880 | S.CERAMIC    | C1608 JB 1H 472K-T |
| C816    | 4030006880 | S.CERAMIC    | C1608 JB 1H 472K-T |
| C817    | 4030006880 | S.CERAMIC    | C1608 JB 1H 472K-T |
| C818    | 4030006880 | S.CERAMIC    | C1608 JB 1H 472K-T |
| C819    | 4030006880 | S.CERAMIC    | C1608 JB 1H 472K-T |
| C820    | 4030006880 | S.CERAMIC    | C1608 JB 1H 472K-T |
| C821    | 4030006880 | S.CERAMIC    | C1608 JB 1H 472K-T |
| C850    | 4030006880 | S.CERAMIC    | C1608 JB 1H 472K-T |
| C851    | 4030006880 | S.CERAMIC    | C1608 JB 1H 472K-T |
| C852    | 4030006880 | S.CERAMIC    | C1608 JB 1H 472K-T |
| C853    | 4030006880 | S.CERAMIC    | C1608 JB 1H 472K-T |
| C854    | 4030006880 | S.CERAMIC    | C1608 JB 1H 472K-T |
| C855    | 4030006880 | S.CERAMIC    | C1608 JB 1H 472K-T |
| C856    | 4030006880 | S.CERAMIC    | C1608 JB 1H 472K-T |
| C857    | 4030006880 | S.CERAMIC    | C1608 JB 1H 472K-T |
| C858    | 4030006880 | S.CERAMIC    | C1608 JB 1H 472K-T |
| C859    | 4030006880 | S.CERAMIC    | C1608 JB 1H 472K-T |
| C860    | 4030006880 | S.CERAMIC    | C1608 JB 1H 472K-T |
| C861    | 4030006880 | S.CERAMIC    | C1608 JB 1H 472K-T |
| C862    | 4030006880 | S.CERAMIC    | C1608 JB 1H 472K-T |
| C863    | 4030006880 | S.CERAMIC    | C1608 JB 1H 472K-T |
| C864    | 4030006880 | S.CERAMIC    | C1608 JB 1H 472K-T |
| C865    | 4030006880 | S.CERAMIC    | C1608 JB 1H 472K-T |
| C866    | 4030006880 | S.CERAMIC    | C1608 JB 1H 472K-T |
| C867    | 4030006880 | S.CERAMIC    | C1608 JB 1H 472K-T |
| C868    | 4030006880 | S.CERAMIC    | C1608 JB 1H 472K-T |
| C869    | 4030006880 | S.CERAMIC    | C1608 JB 1H 472K-T |
| C870    | 4030006880 | S.CERAMIC    | C1608 JB 1H 472K-T |
| C871    | 4030006880 | S.CERAMIC    | C1608 JB 1H 472K-T |
| C872    | 4030011110 | S.CERAMIC    | GRM31M2C2H9R0DV01L |
| C873    | 4030011170 | S.CERAMIC    | GRM31M2C2H180JV01L |
| C874    | 4030011220 | S.CERAMIC    | GRM31M2C2H360JV01L |
| C875    | 4030018350 | S.CERAMIC    | GRM31A5C2J151JW01D |
| C876    | 4030018350 | S.CERAMIC    | GRM31A5C2J151JW01D |

- Ⓐ: [EUR], [EUR-1], [USA], [USA-1], [KOR], [KOR-1]
- Ⓑ: [FRA], [FRA-1], [ITA], [ITA-1]
- Ⓔ: [FRA], [FRA-1], [ESP], [ESP-1], [KOR], [KOR-1], [ITA], [ITA-1]

[PA UNIT]

| REF NO. | ORDER NO.  | DESCRIPTION |                     |
|---------|------------|-------------|---------------------|
| C877    | 4030018350 | S.CERAMIC   | GRM31A5C2J151JW01D  |
| C878    | 4030018350 | S.CERAMIC   | GRM31A5C2J151JW01D  |
| C879    | 4030018340 | S.CERAMIC   | GRM31A5C2J331JW01D  |
| C880    | 4030018480 | S.CERAMIC   | GRM31A5C2J221JW01D  |
| C881    | 4030017200 | S.CERAMIC   | GRM31BR32J102KY01L  |
| C882    | 4030018350 | S.CERAMIC   | GRM31A5C2J151JW01D  |
| C883    | 4030017200 | S.CERAMIC   | GRM31BR32J102KY01L  |
| C885    | 4030017200 | S.CERAMIC   | GRM31BR32J102KY01L  |
| C890    | 4030006880 | S.CERAMIC   | C1608 JB 1H 472K-T  |
| C891    | 4030006880 | S.CERAMIC   | C1608 JB 1H 472K-T  |
| C900    | 4030006880 | S.CERAMIC   | C1608 JB 1H 472K-T  |
| C901    | 4030006880 | S.CERAMIC   | C1608 JB 1H 472K-T  |
| C902    | 4030006880 | S.CERAMIC   | C1608 JB 1H 472K-T  |
| RL250   | 6330001720 | RELAY       | ATN 207             |
| RL400   | 6330001710 | RELAY       | ATX222              |
| RL401   | 6330001710 | RELAY       | ATX222              |
| RL420   | 6330001710 | RELAY       | ATX222              |
| RL421   | 6330001710 | RELAY       | ATX222              |
| RL440   | 6330001710 | RELAY       | ATX222              |
| RL441   | 6330001710 | RELAY       | ATX222              |
| RL460   | 6330001710 | RELAY       | ATX222              |
| RL461   | 6330001710 | RELAY       | ATX222              |
| RL480   | 6330001710 | RELAY       | ATX222              |
| RL481   | 6330001710 | RELAY       | ATX222              |
| RL500   | 6330001710 | RELAY       | ATX222              |
| RL501   | 6330001710 | RELAY       | ATX222              |
| RL520   | 6330001710 | RELAY       | ATX222              |
| RL521   | 6330001710 | RELAY       | ATX222              |
| RL640   | 6330001730 | RELAY       | AHY107              |
| RL641   | 6330001730 | RELAY       | AHY107              |
| RL750   | 6330001710 | RELAY       | ATX222              |
| RL751   | 6330001710 | RELAY       | ATX222              |
| RL752   | 6330001710 | RELAY       | ATX222              |
| RL753   | 6330001710 | RELAY       | ATX222              |
| RL754   | 6330001710 | RELAY       | ATX222              |
| RL755   | 6330001710 | RELAY       | ATX222              |
| RL756   | 6330001710 | RELAY       | ATX222              |
| RL757   | 6330001710 | RELAY       | ATX222              |
| RL758   | 6330001710 | RELAY       | ATX222              |
| RL759   | 6330001710 | RELAY       | ATX222              |
| RL850   | 6330001710 | RELAY       | ATX222              |
| RL851   | 6330001710 | RELAY       | ATX222              |
| RL852   | 6330001710 | RELAY       | ATX222              |
| RL853   | 6330001710 | RELAY       | ATX222              |
| RL854   | 6330001710 | RELAY       | ATX222              |
| RL855   | 6330001710 | RELAY       | ATX222              |
| RL856   | 6330001710 | RELAY       | ATX222              |
| RL857   | 6330001710 | RELAY       | ATX222              |
| RL858   | 6330001710 | RELAY       | ATX222              |
| RL859   | 6330001710 | RELAY       | ATX222              |
| RL860   | 6330001710 | RELAY       | ATX222              |
| J1      | 6510022650 | S.CONNECTOR | 18FMN-BMTTR-A-TBT   |
| J41     | 6510022650 | S.CONNECTOR | 18FMN-BMTTR-A-TBT   |
| J100    | 6510007020 | CONNECTOR   | TMP-J01X-V6         |
| J300    | 6510007020 | CONNECTOR   | TMP-J01X-V6         |
| J600    | 6510022620 | S.CONNECTOR | 10FMN-BMTTR-A-TBT   |
| J640    | 6910003140 | CONNECTOR   | IMSA-9202B-1-02T    |
| J641    | 6910003140 | CONNECTOR   | IMSA-9202B-1-02T    |
| J642    | 6910003140 | CONNECTOR   | IMSA-9202B-1-02T    |
| P641    | 6910003120 | CONNECTOR   | IMSA-9206H-T        |
| F80     | 5210000130 | FUSE        | FGB 4A (FGB0 125V)  |
| F81     | 5220000230 | HOLDER      | S-N5054 #01         |
| F82     | 5220000230 | HOLDER      | S-N5054 #01         |
| W80     | 8900011990 | CABLE       | OPC-1215            |
| W400    | 7030000010 | S.JUMPER    | MCR10EZJH JPW (000) |
| W401    | 7030000010 | S.JUMPER    | MCR10EZJH JPW (000) |
| W402    | 7030000010 | S.JUMPER    | MCR10EZJH JPW (000) |
| W420    | 7030000010 | S.JUMPER    | MCR10EZJH JPW (000) |

- Ⓐ only
- Ⓑ only

- Ⓐ: [EUR], [EUR-1], [ESP], [ESP-1], [OTH], [OTH-1]
- Ⓑ: [ESP], [ESP-1], [KOR], [KOR-1], [ITA], [ITA-1]
- Ⓔ: [FRA], [FRA-1], [ESP], [ESP-1], [OTH], [OTH-1], [ITA], [ITA-1]

S.=Surface mount



**[PA UNIT]**

| REF NO. | ORDER NO.  | DESCRIPTION |                     |
|---------|------------|-------------|---------------------|
| W421    | 7030000010 | S.JUMPER    | MCR10EZHJ JPW (000) |
| W440    | 7030000010 | S.JUMPER    | MCR10EZHJ JPW (000) |
| W441    | 7030000010 | S.JUMPER    | MCR10EZHJ JPW (000) |
| W460    | 7030000010 | S.JUMPER    | MCR10EZHJ JPW (000) |
| W461    | 7030000010 | S.JUMPER    | MCR10EZHJ JPW (000) |
| W468    | 7030003860 | S.JUMPER    | ERJ3GE JPW V        |
| W469    | 7030000010 | S.JUMPER    | MCR10EZHJ JPW (000) |
| W480    | 7030000010 | S.JUMPER    | MCR10EZHJ JPW (000) |
| W481    | 7030000010 | S.JUMPER    | MCR10EZHJ JPW (000) |
| W500    | 7030000010 | S.JUMPER    | MCR10EZHJ JPW (000) |
| W501    | 7030000010 | S.JUMPER    | MCR10EZHJ JPW (000) |
| W502    | 7030000010 | S.JUMPER    | MCR10EZHJ JPW (000) |
| W521    | 7030000010 | S.JUMPER    | MCR10EZHJ JPW (000) |
| W562    | 7030010250 | S.JUMPER    | ERJ1TYJ 0R00U       |
| W640    | 7030003860 | S.JUMPER    | ERJ3GE JPW V        |
| W641    | 7030003860 | S.JUMPER    | ERJ3GE JPW V        |
| W642    | 7030003860 | S.JUMPER    | ERJ3GE JPW V        |
| W643    | 7030003860 | S.JUMPER    | ERJ3GE JPW V        |
| W644    | 7030003860 | S.JUMPER    | ERJ3GE JPW V        |
| W645    | 7030000010 | S.JUMPER    | MCR10EZHJ JPW (000) |
| W647    | 7030003860 | S.JUMPER    | ERJ3GE JPW V        |
| W750    | 7030008240 | S.JUMPER    | ERJ12YJ0R00U        |
| W753    | 7030003860 | S.JUMPER    | ERJ3GE JPW V        |
| W754    | 7030003860 | S.JUMPER    | ERJ3GE JPW V        |
| W755    | 7030003860 | S.JUMPER    | ERJ3GE JPW V        |
| W756    | 7030003860 | S.JUMPER    | ERJ3GE JPW V        |
| W757    | 7030003860 | S.JUMPER    | ERJ3GE JPW V        |
| W758    | 7030003860 | S.JUMPER    | ERJ3GE JPW V        |
| W759    | 7030003860 | S.JUMPER    | ERJ3GE JPW V        |
| W760    | 7030003860 | S.JUMPER    | ERJ3GE JPW V        |
| W761    | 7030003860 | S.JUMPER    | ERJ3GE JPW V        |
| W762    | 7030003860 | S.JUMPER    | ERJ3GE JPW V        |
| W763    | 7030003860 | S.JUMPER    | ERJ3GE JPW V        |
| W764    | 7030003860 | S.JUMPER    | ERJ3GE JPW V        |
| W765    | 7030003860 | S.JUMPER    | ERJ3GE JPW V        |
| W766    | 7030003860 | S.JUMPER    | ERJ3GE JPW V        |
| W767    | 7030003860 | S.JUMPER    | ERJ3GE JPW V        |
| W768    | 7030003860 | S.JUMPER    | ERJ3GE JPW V        |
| W769    | 7030003860 | S.JUMPER    | ERJ3GE JPW V        |
| W770    | 7030003860 | S.JUMPER    | ERJ3GE JPW V        |
| W771    | 7030003860 | S.JUMPER    | ERJ3GE JPW V        |
| W772    | 7030003860 | S.JUMPER    | ERJ3GE JPW V        |
| W870    | 7030003860 | S.JUMPER    | ERJ3GE JPW V        |
| W871    | 7030003860 | S.JUMPER    | ERJ3GE JPW V        |
| W999    | 7120000470 | JUMPER      | ERDS2T0             |
| WS1     | 8600036911 |             | SX2591 J901*900PA-1 |
| EP1     | 0910055855 | PCB         | B 5903E             |
| EP40    | 6910012350 | S.BEAD      | MMZ1608Y 102BT      |
| EP41    | 6910012350 | S.BEAD      | MMZ1608Y 102BT      |
| EP42    | 6910012350 | S.BEAD      | MMZ1608Y 102BT      |
| EP43    | 6910012350 | S.BEAD      | MMZ1608Y 102BT      |
| EP904   | 9010000630 | TUBE        | TUBE 10(d)          |

**[MAIN UNIT]**

| REF NO. | ORDER NO.  | DESCRIPTION |                  |
|---------|------------|-------------|------------------|
| IC101   | 1110004080 | S.IC        | μPC2709T-E3      |
| IC401   | 1130006080 | S.IC        | TC74HC02AF (TP1) |
| IC1401  | 1130005640 | S.IC        | TC4W53F (TE12L)  |
| IC1601  | 1110003300 | S.IC        | M5282FP 70CD     |
| IC1602  | 1130005640 | S.IC        | TC4W53F (TE12L)  |
| IC1621  | 1110002680 | S.IC        | NJM2902M-T1      |
| IC1701  | 1130007820 | S.IC        | BU4052BCF-T1     |
| IC1751  | 1130005640 | S.IC        | TC4W53F (TE12L)  |
| IC1801  | 1110005460 | S.IC        | TA4107F (TE12L)  |
| IC1901  | 1110004870 | S.IC        | TA4101F (TE12L)  |
| IC2101  | 1110003490 | S.IC        | TA31136FN (D,EL) |
| IC2201  | 1110003870 | S.IC        | NJM2058M-TE1     |

**[MAIN UNIT]**

| REF NO. | ORDER NO.  | DESCRIPTION   |                          |
|---------|------------|---------------|--------------------------|
| IC2301  | 1130007820 | S.IC          | BU4052BCF-T1             |
| IC2401  | 1110002680 | S.IC          | NJM2902M-T1              |
| IC2461  | 1130005640 | S.IC          | TC4W53F (TE12L)          |
| IC2651  | 1130005640 | S.IC          | TC4W53F (TE12L)          |
| IC2701  | 1110002680 | S.IC          | NJM2902M-T1              |
| IC4001  | 1130005720 | S.IC          | TC7W04F (TE12L)          |
| IC5401  | 1130009690 | S.IC          | TC74HCT7007AF            |
| IC5601  | 1130007820 | S.IC          | BU4052BCF-T1             |
| IC5701  | 1130003830 | S.IC          | TC7S04F (TE85R)          |
| IC5851  | 1130010520 | S.IC          | SN74HCT244APWR           |
| IC5901  | 1140011200 | S.IC          | M30620FCMGP              |
| IC5961  | 1130011210 | S.IC          | CAT24WC64J-TE13          |
| IC5981  | 1110005820 | S.IC          | R3112N281A-TR            |
| IC6101  | 1130007700 | S.IC          | BU4094BCF-E2             |
| IC6501  | 1190001350 | S.IC          | M62364FP 600D            |
| IC7001  | 1110002680 | S.IC          | NJM2902M-T1              |
| IC7201  | 1110003300 | S.IC          | M5282FP 70CD             |
| IC7301  | 1110003250 | S.IC          | TDA7233D (TDA7233D013TR) |
| IC9001  | 1190001810 | S.IC          | AD9833BRM                |
| IC9101  | 1110005220 | S.IC          | MC145170D2R2             |
| IC9521  | 1130004830 | S.IC          | TC7SU04F (TE85R)         |
| IC9601  | 1130007660 | S.IC          | LC7153M-TLM              |
| IC9681  | 1180000420 | S.IC          | TA78L05F (TE12R)         |
| IC9691  | 1130005720 | S.IC          | TC7W04F (TE12L)          |
| IC9701  | 1190001810 | S.IC          | AD9833BRM                |
| IC9801  | 1130009690 | S.IC          | TC74HCT7007AF            |
| IC9901  | 1180002390 | S.REG         | S-812C33AMC-C2N-T2       |
| IC9921  | 1180002020 | S.REG         | BA033FP-E2               |
| IC9941  | 1180001070 | S.IC          | TA7805F (TE16L)          |
| IC9961  | 1180002010 | S.REG         | BA08FP-E2                |
| Q1      | 1590001870 | S. TRANSISTOR | DTA114EE TL              |
| Q2      | 1590001870 | S. TRANSISTOR | DTA114EE TL              |
| Q3      | 1560001260 | S.FET         | 2SK3018 T106             |
| Q4      | 1560001260 | S.FET         | 2SK3018 T106             |
| Q101    | 1590001960 | S. TRANSISTOR | XP4311 (TX)              |
| Q102    | 1590001960 | S. TRANSISTOR | XP4311 (TX)              |
| Q401    | 1530002060 | S. TRANSISTOR | 2SC4081 T106 R           |
| Q402    | 1530002060 | S. TRANSISTOR | 2SC4081 T106 R           |
| Q403    | 1530002060 | S. TRANSISTOR | 2SC4081 T106 R           |
| Q404    | 1530002060 | S. TRANSISTOR | 2SC4081 T106 R           |
| Q405    | 1530002060 | S. TRANSISTOR | 2SC4081 T106 R           |
| Q406    | 1530002060 | S. TRANSISTOR | 2SC4081 T106 R           |
| Q407    | 1530002060 | S. TRANSISTOR | 2SC4081 T106 R           |
| Q408    | 1530002060 | S. TRANSISTOR | 2SC4081 T106 R           |
| Q409    | 1530002060 | S. TRANSISTOR | 2SC4081 T106 R           |
| Q411    | 1590001870 | S. TRANSISTOR | DTA114EE TL              |
| Q412    | 1590001870 | S. TRANSISTOR | DTA114EE TL              |
| Q413    | 1590001870 | S. TRANSISTOR | DTA114EE TL              |
| Q415    | 1560001260 | S.FET         | 2SK3018 T106             |
| Q416    | 1560001260 | S.FET         | 2SK3018 T106             |
| Q417    | 1560001260 | S.FET         | 2SK3018 T106             |
| Q501    | 1560000640 | S.FET         | 2SK1740-TA               |
| Q502    | 1590001870 | S. TRANSISTOR | DTA114EE TL              |
| Q651    | 1530003240 | S. TRANSISTOR | 2SC4536 QS-T1            |
| Q652    | 1590001960 | S. TRANSISTOR | XP4311 (TX)              |
| Q701    | 1590001870 | S. TRANSISTOR | DTA114EE TL              |
| Q702    | 1560001260 | S.FET         | 2SK3018 T106             |
| Q751    | 1530003150 | S. TRANSISTOR | 2SC4673D-TD              |
| Q752    | 1590001870 | S. TRANSISTOR | DTA114EE TL              |
| Q753    | 1560001260 | S.FET         | 2SK3018 T106             |
| Q811    | 1560000490 | S.FET         | 2SK508 K52 T2B           |
| Q831    | 1580000750 | S.FET         | 3SK294 (TE85L)           |
| Q881    | 1580000750 | S.FET         | 3SK294 (TE85L)           |
| Q1001   | 1590001870 | S. TRANSISTOR | DTA114EE TL              |
| Q1002   | 1530002060 | S. TRANSISTOR | 2SC4081 T106 R           |
| Q1003   | 1530002060 | S. TRANSISTOR | 2SC4081 T106 R           |
| Q1004   | 1510000510 | S. TRANSISTOR | 2SA1576A T106R           |
| Q1005   | 1530002060 | S. TRANSISTOR | 2SC4081 T106 R           |
| Q1006   | 1560001260 | S.FET         | 2SK3018 T106             |
| Q1051   | 1560000560 | S.FET         | 2SK882-GR (TE85L)        |
| Q1052   | 1560000560 | S.FET         | 2SK882-GR (TE85L)        |
| Q1053   | 1560000560 | S.FET         | 2SK882-GR (TE85L)        |
| Q1101   | 1580000750 | S.FET         | 3SK294 (TE85L)           |
| Q1102   | 1590002310 | S. TRANSISTOR | DTC114EE TL              |
| Q1201   | 1560000560 | S.FET         | 2SK882-GR (TE85L)        |
| Q1251   | 1530002060 | S. TRANSISTOR | 2SC4081 T106 R           |

Ⓐ: [EUR], [EUR-1], [USA], [USA-1], [KOR], [KOR-1]

Ⓒ: [FRA], [FRA-1], [ITA], [ITA-1]

Ⓔ: [FRA], [FRA-1], [ESP], [ESP-1], [KOR], [KOR-1], [ITA], [ITA-1]

Ⓑ: [EUR], [EUR-1], [ESP], [ESP-1], [OTH], [OTH-1]

Ⓓ: [ESP], [ESP-1], [KOR], [KOR-1], [ITA], [ITA-1]

Ⓕ: [FRA], [FRA-1], [ESP], [ESP-1], [OTH], [OTH-1], [ITA], [ITA-1]

S.=Surface mount

[MAIN UNIT]

| REF NO. | ORDER NO.  | DESCRIPTION                 |          |
|---------|------------|-----------------------------|----------|
| Q1301   | 1590001870 | S.TRANSISTOR DTA114EE TL    |          |
| Q1302   | 1590001870 | S.TRANSISTOR DTA114EE TL    |          |
| Q1303   | 1590001870 | S.TRANSISTOR DTA114EE TL    |          |
| Q1304   | 1590001870 | S.TRANSISTOR DTA114EE TL    |          |
| Q1305   | 1560001260 | S.FET 2SK3018 T106          |          |
| Q1306   | 1560001260 | S.FET 2SK3018 T106          |          |
| Q1307   | 1560001260 | S.FET 2SK3018 T106          |          |
| Q1308   | 1560001260 | S.FET 2SK3018 T106          |          |
| Q1401   | 1580000750 | S.FET 3SK294 (TE85L)        |          |
| Q1402   | 1590002310 | S.TRANSISTOR DTC114EE TL    |          |
| Q1403   | 1590001330 | S.TRANSISTOR DTA114EUA T106 |          |
| Q1404   | 1560001260 | S.FET 2SK3018 T106          |          |
| Q1701   | 1590002310 | S.TRANSISTOR DTC114EE TL    |          |
| Q1721   | 1530002060 | S.TRANSISTOR 2SC4081 T106 R |          |
| Q1801   | 1590002310 | S.TRANSISTOR DTC114EE TL    |          |
| Q1802   | 1590001870 | S.TRANSISTOR DTA114EE TL    |          |
| Q1803   | 1560001260 | S.FET 2SK3018 T106          |          |
| Q1851   | 1590001870 | S.TRANSISTOR DTA114EE TL    |          |
| Q1852   | 1590001870 | S.TRANSISTOR DTA114EE TL    |          |
| Q1853   | 1560001260 | S.FET 2SK3018 T106          |          |
| Q1854   | 1560001260 | S.FET 2SK3018 T106          |          |
| Q1855   | 1560001260 | S.FET 2SK3018 T106          |          |
| Q2101   | 1590001870 | S.TRANSISTOR DTA114EE TL    |          |
| Q2102   | 1560001260 | S.FET 2SK3018 T106          |          |
| Q2103   | 1590001330 | S.TRANSISTOR DTA114EUA T106 |          |
| Q2104   | 1560001260 | S.FET 2SK3018 T106          |          |
| Q2451   | 1560001260 | S.FET 2SK3018 T106          |          |
| Q2452   | 1560001260 | S.FET 2SK3018 T106          |          |
| Q2454   | 1560001260 | S.FET 2SK3018 T106          |          |
| Q2455   | 1560001260 | S.FET 2SK3018 T106          |          |
| Q2461   | 1520000450 | S.TRANSISTOR 2SB1132 T100 Q |          |
| Q2462   | 1560001260 | S.FET 2SK3018 T106          |          |
| Q2501   | 1530002060 | S.TRANSISTOR 2SC4081 T106 R |          |
| Q2502   | 1590001870 | S.TRANSISTOR DTA114EE TL    |          |
| Q2503   | 1590001870 | S.TRANSISTOR DTA114EE TL    |          |
| Q2504   | 1560001260 | S.FET 2SK3018 T106          |          |
| Q2505   | 1560001260 | S.FET 2SK3018 T106          |          |
| Q2601   | 1560001260 | S.FET 2SK3018 T106          |          |
| Q2701   | 1590002310 | S.TRANSISTOR DTC114EE TL    |          |
| Q2702   | 1590002310 | S.TRANSISTOR DTC114EE TL    |          |
| Q2703   | 1560001260 | S.FET 2SK3018 T106          |          |
| Q2704   | 1560001260 | S.FET 2SK3018 T106          |          |
| Q2705   | 1560001260 | S.FET 2SK3018 T106          |          |
| Q2781   | 1510000510 | S.TRANSISTOR 2SA1576A T106R |          |
| Q4001   | 1510000510 | S.TRANSISTOR 2SA1576A T106R |          |
| Q4002   | 1530002060 | S.TRANSISTOR 2SC4081 T106 R |          |
| Q5401   | 1530002060 | S.TRANSISTOR 2SC4081 T106 R |          |
| Q5701   | 1560001260 | S.FET 2SK3018 T106          |          |
| Q5851   | 1560001260 | S.FET 2SK3018 T106          |          |
| Q6201   | 1590002310 | S.TRANSISTOR DTC114EE TL    |          |
| Q6321   | 1590002310 | S.TRANSISTOR DTC114EE TL    |          |
| Q6322   | 1520000450 | S.TRANSISTOR 2SB1132 T100 Q |          |
| Q6323   | 1560001260 | S.FET 2SK3018 T106          |          |
| Q6341   | 1590002310 | S.TRANSISTOR DTC114EE TL    |          |
| Q6342   | 1520000450 | S.TRANSISTOR 2SB1132 T100 Q |          |
| Q6343   | 1560001260 | S.FET 2SK3018 T106          |          |
| Q6471   | 1530002060 | S.TRANSISTOR 2SC4081 T106 R |          |
| Q6601   | 1530002060 | S.TRANSISTOR 2SC4081 T106 R |          |
| Q6641   | 1560001290 | S.FET 2SK3065 T100          |          |
| Q6661   | 1530002060 | S.TRANSISTOR 2SC4081 T106 R |          |
| Q6851   | 1560001260 | S.FET 2SK3018 T106          |          |
| Q7351   | 1520000450 | S.TRANSISTOR 2SB1132 T100 Q |          |
| Q7352   | 1530002060 | S.TRANSISTOR 2SC4081 T106 R |          |
| Q7371   | 1560001220 | S.FET ECH8301-TL            |          |
| Q7372   | 1560001260 | S.FET 2SK3018 T106          |          |
| Q9051   | 1530002060 | S.TRANSISTOR 2SC4081 T106 R |          |
| Q9201   | 1560000490 | S.FET 2SK508 K52 T2B        |          |
| Q9202   | 1530002060 | S.TRANSISTOR 2SC4081 T106 R | (A) only |
| Q9221   | 1530002060 | S.TRANSISTOR 2SC4081 T106 R |          |
| Q9251   | 1560000490 | S.FET 2SK508 K52 T2B        | (A) only |
| Q9252   | 1530002060 | S.TRANSISTOR 2SC4081 T106 R | (A) only |
| Q9301   | 1530003220 | S.TRANSISTOR 2SC4406-4-TL   |          |
| Q9401   | 1590001870 | S.TRANSISTOR DTA114EE TL    | (A) only |
| Q9600   | 1560001260 | S.FET 2SK3018 T106          |          |
| Q9621   | 1560000330 | S.FET 2SK210-GR (TE85R)     |          |
| Q9651   | 1530003150 | S.TRANSISTOR 2SC4673D-TD    |          |
| Q9681   | 1530002060 | S.TRANSISTOR 2SC4081 T106 R |          |
| Q9801   | 1590001960 | S.TRANSISTOR XP4311 (TX)    |          |

(A): [EUR], [EUR-1], [USA], [USA-1], [KOR], [KOR-1]  
 (C): [FRA], [FRA-1], [ITA], [ITA-1]  
 (E): [FRA], [FRA-1], [ESP], [ESP-1], [KOR], [KOR-1], [ITA], [ITA-1]

[MAIN UNIT]

| REF NO. | ORDER NO.  | DESCRIPTION              |  |
|---------|------------|--------------------------|--|
| Q9960   | 1560001260 | S.FET 2SK3018 T106       |  |
| Q9963   | 1590001870 | S.TRANSISTOR DTA114EE TL |  |
| Q9964   | 1590001870 | S.TRANSISTOR DTA114EE TL |  |
| Q9965   | 1560001260 | S.FET 2SK3018 T106       |  |
| Q9966   | 1560001260 | S.FET 2SK3018 T106       |  |
| Q9967   | 1590001870 | S.TRANSISTOR DTA114EE TL |  |
| Q9968   | 1560001220 | S.FET ECH8301-TL         |  |
| D1      | 1790000620 | S.DIODE MA77 (TX)        |  |
| D2      | 1790000620 | S.DIODE MA77 (TX)        |  |
| D3      | 1790000620 | S.DIODE MA77 (TX)        |  |
| D101    | 1790000620 | S.DIODE MA77 (TX)        |  |
| D102    | 1790000620 | S.DIODE MA77 (TX)        |  |
| D301    | 1790000620 | S.DIODE MA77 (TX)        |  |
| D302    | 1790000620 | S.DIODE MA77 (TX)        |  |
| D303    | 1790000620 | S.DIODE MA77 (TX)        |  |
| D305    | 1790000620 | S.DIODE MA77 (TX)        |  |
| D501    | 1790000620 | S.DIODE MA77 (TX)        |  |
| D502    | 1790000620 | S.DIODE MA77 (TX)        |  |
| D521    | 1790000620 | S.DIODE MA77 (TX)        |  |
| D522    | 1790000620 | S.DIODE MA77 (TX)        |  |
| D541    | 1790000620 | S.DIODE MA77 (TX)        |  |
| D542    | 1790000620 | S.DIODE MA77 (TX)        |  |
| D551    | 1790000620 | S.DIODE MA77 (TX)        |  |
| D552    | 1790000620 | S.DIODE MA77 (TX)        |  |
| D561    | 1790000620 | S.DIODE MA77 (TX)        |  |
| D562    | 1790000620 | S.DIODE MA77 (TX)        |  |
| D571    | 1790000620 | S.DIODE MA77 (TX)        |  |
| D572    | 1790000620 | S.DIODE MA77 (TX)        |  |
| D581    | 1790000620 | S.DIODE MA77 (TX)        |  |
| D582    | 1790000620 | S.DIODE MA77 (TX)        |  |
| D591    | 1790000620 | S.DIODE MA77 (TX)        |  |
| D592    | 1790000620 | S.DIODE MA77 (TX)        |  |
| D601    | 1790000620 | S.DIODE MA77 (TX)        |  |
| D602    | 1790000620 | S.DIODE MA77 (TX)        |  |
| D621    | 1790000620 | S.DIODE MA77 (TX)        |  |
| D622    | 1790000620 | S.DIODE MA77 (TX)        |  |
| D623    | 1790000620 | S.DIODE MA77 (TX)        |  |
| D631    | 1790000620 | S.DIODE MA77 (TX)        |  |
| D632    | 1790000620 | S.DIODE MA77 (TX)        |  |
| D701    | 1750000430 | S.DIODE HSB88WSTR        |  |
| D753    | 1790001560 | S.DIODE 1SS372 (TE85R)   |  |
| D801    | 1790000620 | S.DIODE MA77 (TX)        |  |
| D802    | 1750000530 | S.DIODE 1SV271 (TPH3)    |  |
| D803    | 1790000620 | S.DIODE MA77 (TX)        |  |
| D804    | 1790000620 | S.DIODE MA77 (TX)        |  |
| D861    | 1790000620 | S.DIODE MA77 (TX)        |  |
| D862    | 1790000620 | S.DIODE MA77 (TX)        |  |
| D863    | 1790000620 | S.DIODE MA77 (TX)        |  |
| D864    | 1790000620 | S.DIODE MA77 (TX)        |  |
| D901    | 1750000430 | S.DIODE HSB88WSTR        |  |
| D1001   | 1790001250 | S.DIODE MA2S111-(TX)     |  |
| D1002   | 1790001790 | S.DIODE RB876W TL        |  |
| D1301   | 1790000620 | S.DIODE MA77 (TX)        |  |
| D1302   | 1790000620 | S.DIODE MA77 (TX)        |  |
| D1303   | 1790000620 | S.DIODE MA77 (TX)        |  |
| D1305   | 1790000620 | S.DIODE MA77 (TX)        |  |
| D1307   | 1790000620 | S.DIODE MA77 (TX)        |  |
| D1309   | 1790000620 | S.DIODE MA77 (TX)        |  |
| D1311   | 1790000620 | S.DIODE MA77 (TX)        |  |
| D1313   | 1790000620 | S.DIODE MA77 (TX)        |  |
| D1315   | 1790000620 | S.DIODE MA77 (TX)        |  |
| D1317   | 1790000620 | S.DIODE MA77 (TX)        |  |
| D1401   | 1790000620 | S.DIODE MA77 (TX)        |  |
| D1402   | 1790000620 | S.DIODE MA77 (TX)        |  |
| D1403   | 1790000620 | S.DIODE MA77 (TX)        |  |
| D1404   | 1790000620 | S.DIODE MA77 (TX)        |  |
| D1408   | 1790001250 | S.DIODE MA2S111-(TX)     |  |
| D1641   | 1750000370 | S.DIODE DA221 TL         |  |
| D1642   | 1750000370 | S.DIODE DA221 TL         |  |
| D1801   | 1790001250 | S.DIODE MA2S111-(TX)     |  |
| D1802   | 1790001560 | S.DIODE 1SS372 (TE85R)   |  |
| D1851   | 1750000520 | S.DIODE DAN222TL         |  |
| D2001   | 1790001790 | S.DIODE RB876W TL        |  |
| D2221   | 1790001610 | S.DIODE 1SS385 (TE85L)   |  |
| D2501   | 1790001790 | S.DIODE RB876W TL        |  |
| D2502   | 1790001250 | S.DIODE MA2S111-(TX)     |  |

(A) only  
 (A) only  
 (A) only  
 (A) only

(B): [EUR], [EUR-1], [ESP], [ESP-1], [OTH], [OTH-1]  
 (D): [ESP], [ESP-1], [KOR], [KOR-1], [ITA], [ITA-1]  
 (E): [FRA], [FRA-1], [ESP], [ESP-1], [OTH], [OTH-1], [ITA], [ITA-1]

S.=Surface mount

[MAIN UNIT]

| REF NO. | ORDER NO.  | DESCRIPTION     |                             |          |
|---------|------------|-----------------|-----------------------------|----------|
| D2704   | 1790001250 | S.DIODE         | MA2S111-(TX)                |          |
| D2705   | 1160000140 | S.DIODE         | DAP222 TL                   |          |
| D2741   | 1160000140 | S.DIODE         | DAP222 TL                   |          |
| D2781   | 1790001330 | S.ZENER         | MA8036-L (TX)               |          |
| D2782   | 1160000140 | S.DIODE         | DAP222 TL                   |          |
| D4001   | 1790001250 | S.DIODE         | MA2S111-(TX)                |          |
| D5101   | 1790001560 | S.DIODE         | 1SS372 (TE85R)              |          |
| D5102   | 1790001560 | S.DIODE         | 1SS372 (TE85R)              |          |
| D5103   | 1790001560 | S.DIODE         | 1SS372 (TE85R)              |          |
| D5201   | 1790001560 | S.DIODE         | 1SS372 (TE85R)              |          |
| D5202   | 1790001560 | S.DIODE         | 1SS372 (TE85R)              |          |
| D5506   | 1790001250 | S.DIODE         | MA2S111-(TX)                |          |
| D5601   | 1790001560 | S.DIODE         | 1SS372 (TE85R)              |          |
| D5602   | 1790001560 | S.DIODE         | 1SS372 (TE85R)              |          |
| D5603   | 1790001560 | S.DIODE         | 1SS372 (TE85R)              |          |
| D5701   | 1790001560 | S.DIODE         | 1SS372 (TE85R)              |          |
| D5702   | 1790001560 | S.DIODE         | 1SS372 (TE85R)              |          |
| D5801   | 1790001250 | S.DIODE         | MA2S111-(TX)                | (B) only |
| D5802   | 1790001250 | S.DIODE         | MA2S111-(TX)                | (C) only |
| D5803   | 1790001250 | S.DIODE         | MA2S111-(TX)                | (B) only |
| D5805   | 1790001250 | S.DIODE         | MA2S111-(TX)                | (E) only |
| D5806   | 1790001250 | S.DIODE         | MA2S111-(TX)                |          |
| D5808   | 1790001250 | S.DIODE         | MA2S111-(TX)                | (F) only |
| D5813   | 1790001250 | S.DIODE         | MA2S111-(TX)                |          |
| D5981   | 1790001250 | S.DIODE         | MA2S111-(TX)                |          |
| D6001   | 1790001250 | S.DIODE         | MA2S111-(TX)                |          |
| D6201   | 1790001250 | S.DIODE         | MA2S111-(TX)                |          |
| D6321   | 1790001250 | S.DIODE         | MA2S111-(TX)                |          |
| D6341   | 1790001250 | S.DIODE         | MA2S111-(TX)                |          |
| D6361   | 1790001250 | S.DIODE         | MA2S111-(TX)                |          |
| D6471   | 1790001250 | S.DIODE         | MA2S111-(TX)                |          |
| D6601   | 1790001250 | S.DIODE         | MA2S111-(TX)                |          |
| D6661   | 1790001250 | S.DIODE         | MA2S111-(TX)                |          |
| D6801   | 1790001250 | S.DIODE         | MA2S111-(TX)                |          |
| D7351   | 1730002660 | S.ZENER         | MA8110L (TX)                |          |
| D9201   | 1720000830 | S.VARICAP       | KV1770STL                   |          |
| D9251   | 1720000830 | S.VARICAP       | KV1770STL                   | (A) only |
| D9401   | 1790000620 | S.DIODE         | MA77 (TX)                   | (A) only |
| D9621   | 1720000590 | S.VARICAP       | MA357 (TX)                  |          |
| D9622   | 1720000590 | S.VARICAP       | MA357 (TX)                  |          |
| D9801   | 1160000140 | S.DIODE         | DAP222 TL                   |          |
| FI851   | 2010002580 | S.FILTER        | FL-348 (64.455 MHz)         |          |
| FI1301  | 2020000210 | CERAMIC         | CFJ455K5 (FL-65)            |          |
| FI1341  | 2020001030 | CERAMIC         | CFWLA455KGF A-B0 (CFWS455G) |          |
| FI1501  | 2020001040 | CERAMIC         | CFWLA455KEFA-B0 (CFWS455E)  |          |
| X2101   | 6070000150 | S.DISCRIMINATOR | CDBCB455KCAY24-R0           |          |
| X5901   | 6050009870 | S.XTAL          | CR-567 (9.8304 MHz)         |          |
| X9501   | 6050011640 | S.XTAL          | CR-745 (16.384 MHz)         |          |
| L3      | 6200003260 | S.COIL          | NL 322522T-101J             |          |
| L101    | 6200005040 | S.COIL          | NL 252018T-220J             |          |
| L104    | 6200003260 | S.COIL          | NL 322522T-101J             |          |
| L201    | 6200003260 | S.COIL          | NL 322522T-101J             |          |
| L202    | 6200003260 | S.COIL          | NL 322522T-101J             |          |
| L203    | 6200003550 | S.COIL          | MLF1608A 4R7K-T             |          |
| L204    | 6200008070 | S.COIL          | MLF1608E 6R8K 6.8U          |          |
| L301    | 6200002860 | S.COIL          | NL 252018T-4R7J             |          |
| L302    | 6200003260 | S.COIL          | NL 322522T-101J             |          |
| L303    | 6200003260 | S.COIL          | NL 322522T-101J             |          |
| L304    | 6200002910 | S.COIL          | NL 252018T-R27J             |          |
| L305    | 6200004960 | S.COIL          | NL 252018T-R33J             |          |
| L501    | 6200002630 | S.COIL          | NL 252018T-R10J             | (A) only |
| L502    | 6200005010 | S.COIL          | NL 252018T-100J             | (A) only |
| L503    | 6200002650 | S.COIL          | NL 252018T-R18J             | (A) only |
| L504    | 6200010530 | S.COIL          | C2520C-R56G (0.56U)         | (A) only |
| L505    | 6200003280 | S.COIL          | NL 252018T-2R2J             | (A) only |
| L506    | 6140002810 | S.COIL          | LR-317                      | (A) only |
| L507    | 6200002180 | S.COIL          | NL 252018T-R12J             | (A) only |
| L508    | 6200005010 | S.COIL          | NL 252018T-100J             | (A) only |
| L521    | 6200005010 | S.COIL          | NL 252018T-100J             | (A) only |
| L522    | 6200002420 | S.COIL          | NL 252018T-068J             | (A) only |
| L523    | 6200002430 | S.COIL          | NL 252018T-082J             | (A) only |

(A): [EUR], [EUR-1], [USA], [USA-1], [KOR], [KOR-1]  
 (C): [FRA], [FRA-1], [ITA], [ITA-1]  
 (E): [FRA], [FRA-1], [ESP], [ESP-1], [KOR], [KOR-1], [ITA], [ITA-1]

[MAIN UNIT]

| REF NO. | ORDER NO.  | DESCRIPTION |                         |          |
|---------|------------|-------------|-------------------------|----------|
| L524    | 6200002840 | S.COIL      | NL 252018T-R22J         | (A) only |
| L525    | 6200002640 | S.COIL      | NL 252018T-R15J         | (A) only |
| L526    | 6200005010 | S.COIL      | NL 252018T-100J         | (A) only |
| L541    | 6200003240 | S.COIL      | NL 322522T-221J         |          |
| L542    | 6200003240 | S.COIL      | NL 322522T-221J         |          |
| L551    | 6200003260 | S.COIL      | NL 322522T-101J         |          |
| L552    | 6200002000 | S.COIL      | NL 252018T-3R3J         |          |
| L553    | 6200004670 | S.COIL      | NL 252018T-3R9J         |          |
| L554    | 6200003260 | S.COIL      | NL 322522T-101J         |          |
| L561    | 6200003260 | S.COIL      | NL 322522T-101J         |          |
| L562    | 6200004670 | S.COIL      | NL 252018T-3R9J         |          |
| L563    | 6200003280 | S.COIL      | NL 252018T-2R2J         |          |
| L564    | 6200003260 | S.COIL      | NL 322522T-101J         |          |
| L571    | 6200003260 | S.COIL      | NL 322522T-101J         |          |
| L572    | 6200004950 | S.COIL      | NL 252018T-1R8J         |          |
| L573    | 6200001980 | S.COIL      | NL 252018T-1R0J         |          |
| L574    | 6200003260 | S.COIL      | NL 322522T-101J         |          |
| L581    | 6200003260 | S.COIL      | NL 322522T-101J         |          |
| L582    | 6200003270 | S.COIL      | NL 252018T-R56J         |          |
| L583    | 6200002610 | S.COIL      | NL 252018T-R47J         |          |
| L584    | 6200003260 | S.COIL      | NL 322522T-101J         |          |
| L591    | 6200003260 | S.COIL      | NL 322522T-101J         |          |
| L592    | 6200002850 | S.COIL      | NL 252018T-R82J         |          |
| L593    | 6200009850 | S.COIL      | NL 252018T-R39J         |          |
| L594    | 6200003260 | S.COIL      | NL 322522T-101J         |          |
| L601    | 6200003260 | S.COIL      | NL 322522T-101J         |          |
| L602    | 6200003260 | S.COIL      | NL 322522T-101J         |          |
| L621    | 6200003260 | S.COIL      | NL 322522T-101J         |          |
| L622    | 6200003260 | S.COIL      | NL 322522T-101J         |          |
| L631    | 6200003260 | S.COIL      | NL 322522T-101J         |          |
| L632    | 6200003260 | S.COIL      | NL 322522T-101J         |          |
| L650    | 6200002180 | S.COIL      | NL 252018T-R12J         |          |
| L651    | 6200003260 | S.COIL      | NL 322522T-101J         |          |
| L652    | 6140003740 | COIL        | LR-435                  |          |
| L653    | 6200003260 | S.COIL      | NL 322522T-101J         |          |
| L654    | 6200003260 | S.COIL      | NL 322522T-101J         |          |
| L655    | 6200003260 | S.COIL      | NL 322522T-101J         |          |
| L656    | 6910011690 | S.COIL      | ACB1608M-600-T          |          |
| L681    | 6200007790 | S.COIL      | LQW2BHN R15J01L         |          |
| L682    | 6200007790 | S.COIL      | LQW2BHN R15J01L         |          |
| L683    | 6200007770 | S.COIL      | LQW2BHN R10J01L         |          |
| L701    | 6140002810 | S.COIL      | LR-317                  |          |
| L702    | 6140003210 | S.COIL      | LR-358                  |          |
| L703    | 6200003260 | S.COIL      | NL 322522T-101J         |          |
| L704    | 6200005700 | S.COIL      | ELJRE 22NG-F            |          |
| L751    | 6200004960 | S.COIL      | NL 252018T-R33J         |          |
| L752    | 6200002610 | S.COIL      | NL 252018T-R47J         |          |
| L753    | 6200002420 | S.COIL      | NL 252018T-068J         |          |
| L801    | 6200004940 | S.COIL      | MLF1608D R27K-T         |          |
| L802    | 6200010380 | S.COIL      | ELJRE R15J-F3           |          |
| L811    | 6200002910 | S.COIL      | NL 252018T-R27J         |          |
| L812    | 6200010080 | S.COIL      | LQH31HNR15J01L          |          |
| L831    | 6150004280 | COIL        | LS-484B (C-14927)       |          |
| L832    | 6150004280 | COIL        | LS-484B (C-14927)       |          |
| L851    | 6140003770 | S.COIL      | LR-414 4KBL (STP-01435) |          |
| L852    | 6140003770 | S.COIL      | LR-414 4KBL (STP-01435) |          |
| L881    | 6150004280 | COIL        | LS-484B (C-14927)       |          |
| L882    | 6150004280 | COIL        | LS-484B (C-14927)       |          |
| L901    | 6140002810 | S.COIL      | LR-317                  |          |
| L902    | 6140003530 | COIL        | LR-395                  |          |
| L1001   | 6200003260 | S.COIL      | NL 322522T-101J         |          |
| L1051   | 6200009770 | S.COIL      | LQH43NN222J01L          |          |
| L1052   | 6150002291 | COIL        | LS-450                  |          |
| L1053   | 6150002291 | COIL        | LS-450                  |          |
| L1101   | 6150002291 | COIL        | LS-450                  |          |
| L1102   | 6150002291 | COIL        | LS-450                  |          |
| L1201   | 6150002291 | COIL        | LS-450                  |          |
| L1401   | 6200009770 | S.COIL      | LQH43NN222J01L          |          |
| L1402   | 6200003260 | S.COIL      | NL 322522T-101J         |          |
| L1501   | 6150004080 | COIL        | LS-468 (C-13958)        |          |
| L1801   | 6200003260 | S.COIL      | NL 322522T-101J         |          |
| L1802   | 6200009770 | S.COIL      | LQH43NN222J01L          |          |
| L1803   | 6200003260 | S.COIL      | NL 322522T-101J         |          |
| L1901   | 6200003260 | S.COIL      | NL 322522T-101J         |          |
| L2101   | 6200003260 | S.COIL      | NL 322522T-101J         |          |
| L5004   | 6140002220 | COIL        | LR-270 (TR6X3X2 3A9)    |          |
| L5006   | 6180003290 | COIL        | BM27-400-6A             |          |
| L6701   | 6150005170 | COIL        | ELELN 102KA             |          |

(B): [EUR], [EUR-1], [ESP], [ESP-1], [OTH], [OTH-1]  
 (D): [ESP], [ESP-1], [KOR], [KOR-1], [ITA], [ITA-1]  
 (E): [FRA], [FRA-1], [ESP], [ESP-1], [OTH], [OTH-1], [ITA], [ITA-1]

S.=Surface mount

**[MAIN UNIT]**

| REF NO. | ORDER NO.  | DESCRIPTION |                         |
|---------|------------|-------------|-------------------------|
| L6804   | 6180003290 | COIL        | BM27-400-6A             |
| L6828   | 6910003570 | COIL        | 2943-666663             |
| L6951   | 6180003290 | COIL        | BM27-400-6A             |
| L6953   | 6180003290 | COIL        | BM27-400-6A             |
| L6954   | 6140002220 | COIL        | LR-270 (TR6X3X2 3A9)    |
| L6962   | 6180003290 | COIL        | BM27-400-6A             |
| L6963   | 6140002220 | COIL        | LR-270 (TR6X3X2 3A9)    |
| L7351   | 6180003290 | COIL        | BM27-400-6A             |
| L7371   | 6180003290 | COIL        | BM27-400-6A             |
| L7373   | 6180003290 | COIL        | BM27-400-6A             |
| L9021   | 6200005010 | S.COIL      | NL 252018T-100J         |
| L9022   | 6200005010 | S.COIL      | NL 252018T-100J         |
| L9051   | 6200004960 | S.COIL      | NL 252018T-R33J         |
| L9052   | 6200003120 | S.COIL      | NL 322522T-8R2J         |
| L9053   | 6200004960 | S.COIL      | NL 252018T-R33J         |
| L9101   | 6200005050 | S.COIL      | NL 252018T-330J         |
| L9151   | 6200008910 | S.COIL      | 1812CS-122XKBC          |
| L9201   | 6200008910 | S.COIL      | 1812CS-122XKBC          |
| L9202   | 6190001280 | COIL        | E544GN-110248           |
| L9203   | 6200008910 | S.COIL      | 1812CS-122XKBC          |
| L9251   | 6200008910 | S.COIL      | 1812CS-122XKBC          |
| L9252   | 6190001600 | COIL        | E544GN-110275           |
| L9253   | 6200008910 | S.COIL      | 1812CS-122XKBC          |
| L9301   | 6200004960 | S.COIL      | NL 252018T-R33J         |
| L9401   | 6200002410 | S.COIL      | NL 252018T-056J         |
| L9402   | 6200002420 | S.COIL      | NL 252018T-068J         |
| L9403   | 6200002420 | S.COIL      | NL 252018T-068J         |
| L9404   | 6200002840 | S.COIL      | NL 252018T-R22J         |
| L9521   | 6200002000 | S.COIL      | NL 252018T-3R3J         |
| L9522   | 6200004670 | S.COIL      | NL 252018T-3R9J         |
| L9523   | 6200005010 | S.COIL      | NL 252018T-100J         |
| L9524   | 6200005010 | S.COIL      | NL 252018T-100J         |
| L9525   | 6200005010 | S.COIL      | NL 252018T-100J         |
| L9621   | 6200008910 | S.COIL      | 1812CS-122XKBC          |
| L9622   | 6190001280 | COIL        | E544GN-110248           |
| L9623   | 6180003290 | COIL        | BM27-400-6A             |
| L9624   | 6200008910 | S.COIL      | 1812CS-122XKBC          |
| L9651   | 6200007790 | S.COIL      | LQW2BHN15J01L           |
| L9672   | 6200002180 | S.COIL      | NL 252018T-R12J         |
| L9751   | 6200003240 | S.COIL      | NL 322522T-221J         |
| L9960   | 6140002220 | COIL        | LR-270 (TR6X3X2 3A9)    |
| R1      | 7030003320 | S.RESISTOR  | ERJ3GEYJ 101 V (100 Ω)  |
| R2      | 7030003380 | S.RESISTOR  | ERJ3GEYJ 331 V (330 Ω)  |
| R3      | 7030003290 | S.RESISTOR  | ERJ3GEYJ 560 V (56 Ω)   |
| R4      | 7030003720 | S.RESISTOR  | ERJ3GEYJ 224 V (220 kΩ) |
| R5      | 7030003360 | S.RESISTOR  | ERJ3GEYJ 221 V (220 Ω)  |
| R6      | 7030003720 | S.RESISTOR  | ERJ3GEYJ 224 V (220 kΩ) |
| R7      | 7030003440 | S.RESISTOR  | ERJ3GEYJ 102 V (1 kΩ)   |
| R8      | 7030003640 | S.RESISTOR  | ERJ3GEYJ 473 V (47 kΩ)  |
| R9      | 7030003440 | S.RESISTOR  | ERJ3GEYJ 102 V (1 kΩ)   |
| R10     | 7030003640 | S.RESISTOR  | ERJ3GEYJ 473 V (47 kΩ)  |
| R11     | 7030003360 | S.RESISTOR  | ERJ3GEYJ 221 V (220 Ω)  |
| R101    | 7030003370 | S.RESISTOR  | ERJ3GEYJ 271 V (270 Ω)  |
| R102    | 7030003230 | S.RESISTOR  | ERJ3GEYJ 180 V (18 Ω)   |
| R103    | 7030003370 | S.RESISTOR  | ERJ3GEYJ 271 V (270 Ω)  |
| R104    | 7030003200 | S.RESISTOR  | ERJ3GEYJ 100 V (10 Ω)   |
| R105    | 7030003720 | S.RESISTOR  | ERJ3GEYJ 224 V (220 kΩ) |
| R106    | 7030003350 | S.RESISTOR  | ERJ3GEYJ 181 V (180 Ω)  |
| R201    | 7030003400 | S.RESISTOR  | ERJ3GEYJ 471 V (470 Ω)  |
| R202    | 7030003320 | S.RESISTOR  | ERJ3GEYJ 101 V (100 Ω)  |
| R203    | 7030003310 | S.RESISTOR  | ERJ3GEYJ 820 V (82 Ω)   |
| R204    | 7030003320 | S.RESISTOR  | ERJ3GEYJ 101 V (100 Ω)  |
| R205    | 7030003370 | S.RESISTOR  | ERJ3GEYJ 271 V (270 Ω)  |
| R206    | 7030003720 | S.RESISTOR  | ERJ3GEYJ 224 V (220 kΩ) |
| R305    | 7030003720 | S.RESISTOR  | ERJ3GEYJ 224 V (220 kΩ) |
| R306    | 7030003720 | S.RESISTOR  | ERJ3GEYJ 224 V (220 kΩ) |
| R401    | 7030003440 | S.RESISTOR  | ERJ3GEYJ 102 V (1 kΩ)   |
| R402    | 7030003560 | S.RESISTOR  | ERJ3GEYJ 103 V (10 kΩ)  |
| R403    | 7030003560 | S.RESISTOR  | ERJ3GEYJ 103 V (10 kΩ)  |
| R404    | 7030003560 | S.RESISTOR  | ERJ3GEYJ 103 V (10 kΩ)  |
| R405    | 7030003560 | S.RESISTOR  | ERJ3GEYJ 103 V (10 kΩ)  |
| R406    | 7030003560 | S.RESISTOR  | ERJ3GEYJ 103 V (10 kΩ)  |
| R407    | 7030003560 | S.RESISTOR  | ERJ3GEYJ 103 V (10 kΩ)  |
| R408    | 7030003560 | S.RESISTOR  | ERJ3GEYJ 103 V (10 kΩ)  |
| R409    | 7030003560 | S.RESISTOR  | ERJ3GEYJ 103 V (10 kΩ)  |
| R411    | 7030003440 | S.RESISTOR  | ERJ3GEYJ 102 V (1 kΩ)   |

Ⓐ: [EUR], [EUR-1], [USA], [USA-1], [KOR], [KOR-1]  
 ㉔: [FRA], [FRA-1], [ITA], [ITA-1]  
 ㉓: [FRA], [FRA-1], [ESP], [ESP-1], [KOR], [KOR-1], [ITA], [ITA-1]

**[MAIN UNIT]**

| REF NO. | ORDER NO.  | DESCRIPTION  |                            |
|---------|------------|--------------|----------------------------|
| R412    | 7030003440 | S.RESISTOR   | ERJ3GEYJ 102 V (1 kΩ)      |
| R413    | 7030003440 | S.RESISTOR   | ERJ3GEYJ 102 V (1 kΩ)      |
| R415    | 7030003640 | S.RESISTOR   | ERJ3GEYJ 473 V (47 kΩ)     |
| R416    | 7030003640 | S.RESISTOR   | ERJ3GEYJ 473 V (47 kΩ)     |
| R417    | 7030003640 | S.RESISTOR   | ERJ3GEYJ 473 V (47 kΩ)     |
| R501    | 7030003390 | S.RESISTOR   | ERJ3GEYJ 391 V (390 Ω)     |
| R502    | 7030003280 | S.RESISTOR   | ERJ3GEYJ 470 V (47 Ω)      |
| R503    | 7030004050 | S.RESISTOR   | ERJ3GEYJ 1R0 V (1 Ω)       |
| R504    | 7030003280 | S.RESISTOR   | ERJ3GEYJ 470 V (47 Ω)      |
| R505    | 7030003370 | S.RESISTOR   | ERJ3GEYJ 271 V (270 Ω)     |
| R521    | 7030003390 | S.RESISTOR   | ERJ3GEYJ 391 V (390 Ω)     |
| R522    | 7030003400 | S.RESISTOR   | ERJ3GEYJ 471 V (470 Ω)     |
| R523    | 7030003720 | S.RESISTOR   | ERJ3GEYJ 224 V (220 kΩ)    |
| R541    | 7030003380 | S.RESISTOR   | ERJ3GEYJ 331 V (330 Ω)     |
| R542    | 7030003370 | S.RESISTOR   | ERJ3GEYJ 271 V (270 Ω)     |
| R543    | 7030003720 | S.RESISTOR   | ERJ3GEYJ 224 V (220 kΩ)    |
| R551    | 7030003380 | S.RESISTOR   | ERJ3GEYJ 331 V (330 Ω)     |
| R552    | 7030003370 | S.RESISTOR   | ERJ3GEYJ 271 V (270 Ω)     |
| R553    | 7030003720 | S.RESISTOR   | ERJ3GEYJ 224 V (220 kΩ)    |
| R561    | 7030003380 | S.RESISTOR   | ERJ3GEYJ 331 V (330 Ω)     |
| R562    | 7030003370 | S.RESISTOR   | ERJ3GEYJ 271 V (270 Ω)     |
| R563    | 7030003720 | S.RESISTOR   | ERJ3GEYJ 224 V (220 kΩ)    |
| R571    | 7030003380 | S.RESISTOR   | ERJ3GEYJ 331 V (330 Ω)     |
| R572    | 7030003370 | S.RESISTOR   | ERJ3GEYJ 271 V (270 Ω)     |
| R573    | 7030003720 | S.RESISTOR   | ERJ3GEYJ 224 V (220 kΩ)    |
| R581    | 7030003380 | S.RESISTOR   | ERJ3GEYJ 331 V (330 Ω)     |
| R582    | 7030003370 | S.RESISTOR   | ERJ3GEYJ 271 V (270 Ω)     |
| R583    | 7030003720 | S.RESISTOR   | ERJ3GEYJ 224 V (220 kΩ)    |
| R591    | 7030003380 | S.RESISTOR   | ERJ3GEYJ 331 V (330 Ω)     |
| R592    | 7030003370 | S.RESISTOR   | ERJ3GEYJ 271 V (270 Ω)     |
| R593    | 7030003720 | S.RESISTOR   | ERJ3GEYJ 224 V (220 kΩ)    |
| R601    | 7030003720 | S.RESISTOR   | ERJ3GEYJ 224 V (220 kΩ)    |
| R602    | 7030003720 | S.RESISTOR   | ERJ3GEYJ 224 V (220 kΩ)    |
| R621    | 7030003720 | S.RESISTOR   | ERJ3GEYJ 224 V (220 kΩ)    |
| R622    | 7030003720 | S.RESISTOR   | ERJ3GEYJ 224 V (220 kΩ)    |
| R623    | 7030003360 | S.RESISTOR   | ERJ3GEYJ 221 V (220 Ω)     |
| R624    | 7030003360 | S.RESISTOR   | ERJ3GEYJ 221 V (220 Ω)     |
| R631    | 7030003320 | S.RESISTOR   | ERJ3GEYJ 101 V (100 Ω)     |
| R632    | 7030003290 | S.RESISTOR   | ERJ3GEYJ 560 V (56 Ω)      |
| R633    | 7030003320 | S.RESISTOR   | ERJ3GEYJ 101 V (100 Ω)     |
| R634    | 7030003720 | S.RESISTOR   | ERJ3GEYJ 224 V (220 kΩ)    |
| R635    | 7030003720 | S.RESISTOR   | ERJ3GEYJ 224 V (220 kΩ)    |
| R651    | 7030003280 | S.RESISTOR   | ERJ3GEYJ 470 V (47 Ω)      |
| R652    | 7030003440 | S.RESISTOR   | ERJ3GEYJ 102 V (1 kΩ)      |
| R653    | 7030003520 | S.RESISTOR   | ERJ3GEYJ 472 V (4.7 kΩ)    |
| R654    | 7030003720 | S.RESISTOR   | ERJ3GEYJ 224 V (220 kΩ)    |
| R655    | 7030003240 | S.RESISTOR   | ERJ3GEYJ 220 V (22 Ω)      |
| R701    | 7030003360 | S.RESISTOR   | ERJ3GEYJ 221 V (220 Ω)     |
| R702    | 7030003440 | S.RESISTOR   | ERJ3GEYJ 102 V (1 kΩ)      |
| R703    | 7030003440 | S.RESISTOR   | ERJ3GEYJ 102 V (1 kΩ)      |
| R704    | 7030003640 | S.RESISTOR   | ERJ3GEYJ 473 V (47 kΩ)     |
| R752    | 7030003590 | S.RESISTOR   | ERJ3GEYJ 183 V (18 kΩ)     |
| R753    | 7030003420 | S.RESISTOR   | ERJ3GEYJ 681 V (680 Ω)     |
| R754    | 7030004040 | S.RESISTOR   | ERJ3GEYJ 4R7 V (4.7 Ω)     |
| R755    | 7030003220 | S.RESISTOR   | ERJ3GEYJ 150 V (15 Ω)      |
| R756    | 7030003580 | S.RESISTOR   | ERJ3GEYJ 153 V (15 kΩ)     |
| R757    | 7030003360 | S.RESISTOR   | ERJ3GEYJ 221 V (220 Ω)     |
| R758    | 7030003440 | S.RESISTOR   | ERJ3GEYJ 102 V (1 kΩ)      |
| R759    | 7030003640 | S.RESISTOR   | ERJ3GEYJ 473 V (47 kΩ)     |
| R771    | 7030003370 | S.RESISTOR   | ERJ3GEYJ 271 V (270 Ω)     |
| R772    | 7030003230 | S.RESISTOR   | ERJ3GEYJ 180 V (18 Ω)      |
| R773    | 7030003370 | S.RESISTOR   | ERJ3GEYJ 271 V (270 Ω)     |
| R801    | 7030003440 | S.RESISTOR   | ERJ3GEYJ 102 V (1 kΩ)      |
| R802    | 7030003280 | S.RESISTOR   | ERJ3GEYJ 470 V (47 Ω)      |
| R811    | 7030003440 | S.RESISTOR   | ERJ3GEYJ 102 V (1 kΩ)      |
| R812    | 7030003280 | S.RESISTOR   | ERJ3GEYJ 470 V (47 Ω)      |
| R813    | 7030003320 | S.RESISTOR   | ERJ3GEYJ 101 V (100 Ω)     |
| R831    | 7030003440 | S.RESISTOR   | ERJ3GEYJ 102 V (1 kΩ)      |
| R832    | 7030003320 | S.RESISTOR   | ERJ3GEYJ 101 V (100 Ω)     |
| R833    | 7310002740 | S.TRIMMER    | RV-150 (RH03A3A14X0FC) 103 |
| R834    | 7510001460 | S.THERMISTOR | NTCG16 3NH 471KT           |
| R835    | 7030003340 | S.RESISTOR   | ERJ3GEYJ 151 V (150 Ω)     |
| R836    | 7030003470 | S.RESISTOR   | ERJ3GEYJ 182 V (1.8 kΩ)    |
| R837    | 7030003550 | S.RESISTOR   | ERJ3GEYJ 822 V (8.2 kΩ)    |
| R838    | 7030003440 | S.RESISTOR   | ERJ3GEYJ 102 V (1 kΩ)      |
| R839    | 7030003410 | S.RESISTOR   | ERJ3GEYJ 561 V (560 Ω)     |
| R840    | 7030003360 | S.RESISTOR   | ERJ3GEYJ 221 V (220 Ω)     |
| R841    | 7510001460 | S.THERMISTOR | NTCG16 3NH 471KT           |

Ⓢ: [EUR], [EUR-1], [ESP], [ESP-1], [OTH], [OTH-1]  
 ㉔: [ESP], [ESP-1], [KOR], [KOR-1], [ITA], [ITA-1]  
 ㉓: [FRA], [FRA-1], [ESP], [ESP-1], [OTH], [OTH-1], [ITA], [ITA-1]

S.=Surface mount

[MAIN UNIT]

| REF NO. | ORDER NO.  | DESCRIPTION  |                            |
|---------|------------|--------------|----------------------------|
| R842    | 7030003440 | S.RESISTOR   | ERJ3GEYJ 102 V (1 kΩ)      |
| R843    | 7030003440 | S.RESISTOR   | ERJ3GEYJ 102 V (1 kΩ)      |
| R844    | 7510001540 | S.THERMISTOR | NTCG16 4BH 332KT           |
| R851    | 7030003440 | S.RESISTOR   | ERJ3GEYJ 102 V (1 kΩ)      |
| R852    | 7030003440 | S.RESISTOR   | ERJ3GEYJ 102 V (1 kΩ)      |
| R861    | 7030003370 | S.RESISTOR   | ERJ3GEYJ 271 V (270 Ω)     |
| R862    | 7030003230 | S.RESISTOR   | ERJ3GEYJ 180 V (18 Ω)      |
| R863    | 7030003370 | S.RESISTOR   | ERJ3GEYJ 271 V (270 Ω)     |
| R881    | 7030003440 | S.RESISTOR   | ERJ3GEYJ 102 V (1 kΩ)      |
| R882    | 7030003530 | S.RESISTOR   | ERJ3GEYJ 562 V (5.6 kΩ)    |
| R883    | 7030003470 | S.RESISTOR   | ERJ3GEYJ 182 V (1.8 kΩ)    |
| R884    | 7030003800 | S.RESISTOR   | ERJ3GEYJ 105 V (1 MΩ)      |
| R885    | 7030003340 | S.RESISTOR   | ERJ3GEYJ 151 V (150 Ω)     |
| R886    | 7030003520 | S.RESISTOR   | ERJ3GEYJ 472 V (4.7 kΩ)    |
| R887    | 7030003320 | S.RESISTOR   | ERJ3GEYJ 101 V (100 Ω)     |
| R888    | 7030003440 | S.RESISTOR   | ERJ3GEYJ 102 V (1 kΩ)      |
| R889    | 7030003500 | S.RESISTOR   | ERJ3GEYJ 332 V (3.3 kΩ)    |
| R901    | 7030003440 | S.RESISTOR   | ERJ3GEYJ 102 V (1 kΩ)      |
| R902    | 7030003280 | S.RESISTOR   | ERJ3GEYJ 470 V (47 Ω)      |
| R1000   | 7030003440 | S.RESISTOR   | ERJ3GEYJ 102 V (1 kΩ)      |
| R1001   | 7030003640 | S.RESISTOR   | ERJ3GEYJ 473 V (47 kΩ)     |
| R1002   | 7030003560 | S.RESISTOR   | ERJ3GEYJ 103 V (10 kΩ)     |
| R1003   | 7030003540 | S.RESISTOR   | ERJ3GEYJ 682 V (6.8 kΩ)    |
| R1004   | 7030003320 | S.RESISTOR   | ERJ3GEYJ 101 V (100 Ω)     |
| R1005   | 7030003640 | S.RESISTOR   | ERJ3GEYJ 473 V (47 kΩ)     |
| R1006   | 7030003420 | S.RESISTOR   | ERJ3GEYJ 681 V (680 Ω)     |
| R1007   | 7030003450 | S.RESISTOR   | ERJ3GEYJ 122 V (1.2 kΩ)    |
| R1008   | 7030003380 | S.RESISTOR   | ERJ3GEYJ 331 V (330 Ω)     |
| R1009   | 7030003840 | S.RESISTOR   | ERJ3GEYJ 225 V (2.2 MΩ)    |
| R1010   | 7030003640 | S.RESISTOR   | ERJ3GEYJ 473 V (47 kΩ)     |
| R1011   | 7030003640 | S.RESISTOR   | ERJ3GEYJ 473 V (47 kΩ)     |
| R1012   | 7030003680 | S.RESISTOR   | ERJ3GEYJ 104 V (100 kΩ)    |
| R1013   | 7030003360 | S.RESISTOR   | ERJ3GEYJ 221 V (220 Ω)     |
| R1014   | 7030003440 | S.RESISTOR   | ERJ3GEYJ 102 V (1 kΩ)      |
| R1051   | 7030003500 | S.RESISTOR   | ERJ3GEYJ 332 V (3.3 kΩ)    |
| R1052   | 7030003320 | S.RESISTOR   | ERJ3GEYJ 101 V (100 Ω)     |
| R1053   | 7030003400 | S.RESISTOR   | ERJ3GEYJ 471 V (470 Ω)     |
| R1054   | 7030003600 | S.RESISTOR   | ERJ3GEYJ 223 V (22 kΩ)     |
| R1055   | 7030003320 | S.RESISTOR   | ERJ3GEYJ 101 V (100 Ω)     |
| R1056   | 7030003400 | S.RESISTOR   | ERJ3GEYJ 471 V (470 Ω)     |
| R1057   | 7030003600 | S.RESISTOR   | ERJ3GEYJ 223 V (22 kΩ)     |
| R1058   | 7030003320 | S.RESISTOR   | ERJ3GEYJ 101 V (100 Ω)     |
| R1059   | 7030003400 | S.RESISTOR   | ERJ3GEYJ 471 V (470 Ω)     |
| R1060   | 7030003640 | S.RESISTOR   | ERJ3GEYJ 473 V (47 kΩ)     |
| R1101   | 7030003320 | S.RESISTOR   | ERJ3GEYJ 101 V (100 Ω)     |
| R1102   | 7030003480 | S.RESISTOR   | ERJ3GEYJ 222 V (2.2 kΩ)    |
| R1103   | 7030003340 | S.RESISTOR   | ERJ3GEYJ 151 V (150 Ω)     |
| R1104   | 7030003400 | S.RESISTOR   | ERJ3GEYJ 471 V (470 Ω)     |
| R1105   | 7030003740 | S.RESISTOR   | ERJ3GEYJ 334 V (330 kΩ)    |
| R1106   | 7030003680 | S.RESISTOR   | ERJ3GEYJ 104 V (100 kΩ)    |
| R1107   | 7030003680 | S.RESISTOR   | ERJ3GEYJ 104 V (100 kΩ)    |
| R1108   | 7030003560 | S.RESISTOR   | ERJ3GEYJ 103 V (10 kΩ)     |
| R1201   | 7030003560 | S.RESISTOR   | ERJ3GEYJ 103 V (10 kΩ)     |
| R1202   | 7510001540 | S.THERMISTOR | NTCG16 4BH 332KT           |
| R1203   | 7310002720 | S.TRIMMER    | RV-148 (RH03A3AS3X0DA) 472 |
| R1204   | 7030003480 | S.RESISTOR   | ERJ3GEYJ 222 V (2.2 kΩ)    |
| R1205   | 7030003320 | S.RESISTOR   | ERJ3GEYJ 101 V (100 Ω)     |
| R1206   | 7030003320 | S.RESISTOR   | ERJ3GEYJ 101 V (100 Ω)     |
| R1251   | 7030003680 | S.RESISTOR   | ERJ3GEYJ 104 V (100 kΩ)    |
| R1252   | 7030003680 | S.RESISTOR   | ERJ3GEYJ 104 V (100 kΩ)    |
| R1253   | 7030003320 | S.RESISTOR   | ERJ3GEYJ 101 V (100 Ω)     |
| R1254   | 7030003440 | S.RESISTOR   | ERJ3GEYJ 102 V (1 kΩ)      |
| R1301   | 7030003560 | S.RESISTOR   | ERJ3GEYJ 103 V (10 kΩ)     |
| R1306   | 7030003560 | S.RESISTOR   | ERJ3GEYJ 103 V (10 kΩ)     |
| R1311   | 7030003440 | S.RESISTOR   | ERJ3GEYJ 102 V (1 kΩ)      |
| R1312   | 7030003440 | S.RESISTOR   | ERJ3GEYJ 102 V (1 kΩ)      |
| R1313   | 7030003440 | S.RESISTOR   | ERJ3GEYJ 102 V (1 kΩ)      |
| R1314   | 7030003440 | S.RESISTOR   | ERJ3GEYJ 102 V (1 kΩ)      |
| R1315   | 7030003640 | S.RESISTOR   | ERJ3GEYJ 473 V (47 kΩ)     |
| R1316   | 7030003640 | S.RESISTOR   | ERJ3GEYJ 473 V (47 kΩ)     |
| R1317   | 7030003640 | S.RESISTOR   | ERJ3GEYJ 473 V (47 kΩ)     |
| R1318   | 7030003640 | S.RESISTOR   | ERJ3GEYJ 473 V (47 kΩ)     |
| R1321   | 7030003560 | S.RESISTOR   | ERJ3GEYJ 103 V (10 kΩ)     |
| R1322   | 7030003640 | S.RESISTOR   | ERJ3GEYJ 473 V (47 kΩ)     |
| R1323   | 7030003320 | S.RESISTOR   | ERJ3GEYJ 101 V (100 Ω)     |
| R1324   | 7030003560 | S.RESISTOR   | ERJ3GEYJ 103 V (10 kΩ)     |
| R1341   | 7030003560 | S.RESISTOR   | ERJ3GEYJ 103 V (10 kΩ)     |
| R1342   | 7030003640 | S.RESISTOR   | ERJ3GEYJ 473 V (47 kΩ)     |

Ⓐ: [EUR], [EUR-1], [USA], [USA-1], [KOR], [KOR-1]  
 ㉔: [FRA], [FRA-1], [ITA], [ITA-1]  
 ㉓: [FRA], [FRA-1], [ESP], [ESP-1], [KOR], [KOR-1], [ITA], [ITA-1]

[MAIN UNIT]

| REF NO. | ORDER NO.  | DESCRIPTION |                         |
|---------|------------|-------------|-------------------------|
| R1343   | 7030003320 | S.RESISTOR  | ERJ3GEYJ 101 V (100 Ω)  |
| R1344   | 7030003560 | S.RESISTOR  | ERJ3GEYJ 103 V (10 kΩ)  |
| R1361   | 7030003500 | S.RESISTOR  | ERJ3GEYJ 332 V (3.3 kΩ) |
| R1362   | 7030003640 | S.RESISTOR  | ERJ3GEYJ 473 V (47 kΩ)  |
| R1363   | 7030003320 | S.RESISTOR  | ERJ3GEYJ 101 V (100 Ω)  |
| R1364   | 7030003500 | S.RESISTOR  | ERJ3GEYJ 332 V (3.3 kΩ) |
| R1381   | 7030003560 | S.RESISTOR  | ERJ3GEYJ 103 V (10 kΩ)  |
| R1382   | 7030003640 | S.RESISTOR  | ERJ3GEYJ 473 V (47 kΩ)  |
| R1383   | 7030003320 | S.RESISTOR  | ERJ3GEYJ 101 V (100 Ω)  |
| R1384   | 7030003560 | S.RESISTOR  | ERJ3GEYJ 103 V (10 kΩ)  |
| R1385   | 7030003440 | S.RESISTOR  | ERJ3GEYJ 102 V (1 kΩ)   |
| R1400   | 7030003530 | S.RESISTOR  | ERJ3GEYJ 562 V (5.6 kΩ) |
| R1401   | 7030003560 | S.RESISTOR  | ERJ3GEYJ 103 V (10 kΩ)  |
| R1402   | 7030003530 | S.RESISTOR  | ERJ3GEYJ 562 V (5.6 kΩ) |
| R1403   | 7030003560 | S.RESISTOR  | ERJ3GEYJ 103 V (10 kΩ)  |
| R1405   | 7030003340 | S.RESISTOR  | ERJ3GEYJ 151 V (150 Ω)  |
| R1406   | 7030003440 | S.RESISTOR  | ERJ3GEYJ 102 V (1 kΩ)   |
| R1407   | 7030003760 | S.RESISTOR  | ERJ3GEYJ 474 V (470 kΩ) |
| R1408   | 7030003760 | S.RESISTOR  | ERJ3GEYJ 474 V (470 kΩ) |
| R1409   | 7030003630 | S.RESISTOR  | ERJ3GEYJ 393 V (39 kΩ)  |
| R1410   | 7030003560 | S.RESISTOR  | ERJ3GEYJ 103 V (10 kΩ)  |
| R1411   | 7030003560 | S.RESISTOR  | ERJ3GEYJ 103 V (10 kΩ)  |
| R1412   | 7030003560 | S.RESISTOR  | ERJ3GEYJ 103 V (10 kΩ)  |
| R1413   | 7030003560 | S.RESISTOR  | ERJ3GEYJ 103 V (10 kΩ)  |
| R1415   | 7030003640 | S.RESISTOR  | ERJ3GEYJ 473 V (47 kΩ)  |
| R1416   | 7030003670 | S.RESISTOR  | ERJ3GEYJ 823 V (82 kΩ)  |
| R1417   | 7030003520 | S.RESISTOR  | ERJ3GEYJ 472 V (4.7 kΩ) |
| R1418   | 7030003400 | S.RESISTOR  | ERJ3GEYJ 471 V (470 Ω)  |
| R1419   | 7030003560 | S.RESISTOR  | ERJ3GEYJ 103 V (10 kΩ)  |
| R1420   | 7030003640 | S.RESISTOR  | ERJ3GEYJ 473 V (47 kΩ)  |
| R1422   | 7030003560 | S.RESISTOR  | ERJ3GEYJ 103 V (10 kΩ)  |
| R1501   | 7030003680 | S.RESISTOR  | ERJ3GEYJ 104 V (100 kΩ) |
| R1601   | 7030003440 | S.RESISTOR  | ERJ3GEYJ 102 V (1 kΩ)   |
| R1602   | 7030003360 | S.RESISTOR  | ERJ3GEYJ 221 V (220 Ω)  |
| R1606   | 7030003640 | S.RESISTOR  | ERJ3GEYJ 473 V (47 kΩ)  |
| R1607   | 7030003440 | S.RESISTOR  | ERJ3GEYJ 102 V (1 kΩ)   |
| R1609   | 7030003540 | S.RESISTOR  | ERJ3GEYJ 682 V (6.8 kΩ) |
| R1610   | 7030003520 | S.RESISTOR  | ERJ3GEYJ 472 V (4.7 kΩ) |
| R1611   | 7030003640 | S.RESISTOR  | ERJ3GEYJ 473 V (47 kΩ)  |
| R1621   | 7030003560 | S.RESISTOR  | ERJ3GEYJ 103 V (10 kΩ)  |
| R1622   | 7030003540 | S.RESISTOR  | ERJ3GEYJ 682 V (6.8 kΩ) |
| R1623   | 7030003680 | S.RESISTOR  | ERJ3GEYJ 104 V (100 kΩ) |
| R1624   | 7030003560 | S.RESISTOR  | ERJ3GEYJ 103 V (10 kΩ)  |
| R1625   | 7030003580 | S.RESISTOR  | ERJ3GEYJ 153 V (15 kΩ)  |
| R1641   | 7030003560 | S.RESISTOR  | ERJ3GEYJ 103 V (10 kΩ)  |
| R1642   | 7030003290 | S.RESISTOR  | ERJ3GEYJ 560 V (56 Ω)   |
| R1643   | 7030003560 | S.RESISTOR  | ERJ3GEYJ 103 V (10 kΩ)  |
| R1644   | 7030003680 | S.RESISTOR  | ERJ3GEYJ 104 V (100 kΩ) |
| R1645   | 7030003680 | S.RESISTOR  | ERJ3GEYJ 104 V (100 kΩ) |
| R1646   | 7030003700 | S.RESISTOR  | ERJ3GEYJ 154 V (150 kΩ) |
| R1647   | 7030003680 | S.RESISTOR  | ERJ3GEYJ 104 V (100 kΩ) |
| R1648   | 7030003680 | S.RESISTOR  | ERJ3GEYJ 104 V (100 kΩ) |
| R1649   | 7030003680 | S.RESISTOR  | ERJ3GEYJ 104 V (100 kΩ) |
| R1650   | 7030003680 | S.RESISTOR  | ERJ3GEYJ 104 V (100 kΩ) |
| R1661   | 7030003560 | S.RESISTOR  | ERJ3GEYJ 103 V (10 kΩ)  |
| R1662   | 7030003520 | S.RESISTOR  | ERJ3GEYJ 472 V (4.7 kΩ) |
| R1663   | 7030003760 | S.RESISTOR  | ERJ3GEYJ 474 V (470 kΩ) |
| R1664   | 7030003540 | S.RESISTOR  | ERJ3GEYJ 682 V (6.8 kΩ) |
| R1665   | 7030003560 | S.RESISTOR  | ERJ3GEYJ 103 V (10 kΩ)  |
| R1666   | 7030003680 | S.RESISTOR  | ERJ3GEYJ 104 V (100 kΩ) |
| R1667   | 7030003680 | S.RESISTOR  | ERJ3GEYJ 104 V (100 kΩ) |
| R1668   | 7030003640 | S.RESISTOR  | ERJ3GEYJ 473 V (47 kΩ)  |
| R1683   | 7030003480 | S.RESISTOR  | ERJ3GEYJ 222 V (2.2 kΩ) |
| R1684   | 7030003560 | S.RESISTOR  | ERJ3GEYJ 103 V (10 kΩ)  |
| R1686   | 7030003680 | S.RESISTOR  | ERJ3GEYJ 104 V (100 kΩ) |
| R1701   | 7030003760 | S.RESISTOR  | ERJ3GEYJ 474 V (470 kΩ) |
| R1702   | 7030003760 | S.RESISTOR  | ERJ3GEYJ 474 V (470 kΩ) |
| R1703   | 7030003760 | S.RESISTOR  | ERJ3GEYJ 474 V (470 kΩ) |
| R1704   | 7030003760 | S.RESISTOR  | ERJ3GEYJ 474 V (470 kΩ) |
| R1705   | 7030003760 | S.RESISTOR  | ERJ3GEYJ 474 V (470 kΩ) |
| R1706   | 7030003640 | S.RESISTOR  | ERJ3GEYJ 473 V (47 kΩ)  |
| R1707   | 7030003640 | S.RESISTOR  | ERJ3GEYJ 473 V (47 kΩ)  |
| R1708   | 7030003520 | S.RESISTOR  | ERJ3GEYJ 472 V (4.7 kΩ) |
| R1709   | 7030003640 | S.RESISTOR  | ERJ3GEYJ 473 V (47 kΩ)  |
| R1721   | 7030003680 | S.RESISTOR  | ERJ3GEYJ 104 V (100 kΩ) |
| R1722   | 7030003360 | S.RESISTOR  | ERJ3GEYJ 221 V (220 Ω)  |
| R1723   | 7030003440 | S.RESISTOR  | ERJ3GEYJ 102 V (1 kΩ)   |
| R1724   | 7030003460 | S.RESISTOR  | ERJ3GEYJ 152 V (1.5 kΩ) |

Ⓑ: [EUR], [EUR-1], [ESP], [ESP-1], [OTH], [OTH-1]  
 ㉒: [ESP], [ESP-1], [KOR], [KOR-1], [ITA], [ITA-1]  
 ㉔: [FRA], [FRA-1], [ESP], [ESP-1], [OTH], [OTH-1], [ITA], [ITA-1]

S.=Surface mount

[MAIN UNIT]

| REF NO. | ORDER NO.  | DESCRIPTION |                            |
|---------|------------|-------------|----------------------------|
| R1725   | 7030003430 | S.RESISTOR  | ERJ3GEYJ 821 V (820 Ω)     |
| R1751   | 7030003480 | S.RESISTOR  | ERJ3GEYJ 222 V (2.2 kΩ)    |
| R1801   | 7030003440 | S.RESISTOR  | ERJ3GEYJ 102 V (1 kΩ)      |
| R1802   | 7030003520 | S.RESISTOR  | ERJ3GEYJ 472 V (4.7 kΩ)    |
| R1803   | 7310004850 | S.TRIMMER   | EVM-3YSX50 B52 (501)       |
| R1804   | 7030003520 | S.RESISTOR  | ERJ3GEYJ 472 V (4.7 kΩ)    |
| R1805   | 7030003320 | S.RESISTOR  | ERJ3GEYJ 101 V (100 Ω)     |
| R1806   | 7030003480 | S.RESISTOR  | ERJ3GEYJ 222 V (2.2 kΩ)    |
| R1807   | 7310002670 | S.TRIMMER   | RV-143 (RH03A3AS2) 471     |
| R1808   | 7030003480 | S.RESISTOR  | ERJ3GEYJ 222 V (2.2 kΩ)    |
| R1809   | 7030003480 | S.RESISTOR  | ERJ3GEYJ 222 V (2.2 kΩ)    |
| R1810   | 7030003560 | S.RESISTOR  | ERJ3GEYJ 103 V (10 kΩ)     |
| R1811   | 7310002800 | S.TRIMMER   | RV-156 (RH03A3AJ5) 224     |
| R1812   | 7510001660 | S.THRMISTOR | NTCG16 4LH 473KT           |
| R1815   | 7030003440 | S.RESISTOR  | ERJ3GEYJ 102 V (1 kΩ)      |
| R1816   | 7030003640 | S.RESISTOR  | ERJ3GEYJ 473 V (47 kΩ)     |
| R1817   | 7030003680 | S.RESISTOR  | ERJ3GEYJ 104 V (100 kΩ)    |
| R1818   | 7030003400 | S.RESISTOR  | ERJ3GEYJ 471 V (470 Ω)     |
| R1819   | 7030003420 | S.RESISTOR  | ERJ3GEYJ 681 V (680 Ω)     |
| R1820   | 7030003320 | S.RESISTOR  | ERJ3GEYJ 101 V (100 Ω)     |
| R1851   | 7030003540 | S.RESISTOR  | ERJ3GEYJ 682 V (6.8 kΩ)    |
| R1853   | 7310002720 | S.TRIMMER   | RV-148 (RH03A3AS3X0DA) 472 |
| R1854   | 7030003440 | S.RESISTOR  | ERJ3GEYJ 102 V (1 kΩ)      |
| R1855   | 7030003720 | S.RESISTOR  | ERJ3GEYJ 224 V (220 kΩ)    |
| R1856   | 7030003440 | S.RESISTOR  | ERJ3GEYJ 102 V (1 kΩ)      |
| R1857   | 7030003640 | S.RESISTOR  | ERJ3GEYJ 473 V (47 kΩ)     |
| R1858   | 7030003440 | S.RESISTOR  | ERJ3GEYJ 102 V (1 kΩ)      |
| R1859   | 7030003640 | S.RESISTOR  | ERJ3GEYJ 473 V (47 kΩ)     |
| R1860   | 7030003440 | S.RESISTOR  | ERJ3GEYJ 102 V (1 kΩ)      |
| R1861   | 7030003640 | S.RESISTOR  | ERJ3GEYJ 473 V (47 kΩ)     |
| R1862   | 7030003540 | S.RESISTOR  | ERJ3GEYJ 682 V (6.8 kΩ)    |
| R1901   | 7030003320 | S.RESISTOR  | ERJ3GEYJ 101 V (100 Ω)     |
| R1902   | 7030003320 | S.RESISTOR  | ERJ3GEYJ 101 V (100 Ω)     |
| R1903   | 7030003610 | S.RESISTOR  | ERJ3GEYJ 273 V (27 kΩ)     |
| R2001   | 7030003440 | S.RESISTOR  | ERJ3GEYJ 102 V (1 kΩ)      |
| R2002   | 7030003680 | S.RESISTOR  | ERJ3GEYJ 104 V (100 kΩ)    |
| R2003   | 7030003650 | S.RESISTOR  | ERJ3GEYJ 563 V (56 kΩ)     |
| R2004   | 7030003280 | S.RESISTOR  | ERJ3GEYJ 470 V (47 Ω)      |
| R2005   | 7030003440 | S.RESISTOR  | ERJ3GEYJ 102 V (1 kΩ)      |
| R2006   | 7030003640 | S.RESISTOR  | ERJ3GEYJ 473 V (47 kΩ)     |
| R2007   | 7030003560 | S.RESISTOR  | ERJ3GEYJ 103 V (10 kΩ)     |
| R2101   | 7030003700 | S.RESISTOR  | ERJ3GEYJ 154 V (150 kΩ)    |
| R2102   | 7030003580 | S.RESISTOR  | ERJ3GEYJ 153 V (15 kΩ)     |
| R2103   | 7030003740 | S.RESISTOR  | ERJ3GEYJ 334 V (330 kΩ)    |
| R2104   | 7030003500 | S.RESISTOR  | ERJ3GEYJ 332 V (3.3 kΩ)    |
| R2105   | 7030003440 | S.RESISTOR  | ERJ3GEYJ 102 V (1 kΩ)      |
| R2106   | 7030003640 | S.RESISTOR  | ERJ3GEYJ 473 V (47 kΩ)     |
| R2107   | 7030003500 | S.RESISTOR  | ERJ3GEYJ 332 V (3.3 kΩ)    |
| R2108   | 7030003640 | S.RESISTOR  | ERJ3GEYJ 473 V (47 kΩ)     |
| R2109   | 7030003440 | S.RESISTOR  | ERJ3GEYJ 102 V (1 kΩ)      |
| R2151   | 7030003560 | S.RESISTOR  | ERJ3GEYJ 103 V (10 kΩ)     |
| R2152   | 7030003630 | S.RESISTOR  | ERJ3GEYJ 393 V (39 kΩ)     |
| R2153   | 7030003700 | S.RESISTOR  | ERJ3GEYJ 154 V (150 kΩ)    |
| R2154   | 7030003700 | S.RESISTOR  | ERJ3GEYJ 154 V (150 kΩ)    |
| R2155   | 7030003560 | S.RESISTOR  | ERJ3GEYJ 103 V (10 kΩ)     |
| R2201   | 7030003580 | S.RESISTOR  | ERJ3GEYJ 153 V (15 kΩ)     |
| R2202   | 7030003590 | S.RESISTOR  | ERJ3GEYJ 183 V (18 kΩ)     |
| R2203   | 7030003680 | S.RESISTOR  | ERJ3GEYJ 104 V (100 kΩ)    |
| R2204   | 7030003680 | S.RESISTOR  | ERJ3GEYJ 104 V (100 kΩ)    |
| R2205   | 7030003680 | S.RESISTOR  | ERJ3GEYJ 104 V (100 kΩ)    |
| R2206   | 7030003720 | S.RESISTOR  | ERJ3GEYJ 224 V (220 kΩ)    |
| R2207   | 7030003440 | S.RESISTOR  | ERJ3GEYJ 102 V (1 kΩ)      |
| R2208   | 7030003440 | S.RESISTOR  | ERJ3GEYJ 102 V (1 kΩ)      |
| R2209   | 7030003440 | S.RESISTOR  | ERJ3GEYJ 102 V (1 kΩ)      |
| R2221   | 7030003680 | S.RESISTOR  | ERJ3GEYJ 104 V (100 kΩ)    |
| R2222   | 7030003680 | S.RESISTOR  | ERJ3GEYJ 104 V (100 kΩ)    |
| R2223   | 7030003700 | S.RESISTOR  | ERJ3GEYJ 154 V (150 kΩ)    |
| R2224   | 7030003680 | S.RESISTOR  | ERJ3GEYJ 104 V (100 kΩ)    |
| R2301   | 7030003560 | S.RESISTOR  | ERJ3GEYJ 103 V (10 kΩ)     |
| R2302   | 7030003560 | S.RESISTOR  | ERJ3GEYJ 103 V (10 kΩ)     |
| R2303   | 7030003580 | S.RESISTOR  | ERJ3GEYJ 153 V (15 kΩ)     |
| R2304   | 7030003640 | S.RESISTOR  | ERJ3GEYJ 473 V (47 kΩ)     |
| R2305   | 7030003760 | S.RESISTOR  | ERJ3GEYJ 474 V (470 kΩ)    |
| R2306   | 7030003610 | S.RESISTOR  | ERJ3GEYJ 273 V (27 kΩ)     |
| R2401   | 7030003560 | S.RESISTOR  | ERJ3GEYJ 103 V (10 kΩ)     |
| R2402   | 7030003560 | S.RESISTOR  | ERJ3GEYJ 103 V (10 kΩ)     |
| R2403   | 7030003640 | S.RESISTOR  | ERJ3GEYJ 473 V (47 kΩ)     |
| R2404   | 7030003680 | S.RESISTOR  | ERJ3GEYJ 104 V (100 kΩ)    |

- Ⓐ: [EUR], [EUR-1], [USA], [USA-1], [KOR], [KOR-1]
- Ⓒ: [FRA], [FRA-1], [ITA], [ITA-1]
- Ⓔ: [FRA], [FRA-1], [ESP], [ESP-1], [KOR], [KOR-1], [ITA], [ITA-1]

[MAIN UNIT]

| REF NO. | ORDER NO.  | DESCRIPTION |                            |
|---------|------------|-------------|----------------------------|
| R2452   | 7030003440 | S.RESISTOR  | ERJ3GEYJ 102 V (1 kΩ)      |
| R2453   | 7030003440 | S.RESISTOR  | ERJ3GEYJ 102 V (1 kΩ)      |
| R2454   | 7030003440 | S.RESISTOR  | ERJ3GEYJ 102 V (1 kΩ)      |
| R2455   | 7030003440 | S.RESISTOR  | ERJ3GEYJ 102 V (1 kΩ)      |
| R2456   | 7030003440 | S.RESISTOR  | ERJ3GEYJ 102 V (1 kΩ)      |
| R2457   | 7030003440 | S.RESISTOR  | ERJ3GEYJ 102 V (1 kΩ)      |
| R2458   | 7030003560 | S.RESISTOR  | ERJ3GEYJ 103 V (10 kΩ)     |
| R2459   | 7030003440 | S.RESISTOR  | ERJ3GEYJ 102 V (1 kΩ)      |
| R2460   | 7030003560 | S.RESISTOR  | ERJ3GEYJ 103 V (10 kΩ)     |
| R2461   | 7030003440 | S.RESISTOR  | ERJ3GEYJ 102 V (1 kΩ)      |
| R2462   | 7030003440 | S.RESISTOR  | ERJ3GEYJ 102 V (1 kΩ)      |
| R2501   | 7030003600 | S.RESISTOR  | ERJ3GEYJ 223 V (22 kΩ)     |
| R2502   | 7030003440 | S.RESISTOR  | ERJ3GEYJ 102 V (1 kΩ)      |
| R2503   | 7030003760 | S.RESISTOR  | ERJ3GEYJ 474 V (470 kΩ)    |
| R2504   | 7030003320 | S.RESISTOR  | ERJ3GEYJ 101 V (100 Ω)     |
| R2505   | 7030003320 | S.RESISTOR  | ERJ3GEYJ 101 V (100 Ω)     |
| R2506   | 7030003440 | S.RESISTOR  | ERJ3GEYJ 102 V (1 kΩ)      |
| R2507   | 7030003560 | S.RESISTOR  | ERJ3GEYJ 103 V (10 kΩ)     |
| R2508   | 7030003580 | S.RESISTOR  | ERJ3GEYJ 153 V (15 kΩ)     |
| R2509   | 7030003660 | S.RESISTOR  | ERJ3GEYJ 683 V (68 kΩ)     |
| R2511   | 7030003440 | S.RESISTOR  | ERJ3GEYJ 102 V (1 kΩ)      |
| R2512   | 7030003640 | S.RESISTOR  | ERJ3GEYJ 473 V (47 kΩ)     |
| R2513   | 7030003440 | S.RESISTOR  | ERJ3GEYJ 102 V (1 kΩ)      |
| R2514   | 7030003640 | S.RESISTOR  | ERJ3GEYJ 473 V (47 kΩ)     |
| R2551   | 7030003840 | S.RESISTOR  | ERJ3GEYJ 225 V (2.2 MΩ)    |
| R2553   | 7030003750 | S.RESISTOR  | ERJ3GEYJ 394 V (390 kΩ)    |
| R2554   | 7030003680 | S.RESISTOR  | ERJ3GEYJ 104 V (100 kΩ)    |
| R2555   | 7030003440 | S.RESISTOR  | ERJ3GEYJ 102 V (1 kΩ)      |
| R2559   | 7030009920 | S.RESISTOR  | ERJ3GEYJ 335 V (3.3 MΩ)    |
| R2601   | 7030003580 | S.RESISTOR  | ERJ3GEYJ 153 V (15 kΩ)     |
| R2602   | 7030003590 | S.RESISTOR  | ERJ3GEYJ 183 V (18 kΩ)     |
| R2603   | 7030003640 | S.RESISTOR  | ERJ3GEYJ 473 V (47 kΩ)     |
| R2604   | 7030003680 | S.RESISTOR  | ERJ3GEYJ 104 V (100 kΩ)    |
| R2606   | 7030003370 | S.RESISTOR  | ERJ3GEYJ 271 V (270 Ω)     |
| R2607   | 7030003700 | S.RESISTOR  | ERJ3GEYJ 154 V (150 kΩ)    |
| R2608   | 7030003700 | S.RESISTOR  | ERJ3GEYJ 154 V (150 kΩ)    |
| R2609   | 7030003720 | S.RESISTOR  | ERJ3GEYJ 224 V (220 kΩ)    |
| R2610   | 7030003730 | S.RESISTOR  | ERJ3GEYJ 274 V (270 kΩ)    |
| R2611   | 7030003700 | S.RESISTOR  | ERJ3GEYJ 154 V (150 kΩ)    |
| R2612   | 7030003750 | S.RESISTOR  | ERJ3GEYJ 394 V (390 kΩ)    |
| R2613   | 7030003670 | S.RESISTOR  | ERJ3GEYJ 823 V (82 kΩ)     |
| R2614   | 7030003670 | S.RESISTOR  | ERJ3GEYJ 823 V (82 kΩ)     |
| R2615   | 7030003450 | S.RESISTOR  | ERJ3GEYJ 122 V (1.2 kΩ)    |
| R2616   | 7030003440 | S.RESISTOR  | ERJ3GEYJ 102 V (1 kΩ)      |
| R2617   | 7030003560 | S.RESISTOR  | ERJ3GEYJ 103 V (10 kΩ)     |
| R2618   | 7310002590 | S.TRIMMER   | RV-109 (RH03A3AJ3X0BA) 222 |
| R2619   | 7030003410 | S.RESISTOR  | ERJ3GEYJ 561 V (560 Ω)     |
| R2620   | 7030003600 | S.RESISTOR  | ERJ3GEYJ 223 V (22 kΩ)     |
| R2621   | 7310002720 | S.TRIMMER   | RV-148 (RH03A3AS3X0DA) 472 |
| R2622   | 7030003610 | S.RESISTOR  | ERJ3GEYJ 273 V (27 kΩ)     |
| R2623   | 7030003440 | S.RESISTOR  | ERJ3GEYJ 102 V (1 kΩ)      |
| R2624   | 7030003640 | S.RESISTOR  | ERJ3GEYJ 473 V (47 kΩ)     |
| R2625   | 7030003500 | S.RESISTOR  | ERJ3GEYJ 332 V (3.3 kΩ)    |
| R2626   | 7510001660 | S.THRMISTOR | NTCG16 4LH 473KT           |
| R2651   | 7030003680 | S.RESISTOR  | ERJ3GEYJ 104 V (100 kΩ)    |
| R2652   | 7030003680 | S.RESISTOR  | ERJ3GEYJ 104 V (100 kΩ)    |
| R2702   | 7030003560 | S.RESISTOR  | ERJ3GEYJ 103 V (10 kΩ)     |
| R2704   | 7030003650 | S.RESISTOR  | ERJ3GEYJ 563 V (56 kΩ)     |
| R2705   | 7310002800 | S.TRIMMER   | RV-156 (RH03A3AJ5) 224     |
| R2706   | 7310002800 | S.TRIMMER   | RV-156 (RH03A3AJ5) 224     |
| R2707   | 7310002800 | S.TRIMMER   | RV-156 (RH03A3AJ5) 224     |
| R2708   | 7030003720 | S.RESISTOR  | ERJ3GEYJ 224 V (220 kΩ)    |
| R2709   | 7030003640 | S.RESISTOR  | ERJ3GEYJ 473 V (47 kΩ)     |
| R2710   | 7030003680 | S.RESISTOR  | ERJ3GEYJ 104 V (100 kΩ)    |
| R2711   | 7030003800 | S.RESISTOR  | ERJ3GEYJ 105 V (10 MΩ)     |
| R2712   | 7030003840 | S.RESISTOR  | ERJ3GEYJ 225 V (2.2 MΩ)    |
| R2713   | 7030003380 | S.RESISTOR  | ERJ3GEYJ 331 V (330 Ω)     |
| R2714   | 7030003400 | S.RESISTOR  | ERJ3GEYJ 471 V (470 Ω)     |
| R2721   | 7030003600 | S.RESISTOR  | ERJ3GEYJ 223 V (22 kΩ)     |
| R2722   | 7030003560 | S.RESISTOR  | ERJ3GEYJ 103 V (10 kΩ)     |
| R2723   | 7030003440 | S.RESISTOR  | ERJ3GEYJ 102 V (1 kΩ)      |
| R2724   | 7030003640 | S.RESISTOR  | ERJ3GEYJ 473 V (47 kΩ)     |
| R2725   | 7030003440 | S.RESISTOR  | ERJ3GEYJ 102 V (1 kΩ)      |
| R2726   | 7030003640 | S.RESISTOR  | ERJ3GEYJ 473 V (47 kΩ)     |
| R2727   | 7030003440 | S.RESISTOR  | ERJ3GEYJ 102 V (1 kΩ)      |
| R2728   | 7030003640 | S.RESISTOR  | ERJ3GEYJ 473 V (47 kΩ)     |
| R2729   | 7030003680 | S.RESISTOR  | ERJ3GEYJ 104 V (100 kΩ)    |
| R2741   | 7030003680 | S.RESISTOR  | ERJ3GEYJ 104 V (100 kΩ)    |

- Ⓑ: [EUR], [EUR-1], [ESP], [ESP-1], [OTH], [OTH-1]
- Ⓓ: [ESP], [ESP-1], [KOR], [KOR-1], [ITA], [ITA-1]
- Ⓔ: [FRA], [FRA-1], [ESP], [ESP-1], [OTH], [OTH-1], [ITA], [ITA-1]

S.=Surface mount

[MAIN UNIT]

| REF NO. | ORDER NO.  | DESCRIPTION                          |
|---------|------------|--------------------------------------|
| R2742   | 7030003560 | S.RESISTOR ERJ3GEYJ 103 V (10 kΩ)    |
| R2743   | 7030003680 | S.RESISTOR ERJ3GEYJ 104 V (100 kΩ)   |
| R2744   | 7030003800 | S.RESISTOR ERJ3GEYJ 105 V (1 MΩ)     |
| R2745   | 7030003400 | S.RESISTOR ERJ3GEYJ 471 V (470 Ω)    |
| R2761   | 7030003400 | S.RESISTOR ERJ3GEYJ 471 V (470 Ω)    |
| R2762   | 7030003840 | S.RESISTOR ERJ3GEYJ 225 V (2.2 MΩ)   |
| R2764   | 7030003620 | S.RESISTOR ERJ3GEYJ 333 V (33 kΩ)    |
| R2765   | 7310002740 | S.TRIMMER RV-150 (RH03A3A14X0FC) 103 |
| R2766   | 7030003620 | S.RESISTOR ERJ3GEYJ 333 V (33 kΩ)    |
| R2767   | 7030003640 | S.RESISTOR ERJ3GEYJ 473 V (47 kΩ)    |
| R2768   | 7030003640 | S.RESISTOR ERJ3GEYJ 473 V (47 kΩ)    |
| R2781   | 7030003840 | S.RESISTOR ERJ3GEYJ 225 V (2.2 MΩ)   |
| R2783   | 7030003560 | S.RESISTOR ERJ3GEYJ 103 V (10 kΩ)    |
| R2786   | 7030003440 | S.RESISTOR ERJ3GEYJ 102 V (1 kΩ)     |
| R2787   | 7030003560 | S.RESISTOR ERJ3GEYJ 103 V (10 kΩ)    |
| R2788   | 7030003680 | S.RESISTOR ERJ3GEYJ 104 V (100 kΩ)   |
| R2789   | 7030003400 | S.RESISTOR ERJ3GEYJ 471 V (470 Ω)    |
| R4001   | 7030003580 | S.RESISTOR ERJ3GEYJ 153 V (15 kΩ)    |
| R4002   | 7030003550 | S.RESISTOR ERJ3GEYJ 822 V (8.2 kΩ)   |
| R4003   | 7030003640 | S.RESISTOR ERJ3GEYJ 473 V (47 kΩ)    |
| R4004   | 7030003570 | S.RESISTOR ERJ3GEYJ 123 V (12 kΩ)    |
| R4005   | 7030003680 | S.RESISTOR ERJ3GEYJ 104 V (100 kΩ)   |
| R4006   | 7030003680 | S.RESISTOR ERJ3GEYJ 104 V (100 kΩ)   |
| R5101   | 7030003440 | S.RESISTOR ERJ3GEYJ 102 V (1 kΩ)     |
| R5102   | 7030003640 | S.RESISTOR ERJ3GEYJ 473 V (47 kΩ)    |
| R5103   | 7030003440 | S.RESISTOR ERJ3GEYJ 102 V (1 kΩ)     |
| R5104   | 7030003640 | S.RESISTOR ERJ3GEYJ 473 V (47 kΩ)    |
| R5105   | 7030003440 | S.RESISTOR ERJ3GEYJ 102 V (1 kΩ)     |
| R5106   | 7030003640 | S.RESISTOR ERJ3GEYJ 473 V (47 kΩ)    |
| R5201   | 7030003440 | S.RESISTOR ERJ3GEYJ 102 V (1 kΩ)     |
| R5202   | 7030003640 | S.RESISTOR ERJ3GEYJ 473 V (47 kΩ)    |
| R5203   | 7030003440 | S.RESISTOR ERJ3GEYJ 102 V (1 kΩ)     |
| R5204   | 7030003640 | S.RESISTOR ERJ3GEYJ 473 V (47 kΩ)    |
| R5301   | 7030003440 | S.RESISTOR ERJ3GEYJ 102 V (1 kΩ)     |
| R5303   | 7030003440 | S.RESISTOR ERJ3GEYJ 102 V (1 kΩ)     |
| R5304   | 7030003640 | S.RESISTOR ERJ3GEYJ 473 V (47 kΩ)    |
| R5305   | 7030003440 | S.RESISTOR ERJ3GEYJ 102 V (1 kΩ)     |
| R5306   | 7030003640 | S.RESISTOR ERJ3GEYJ 473 V (47 kΩ)    |
| R5307   | 7030003440 | S.RESISTOR ERJ3GEYJ 102 V (1 kΩ)     |
| R5308   | 7030003640 | S.RESISTOR ERJ3GEYJ 473 V (47 kΩ)    |
| R5401   | 7030003770 | S.RESISTOR ERJ3GEYJ 564 V (560 kΩ)   |
| R5402   | 7030003790 | S.RESISTOR ERJ3GEYJ 824 V (820 kΩ)   |
| R5403   | 7030003640 | S.RESISTOR ERJ3GEYJ 473 V (47 kΩ)    |
| R5405   | 7030003640 | S.RESISTOR ERJ3GEYJ 473 V (47 kΩ)    |
| R5406   | 7030003670 | S.RESISTOR ERJ3GEYJ 823 V (82 kΩ)    |
| R5501   | 7030003440 | S.RESISTOR ERJ3GEYJ 102 V (1 kΩ)     |
| R5502   | 7030003440 | S.RESISTOR ERJ3GEYJ 102 V (1 kΩ)     |
| R5503   | 7030003440 | S.RESISTOR ERJ3GEYJ 102 V (1 kΩ)     |
| R5504   | 7030003440 | S.RESISTOR ERJ3GEYJ 102 V (1 kΩ)     |
| R5505   | 7030003440 | S.RESISTOR ERJ3GEYJ 102 V (1 kΩ)     |
| R5506   | 7030006101 | S.RESISTOR ERA3YED 183V              |
| R5507   | 7030006571 | S.RESISTOR ERA3YED 392V              |
| R5508   | 7030003320 | S.RESISTOR ERJ3GEYJ 101 V (100 Ω)    |
| R5509   | 7030003600 | S.RESISTOR ERJ3GEYJ 223 V (22 kΩ)    |
| R5510   | 7030003640 | S.RESISTOR ERJ3GEYJ 473 V (47 kΩ)    |
| R5511   | 7030003600 | S.RESISTOR ERJ3GEYJ 223 V (22 kΩ)    |
| R5512   | 7030003600 | S.RESISTOR ERJ3GEYJ 223 V (22 kΩ)    |
| R5513   | 7030003410 | S.RESISTOR ERJ3GEYJ 561 V (560 Ω)    |
| R5514   | 7030003640 | S.RESISTOR ERJ3GEYJ 473 V (47 kΩ)    |
| R5600   | 7030003560 | S.RESISTOR ERJ3GEYJ 103 V (10 kΩ)    |
| R5601   | 7030003440 | S.RESISTOR ERJ3GEYJ 102 V (1 kΩ)     |
| R5602   | 7030003440 | S.RESISTOR ERJ3GEYJ 102 V (1 kΩ)     |
| R5603   | 7030003440 | S.RESISTOR ERJ3GEYJ 102 V (1 kΩ)     |
| R5604   | 7030003440 | S.RESISTOR ERJ3GEYJ 102 V (1 kΩ)     |
| R5605   | 7030003640 | S.RESISTOR ERJ3GEYJ 473 V (47 kΩ)    |
| R5606   | 7030003680 | S.RESISTOR ERJ3GEYJ 104 V (100 kΩ)   |
| R5607   | 7030003680 | S.RESISTOR ERJ3GEYJ 104 V (100 kΩ)   |
| R5608   | 7030003800 | S.RESISTOR ERJ3GEYJ 105 V (1 MΩ)     |
| R5701   | 7030003440 | S.RESISTOR ERJ3GEYJ 102 V (1 kΩ)     |
| R5702   | 7030003800 | S.RESISTOR ERJ3GEYJ 105 V (1 MΩ)     |
| R5703   | 7030003640 | S.RESISTOR ERJ3GEYJ 473 V (47 kΩ)    |
| R5704   | 7030003670 | S.RESISTOR ERJ3GEYJ 823 V (82 kΩ)    |
| R5705   | 7030003440 | S.RESISTOR ERJ3GEYJ 102 V (1 kΩ)     |
| R5706   | 7030003640 | S.RESISTOR ERJ3GEYJ 473 V (47 kΩ)    |
| R5711   | 7030003440 | S.RESISTOR ERJ3GEYJ 102 V (1 kΩ)     |
| R5712   | 7030003640 | S.RESISTOR ERJ3GEYJ 473 V (47 kΩ)    |
| R5804   | 7030003440 | S.RESISTOR ERJ3GEYJ 102 V (1 kΩ)     |
| R5805   | 7030003440 | S.RESISTOR ERJ3GEYJ 102 V (1 kΩ)     |

Ⓐ: [EUR], [EUR-1], [USA], [USA-1], [KOR], [KOR-1]  
 ㉔: [FRA], [FRA-1], [ITA], [ITA-1]  
 ㉓: [FRA], [FRA-1], [ESP], [ESP-1], [KOR], [KOR-1], [ITA], [ITA-1]

[MAIN UNIT]

| REF NO. | ORDER NO.  | DESCRIPTION                        |
|---------|------------|------------------------------------|
| R5806   | 7030003440 | S.RESISTOR ERJ3GEYJ 102 V (1 kΩ)   |
| R5807   | 7030003440 | S.RESISTOR ERJ3GEYJ 102 V (1 kΩ)   |
| R5812   | 7030003440 | S.RESISTOR ERJ3GEYJ 102 V (1 kΩ)   |
| R5814   | 7030003440 | S.RESISTOR ERJ3GEYJ 102 V (1 kΩ)   |
| R5815   | 7030003440 | S.RESISTOR ERJ3GEYJ 102 V (1 kΩ)   |
| R5816   | 7030003440 | S.RESISTOR ERJ3GEYJ 102 V (1 kΩ)   |
| R5851   | 7030003440 | S.RESISTOR ERJ3GEYJ 102 V (1 kΩ)   |
| R5852   | 7030003640 | S.RESISTOR ERJ3GEYJ 473 V (47 kΩ)  |
| R5899   | 7030003640 | S.RESISTOR ERJ3GEYJ 473 V (47 kΩ)  |
| R5901   | 7030003680 | S.RESISTOR ERJ3GEYJ 104 V (100 kΩ) |
| R5903   | 7030003560 | S.RESISTOR ERJ3GEYJ 103 V (10 kΩ)  |
| R5921   | 7030003600 | S.RESISTOR ERJ3GEYJ 223 V (22 kΩ)  |
| R5922   | 7030003560 | S.RESISTOR ERJ3GEYJ 103 V (10 kΩ)  |
| R5923   | 7030003680 | S.RESISTOR ERJ3GEYJ 104 V (100 kΩ) |
| R5924   | 7030003720 | S.RESISTOR ERJ3GEYJ 224 V (220 kΩ) |
| R5925   | 7030003680 | S.RESISTOR ERJ3GEYJ 104 V (100 kΩ) |
| R5926   | 7030003680 | S.RESISTOR ERJ3GEYJ 104 V (100 kΩ) |
| R5927   | 7030003720 | S.RESISTOR ERJ3GEYJ 224 V (220 kΩ) |
| R5928   | 7030003540 | S.RESISTOR ERJ3GEYJ 682 V (6.8 kΩ) |
| R5929   | 7030003560 | S.RESISTOR ERJ3GEYJ 103 V (10 kΩ)  |
| R5961   | 7030003600 | S.RESISTOR ERJ3GEYJ 223 V (22 kΩ)  |
| R5962   | 7030003560 | S.RESISTOR ERJ3GEYJ 103 V (10 kΩ)  |
| R5981   | 7030007911 | S.RESISTOR ERA3YKD 563V (56 kΩ)    |
| R5982   | 7030005981 | S.RESISTOR ERA3YED 333V            |
| R6001   | 7030003440 | S.RESISTOR ERJ3GEYJ 102 V (1 kΩ)   |
| R6002   | 7030003640 | S.RESISTOR ERJ3GEYJ 473 V (47 kΩ)  |
| R6003   | 7030003440 | S.RESISTOR ERJ3GEYJ 102 V (1 kΩ)   |
| R6004   | 7030003440 | S.RESISTOR ERJ3GEYJ 102 V (1 kΩ)   |
| R6005   | 7030003560 | S.RESISTOR ERJ3GEYJ 103 V (10 kΩ)  |
| R6006   | 7030003440 | S.RESISTOR ERJ3GEYJ 102 V (1 kΩ)   |
| R6007   | 7030003440 | S.RESISTOR ERJ3GEYJ 102 V (1 kΩ)   |
| R6008   | 7030003400 | S.RESISTOR ERJ3GEYJ 471 V (470 Ω)  |
| R6009   | 7030003400 | S.RESISTOR ERJ3GEYJ 471 V (470 Ω)  |
| R6010   | 7030003440 | S.RESISTOR ERJ3GEYJ 102 V (1 kΩ)   |
| R6012   | 7030003440 | S.RESISTOR ERJ3GEYJ 102 V (1 kΩ)   |
| R6013   | 7030003440 | S.RESISTOR ERJ3GEYJ 102 V (1 kΩ)   |
| R6101   | 7030003640 | S.RESISTOR ERJ3GEYJ 473 V (47 kΩ)  |
| R6102   | 7030003440 | S.RESISTOR ERJ3GEYJ 102 V (1 kΩ)   |
| R6103   | 7030003440 | S.RESISTOR ERJ3GEYJ 102 V (1 kΩ)   |
| R6104   | 7030003440 | S.RESISTOR ERJ3GEYJ 102 V (1 kΩ)   |
| R6105   | 7030003440 | S.RESISTOR ERJ3GEYJ 102 V (1 kΩ)   |
| R6151   | 7030003440 | S.RESISTOR ERJ3GEYJ 102 V (1 kΩ)   |
| R6201   | 7030003520 | S.RESISTOR ERJ3GEYJ 472 V (4.7 kΩ) |
| R6202   | 7030003520 | S.RESISTOR ERJ3GEYJ 472 V (4.7 kΩ) |
| R6301   | 7030003440 | S.RESISTOR ERJ3GEYJ 102 V (1 kΩ)   |
| R6302   | 7030003440 | S.RESISTOR ERJ3GEYJ 102 V (1 kΩ)   |
| R6303   | 7030003440 | S.RESISTOR ERJ3GEYJ 102 V (1 kΩ)   |
| R6304   | 7030003440 | S.RESISTOR ERJ3GEYJ 102 V (1 kΩ)   |
| R6305   | 7030003440 | S.RESISTOR ERJ3GEYJ 102 V (1 kΩ)   |
| R6306   | 7030003440 | S.RESISTOR ERJ3GEYJ 102 V (1 kΩ)   |
| R6307   | 7030003440 | S.RESISTOR ERJ3GEYJ 102 V (1 kΩ)   |
| R6321   | 7030003600 | S.RESISTOR ERJ3GEYJ 223 V (22 kΩ)  |
| R6322   | 7030003440 | S.RESISTOR ERJ3GEYJ 102 V (1 kΩ)   |
| R6323   | 7030003640 | S.RESISTOR ERJ3GEYJ 473 V (47 kΩ)  |
| R6324   | 7030003440 | S.RESISTOR ERJ3GEYJ 102 V (1 kΩ)   |
| R6325   | 7030003640 | S.RESISTOR ERJ3GEYJ 473 V (47 kΩ)  |
| R6341   | 7030003600 | S.RESISTOR ERJ3GEYJ 223 V (22 kΩ)  |
| R6342   | 7030003440 | S.RESISTOR ERJ3GEYJ 102 V (1 kΩ)   |
| R6343   | 7030003640 | S.RESISTOR ERJ3GEYJ 473 V (47 kΩ)  |
| R6344   | 7030003440 | S.RESISTOR ERJ3GEYJ 102 V (1 kΩ)   |
| R6345   | 7030003560 | S.RESISTOR ERJ3GEYJ 103 V (10 kΩ)  |
| R6361   | 7030003560 | S.RESISTOR ERJ3GEYJ 103 V (10 kΩ)  |
| R6362   | 7030003440 | S.RESISTOR ERJ3GEYJ 102 V (1 kΩ)   |
| R6403   | 7030003440 | S.RESISTOR ERJ3GEYJ 102 V (1 kΩ)   |
| R6404   | 7030003440 | S.RESISTOR ERJ3GEYJ 102 V (1 kΩ)   |
| R6405   | 7030003440 | S.RESISTOR ERJ3GEYJ 102 V (1 kΩ)   |
| R6471   | 7030003640 | S.RESISTOR ERJ3GEYJ 473 V (47 kΩ)  |
| R6472   | 7030003620 | S.RESISTOR ERJ3GEYJ 333 V (33 kΩ)  |
| R6473   | 7030003580 | S.RESISTOR ERJ3GEYJ 153 V (15 kΩ)  |
| R6474   | 7030003520 | S.RESISTOR ERJ3GEYJ 472 V (4.7 kΩ) |
| R6491   | 7030003440 | S.RESISTOR ERJ3GEYJ 102 V (1 kΩ)   |
| R6511   | 7030003560 | S.RESISTOR ERJ3GEYJ 103 V (10 kΩ)  |
| R6601   | 7030003640 | S.RESISTOR ERJ3GEYJ 473 V (47 kΩ)  |
| R6602   | 7030003620 | S.RESISTOR ERJ3GEYJ 333 V (33 kΩ)  |
| R6603   | 7030003580 | S.RESISTOR ERJ3GEYJ 153 V (15 kΩ)  |
| R6604   | 7030003520 | S.RESISTOR ERJ3GEYJ 472 V (4.7 kΩ) |
| R6641   | 7030003440 | S.RESISTOR ERJ3GEYJ 102 V (1 kΩ)   |
| R6642   | 7030003680 | S.RESISTOR ERJ3GEYJ 104 V (100 kΩ) |

Ⓑ: [EUR], [EUR-1], [ESP], [ESP-1], [OTH], [OTH-1]  
 ㉒: [ESP], [ESP-1], [KOR], [KOR-1], [ITA], [ITA-1]  
 ㉔: [FRA], [FRA-1], [ESP], [ESP-1], [OTH], [OTH-1], [ITA], [ITA-1]

S.=Surface mount



[MAIN UNIT]

| REF NO. | ORDER NO.  | DESCRIPTION                          |
|---------|------------|--------------------------------------|
| R6661   | 7030003640 | S.RESISTOR ERJ3GEYJ 473 V (47 kΩ)    |
| R6662   | 7030003620 | S.RESISTOR ERJ3GEYJ 333 V (33 kΩ)    |
| R6663   | 7030003580 | S.RESISTOR ERJ3GEYJ 153 V (15 kΩ)    |
| R6664   | 7030003520 | S.RESISTOR ERJ3GEYJ 472 V (4.7 kΩ)   |
| R6701   | 7030003440 | S.RESISTOR ERJ3GEYJ 102 V (1 kΩ)     |
| R6702   | 7030003440 | S.RESISTOR ERJ3GEYJ 102 V (1 kΩ)     |
| R6703   | 7030003440 | S.RESISTOR ERJ3GEYJ 102 V (1 kΩ)     |
| R6704   | 7030003440 | S.RESISTOR ERJ3GEYJ 102 V (1 kΩ)     |
| R6751   | 7030003440 | S.RESISTOR ERJ3GEYJ 102 V (1 kΩ)     |
| R6752   | 7030003440 | S.RESISTOR ERJ3GEYJ 102 V (1 kΩ)     |
| R6753   | 7030003440 | S.RESISTOR ERJ3GEYJ 102 V (1 kΩ)     |
| R6754   | 7030003440 | S.RESISTOR ERJ3GEYJ 102 V (1 kΩ)     |
| R6755   | 7030003440 | S.RESISTOR ERJ3GEYJ 102 V (1 kΩ)     |
| R6756   | 7030003640 | S.RESISTOR ERJ3GEYJ 473 V (47 kΩ)    |
| R6758   | 7030003440 | S.RESISTOR ERJ3GEYJ 102 V (1 kΩ)     |
| R6759   | 7030003440 | S.RESISTOR ERJ3GEYJ 102 V (1 kΩ)     |
| R6760   | 7030003440 | S.RESISTOR ERJ3GEYJ 102 V (1 kΩ)     |
| R6761   | 7030003440 | S.RESISTOR ERJ3GEYJ 102 V (1 kΩ)     |
| R6762   | 7030003440 | S.RESISTOR ERJ3GEYJ 102 V (1 kΩ)     |
| R6763   | 7030003440 | S.RESISTOR ERJ3GEYJ 102 V (1 kΩ)     |
| R6764   | 7030003440 | S.RESISTOR ERJ3GEYJ 102 V (1 kΩ)     |
| R6765   | 7030003440 | S.RESISTOR ERJ3GEYJ 102 V (1 kΩ)     |
| R6766   | 7030003640 | S.RESISTOR ERJ3GEYJ 473 V (47 kΩ)    |
| R6851   | 7030003560 | S.RESISTOR ERJ3GEYJ 103 V (10 kΩ)    |
| R6852   | 7030003440 | S.RESISTOR ERJ3GEYJ 102 V (1 kΩ)     |
| R6853   | 7030003640 | S.RESISTOR ERJ3GEYJ 473 V (47 kΩ)    |
| R7001   | 7030003520 | S.RESISTOR ERJ3GEYJ 472 V (4.7 kΩ)   |
| R7002   | 7030003840 | S.RESISTOR ERJ3GEYJ 225 V (2.2 MΩ)   |
| R7003   | 7030003800 | S.RESISTOR ERJ3GEYJ 105 V (10 kΩ)    |
| R7004   | 7030003670 | S.RESISTOR ERJ3GEYJ 823 V (82 kΩ)    |
| R7005   | 7030003670 | S.RESISTOR ERJ3GEYJ 823 V (82 kΩ)    |
| R7006   | 7030003670 | S.RESISTOR ERJ3GEYJ 823 V (82 kΩ)    |
| R7007   | 7030003680 | S.RESISTOR ERJ3GEYJ 104 V (100 kΩ)   |
| R7008   | 7030003690 | S.RESISTOR ERJ3GEYJ 124 V (120 kΩ)   |
| R7009   | 7030003760 | S.RESISTOR ERJ3GEYJ 474 V (470 kΩ)   |
| R7010   | 7030003680 | S.RESISTOR ERJ3GEYJ 104 V (100 kΩ)   |
| R7011   | 7030003840 | S.RESISTOR ERJ3GEYJ 225 V (2.2 MΩ)   |
| R7012   | 7030003800 | S.RESISTOR ERJ3GEYJ 105 V (10 kΩ)    |
| R7013   | 7030003560 | S.RESISTOR ERJ3GEYJ 103 V (10 kΩ)    |
| R7101   | 7030003560 | S.RESISTOR ERJ3GEYJ 103 V (10 kΩ)    |
| R7102   | 7030008141 | S.RESISTOR ERA3YKD 224V (220 kΩ)     |
| R7103   | 7030008141 | S.RESISTOR ERA3YKD 224V (220 kΩ)     |
| R7104   | 7030008141 | S.RESISTOR ERA3YKD 224V (220 kΩ)     |
| R7150   | 7030003700 | S.RESISTOR ERJ3GEYJ 154 V (150 kΩ)   |
| R7151   | 7030003730 | S.RESISTOR ERJ3GEYJ 274 V (270 kΩ)   |
| R7152   | 7030003650 | S.RESISTOR ERJ3GEYJ 563 V (56 kΩ)    |
| R7153   | 7030003640 | S.RESISTOR ERJ3GEYJ 473 V (47 kΩ)    |
| R7154   | 7030003680 | S.RESISTOR ERJ3GEYJ 104 V (100 kΩ)   |
| R7155   | 7030003520 | S.RESISTOR ERJ3GEYJ 472 V (4.7 kΩ)   |
| R7201   | 7030003640 | S.RESISTOR ERJ3GEYJ 473 V (47 kΩ)    |
| R7202   | 7030003460 | S.RESISTOR ERJ3GEYJ 152 V (1.5 kΩ)   |
| R7203   | 7030003640 | S.RESISTOR ERJ3GEYJ 473 V (47 kΩ)    |
| R7204   | 7030003640 | S.RESISTOR ERJ3GEYJ 473 V (47 kΩ)    |
| R7205   | 7310002720 | S.TRIMMER RV-148 (RH03A3AS3X0DA) 472 |
| R7206   | 7030003400 | S.RESISTOR ERJ3GEYJ 471 V (470 Ω)    |
| R7207   | 7030003560 | S.RESISTOR ERJ3GEYJ 103 V (10 kΩ)    |
| R7208   | 7030003520 | S.RESISTOR ERJ3GEYJ 472 V (4.7 kΩ)   |
| R7209   | 7030003610 | S.RESISTOR ERJ3GEYJ 273 V (27 kΩ)    |
| R7211   | 7030003490 | S.RESISTOR ERJ3GEYJ 272 V (2.7 kΩ)   |
| R7212   | 7030003320 | S.RESISTOR ERJ3GEYJ 101 V (100 Ω)    |
| R7301   | 7030003600 | S.RESISTOR ERJ3GEYJ 223 V (22 kΩ)    |
| R7302   | 7030003440 | S.RESISTOR ERJ3GEYJ 102 V (1 kΩ)     |
| R7303   | 7030004040 | S.RESISTOR ERJ3GEYJ 4R7 V (4.7 Ω)    |
| R7304   | 7030003600 | S.RESISTOR ERJ3GEYJ 223 V (22 kΩ)    |
| R7305   | 7030003680 | S.RESISTOR ERJ3GEYJ 104 V (100 kΩ)   |
| R7351   | 7030003400 | S.RESISTOR ERJ3GEYJ 471 V (470 Ω)    |
| R7371   | 7030003560 | S.RESISTOR ERJ3GEYJ 103 V (10 kΩ)    |
| R7372   | 7030003680 | S.RESISTOR ERJ3GEYJ 104 V (100 kΩ)   |
| R7373   | 7030003560 | S.RESISTOR ERJ3GEYJ 103 V (10 kΩ)    |
| R7374   | 7030003720 | S.RESISTOR ERJ3GEYJ 224 V (220 kΩ)   |
| R7376   | 7030003670 | S.RESISTOR ERJ3GEYJ 823 V (82 kΩ)    |
| R9001   | 7030003320 | S.RESISTOR ERJ3GEYJ 101 V (100 Ω)    |
| R9003   | 7030003440 | S.RESISTOR ERJ3GEYJ 102 V (1 kΩ)     |
| R9004   | 7030003440 | S.RESISTOR ERJ3GEYJ 102 V (1 kΩ)     |
| R9005   | 7030003440 | S.RESISTOR ERJ3GEYJ 102 V (1 kΩ)     |
| R9006   | 7030003440 | S.RESISTOR ERJ3GEYJ 102 V (1 kΩ)     |
| R9021   | 7030003440 | S.RESISTOR ERJ3GEYJ 102 V (1 kΩ)     |
| R9051   | 7030003720 | S.RESISTOR ERJ3GEYJ 224 V (220 kΩ)   |

- Ⓐ: [EUR], [EUR-1], [USA], [USA-1], [KOR], [KOR-1]
- Ⓒ: [FRA], [FRA-1], [ITA], [ITA-1]
- Ⓔ: [FRA], [FRA-1], [ESP], [ESP-1], [KOR], [KOR-1], [ITA], [ITA-1]

[MAIN UNIT]

| REF NO. | ORDER NO.  | DESCRIPTION                              |
|---------|------------|--|
| R9053   | 7030003440 | S.RESISTOR ERJ3GEYJ 102 V (1 kΩ)         |
| R9054   | 7030003320 | S.RESISTOR ERJ3GEYJ 101 V (100 Ω)        |
| R9101   | 7030003800 | S.RESISTOR ERJ3GEYJ 105 V (1 MΩ)         |
| R9102   | 7030003440 | S.RESISTOR ERJ3GEYJ 102 V (1 kΩ)         |
| R9103   | 7030003440 | S.RESISTOR ERJ3GEYJ 102 V (1 kΩ)         |
| R9104   | 7030003440 | S.RESISTOR ERJ3GEYJ 102 V (1 kΩ)         |
| R9106   | 7030003440 | S.RESISTOR ERJ3GEYJ 102 V (1 kΩ)         |
| R9151   | 7030006581 | S.RESISTOR ERA3YED 122V                  |
| R9152   | 7030009691 | S.RESISTOR ERA3YED 101V (100 Ω)          |
| R9201   | 7030003380 | S.RESISTOR ERJ3GEYJ 331 V (330 Ω)        |
| R9203   | 7030003560 | S.RESISTOR ERJ3GEYJ 103 V (10 kΩ) Ⓐ only |
| R9205   | 7030003410 | S.RESISTOR ERJ3GEYJ 561 V (560 Ω)        |
| R9221   | 7030003440 | S.RESISTOR ERJ3GEYJ 102 V (1 kΩ)         |
| R9251   | 7030003380 | S.RESISTOR ERJ3GEYJ 331 V (330 Ω) Ⓐ only |
| R9253   | 7030003560 | S.RESISTOR ERJ3GEYJ 103 V (10 kΩ) Ⓐ only |
| R9255   | 7030003380 | S.RESISTOR ERJ3GEYJ 331 V (330 Ω) Ⓐ only |
| R9301   | 7030003560 | S.RESISTOR ERJ3GEYJ 103 V (10 kΩ)        |
| R9302   | 7030003480 | S.RESISTOR ERJ3GEYJ 222 V (2.2 kΩ)       |
| R9303   | 7030003320 | S.RESISTOR ERJ3GEYJ 101 V (100 Ω)        |
| R9304   | 7030003320 | S.RESISTOR ERJ3GEYJ 101 V (100 Ω)        |
| R9351   | 7030003400 | S.RESISTOR ERJ3GEYJ 471 V (470 Ω)        |
| R9354   | 7030003440 | S.RESISTOR ERJ3GEYJ 102 V (1 kΩ)         |
| R9401   | 7030003440 | S.RESISTOR ERJ3GEYJ 102 V (1 kΩ) Ⓐ only  |
| R9402   | 7030003370 | S.RESISTOR ERJ3GEYJ 271 V (270 Ω)        |
| R9403   | 7030003230 | S.RESISTOR ERJ3GEYJ 180 V (18 Ω)         |
| R9404   | 7030003370 | S.RESISTOR ERJ3GEYJ 271 V (270 Ω)        |
| R9521   | 7030003400 | S.RESISTOR ERJ3GEYJ 471 V (470 Ω)        |
| R9522   | 7030003520 | S.RESISTOR ERJ3GEYJ 472 V (4.7 kΩ)       |
| R9551   | 7030003440 | S.RESISTOR ERJ3GEYJ 102 V (1 kΩ)         |
| R9552   | 7310002740 | S.TRIMMER RV-150 (RH03A3A14X0FC) 103     |
| R9553   | 7030003440 | S.RESISTOR ERJ3GEYJ 102 V (1 kΩ)         |
| R9600   | 7030003440 | S.RESISTOR ERJ3GEYJ 102 V (1 kΩ)         |
| R9601   | 7030003520 | S.RESISTOR ERJ3GEYJ 472 V (4.7 kΩ)       |
| R9602   | 7030003640 | S.RESISTOR ERJ3GEYJ 473 V (47 kΩ)        |
| R9603   | 7030003440 | S.RESISTOR ERJ3GEYJ 102 V (1 kΩ)         |
| R9604   | 7030003440 | S.RESISTOR ERJ3GEYJ 102 V (1 kΩ)         |
| R9605   | 7030003440 | S.RESISTOR ERJ3GEYJ 102 V (1 kΩ)         |
| R9606   | 7030003480 | S.RESISTOR ERJ3GEYJ 222 V (2.2 kΩ)       |
| R9607   | 7030003520 | S.RESISTOR ERJ3GEYJ 472 V (4.7 kΩ)       |
| R9608   | 7030003760 | S.RESISTOR ERJ3GEYJ 474 V (470 kΩ)       |
| R9609   | 7030003370 | S.RESISTOR ERJ3GEYJ 271 V (270 Ω)        |
| R9611   | 7030003440 | S.RESISTOR ERJ3GEYJ 102 V (1 kΩ)         |
| R9612   | 7030003640 | S.RESISTOR ERJ3GEYJ 473 V (47 kΩ)        |
| R9621   | 7030003480 | S.RESISTOR ERJ3GEYJ 222 V (2.2 kΩ)       |
| R9622   | 7030003640 | S.RESISTOR ERJ3GEYJ 473 V (47 kΩ)        |
| R9623   | 7030003360 | S.RESISTOR ERJ3GEYJ 221 V (220 Ω)        |
| R9624   | 7030003640 | S.RESISTOR ERJ3GEYJ 473 V (47 kΩ)        |
| R9651   | 7030003560 | S.RESISTOR ERJ3GEYJ 103 V (10 kΩ)        |
| R9652   | 7030003480 | S.RESISTOR ERJ3GEYJ 222 V (2.2 kΩ)       |
| R9653   | 7030003320 | S.RESISTOR ERJ3GEYJ 101 V (100 Ω)        |
| R9654   | 7030003320 | S.RESISTOR ERJ3GEYJ 101 V (100 Ω)        |
| R9671   | 7030003400 | S.RESISTOR ERJ3GEYJ 471 V (470 Ω)        |
| R9672   | 7030003370 | S.RESISTOR ERJ3GEYJ 271 V (270 Ω)        |
| R9673   | 7030003230 | S.RESISTOR ERJ3GEYJ 180 V (18 Ω)         |
| R9674   | 7030003370 | S.RESISTOR ERJ3GEYJ 271 V (270 Ω)        |
| R9681   | 7030003560 | S.RESISTOR ERJ3GEYJ 103 V (10 kΩ)        |
| R9691   | 7030003640 | S.RESISTOR ERJ3GEYJ 473 V (47 kΩ) Ⓐ only |
| R9702   | 7030003320 | S.RESISTOR ERJ3GEYJ 101 V (100 Ω)        |
| R9703   | 7030003440 | S.RESISTOR ERJ3GEYJ 102 V (1 kΩ)         |
| R9704   | 7030003440 | S.RESISTOR ERJ3GEYJ 102 V (1 kΩ)         |
| R9705   | 7030003440 | S.RESISTOR ERJ3GEYJ 102 V (1 kΩ)         |
| R9721   | 7030003440 | S.RESISTOR ERJ3GEYJ 102 V (1 kΩ)         |
| R9753   | 7030003440 | S.RESISTOR ERJ3GEYJ 102 V (1 kΩ)         |
| R9960   | 7030003670 | S.RESISTOR ERJ3GEYJ 823 V (82 kΩ)        |
| R9961   | 7030003440 | S.RESISTOR ERJ3GEYJ 102 V (1 kΩ)         |
| R9962   | 7030003640 | S.RESISTOR ERJ3GEYJ 473 V (47 kΩ)        |
| R9963   | 7030003440 | S.RESISTOR ERJ3GEYJ 102 V (1 kΩ)         |
| R9964   | 7030003640 | S.RESISTOR ERJ3GEYJ 473 V (47 kΩ)        |
| R9967   | 7030003680 | S.RESISTOR ERJ3GEYJ 104 V (100 kΩ)       |
| R9968   | 7030010410 | S.RESISTOR ERJ1TYJ 220U (22 Ω)           |
| R9969   | 7030010410 | S.RESISTOR ERJ1TYJ 220U (22 Ω)           |
| R9970   | 7030010410 | S.RESISTOR ERJ1TYJ 220U (22 Ω)           |
| R9971   | 7030010410 | S.RESISTOR ERJ1TYJ 220U (22 Ω)           |
| C5      | 4030011600 | S.CERAMIC C1608 JB 1E 104K-T             |
| C6      | 4030011600 | S.CERAMIC C1608 JB 1E 104K-T             |
| C7      | 4030011600 | S.CERAMIC C1608 JB 1E 104K-T             |

- Ⓑ: [EUR], [EUR-1], [ESP], [ESP-1], [OTH], [OTH-1]
- Ⓓ: [ESP], [ESP-1], [KOR], [KOR-1], [ITA], [ITA-1]
- Ⓔ: [FRA], [FRA-1], [ESP], [ESP-1], [OTH], [OTH-1], [ITA], [ITA-1]

S.=Surface mount



[MAIN UNIT]

| REF NO. | ORDER NO.  | DESCRIPTION |                    |
|---------|------------|-------------|--------------------|
| C8      | 4030011600 | S.CERAMIC   | C1608 JB 1E 104K-T |
| C9      | 4030011600 | S.CERAMIC   | C1608 JB 1E 104K-T |
| C12     | 4030006860 | S.CERAMIC   | C1608 JB 1H 102K-T |
| C13     | 4030006860 | S.CERAMIC   | C1608 JB 1H 102K-T |
| C102    | 4030011600 | S.CERAMIC   | C1608 JB 1E 104K-T |
| C103    | 4030011600 | S.CERAMIC   | C1608 JB 1E 104K-T |
| C104    | 4030011600 | S.CERAMIC   | C1608 JB 1E 104K-T |
| C201    | 4030011600 | S.CERAMIC   | C1608 JB 1E 104K-T |
| C202    | 4030011600 | S.CERAMIC   | C1608 JB 1E 104K-T |
| C203    | 4030011600 | S.CERAMIC   | C1608 JB 1E 104K-T |
| C204    | 4030008470 | S.CERAMIC   | C1608 JB 1H 272K-T |
| C205    | 4030011280 | S.CERAMIC   | C1608 CH 1H 271J-T |
| C206    | 4030009970 | S.CERAMIC   | C1608 JB 1H 182K-T |
| C301    | 4030008470 | S.CERAMIC   | C1608 JB 1H 272K-T |
| C302    | 4030009880 | S.CERAMIC   | C1608 JB 1H 682K-T |
| C303    | 4030009980 | S.CERAMIC   | C1608 JB 1H 152K-T |
| C304    | 4030011600 | S.CERAMIC   | C1608 JB 1E 104K-T |
| C306    | 4030007110 | S.CERAMIC   | C1608 CH 1H 680J-T |
| C307    | 4030007060 | S.CERAMIC   | C1608 CH 1H 270J-T |
| C308    | 4030007150 | S.CERAMIC   | C1608 CH 1H 151J-T |
| C309    | 4030007010 | S.CERAMIC   | C1608 CH 1H 100D-T |
| C310    | 4030007120 | S.CERAMIC   | C1608 CH 1H 820J-T |
| C401    | 4030011600 | S.CERAMIC   | C1608 JB 1E 104K-T |
| C402    | 4030006880 | S.CERAMIC   | C1608 JB 1H 472K-T |
| C501    | 4030006880 | S.CERAMIC   | C1608 JB 1H 472K-T |
| C502    | 4030007130 | S.CERAMIC   | C1608 CH 1H 101J-T |
| C503    | 4030007170 | S.CERAMIC   | C1608 CH 1H 221J-T |
| C504    | 4030007030 | S.CERAMIC   | C1608 CH 1H 150J-T |
| C505    | 4030006880 | S.CERAMIC   | C1608 JB 1H 472K-T |
| C506    | 4030006880 | S.CERAMIC   | C1608 JB 1H 472K-T |
| C507    | 4030006880 | S.CERAMIC   | C1608 JB 1H 472K-T |
| C508    | 4030007080 | S.CERAMIC   | C1608 CH 1H 390J-T |
| C509    | 4030007030 | S.CERAMIC   | C1608 CH 1H 150J-T |
| C510    | 4030007080 | S.CERAMIC   | C1608 CH 1H 390J-T |
| C511    | 4030006880 | S.CERAMIC   | C1608 JB 1H 472K-T |
| C512    | 4030009540 | S.CERAMIC   | C1608 CH 1H 1R5B-T |
| C513    | 4030007120 | S.CERAMIC   | C1608 CH 1H 820J-T |
| C521    | 4030006880 | S.CERAMIC   | C1608 JB 1H 472K-T |
| C522    | 4030007080 | S.CERAMIC   | C1608 CH 1H 390J-T |
| C523    | 4030007120 | S.CERAMIC   | C1608 CH 1H 820J-T |
| C524    | 4030007150 | S.CERAMIC   | C1608 CH 1H 151J-T |
| C525    | 4030009650 | S.CERAMIC   | C1608 CH 1H 240J-T |
| C526    | 4030007150 | S.CERAMIC   | C1608 CH 1H 151J-T |
| C527    | 4030007140 | S.CERAMIC   | C1608 CH 1H 121J-T |
| C528    | 4030007110 | S.CERAMIC   | C1608 CH 1H 680J-T |
| C529    | 4030007090 | S.CERAMIC   | C1608 CH 1H 470J-T |
| C530    | 4030010760 | S.CERAMIC   | C1608 CH 1H 331J-T |
| C531    | 4030007120 | S.CERAMIC   | C1608 CH 1H 820J-T |
| C541    | 4030011600 | S.CERAMIC   | C1608 JB 1E 104K-T |
| C542    | 4030011600 | S.CERAMIC   | C1608 JB 1E 104K-T |
| C551    | 4030011600 | S.CERAMIC   | C1608 JB 1E 104K-T |
| C552    | 4030006880 | S.CERAMIC   | C1608 JB 1H 472K-T |
| C553    | 4030009980 | S.CERAMIC   | C1608 JB 1H 152K-T |
| C554    | 4030009980 | S.CERAMIC   | C1608 JB 1H 152K-T |
| C555    | 4030008770 | S.CERAMIC   | C1608 JB 1H 562K-T |
| C556    | 4030006870 | S.CERAMIC   | C1608 JB 1H 222K-T |
| C561    | 4030011600 | S.CERAMIC   | C1608 JB 1E 104K-T |
| C562    | 4030008470 | S.CERAMIC   | C1608 JB 1H 272K-T |
| C563    | 4030008470 | S.CERAMIC   | C1608 JB 1H 272K-T |
| C564    | 4030009580 | S.CERAMIC   | C1608 JB 1H 681K-T |
| C565    | 4030008470 | S.CERAMIC   | C1608 JB 1H 272K-T |
| C566    | 4030010020 | S.CERAMIC   | C1608 JB 1H 122K-T |
| C571    | 4030011600 | S.CERAMIC   | C1608 JB 1E 104K-T |
| C572    | 4030006860 | S.CERAMIC   | C1608 JB 1H 102K-T |
| C573    | 4030011330 | S.CERAMIC   | C1608 CH 1H 391J-T |
| C574    | 4030010760 | S.CERAMIC   | C1608 CH 1H 331J-T |
| C575    | 4030006870 | S.CERAMIC   | C1608 JB 1H 222K-T |
| C576    | 4030010040 | S.CERAMIC   | C1608 JB 1H 561K-T |
| C581    | 4030011600 | S.CERAMIC   | C1608 JB 1E 104K-T |
| C582    | 4030010760 | S.CERAMIC   | C1608 CH 1H 331J-T |
| C583    | 4030006860 | S.CERAMIC   | C1608 JB 1H 102K-T |
| C584    | 4030007150 | S.CERAMIC   | C1608 CH 1H 151J-T |
| C585    | 4030006870 | S.CERAMIC   | C1608 JB 1H 222K-T |
| C586    | 4030011280 | S.CERAMIC   | C1608 CH 1H 271J-T |
| C591    | 4030011600 | S.CERAMIC   | C1608 JB 1E 104K-T |
| C592    | 4030011340 | S.CERAMIC   | C1608 CH 1H 471J-T |
| C593    | 4030007150 | S.CERAMIC   | C1608 CH 1H 151J-T |

Ⓐ: [EUR], [EUR-1], [USA], [USA-1], [KOR], [KOR-1]  
 Ⓒ: [FRA], [FRA-1], [ITA], [ITA-1]  
 Ⓔ: [FRA], [FRA-1], [ESP], [ESP-1], [KOR], [KOR-1], [ITA], [ITA-1]

[MAIN UNIT]

| REF NO. | ORDER NO.  | DESCRIPTION |                    |
|---------|------------|-------------|--------------------|
| C594    | 4030007140 | S.CERAMIC   | C1608 CH 1H 121J-T |
| C595    | 4030011340 | S.CERAMIC   | C1608 CH 1H 471J-T |
| C596    | 4030007170 | S.CERAMIC   | C1608 CH 1H 221J-T |
| C601    | 4030006880 | S.CERAMIC   | C1608 JB 1H 472K-T |
| C602    | 4030011600 | S.CERAMIC   | C1608 JB 1E 104K-T |
| C603    | 4030006880 | S.CERAMIC   | C1608 JB 1H 472K-T |
| C621    | 4030011600 | S.CERAMIC   | C1608 JB 1E 104K-T |
| C622    | 4030011600 | S.CERAMIC   | C1608 JB 1E 104K-T |
| C623    | 4030011600 | S.CERAMIC   | C1608 JB 1E 104K-T |
| C631    | 4030011600 | S.CERAMIC   | C1608 JB 1E 104K-T |
| C632    | 4030011600 | S.CERAMIC   | C1608 JB 1E 104K-T |
| C633    | 4030011600 | S.CERAMIC   | C1608 JB 1E 104K-T |
| C634    | 4030011600 | S.CERAMIC   | C1608 JB 1E 104K-T |
| C650    | 4030007110 | S.CERAMIC   | C1608 CH 1H 680J-T |
| C651    | 4030011600 | S.CERAMIC   | C1608 JB 1E 104K-T |
| C652    | 4030011600 | S.CERAMIC   | C1608 JB 1E 104K-T |
| C653    | 4030011600 | S.CERAMIC   | C1608 JB 1E 104K-T |
| C654    | 4030011600 | S.CERAMIC   | C1608 JB 1E 104K-T |
| C655    | 4030011600 | S.CERAMIC   | C1608 JB 1E 104K-T |
| C656    | 4030011600 | S.CERAMIC   | C1608 JB 1E 104K-T |
| C657    | 4030006880 | S.CERAMIC   | C1608 JB 1H 472K-T |
| C658    | 4030011600 | S.CERAMIC   | C1608 JB 1E 104K-T |
| C681    | 4030007110 | S.CERAMIC   | C1608 CH 1H 680J-T |
| C682    | 4030007010 | S.CERAMIC   | C1608 CH 1H 100D-T |
| C683    | 4030007140 | S.CERAMIC   | C1608 CH 1H 121J-T |
| C684    | 4030007030 | S.CERAMIC   | C1608 CH 1H 150J-T |
| C685    | 4030007140 | S.CERAMIC   | C1608 CH 1H 121J-T |
| C686    | 4030007080 | S.CERAMIC   | C1608 CH 1H 390J-T |
| C687    | 4030007090 | S.CERAMIC   | C1608 CH 1H 470J-T |
| C691    | 4030006860 | S.CERAMIC   | C1608 JB 1H 102K-T |
| C701    | 4030011600 | S.CERAMIC   | C1608 JB 1E 104K-T |
| C704    | 4030009920 | S.CERAMIC   | C1608 CH 1H 050B-T |
| C705    | 4030006880 | S.CERAMIC   | C1608 JB 1H 472K-T |
| C706    | 4030011600 | S.CERAMIC   | C1608 JB 1E 104K-T |
| C707    | 4550006080 | S.TANTALUM  | TEMSVB2 1C 106M-8L |
| C708    | 4030006860 | S.CERAMIC   | C1608 JB 1H 102K-T |
| C709    | 4030006880 | S.CERAMIC   | C1608 JB 1H 472K-T |
| C751    | 4030006860 | S.CERAMIC   | C1608 JB 1H 102K-T |
| C752    | 4030006860 | S.CERAMIC   | C1608 JB 1H 102K-T |
| C753    | 4030006880 | S.CERAMIC   | C1608 JB 1H 472K-T |
| C754    | 4030011600 | S.CERAMIC   | C1608 JB 1E 104K-T |
| C755    | 4030006880 | S.CERAMIC   | C1608 JB 1H 472K-T |
| C756    | 4030007060 | S.CERAMIC   | C1608 CH 1H 270J-T |
| C757    | 4030009920 | S.CERAMIC   | C1608 CH 1H 050B-T |
| C758    | 4030007060 | S.CERAMIC   | C1608 CH 1H 270J-T |
| C759    | 4030011340 | S.CERAMIC   | C1608 CH 1H 471J-T |
| C800    | 4030006980 | S.CERAMIC   | C1608 CH 1H 070D-T |
| C801    | 4030006860 | S.CERAMIC   | C1608 JB 1H 102K-T |
| C802    | 4030007040 | S.CERAMIC   | C1608 CH 1H 180J-T |
| C803    | 4030007100 | S.CERAMIC   | C1608 CH 1H 560J-T |
| C810    | 4030006860 | S.CERAMIC   | C1608 JB 1H 102K-T |
| C811    | 4030006880 | S.CERAMIC   | C1608 JB 1H 472K-T |
| C812    | 4030007120 | S.CERAMIC   | C1608 CH 1H 820J-T |
| C813    | 4030007010 | S.CERAMIC   | C1608 CH 1H 100D-T |
| C814    | 4030006880 | S.CERAMIC   | C1608 JB 1H 472K-T |
| C815    | 4030006860 | S.CERAMIC   | C1608 JB 1H 102K-T |
| C816    | 4030006880 | S.CERAMIC   | C1608 JB 1H 472K-T |
| C830    | 4030006860 | S.CERAMIC   | C1608 JB 1H 102K-T |
| C831    | 4030006880 | S.CERAMIC   | C1608 JB 1H 472K-T |
| C832    | 4030006880 | S.CERAMIC   | C1608 JB 1H 472K-T |
| C833    | 4030007030 | S.CERAMIC   | C1608 CH 1H 150J-T |
| C834    | 4030006880 | S.CERAMIC   | C1608 JB 1H 472K-T |
| C835    | 4030006880 | S.CERAMIC   | C1608 JB 1H 472K-T |
| C836    | 4030007030 | S.CERAMIC   | C1608 CH 1H 150J-T |
| C837    | 4030006880 | S.CERAMIC   | C1608 JB 1H 472K-T |
| C838    | 4030011600 | S.CERAMIC   | C1608 JB 1E 104K-T |
| C839    | 4030006860 | S.CERAMIC   | C1608 JB 1H 102K-T |
| C840    | 4030006860 | S.CERAMIC   | C1608 JB 1H 102K-T |
| C842    | 4030007070 | S.CERAMIC   | C1608 CH 1H 330J-T |
| C844    | 4030006860 | S.CERAMIC   | C1608 JB 1H 102K-T |
| C850    | 4030009530 | S.CERAMIC   | C1608 CH 1H 030B-T |
| C851    | 4030006880 | S.CERAMIC   | C1608 JB 1H 472K-T |
| C852    | 4030006880 | S.CERAMIC   | C1608 JB 1H 472K-T |
| C853    | 4030006990 | S.CERAMIC   | C1608 CH 1H 080D-T |
| C861    | 4030011600 | S.CERAMIC   | C1608 JB 1E 104K-T |
| C881    | 4030006860 | S.CERAMIC   | C1608 JB 1H 102K-T |
| C882    | 4030006880 | S.CERAMIC   | C1608 JB 1H 472K-T |
| C883    | 4030007030 | S.CERAMIC   | C1608 CH 1H 150J-T |

Ⓑ: [EUR], [EUR-1], [ESP], [ESP-1], [OTH], [OTH-1]  
 Ⓓ: [ESP], [ESP-1], [KOR], [KOR-1], [ITA], [ITA-1]  
 Ⓔ: [FRA], [FRA-1], [ESP], [ESP-1], [OTH], [OTH-1], [ITA], [ITA-1]

S.=Surface mount

**[MAIN UNIT]**

| REF NO. | ORDER NO.  | DESCRIPTION    |                    |
|---------|------------|----------------|--------------------|
| C884    | 4030011600 | S.CERAMIC      | C1608 JB 1E 104K-T |
| C885    | 4030006880 | S.CERAMIC      | C1608 JB 1H 472K-T |
| C886    | 4030007030 | S.CERAMIC      | C1608 CH 1H 150J-T |
| C887    | 4030006880 | S.CERAMIC      | C1608 JB 1H 472K-T |
| C888    | 4030006880 | S.CERAMIC      | C1608 JB 1H 472K-T |
| C889    | 4030006860 | S.CERAMIC      | C1608 JB 1H 102K-T |
| C901    | 4030006880 | S.CERAMIC      | C1608 JB 1H 472K-T |
| C903    | 4030011340 | S.CERAMIC      | C1608 CH 1H 471J-T |
| C904    | 4030007130 | S.CERAMIC      | C1608 CH 1H 101J-T |
| C1002   | 4510004640 | S.ELECTROLYTIC | ECEV1CA470SP       |
| C1003   | 4510004440 | S.ELECTROLYTIC | ECEV1HA010SR       |
| C1004   | 4030011340 | S.CERAMIC      | C1608 CH 1H 471J-T |
| C1005   | 4030006870 | S.CERAMIC      | C1608 JB 1H 222K-T |
| C1006   | 4030006880 | S.CERAMIC      | C1608 JB 1H 472K-T |
| C1051   | 4030011600 | S.CERAMIC      | C1608 JB 1E 104K-T |
| C1052   | 4030007100 | S.CERAMIC      | C1608 CH 1H 560J-T |
| C1053   | 4030011600 | S.CERAMIC      | C1608 JB 1E 104K-T |
| C1055   | 4030011600 | S.CERAMIC      | C1608 JB 1E 104K-T |
| C1056   | 4030011600 | S.CERAMIC      | C1608 JB 1E 104K-T |
| C1058   | 4030011600 | S.CERAMIC      | C1608 JB 1E 104K-T |
| C1059   | 4030011600 | S.CERAMIC      | C1608 JB 1E 104K-T |
| C1101   | 4030006880 | S.CERAMIC      | C1608 JB 1H 472K-T |
| C1102   | 4030011600 | S.CERAMIC      | C1608 JB 1E 104K-T |
| C1104   | 4030011600 | S.CERAMIC      | C1608 JB 1E 104K-T |
| C1105   | 4030006880 | S.CERAMIC      | C1608 JB 1H 472K-T |
| C1106   | 4030006880 | S.CERAMIC      | C1608 JB 1H 472K-T |
| C1108   | 4030011600 | S.CERAMIC      | C1608 JB 1E 104K-T |
| C1109   | 4030011600 | S.CERAMIC      | C1608 JB 1E 104K-T |
| C1201   | 4030011600 | S.CERAMIC      | C1608 JB 1E 104K-T |
| C1202   | 4030006880 | S.CERAMIC      | C1608 JB 1H 472K-T |
| C1203   | 4030011600 | S.CERAMIC      | C1608 JB 1E 104K-T |
| C1251   | 4030011600 | S.CERAMIC      | C1608 JB 1E 104K-T |
| C1252   | 4550006250 | S.TANTALUM     | TEMSVA 1A 106M-8L  |
| C1303   | 4030006880 | S.CERAMIC      | C1608 JB 1H 472K-T |
| C1321   | 4030011600 | S.CERAMIC      | C1608 JB 1E 104K-T |
| C1322   | 4030011600 | S.CERAMIC      | C1608 JB 1E 104K-T |
| C1341   | 4030011600 | S.CERAMIC      | C1608 JB 1E 104K-T |
| C1342   | 4030011600 | S.CERAMIC      | C1608 JB 1E 104K-T |
| C1361   | 4030011600 | S.CERAMIC      | C1608 JB 1E 104K-T |
| C1362   | 4030011600 | S.CERAMIC      | C1608 JB 1E 104K-T |
| C1381   | 4030011600 | S.CERAMIC      | C1608 JB 1E 104K-T |
| C1382   | 4030011600 | S.CERAMIC      | C1608 JB 1E 104K-T |
| C1383   | 4030011600 | S.CERAMIC      | C1608 JB 1E 104K-T |
| C1401   | 4030006880 | S.CERAMIC      | C1608 JB 1H 472K-T |
| C1402   | 4030006880 | S.CERAMIC      | C1608 JB 1H 472K-T |
| C1403   | 4030011600 | S.CERAMIC      | C1608 JB 1E 104K-T |
| C1404   | 4030011600 | S.CERAMIC      | C1608 JB 1E 104K-T |
| C1405   | 4030006880 | S.CERAMIC      | C1608 JB 1H 472K-T |
| C1406   | 4030011600 | S.CERAMIC      | C1608 JB 1E 104K-T |
| C1407   | 4030006880 | S.CERAMIC      | C1608 JB 1H 472K-T |
| C1408   | 4030006880 | S.CERAMIC      | C1608 JB 1H 472K-T |
| C1409   | 4030006880 | S.CERAMIC      | C1608 JB 1H 472K-T |
| C1410   | 4030006880 | S.CERAMIC      | C1608 JB 1H 472K-T |
| C1411   | 4030011600 | S.CERAMIC      | C1608 JB 1E 104K-T |
| C1412   | 4550006150 | S.TANTALUM     | ECST1CY105R        |
| C1413   | 4510004440 | S.ELECTROLYTIC | ECEV1HA010SR       |
| C1415   | 4030011600 | S.CERAMIC      | C1608 JB 1E 104K-T |
| C1416   | 4030006860 | S.CERAMIC      | C1608 JB 1H 102K-T |
| C1601   | 4030010210 | S.CERAMIC      | C3216 JB 1C 105M-T |
| C1602   | 4510004630 | S.ELECTROLYTIC | ECEV1CA100SR       |
| C1606   | 4030011600 | S.CERAMIC      | C1608 JB 1E 104K-T |
| C1607   | 4510004440 | S.ELECTROLYTIC | ECEV1HA010SR       |
| C1608   | 4510004630 | S.ELECTROLYTIC | ECEV1CA100SR       |
| C1609   | 4030011600 | S.CERAMIC      | C1608 JB 1E 104K-T |
| C1610   | 4510004630 | S.ELECTROLYTIC | ECEV1CA100SR       |
| C1611   | 4510004440 | S.ELECTROLYTIC | ECEV1HA010SR       |
| C1621   | 4030008910 | S.CERAMIC      | C1608 JB 1H 393K-T |
| C1622   | 4030011600 | S.CERAMIC      | C1608 JB 1E 104K-T |
| C1641   | 4510004440 | S.ELECTROLYTIC | ECEV1HA010SR       |
| C1642   | 4030011600 | S.CERAMIC      | C1608 JB 1E 104K-T |
| C1645   | 4030011600 | S.CERAMIC      | C1608 JB 1E 104K-T |
| C1646   | 4030011600 | S.CERAMIC      | C1608 JB 1E 104K-T |
| C1647   | 4030011600 | S.CERAMIC      | C1608 JB 1E 104K-T |
| C1661   | 4030011600 | S.CERAMIC      | C1608 JB 1E 104K-T |
| C1662   | 4030007130 | S.CERAMIC      | C1608 CH 1H 101J-T |
| C1663   | 4030011600 | S.CERAMIC      | C1608 JB 1E 104K-T |
| C1664   | 4030011600 | S.CERAMIC      | C1608 JB 1E 104K-T |
| C1681   | 4510004440 | S.ELECTROLYTIC | ECEV1HA010SR       |

- Ⓐ: [EUR], [EUR-1], [USA], [USA-1], [KOR], [KOR-1]
- Ⓒ: [FRA], [FRA-1], [ITA], [ITA-1]
- Ⓔ: [FRA], [FRA-1], [ESP], [ESP-1], [KOR], [KOR-1], [ITA], [ITA-1]

**[MAIN UNIT]**

| REF NO. | ORDER NO.  | DESCRIPTION    |                    |
|---------|------------|----------------|--------------------|
| C1682   | 4030011340 | S.CERAMIC      | C1608 CH 1H 471J-T |
| C1701   | 4510004630 | S.ELECTROLYTIC | ECEV1CA100SR       |
| C1702   | 4030011600 | S.CERAMIC      | C1608 JB 1E 104K-T |
| C1703   | 4030012610 | S.CERAMIC      | C2012 JB 1C 474K-T |
| C1721   | 4510004440 | S.ELECTROLYTIC | ECEV1HA010SR       |
| C1722   | 4510004440 | S.ELECTROLYTIC | ECEV1HA010SR       |
| C1723   | 4510004440 | S.ELECTROLYTIC | ECEV1HA010SR       |
| C1751   | 4030011600 | S.CERAMIC      | C1608 JB 1E 104K-T |
| C1752   | 4030006880 | S.CERAMIC      | C1608 JB 1H 472K-T |
| C1801   | 4510005860 | S.ELECTROLYTIC | ECEV1HA2R2SR       |
| C1802   | 4030011600 | S.CERAMIC      | C1608 JB 1E 104K-T |
| C1805   | 4030011600 | S.CERAMIC      | C1608 JB 1E 104K-T |
| C1806   | 4030011600 | S.CERAMIC      | C1608 JB 1E 104K-T |
| C1807   | 4510004630 | S.ELECTROLYTIC | ECEV1CA100SR       |
| C1808   | 4030011600 | S.CERAMIC      | C1608 JB 1E 104K-T |
| C1809   | 4510004440 | S.ELECTROLYTIC | ECEV1HA010SR       |
| C1851   | 4510004630 | S.ELECTROLYTIC | ECEV1CA100SR       |
| C1852   | 4550006560 | S.TANTALUM     | ECST1CY225R        |
| C1901   | 4030011600 | S.CERAMIC      | C1608 JB 1E 104K-T |
| C1902   | 4030007130 | S.CERAMIC      | C1608 CH 1H 101J-T |
| C1903   | 4030011600 | S.CERAMIC      | C1608 JB 1E 104K-T |
| C1904   | 4030011600 | S.CERAMIC      | C1608 JB 1E 104K-T |
| C1905   | 4030011600 | S.CERAMIC      | C1608 JB 1E 104K-T |
| C1906   | 4510004630 | S.ELECTROLYTIC | ECEV1CA100SR       |
| C1907   | 4030011600 | S.CERAMIC      | C1608 JB 1E 104K-T |
| C1908   | 4030011600 | S.CERAMIC      | C1608 JB 1E 104K-T |
| C1909   | 4030011600 | S.CERAMIC      | C1608 JB 1E 104K-T |
| C1910   | 4510004630 | S.ELECTROLYTIC | ECEV1CA100SR       |
| C2001   | 4030006880 | S.CERAMIC      | C1608 JB 1H 472K-T |
| C2002   | 4030011600 | S.CERAMIC      | C1608 JB 1E 104K-T |
| C2003   | 4030006880 | S.CERAMIC      | C1608 JB 1H 472K-T |
| C2004   | 4030006880 | S.CERAMIC      | C1608 JB 1H 472K-T |
| C2005   | 4510005870 | S.ELECTROLYTIC | ECEV1HA3R3SR       |
| C2101   | 4030011600 | S.CERAMIC      | C1608 JB 1E 104K-T |
| C2102   | 4030011600 | S.CERAMIC      | C1608 JB 1E 104K-T |
| C2103   | 4510004630 | S.ELECTROLYTIC | ECEV1CA100SR       |
| C2104   | 4030011600 | S.CERAMIC      | C1608 JB 1E 104K-T |
| C2105   | 4030007170 | S.CERAMIC      | C1608 CH 1H 221J-T |
| C2106   | 4030007170 | S.CERAMIC      | C1608 CH 1H 221J-T |
| C2107   | 4030006900 | S.CERAMIC      | C1608 JB 1H 103K-T |
| C2109   | 4030011600 | S.CERAMIC      | C1608 JB 1E 104K-T |
| C2110   | 4030007130 | S.CERAMIC      | C1608 CH 1H 101J-T |
| C2151   | 4030011600 | S.CERAMIC      | C1608 JB 1E 104K-T |
| C2152   | 4030006900 | S.CERAMIC      | C1608 JB 1H 103K-T |
| C2153   | 4030006900 | S.CERAMIC      | C1608 JB 1H 103K-T |
| C2154   | 4030011600 | S.CERAMIC      | C1608 JB 1E 104K-T |
| C2201   | 4030011600 | S.CERAMIC      | C1608 JB 1E 104K-T |
| C2202   | 4030011600 | S.CERAMIC      | C1608 JB 1E 104K-T |
| C2203   | 4030011600 | S.CERAMIC      | C1608 JB 1E 104K-T |
| C2204   | 4030011600 | S.CERAMIC      | C1608 JB 1E 104K-T |
| C2221   | 4030011600 | S.CERAMIC      | C1608 JB 1E 104K-T |
| C2222   | 4030011600 | S.CERAMIC      | C1608 JB 1E 104K-T |
| C2301   | 4510004630 | S.ELECTROLYTIC | ECEV1CA100SR       |
| C2302   | 4030011600 | S.CERAMIC      | C1608 JB 1E 104K-T |
| C2401   | 4030006880 | S.CERAMIC      | C1608 JB 1H 472K-T |
| C2402   | 4030006870 | S.CERAMIC      | C1608 JB 1H 222K-T |
| C2403   | 4510004630 | S.ELECTROLYTIC | ECEV1CA100SR       |
| C2451   | 4030011600 | S.CERAMIC      | C1608 JB 1E 104K-T |
| C2452   | 4030011600 | S.CERAMIC      | C1608 JB 1E 104K-T |
| C2499   | 4030011600 | S.CERAMIC      | C1608 JB 1E 104K-T |
| C2501   | 4030007150 | S.CERAMIC      | C1608 CH 1H 151J-T |
| C2502   | 4030007130 | S.CERAMIC      | C1608 CH 1H 101J-T |
| C2503   | 4030006880 | S.CERAMIC      | C1608 JB 1H 472K-T |
| C2504   | 4510005870 | S.ELECTROLYTIC | ECEV1HA3R3SR       |
| C2505   | 4510004630 | S.ELECTROLYTIC | ECEV1CA100SR       |
| C2551   | 4030006880 | S.CERAMIC      | C1608 JB 1H 472K-T |
| C2601   | 4030011600 | S.CERAMIC      | C1608 JB 1E 104K-T |
| C2602   | 4030011600 | S.CERAMIC      | C1608 JB 1E 104K-T |
| C2604   | 4030011600 | S.CERAMIC      | C1608 JB 1E 104K-T |
| C2605   | 4030011600 | S.CERAMIC      | C1608 JB 1E 104K-T |
| C2606   | 4030006860 | S.CERAMIC      | C1608 JB 1H 102K-T |
| C2607   | 4030006870 | S.CERAMIC      | C1608 JB 1H 222K-T |
| C2608   | 4030007140 | S.CERAMIC      | C1608 CH 1H 121J-T |
| C2651   | 4030011600 | S.CERAMIC      | C1608 JB 1E 104K-T |
| C2652   | 4030010210 | S.CERAMIC      | C3216 JB 1C 105M-T |
| C2701   | 4030007050 | S.CERAMIC      | C1608 CH 1H 220J-T |
| C2702   | 4510004630 | S.ELECTROLYTIC | ECEV1CA100SR       |
| C2704   | 4030011600 | S.CERAMIC      | C1608 JB 1E 104K-T |

- Ⓑ: [EUR], [EUR-1], [ESP], [ESP-1], [OTH], [OTH-1]
- Ⓓ: [ESP], [ESP-1], [KOR], [KOR-1], [ITA], [ITA-1]
- Ⓕ: [FRA], [FRA-1], [ESP], [ESP-1], [OTH], [OTH-1], [ITA], [ITA-1]

S.=Surface mount



[MAIN UNIT]

| REF NO. | ORDER NO.  | DESCRIPTION                   |          |
|---------|------------|-------------------------------|----------|
| C7210   | 4550006080 | S.TANTALUM TEMSVB2 1C 106M-8L |          |
| C7211   | 4510004630 | S.ELECTROLYTIC ECEV1CA100SR   |          |
| C7301   | 4510004630 | S.ELECTROLYTIC ECEV1CA100SR   |          |
| C7302   | 4510004630 | S.ELECTROLYTIC ECEV1CA100SR   |          |
| C7303   | 4510004630 | S.ELECTROLYTIC ECEV1CA100SR   |          |
| C7304   | 4030011600 | S.CERAMIC C1608 JB 1E 104K-T  |          |
| C7305   | 4510004590 | ELECTROLYTIC 16 MV 470 HC     |          |
| C7306   | 4510007470 | ELECTROLYTIC 16 MV 1000 CA    |          |
| C7307   | 4030011600 | S.CERAMIC C1608 JB 1E 104K-T  |          |
| C7308   | 4510004590 | ELECTROLYTIC 16 MV 470 HC     |          |
| C7351   | 4510004590 | ELECTROLYTIC 16 MV 470 HC     |          |
| C7371   | 4510007470 | ELECTROLYTIC 16 MV 1000 CA    |          |
| C7372   | 4030006880 | S.CERAMIC C1608 JB 1H 472K-T  |          |
| C7373   | 4030006880 | S.CERAMIC C1608 JB 1H 472K-T  |          |
| C7374   | 4510004440 | S.ELECTROLYTIC ECEV1HA010SR   |          |
| C9001   | 4030011600 | S.CERAMIC C1608 JB 1E 104K-T  |          |
| C9002   | 4030006880 | S.CERAMIC C1608 JB 1H 472K-T  |          |
| C9003   | 4510004640 | S.ELECTROLYTIC ECEV1CA470SP   |          |
| C9004   | 4030011600 | S.CERAMIC C1608 JB 1E 104K-T  |          |
| C9005   | 4030011600 | S.CERAMIC C1608 JB 1E 104K-T  |          |
| C9023   | 4030007000 | S.CERAMIC C1608 CH 1H 090D-T  |          |
| C9024   | 4030007040 | S.CERAMIC C1608 CH 1H 180J-T  |          |
| C9025   | 4030007000 | S.CERAMIC C1608 CH 1H 090D-T  |          |
| C9051   | 4030011600 | S.CERAMIC C1608 JB 1E 104K-T  |          |
| C9052   | 4030011600 | S.CERAMIC C1608 JB 1E 104K-T  |          |
| C9053   | 4030007130 | S.CERAMIC C1608 CH 1H 101J-T  |          |
| C9054   | 4030009970 | S.CERAMIC C1608 JB 1H 182K-T  |          |
| C9055   | 4030007120 | S.CERAMIC C1608 CH 1H 820J-T  |          |
| C9056   | 4030009970 | S.CERAMIC C1608 JB 1H 182K-T  |          |
| C9101   | 4030006880 | S.CERAMIC C1608 JB 1H 472K-T  |          |
| C9102   | 4030007130 | S.CERAMIC C1608 CH 1H 101J-T  |          |
| C9103   | 4030006850 | S.CERAMIC C1608 JB 1H 471K-T  |          |
| C9104   | 4030011600 | S.CERAMIC C1608 JB 1E 104K-T  |          |
| C9105   | 4510004590 | ELECTROLYTIC 16 MV 470 HC     |          |
| C9106   | 4030011600 | S.CERAMIC C1608 JB 1E 104K-T  |          |
| C9107   | 4030011600 | S.CERAMIC C1608 JB 1E 104K-T  |          |
| C9151   | 4550006250 | S.TANTALUM TEMSVA 1A 106M-8L  |          |
| C9152   | 4550006590 | S.TANTALUM ECST1CY684R        |          |
| C9153   | 4340000260 | S.MYLAR ECPU 1C 104MA5        |          |
| C9201   | 4030011340 | S.CERAMIC C1608 CH 1H 471J-T  |          |
| C9202   | 4610001830 | S.TRIMMER TZB4S100AB10R00     |          |
| C9203   | 4030011770 | S.CERAMIC C1608 CH 1H 060B-T  |          |
| C9204   | 4340000050 | S.MYLAR ECH-U 1C472JB5        |          |
| C9206   | 4340000050 | S.MYLAR ECH-U 1C472JB5        |          |
| C9207   | 4030011340 | S.CERAMIC C1608 CH 1H 471J-T  |          |
| C9209   | 4550006250 | S.TANTALUM TEMSVA 1A 106M-8L  |          |
| C9210   | 4030009510 | S.CERAMIC C1608 CH 1H 010B-T  |          |
| C9211   | 4030006880 | S.CERAMIC C1608 JB 1H 472K-T  | (A) only |
| C9212   | 4030006880 | S.CERAMIC C1608 JB 1H 472K-T  | (A) only |
| C9213   | 4030011600 | S.CERAMIC C1608 JB 1E 104K-T  |          |
| C9221   | 4550006080 | S.TANTALUM TEMSVB2 1C 106M-8L |          |
| C9251   | 4030007110 | S.CERAMIC C1608 CH 1H 680J-T  | (A) only |
| C9252   | 4610001830 | S.TRIMMER TZB4S100AB10R00     | (A) only |
| C9254   | 4340000050 | S.MYLAR ECH-U 1C472JB5        | (A) only |
| C9256   | 4340000050 | S.MYLAR ECH-U 1C472JB5        | (A) only |
| C9257   | 4030011340 | S.CERAMIC C1608 CH 1H 471J-T  | (A) only |
| C9259   | 4550006250 | S.TANTALUM TEMSVA 1A 106M-8L  | (A) only |
| C9260   | 4030009510 | S.CERAMIC C1608 CH 1H 010B-T  | (A) only |
| C9261   | 4030006880 | S.CERAMIC C1608 JB 1H 472K-T  | (A) only |
| C9262   | 4030006880 | S.CERAMIC C1608 JB 1H 472K-T  | (A) only |
| C9263   | 4030011600 | S.CERAMIC C1608 JB 1E 104K-T  | (A) only |
| C9301   | 4030006880 | S.CERAMIC C1608 JB 1H 472K-T  | (A) only |
| C9302   | 4030006880 | S.CERAMIC C1608 JB 1H 472K-T  |          |
| C9303   | 4030006880 | S.CERAMIC C1608 JB 1H 472K-T  |          |
| C9304   | 4030011600 | S.CERAMIC C1608 JB 1E 104K-T  |          |
| C9351   | 4030007090 | S.CERAMIC C1608 CH 1H 470J-T  |          |
| C9401   | 4030007060 | S.CERAMIC C1608 CH 1H 270J-T  |          |
| C9402   | 4030007020 | S.CERAMIC C1608 CH 1H 120J-T  |          |
| C9403   | 4030007070 | S.CERAMIC C1608 CH 1H 330J-T  |          |
| C9404   | 4030006950 | S.CERAMIC C1608 CH 1H 040C-T  |          |
| C9405   | 4030007040 | S.CERAMIC C1608 CH 1H 180J-T  |          |
| C9406   | 4030007020 | S.CERAMIC C1608 CH 1H 120J-T  | (A) only |
| C9407   | 4030007110 | S.CERAMIC C1608 CH 1H 680J-T  |          |
| C9408   | 4030007140 | S.CERAMIC C1608 CH 1H 121J-T  |          |
| C9409   | 4030007110 | S.CERAMIC C1608 CH 1H 680J-T  |          |
| C9501   | 4510004630 | S.ELECTROLYTIC ECEV1CA100SR   |          |
| C9502   | 4030011600 | S.CERAMIC C1608 JB 1E 104K-T  |          |
| C9503   | 4030006880 | S.CERAMIC C1608 JB 1H 472K-T  |          |

[MAIN UNIT]

| REF NO. | ORDER NO.  | DESCRIPTION                    |          |
|---------|------------|--------------------------------|----------|
| C9504   | 4030006880 | S.CERAMIC C1608 JB 1H 472K-T   |          |
| C9521   | 4030006980 | S.CERAMIC C1608 CH 1H 070D-T   |          |
| C9522   | 4030009520 | S.CERAMIC C1608 CH 1H 020B-T   |          |
| C9523   | 4030007010 | S.CERAMIC C1608 CH 1H 100D-T   |          |
| C9524   | 4030009560 | S.CERAMIC C1608 CH 1H R75B-T   |          |
| C9525   | 4030006990 | S.CERAMIC C1608 CH 1H 080D-T   |          |
| C9526   | 4030006880 | S.CERAMIC C1608 JB 1H 472K-T   |          |
| C9527   | 4030011600 | S.CERAMIC C1608 JB 1E 104K-T   |          |
| C9528   | 4030007000 | S.CERAMIC C1608 CH 1H 090D-T   |          |
| C9529   | 4030007040 | S.CERAMIC C1608 CH 1H 180J-T   |          |
| C9530   | 4030007000 | S.CERAMIC C1608 CH 1H 090D-T   |          |
| C9601   | 4030006880 | S.CERAMIC C1608 JB 1H 472K-T   |          |
| C9602   | 4510004630 | S.ELECTROLYTIC ECEV1CA100SR    |          |
| C9604   | 4550006620 | S.TANTALUM ECST0JY226R         |          |
| C9605   | 4030006880 | S.CERAMIC C1608 JB 1H 472K-T   |          |
| C9606   | 4510004630 | S.ELECTROLYTIC ECEV1CA100SR    |          |
| C9607   | 4030006880 | S.CERAMIC C1608 JB 1H 472K-T   |          |
| C9608   | 4340000050 | S.MYLAR ECH-U 1C472JB5         |          |
| C9610   | 4550006620 | S.TANTALUM ECST0JY226R         |          |
| C9620   | 4030007050 | S.CERAMIC C1608 CH 1H 220J-T   |          |
| C9621   | 4510004440 | S.ELECTROLYTIC ECEV1HA010SR    |          |
| C9622   | 4030009910 | S.CERAMIC C1608 CH 1H 040B-T   |          |
| C9623   | 4030007100 | S.CERAMIC C1608 CH 1H 560J-T   |          |
| C9624   | 4030007090 | S.CERAMIC C1608 CH 1H 470J-T   |          |
| C9625   | 4030011770 | S.CERAMIC C1608 CH 1H 060B-T   |          |
| C9626   | 4030007020 | S.CERAMIC C1608 CH 1H 120J-T   |          |
| C9627   | 4030007020 | S.CERAMIC C1608 CH 1H 120J-T   |          |
| C9629   | 4340000050 | S.MYLAR ECH-U 1C472JB5         |          |
| C9630   | 4550006150 | S.TANTALUM ECST1CY105R         |          |
| C9632   | 4030009510 | S.CERAMIC C1608 CH 1H 010B-T   |          |
| C9651   | 4030006880 | S.CERAMIC C1608 JB 1H 472K-T   |          |
| C9652   | 4030006880 | S.CERAMIC C1608 JB 1H 472K-T   |          |
| C9653   | 4030006860 | S.CERAMIC C1608 JB 1H 102K-T   |          |
| C9654   | 4030007060 | S.CERAMIC C1608 CH 1H 270J-T   |          |
| C9655   | 4030007050 | S.CERAMIC C1608 CH 1H 220J-T   |          |
| C9673   | 4030007090 | S.CERAMIC C1608 CH 1H 470J-T   |          |
| C9675   | 4030007090 | S.CERAMIC C1608 CH 1H 470J-T   |          |
| C9681   | 4510004630 | S.ELECTROLYTIC ECEV1CA100SR    |          |
| C9682   | 4510004630 | S.ELECTROLYTIC ECEV1CA100SR    |          |
| C9683   | 4030011600 | S.CERAMIC C1608 JB 1E 104K-T   |          |
| C9684   | 4030011600 | S.CERAMIC C1608 JB 1E 104K-T   |          |
| C9685   | 4510004630 | S.ELECTROLYTIC ECEV1CA100SR    |          |
| C9687   | 4030006860 | S.CERAMIC C1608 JB 1H 102K-T   |          |
| C9691   | 4030011600 | S.CERAMIC C1608 JB 1E 104K-T   | (A) only |
| C9701   | 4030011600 | S.CERAMIC C1608 JB 1E 104K-T   |          |
| C9702   | 4030006880 | S.CERAMIC C1608 JB 1H 472K-T   |          |
| C9703   | 4510004640 | S.ELECTROLYTIC ECEV1CA470SP    |          |
| C9704   | 4030011600 | S.CERAMIC C1608 JB 1E 104K-T   |          |
| C9751   | 4030011600 | S.CERAMIC C1608 JB 1E 104K-T   |          |
| C9753   | 4030011600 | S.CERAMIC C1608 JB 1E 104K-T   |          |
| C9754   | 4030010760 | S.CERAMIC C1608 CH 1H 331J-T   |          |
| C9756   | 4030010760 | S.CERAMIC C1608 CH 1H 331J-T   |          |
| C9801   | 4030011600 | S.CERAMIC C1608 JB 1E 104K-T   |          |
| C9901   | 4510004630 | S.ELECTROLYTIC ECEV1CA100SR    |          |
| C9902   | 4030011600 | S.CERAMIC C1608 JB 1E 104K-T   |          |
| C9903   | 4510004630 | S.ELECTROLYTIC ECEV1CA100SR    |          |
| C9904   | 4030011600 | S.CERAMIC C1608 JB 1E 104K-T   |          |
| C9921   | 4550006770 | S.TANTALUM TEMSVD2 1C 476M-12R |          |
| C9922   | 4030011600 | S.CERAMIC C1608 JB 1E 104K-T   |          |
| C9923   | 4510004630 | S.ELECTROLYTIC ECEV1CA100SR    |          |
| C9924   | 4030011600 | S.CERAMIC C1608 JB 1E 104K-T   |          |
| C9941   | 4510004630 | S.ELECTROLYTIC ECEV1CA100SR    |          |
| C9942   | 4030011600 | S.CERAMIC C1608 JB 1E 104K-T   |          |
| C9943   | 4030011600 | S.CERAMIC C1608 JB 1E 104K-T   |          |
| C9944   | 4510004630 | S.ELECTROLYTIC ECEV1CA100SR    |          |
| C9961   | 4510004590 | ELECTROLYTIC 16 MV 470 HC      |          |
| C9962   | 4030011600 | S.CERAMIC C1608 JB 1E 104K-T   |          |
| C9963   | 4030011600 | S.CERAMIC C1608 JB 1E 104K-T   |          |
| C9964   | 4510004590 | ELECTROLYTIC 16 MV 470 HC      |          |
| CP2711  | 6910009670 | S.CHECK P HK3-S-T              |          |
| J1      | 6510007020 | CONNECTOR TMP-J01X-V6          |          |
| J2      | 6510007020 | CONNECTOR TMP-J01X-V6          |          |
| J2451   | 6510018970 | S.CONNECTOR B4B-PH-SM3-TB      |          |
| J2453   | 6510022620 | S.CONNECTOR 10FMN-BMTR-A-TBT   |          |

(A): [EUR], [EUR-1], [USA], [USA-1], [KOR], [KOR-1]  
 (C): [FRA], [FRA-1], [ITA], [ITA-1]  
 (E): [FRA], [FRA-1], [ESP], [ESP-1], [KOR], [KOR-1], [ITA], [ITA-1]

(B): [EUR], [EUR-1], [ESP], [ESP-1], [OTH], [OTH-1]  
 (D): [ESP], [ESP-1], [KOR], [KOR-1], [ITA], [ITA-1]  
 (E): [FRA], [FRA-1], [ESP], [ESP-1], [OTH], [OTH-1], [ITA], [ITA-1]

S.=Surface mount

[MAIN UNIT]

| REF NO. | ORDER NO.  | DESCRIPTION |                         |
|---------|------------|-------------|-------------------------|
| J5101   | 6510023460 | S.CONNETOR  | 08FMN-BMTTR-A-TBT       |
| J5901   | 6510022620 | S.CONNECTOR | 10FMN-BMTTR-A-TBT       |
| J6701   | 6510022650 | S.CONNECTOR | 18FMN-BMTTR-A-TBT       |
| J6751   | 6510022650 | S.CONNECTOR | 18FMN-BMTTR-A-TBT       |
| J6801   | 6510016170 | CONNECTOR   | 52018-8835              |
| J6851   | 6450001840 | CONNECTOR   | TCS7568-43-201          |
| J6901   | 6450000140 | CONNECTOR   | HSJ0807-01-010          |
| J6921   | 6450001790 | CONNECTOR   | HLJ7000-01-3010         |
| J6951   | 6450001640 | CONNECTOR   | TCS5044-01-4111         |
| J7121   | 6510019190 | S.CONNECTOR | 52365-0891              |
| J7371   | 6450000140 | CONNECTOR   | HSJ0807-01-010          |
| J7372   | 6510018960 | S.CONNECTOR | B2B-PH-SM3-TB           |
| W1      | 7030003860 | S.JUMPER    | ERJ3GE JPW V            |
| W3      | 7030003860 | S.JUMPER    | ERJ3GE JPW V            |
| W5      | 7030003860 | S.JUMPER    | ERJ3GE JPW V            |
| W106    | 7030003860 | S.JUMPER    | ERJ3GE JPW V            |
| W108    | 7030003860 | S.JUMPER    | ERJ3GE JPW V            |
| W311    | 7030003860 | S.JUMPER    | ERJ3GE JPW V            |
| W401    | 7030003860 | S.JUMPER    | ERJ3GE JPW V            |
| W830    | 7030010250 | S.JUMPER    | ERJ1TYJ 0R00U           |
| W831    | 7030003860 | S.JUMPER    | ERJ3GE JPW V            |
| W901    | 7030000010 | S.JUMPER    | MCR10EZHJ JPW (000)     |
| W1421   | 7030003860 | S.JUMPER    | ERJ3GE JPW V            |
| W1601   | 7030003860 | S.JUMPER    | ERJ3GE JPW V            |
| W1661   | 7030003860 | S.JUMPER    | ERJ3GE JPW V            |
| W1801   | 7030003860 | S.JUMPER    | ERJ3GE JPW V            |
| W1813   | 7030003860 | S.JUMPER    | ERJ3GE JPW V            |
| W1852   | 7030003860 | S.JUMPER    | ERJ3GE JPW V            |
| W2782   | 7030003860 | S.JUMPER    | ERJ3GE JPW V            |
| W2785   | 7030003860 | S.JUMPER    | ERJ3GE JPW V            |
| W4001   | 7030003860 | S.JUMPER    | ERJ3GE JPW V            |
| W4002   | 7030003860 | S.JUMPER    | ERJ3GE JPW V            |
| W6101   | 7030003860 | S.JUMPER    | ERJ3GE JPW V            |
| W9005   | 7030003860 | S.JUMPER    | ERJ3GE JPW V            |
| W9021   | 7030003860 | S.JUMPER    | ERJ3GE JPW V            |
| W9022   | 7030003860 | S.JUMPER    | ERJ3GE JPW V            |
| W9201   | 7030003860 | S.JUMPER    | ERJ3GE JPW V            |
| W9251   | 7030000010 | S.JUMPER    | MCR10EZHJ JPW (000)     |
| W9353   | 7030003860 | S.JUMPER    | ERJ3GE JPW V            |
| W9610   | 7030003860 | S.JUMPER    | ERJ3GE JPW V            |
| W9672   | 7030003860 | S.JUMPER    | ERJ3GE JPW V            |
| W9673   | 7030000010 | S.JUMPER    | MCR10EZHJ JPW (000)     |
| W9674   | 7030000010 | S.JUMPER    | MCR10EZHJ JPW (000)     |
| W9676   | 7030000010 | S.JUMPER    | MCR10EZHJ JPW (000)     |
| W9691   | 7030003860 | S.JUMPER    | ERJ3GE JPW V            |
| W9692   | 7030003860 | S.JUMPER    | ERJ3GE JPW V            |
| W9721   | 7030003860 | S.JUMPER    | ERJ3GE JPW V            |
| W9722   | 7030003860 | S.JUMPER    | ERJ3GE JPW V            |
| W9751   | 7030003860 | S.JUMPER    | ERJ3GE JPW V            |
| W9752   | 7030003860 | S.JUMPER    | ERJ3GE JPW V            |
| WS1     | 8970024110 | OTHER       | SX2591 Shield(B) (1)/MA |
| EP2     | 0910055866 | PCB         | B 5904F                 |
| EP101   | 6910012350 | S.BEAD      | MMZ1608Y 102BT          |
| EP801   | 6910012350 | S.BEAD      | MMZ1608Y 102BT          |
| EP812   | 6910012350 | S.BEAD      | MMZ1608Y 102BT          |
| EP831   | 6910012350 | S.BEAD      | MMZ1608Y 102BT          |
| EP901   | 6910012350 | S.BEAD      | MMZ1608Y 102BT          |
| EP5001  | 6910012350 | S.BEAD      | MMZ1608Y 102BT          |
| EP5002  | 6910012350 | S.BEAD      | MMZ1608Y 102BT          |
| EP5003  | 6910012350 | S.BEAD      | MMZ1608Y 102BT          |
| EP6756  | 6910012350 | S.BEAD      | MMZ1608Y 102BT          |
| EP6757  | 6910012350 | S.BEAD      | MMZ1608Y 102BT          |
| EP6801  | 6910012350 | S.BEAD      | MMZ1608Y 102BT          |
| EP6802  | 6910012350 | S.BEAD      | MMZ1608Y 102BT          |
| EP6803  | 6910012350 | S.BEAD      | MMZ1608Y 102BT          |
| EP6805  | 6910012350 | S.BEAD      | MMZ1608Y 102BT          |
| EP6806  | 6910012350 | S.BEAD      | MMZ1608Y 102BT          |
| EP6807  | 6910012350 | S.BEAD      | MMZ1608Y 102BT          |
| EP6821  | 6910012350 | S.BEAD      | MMZ1608Y 102BT          |
| EP6822  | 6910012350 | S.BEAD      | MMZ1608Y 102BT          |
| EP6823  | 6910012350 | S.BEAD      | MMZ1608Y 102BT          |
| EP6825  | 6910012350 | S.BEAD      | MMZ1608Y 102BT          |

Ⓐ: [EUR], [EUR-1], [USA], [USA-1], [KOR], [KOR-1]  
 Ⓒ: [FRA], [FRA-1], [ITA], [ITA-1]  
 Ⓔ: [FRA], [FRA-1], [ESP], [ESP-1], [KOR], [KOR-1], [ITA], [ITA-1]

[MAIN UNIT]

| REF NO. | ORDER NO.  | DESCRIPTION |                |
|---------|------------|-------------|----------------|
| EP6826  | 6910012350 | S.BEAD      | MMZ1608Y 102BT |
| EP6827  | 6910012350 | S.BEAD      | MMZ1608Y 102BT |
| EP6851  | 6910012350 | S.BEAD      | MMZ1608Y 102BT |
| EP6852  | 6910012350 | S.BEAD      | MMZ1608Y 102BT |
| EP6853  | 6910012350 | S.BEAD      | MMZ1608Y 102BT |
| EP6854  | 6910012350 | S.BEAD      | MMZ1608Y 102BT |
| EP6855  | 6910012350 | S.BEAD      | MMZ1608Y 102BT |
| EP6871  | 6910012350 | S.BEAD      | MMZ1608Y 102BT |
| EP6872  | 6910012350 | S.BEAD      | MMZ1608Y 102BT |
| EP6873  | 6910012350 | S.BEAD      | MMZ1608Y 102BT |
| EP6874  | 6910012350 | S.BEAD      | MMZ1608Y 102BT |
| EP6875  | 6910012350 | S.BEAD      | MMZ1608Y 102BT |
| EP6876  | 6910012350 | S.BEAD      | MMZ1608Y 102BT |
| EP6901  | 6910012350 | S.BEAD      | MMZ1608Y 102BT |
| EP6902  | 6910012350 | S.BEAD      | MMZ1608Y 102BT |
| EP6911  | 6910012350 | S.BEAD      | MMZ1608Y 102BT |
| EP6912  | 6910012350 | S.BEAD      | MMZ1608Y 102BT |
| EP6921  | 6910012350 | S.BEAD      | MMZ1608Y 102BT |
| EP6922  | 6910012350 | S.BEAD      | MMZ1608Y 102BT |
| EP6923  | 6910012350 | S.BEAD      | MMZ1608Y 102BT |
| EP6924  | 6910012350 | S.BEAD      | MMZ1608Y 102BT |
| EP6952  | 6910012350 | S.BEAD      | MMZ1608Y 102BT |
| EP6955  | 6910012350 | S.BEAD      | MMZ1608Y 102BT |
| EP6956  | 6910012350 | S.BEAD      | MMZ1608Y 102BT |
| EP6957  | 6910012350 | S.BEAD      | MMZ1608Y 102BT |
| EP6958  | 6910012350 | S.BEAD      | MMZ1608Y 102BT |
| EP6959  | 6910012350 | S.BEAD      | MMZ1608Y 102BT |
| EP6960  | 6910012350 | S.BEAD      | MMZ1608Y 102BT |
| EP6961  | 6910012350 | S.BEAD      | MMZ1608Y 102BT |

Ⓑ: [EUR], [EUR-1], [ESP], [ESP-1], [OTH], [OTH-1]  
 Ⓓ: [ESP], [ESP-1], [KOR], [KOR-1], [ITA], [ITA-1]  
 Ⓕ: [FRA], [FRA-1], [ESP], [ESP-1], [OTH], [OTH-1], [ITA], [ITA-1]

S.=Surface mount

# SECTION 6 MECHANICAL PARTS AND DISASSEMBLY

## [CHASSIS UNIT]

| REF. NO. | ORDER NO.   | DESCRIPTION                             | QTY. |
|----------|-------------|---|------|
| J1       | 6510000370  | Antenna connector MR-DS                 | 1    |
| W7       | 8900011980  | Cable OPC-1214                          | 1    |
| W8       | 8900011980  | Cable OPC-1214                          | 1    |
| W9       | 8900011970  | Cable OPC-1213                          | 1    |
| EP1      | 880001250   | DSP unit UT-106 [Equipped version] only | 1    |
| SP1      | 2510000990  | Speaker VS-66Y0811                      | 1    |
| MP1      | 8010001490  | Stand (D)                               | 1    |
| MP2      | 8930005790  | Color foot (A)                          | 1    |
| MP3      | 8930005800  | Color foot (B)                          | 1    |
| MP4      | 8820000530  | Flange bolt M4 × 8 NI                   | 1    |
| MP5      | 8930042690  | Rubber foot (L)                         | 2    |
| MP8      | 89300052450 | 2355 earth plate                        | 1    |
| MP9      | 8810008660  | Screw PH BT M3 × 8 NI-ZU                | 9    |
| MP10     | 8810008660  | Screw PH BT M3 × 8 NI-ZU                | 2    |
| MP11     | 8810009610  | Screw FH M2.6 × 6 ZK                    | 9    |
| MP12     | 8850000140  | Flat washer M4 NI BS                    | 1    |
| MP13     | 8810008990  | Screw BT M2 × 10 ZK                     | 1    |
| MP14     | 8850001560  | Ster washer M4                          | 1    |
| MP15     | 8810008660  | Screw PH BT M3 × 8 NI-ZU                | 9    |
| MP16     | 8810004430  | Screw PH M3 × 6 ZK                      | 2    |
| MP17     | 8810004430  | Screw PH M3 × 6 ZK                      | 2    |
| MP19     | 8810003380  | Setscrew C M3 × 10                      | 2    |
| MP20     | 8810009610  | Screw FH M2.6 × 6 ZK                    | 9    |
| MP21     | 8930042440  | 1897 SP holder                          | 1    |
| MP22     | 8810009610  | Screw FH M2.6 × 6 ZK                    | 4    |
| MP23     | 8010019121  | 2591 chassis-1                          | 1    |
| MP24     | 8110007880  | 2591 L-cover                            | 1    |
| MP25     | 8110007940  | 2591 T-cover assembly                   | 1    |
| MP26     | 89300059121 | Thermally sheet (AJ)-1                  | 2    |
| MP28     | 89300059971 | 2591 A-sponge-1                         | 1    |
| MP29     | 89300059961 | 2591 SP sponge-1                        | 1    |
| MP30     | 89300059880 | Earth spring (H)                        | 1    |
| MP32     | 8810008660  | Screw PH BT M3 × 8 NI-ZU                | 1    |
| MP33     | 8510015060  | 2591 shield plate                       | 1    |
| MP35     | 8930060140  | Sheet (CI)                              | 1    |
| MP36     | 8930060140  | Sheet (CI)                              | 1    |
| MP38     | 8930060310  | Shield tape (P)                         | 1    |
| MP39     | 8930060300  | Shield tape (O)                         | 1    |
| MP40     | 8930060290  | Shield tape (N)                         | 1    |

## [FRONT UNIT]

| REF. NO. | ORDER NO.  | DESCRIPTION                     | QTY. |
|----------|------------|---------------------------------|------|
| EP1      | 0880001360 | EX-2500 #02                     | 1    |
| W1       | 8900006040 | Flat cable OPC-593              | 1    |
| W2       | 8900006251 | Cable OPC-610A                  | 1    |
| MP1      | 8210019400 | 2177 front panel (A)-1 assembly | 1    |
| MP2      | 8210012580 | 1691 rear panel                 | 1    |
| MP3      | 8930058960 | 2177 menu key (A)               | 1    |
| MP4      | 8930047960 | 2177 mode key                   | 1    |
| MP7      | 8930036751 | Spring (Y)-1                    | 1    |
| MP9      | 8830001010 | Hex nut (A)                     | 2    |
| MP10     | 8610010000 | Knob N237 (incl. MP28)          | 1    |
| MP11     | 8610010010 | Knob N238                       | 2    |
| MP12     | 8610010112 | Knob N239-2 assembly            | 1    |
| MP15     | 8930036691 | 1691 release button-1           | 1    |
| MP18     | 8310036273 | 1691 brake plate-3 (incl. MP20) | 1    |
| MP19     | 8950004192 | 1691 contact base (B)-2         | 1    |
| MP20     | 8930036740 | 1691 brake pad                  | 2    |
| MP21     | 8930037111 | 1691 brake sheet-1              | 1    |
| MP23     | 8810008990 | Screw PH BT M2 × 10 ZK          | 2    |
| MP24     | 8930038940 | Sponge (EF)                     | 1    |
| MP26     | 8610010360 | Knob N260 (incl. MP27)          | 1    |
| MP27     | 8610007510 | Knob spring No.7800             | 1    |
| MP28     | 8610007510 | Knob spring No.7800             | 1    |

## [DISPLAY BOARD]

| REF. NO. | ORDER NO.  | DESCRIPTION                       | QTY. |
|----------|------------|-----------------------------------|------|
| J2       | 6450001630 | Connector HSJ1406-01-050 (PHONES) | 1    |
| DS4      | 5030001670 | LCD DLC-8309YBGF                  | 1    |
| DS5      | 5030002560 | LED CV1073                        | 1    |
| EP7      | 8930059720 | LCD connector SRCN-2591-SP-N-W    | 2    |
| MP1      | 8930036710 | 1691 LCD holder                   | 1    |
| MP2      | 8810009040 | Setscrew H M2.6 × 10 NI           | 1    |
| MP3      | 8830000180 | Nut M2.6 NI BS                    | 1    |
| MP4      | 8510015220 | 2591 front plate                  | 1    |
| MP6      | 8510014100 | 2177 front shield                 | 1    |

**[VR BOARD]**

| REF. NO. | ORDER NO.  | DESCRIPTION                                    | QTY. |
|----------|------------|--|------|
| R1       | 7210002780 | Variable resistor RV-300 (RK0972210)           | 1    |
| R2       | 7210002940 | Variable resistor<br>TP96D231E20-20F-10KB-1897 | 1    |
| S1       | 2220000540 | Switch SW-162 (SSSS22-2-11)                    | 1    |

**[JACK BOARD]**

| REF. NO. | ORDER NO.  | DESCRIPTION             | QTY. |
|----------|------------|-------------------------|------|
| MP1      | 8950004181 | 1691 contact base (A)-1 | 1    |

**[MAIN UNIT]**

| REF. NO. | ORDER NO.  | DESCRIPTION                       | QTY. |
|----------|------------|-----------------------------------|------|
| WS1      | 8970024110 | ICOM shield (B)                   | 1    |
| J6801    | 6510016170 | Connector 52018-8835 (MIC)        | 1    |
| J6851    | 6450001840 | Connector TCS7568-43-201 (DATA)   | 1    |
| J6901    | 6450000140 | Connector HSJ0807-01-010 (REMOTE) | 1    |
| J6921    | 6450001790 | Connector HLJ7000-01-3010 (KEY)   | 1    |
| J6951    | 6450001640 | Connector TCS5044-01-4111(ACC)    | 1    |
| J7371    | 6450000140 | Connector HSJ0807-01-010 (EXT-SP) | 1    |
| MP701    | 8510012400 | 2177 D/A case                     | 1    |
| MP5901   | 8510015080 | 2591 shield case                  | 1    |
| MP5902   | 8930060200 | Sheet (CJ)                        | 3    |
| MP5903   | 8930060210 | Sheet (CK)                        | 1    |
| MP9201   | 8510015070 | 2591 VCO case                     | 1    |
| MP9621   | 8930060030 | 2591 A-PLL case assembly          | 1    |
| MP9624   | 8510015360 | 2591 A-PLL cover                  | 1    |
| MP9625   | 8810003960 | Setscrew A M2.6 × 5               | 3    |
| MP9700   | 8930059950 | Sponge (HE)                       | 1    |
| MP9701   | 8930059940 | Sponge (HF)                       | 1    |
| MP9702   | 8930059930 | Sponge (HG)                       | 1    |
| MP9703   | 8930045530 | Magic tape (F)                    | 1    |
| MP9704   | 8930060170 | Rubber sheet (BE)                 | 1    |
| MP9705   | 8930060180 | Rubber sheet (BF)                 | 1    |
| MP9961   | 8510015390 | 2591 reg plate                    | 1    |

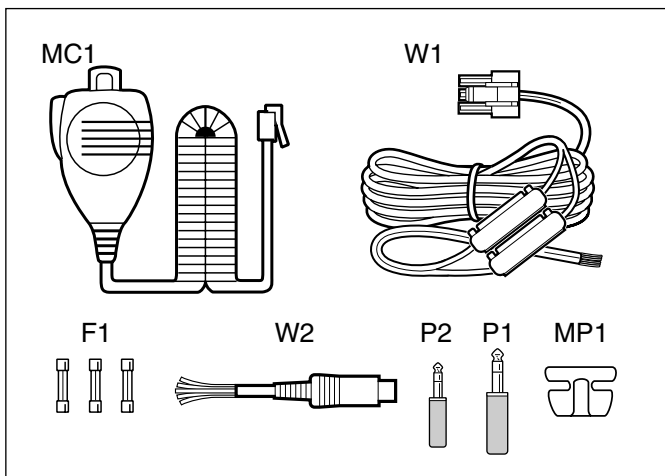
**Screw abbreviations** A,BT: Self-tapping PH: Pan head  
 FH: Flat head ZK: Black  
 BS: Brass NI: Nickel  
 NI-ZU: Nickel-Zinc

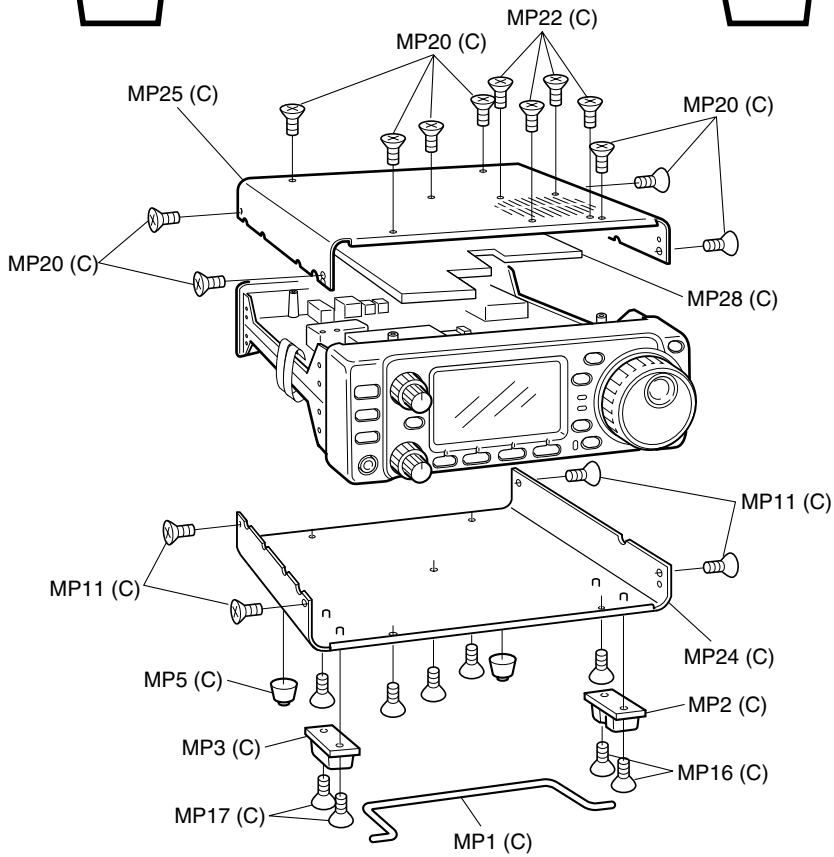
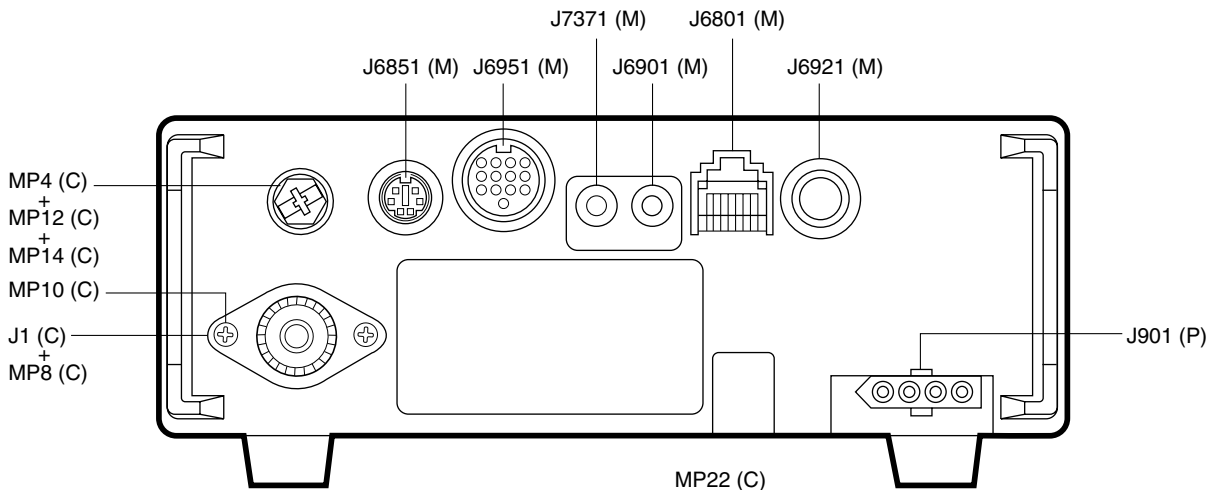
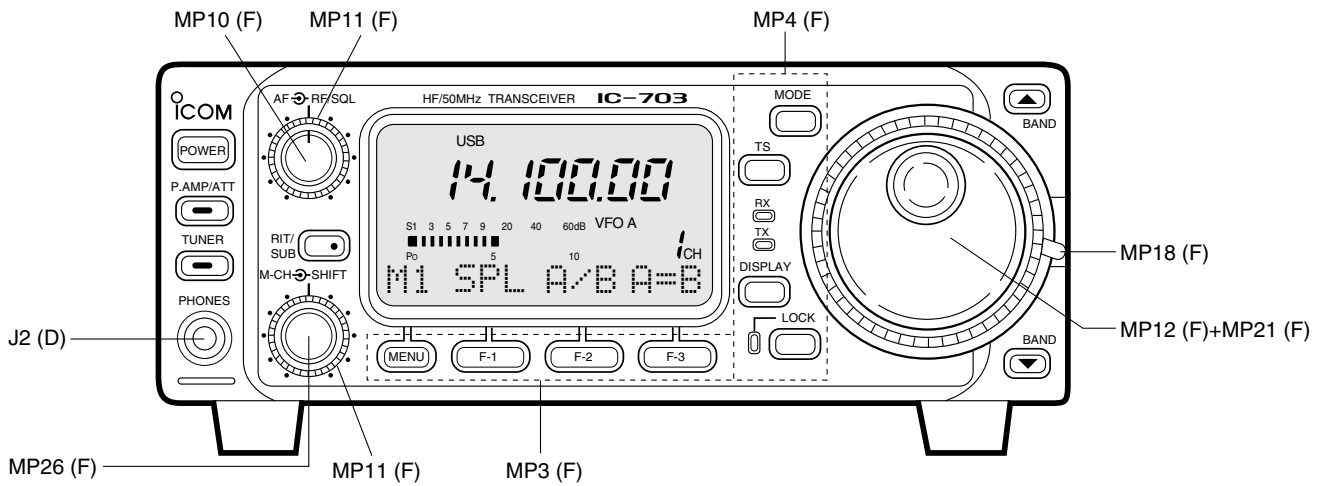
**[PA UNIT]**

| REF. NO. | ORDER NO.  | DESCRIPTION   | QTY. |
|----------|------------|---|------|
| EP901    | 6910000640 | Bead FSOH090RN                                      | 1    |
| EP902    | 6910000640 | Bead FSOH090RN                                      | 1    |
| EP903    | 9010000630 | Tube  | 1    |
| J901     | 6510001920 | Connector 1490R (TUNER)                             | 1    |
| W80      | 8900011990 | Cable OPC-1215                                      | 1    |
| MP200    | 8410002430 | 2494 PA heatsink                                    | 1    |
| MP201    | 8860001310 | 2591 rug<br>[EUR/-1],[FRA/-1],[ESP/-1],[ITR-1] only | 1    |
| MP400    | 8510002280 | VCO shield plate (A)                                | 1    |
| MP401    | 8930008680 | Insulation plate (AH)                               | 1    |
| MP402    | 8510002280 | VCO shield plate (A)                                | 1    |
| MP403    | 8930008680 | Insulation plate (AH)                               | 1    |
| MP900    | 8950000180 | Cable tie-80  | 1    |
| MP901    | 8950000180 | Cable tie-80  | 1    |

**[ACCESSORIES]**

| REF. NO. | ORDER NO.  | DESCRIPTION                | QTY. |
|----------|------------|----------------------------|------|
| P1       | 5610000050 | Connector AP-330           | 1    |
| P2       | 5610000170 | Connector AP-370B          | 1    |
| F1       | 5210000130 | Fuse FGB 4A                | 3    |
| W1       | 8900012050 | DC power cable OPC-1229    | 1    |
| W2       | 8900006110 | ACC cable OPC-596          | 1    |
| MC1      | 7700002000 | Hand microphone HM-103 ACC | 1    |
| MP1      | 8930007300 | Mic hunger                 | 1    |







## Icom Inc.

1-1-32, Kamiminami, Hirano-ku, Osaka 547-0003, Japan  
Phone : 06 6793 5302  
Fax : 06 6793 0013  
URL : <http://www.icom.co.jp/world/index.html>

### Icom America Inc.

<Corporate Headquarters>  
2380 116th Avenue N.E., Bellevue, WA 98004, U.S.A.  
Phone : (425) 454-8155 Fax : (425) 454-1509  
URL : <http://www.icomamerica.com>  
<Customer Service>  
Phone : (425) 454-7619

### Icom Canada

Glenwood Centre #150-6165  
Highway 17 Delta, B.C., V4K 5B8, Canada  
Phone : (604) 952-4266 Fax : (604) 952-0090  
URL : <http://www.icomcanada.com>

### Icom (Australia) Pty. Ltd.

A.B.N. 88 006 092 575  
290-294 Albert Street, Brunswick, Victoria, 3056, Australia  
Phone : 03 9387 0666 Fax : 03 9387 0022  
URL : <http://www.icom.net.au>

### Icom New Zealand

146A Harris Road, East Tamaki,  
Auckland, New Zealand  
Phone : 09 274 4062 Fax : 09 274 4708  
URL : <http://www.icom.co.nz>

### Beijing Icom Ltd.

1305, Wanshang Plaza, Shijingshan Road, Beijing China  
Phone : (010) 6866 6337 Fax : (010) 6866 3553  
URL : <http://www.bjicom.com>

### Icom (Europe) GmbH

Communication Equipment  
Himmelgeister Str. 100, D-40225 Düsseldorf, Germany  
Phone : 0211 346047 Fax : 0211 333639  
URL : <http://www.icomeurope.com>

### Icom Spain S.L

Crta. de Gracia a Manresa Km. 14,750  
08190 Sant Cugat del Valles Barcelona, SPAIN  
Phone : (93) 590 26 70 Fax : (93) 589 04 46  
URL : <http://www.icomspain.com>

### Icom (UK) Ltd.

Unit 9, Sea St., Herne Bay, Kent, CT6 8LD, U.K.  
Phone : 01227 741741 Fax : 01227 741742  
URL : <http://www.icomuk.co.uk>

### Icom France S.a

Zac de la Plaine, 1, Rue Brindejonc des Moulinais  
BP 5804, 31505 Toulouse Cedex, France  
Phone : (33) 5 61 36 03 03 Fax : (33) 5 61 36 03 00  
URL : <http://www.icom-france.com>

### Asia Icom Inc.

6F No. 68, Sec. 1 Cheng-Teh Road, Taipei, Taiwan, R.O.C.  
Phone : (02) 2559 1899 Fax : (02) 2559 1874  
URL : <http://www.asia-icom.com>

**Count on us!**

**Icom Inc.**

1-1-32, Kamiminami, Hirano-ku, Osaka 547-0003, Japan

S-13912HZ-C1  
© 2003 Icom Inc.