

ICF-SW1

AN-101

SERVICE MANUAL

REVISED




*US Model
Canadian Model
AEP Model
UK Model
E Model
Australian Model*


SPECIFICATIONS

Circuit system	FM: Superheterodyne AM: Dual, conversion superheterodyne	Weight	Approx. 230 g (5 lb 6.5 oz) including batteries
Frequency range	FM: 76 – 108 MHz (TYPE 1) 87.5 – 108 MHz (TYPE 2 to 4) LW: 150 – 528 kHz (TYPE 1 to 3) 150 – 285 kHz (TYPE 4) MW: 531 – 1,611 kHz (at MW channel step selector set to 9 kHz) 530 – 1,610 kHz (at MW channel step selector set to 10 kHz) SW: 1,615 – 29,995 kHz (TYPE 1, 3) 1,615 – 26,100 kHz (TYPE 2, 4)	Accessories supplied	AC power adaptor (1, except for Australian model) Stereo earphones (1) Antenna controller (1) Antenna module (1) Carrying case (soft ... 1 hard ... 1) AC plug adaptor (1, except for UK model) Suction cup (1) Carrying belt (1) Wave handbook (1)
Antennas	Telescopic antenna (FM/SW) Built-in ferrite bar antenna (MW/LW) Active antenna (LW/MW/SW)		
Speaker	Approx. 66 × 35 mm (2 ⁵ / ₈ inches × 1 ¹ / ₂ inches) 8 ohms		
Power output Outputs	250 mW (at 10% harmonic distortion) Recording output jack (minijack) output level 0.775 mV (–60 dB) output impedance 1 kilohm Headphone jack (stereo minijack) for 18 ohm stereo earphones		
Power requirements	Radio: 3 V dc Two size AA (R6) batteries Supplied AC power adaptor (110, 120, 220 or 240 V ac adjustable, 50/60 Hz)		
Battery life	Radio: approx. 12 hours of listening for four hours a day at a normal volume, using Sony SUM-3 (NS) batteries		
Dimensions	Approx. 118.2 × 71.4 × 23.7 mm (w/h/d) (4 ³ / ₄ × 2 ⁷ / ₈ × 1 ⁵ / ₁₆ inches) including projecting parts and controls		

SAFETY-RELATED COMPONENT WARNING!!

COMPONENTS IDENTIFIED BY MARK  ON THE SCHEMATIC DIAGRAMS AND IN THE PARTS LIST ARE CRITICAL TO SAFE OPERATION. REPLACE THESE COMPONENTS WITH SONY PARTS WHOSE PART NUMBERS APPEAR AS SHOWN IN THIS MANUAL OR IN SUPPLEMENTS PUBLISHED BY SONY.

ATTENTION AU COMPOSANT AYANT RAPPORT À LA SÉCURITÉ!

LES COMPOSANTS IDENTIFIÉS PAR UNE MARQUE  SUR LES DIAGRAMMES SCHÉMATIQUES ET LA LISTE DES PIÈCES SONT CRITIQUES POUR LA SÉCURITÉ DE FONCTIONNEMENT. NE REMPLACER CES COMPOSANTS QUE PAR DES PIÈCES SONY DONT LES NUMÉROS SONT DONNÉS DANS CE MANUAL OU DANS LES SUPPLÉMENTS PUBLIÉS PAR SONY.

**FM STEREO/LW/MW/SW
PLL SYNTHESIZED RECEIVER**

SONY®



TABLE OF CONTENTS

<i>Section</i>	<i>Title</i>	<i>Page</i>
Specifications		1
Features		2
SECTION 1. GENERAL		3
1-1.	Location and Function of Controls	3
1-2.	Supplied Accessories	3
1-3.	How to Set the Clock	4
1-4.	Direct Tuning	4
1-5.	Manual Tuning	5
1-6.	Scan Tuning	5
1-7.	Preset Tuning	6
1-8.	How to Turn on the Radio Automatically	6
1-9.	How to Set the Sleep Timer	7
1-10.	How to Use the Supplied Active Antenna	7
SECTION 2. OUTLINE		8
2-1.	Outline of the C-MOS Digital Tuning System IC801, μ PD1715G-545	8
2-1-1.	Outline of the Station Selection	8
2-1-2.	Description on the Terminals	9
2-1-3.	Initial State Setting	12
2-1-4.	Muting Output Timings	12
2-1-5.	Segment and Commons of Liquid Crystal Display Panel (LCD801)	14
2-1-6.	Relationship of LCD (LCD801) Segment to LSI Pin	14
SECTION 3. DISASSEMBLY		15
SECTION 4. ELECTRICAL ADJUSTMENTS		16
SECTION 5. DIAGRAMS		18
5-1.	Block Diagram	18
5-2.	Semiconductor Lead Layouts	20
5-3.	Circuit Boards Location	20
5-4.	Printed Wiring Boards (NEW TYPE)	21
5-5.	Schematic Diagram (NEW TYPE)	25
5-6.	Schematic Diagram (FORMER TYPE)	28
5-7.	Printed Wiring Boards (FORMER TYPE)	31
5-8.	IC Block Diagram	35
SECTION 6. EXPLODED VIEWS		36
SECTION 7. ELECTRICAL PARTS LIST		38
SECTION 8. ANTENNA MODULE (AN-101)		43
SUPPLEMENT-1		45
ICF-SW1E model is added.		

FEATURES

- An FM stereo/LW/MW/SW receiver with world-wide band coverage.
- Quartz controlled PLL (Phase Locked Loop) synthesizer system using a microcomputer for easy pinpoint tuning. The tuned frequency is digitally displayed.

Direct tuning .. Tuning in the station by inputting the frequency of the station directly

Manual tuning .. Even if you don't know the frequency of the station, you can tune in the station precisely.

Scan tuning An automatic searching of a station

Preset tuning ... Up to 10 stations can be preset for button-touch tuning

Timer standby .. The function to receive a desired station at the desired time

Sleep timer Turning the radio off automatically in 65 minutes

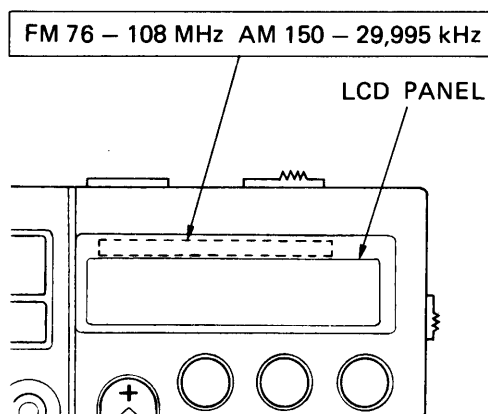
Power sources .. Three different power sources: internal batteries, house current, car batteries
With the supplied AC power adaptor, any AC power source is available.

Classification by frequency coverage

Destinations are classified by frequency indicated on LCD PANEL as the table below.

TYPE	FREQUENCY COVERAGE
TYPE 1-1, -2	FM 76 - 108 MHz AM 150 - 29,995 kHz
TYPE 2	FM 87.5 - 108 MHz AM 150 - 26,100 kHz
TYPE 3-1, -2	FM 87.5 - 108 MHz AM 150 - 29,995 kHz
TYPE 4 (Saudi Arabia)	FM 87.5 - 108 MHz AM 150 - 285/531 - 26,100 kHz

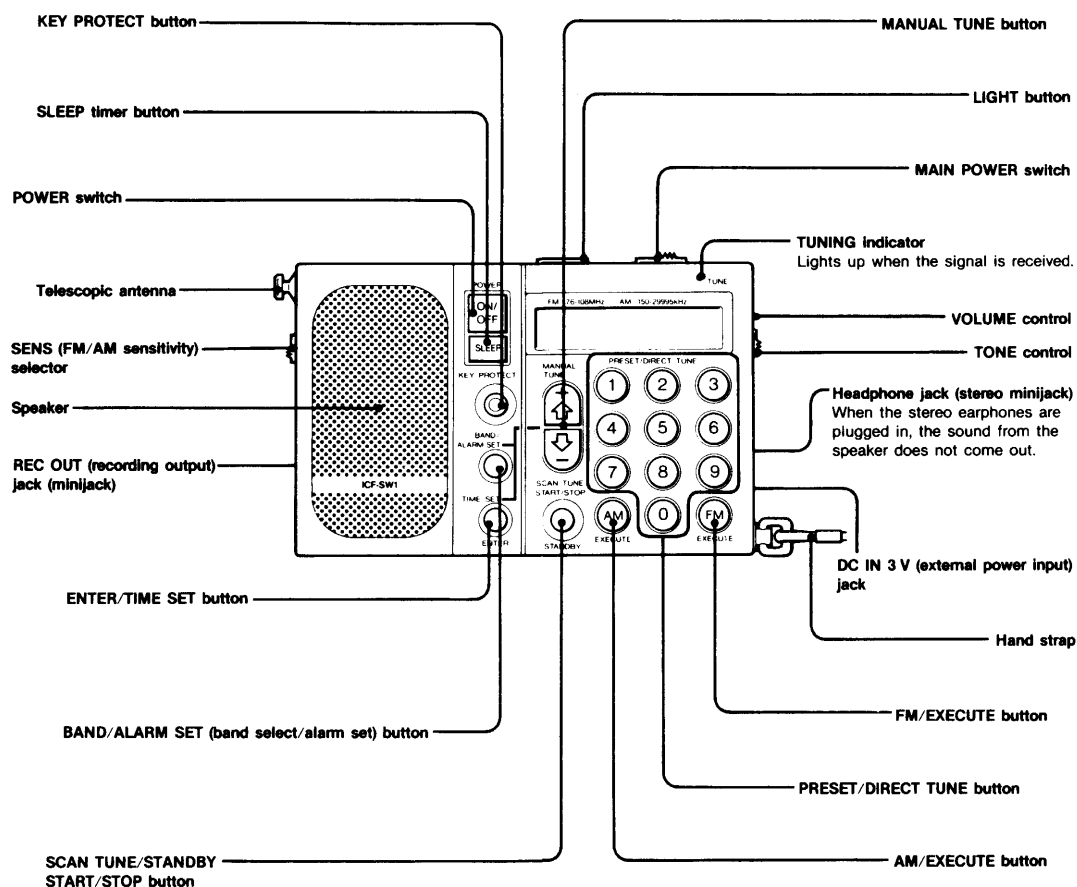
EXAMPLE



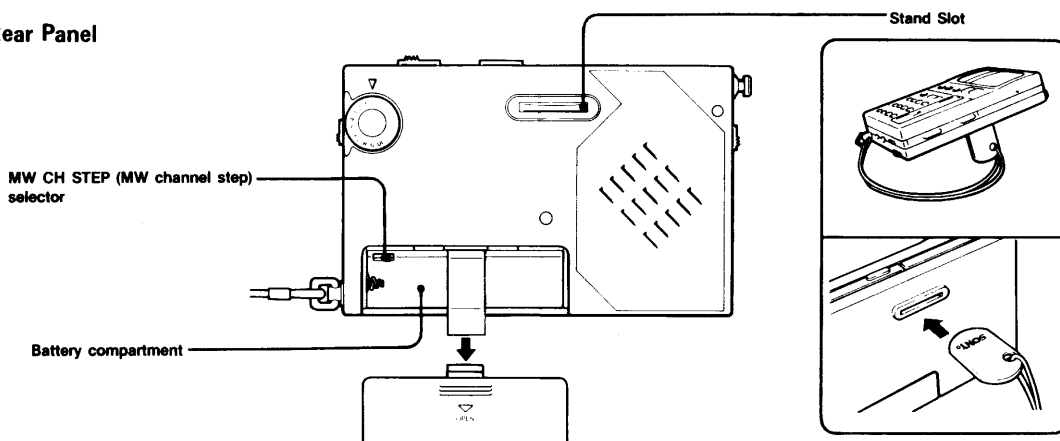
SECTION 1 GENERAL

1-1. LOCATION AND FUNCTION OF CONTROLS

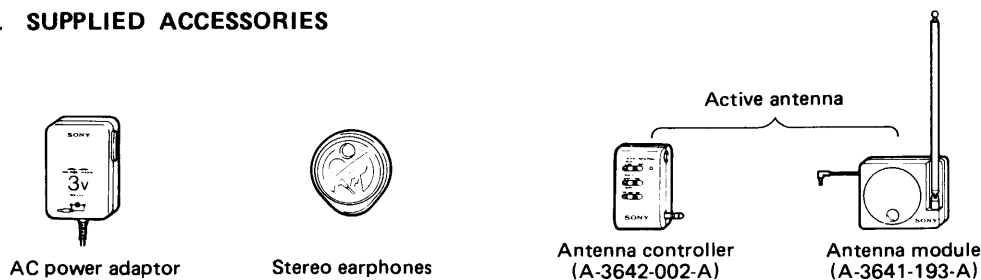
Front Panel



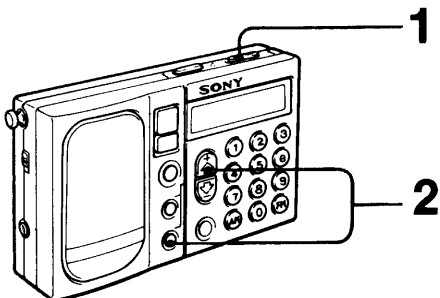
Rear Panel



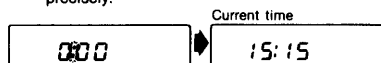
1-2. SUPPLIED ACCESSORIES



1-3. HOW TO SET THE CLOCK



- 1 Set MAIN POWER to ON.**
- 2 Press MANUAL TUNE while keeping TIME SET pressed** to adjust the clock to the current time. To advance the time digits rapidly, keep MANUAL TUNE pressed. Press it to adjust the time indication precisely.

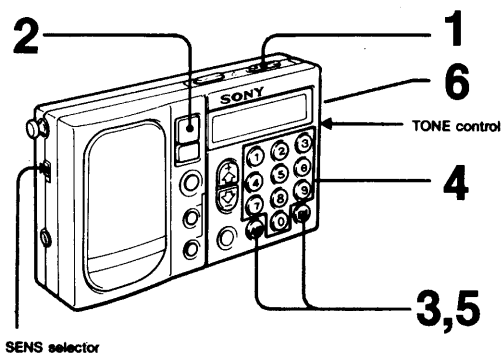


- 3 Release TIME SET.**
The clock will begin to operate.

Setting the clock while listening to the radio
You cannot set the clock while you are listening to the radio. Be sure to press ON/OFF to turn the radio off and set the clock.

The display when MAIN POWER is OFF
The current time is displayed.

1-4. DIRECT TUNING



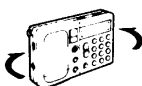
- 1 Set MAIN POWER to ON.**
- 2 Press ON/OFF.**
The radio is turned on.
- 3 Press the desired band (FM or AM) button.**
To receive SW, MW, LW, press AM.
- 4 Input the frequency of the station by pressing DIRECT TUNE.**
EX. AM. 810 kHz



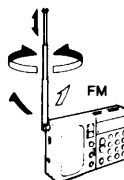
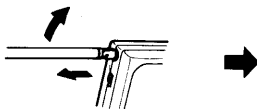
- 5 Press the same band button again within 5 seconds.**
The station will be tuned in.
- 6 Adjust the volume.**
To turn off the radio, press ON/OFF.

To improve receiving condition

MW/LW



FM/SW

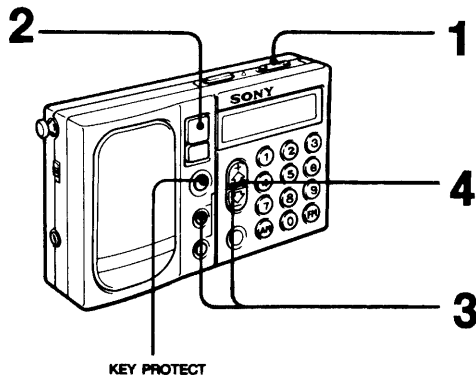


If you input a wrong frequency
Press FM/EXECUTE or AM/EXECUTE again and input the correct frequency.

NOTICE
Reception of 1.8 MHz and 3.6 MHz may be difficult because of internal spurious signals generated by the built-in oscillators.

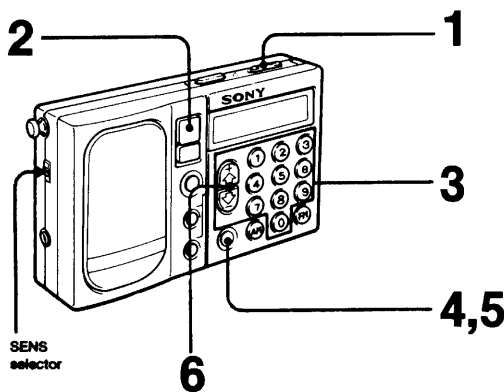
The inputted station is not tuned in
This occurs if you do not press the band button (FM or AM) within 5 seconds after inputting the frequency of the desired station and the tuned station's frequency will appear.
To tune in the desired station, repeat the same procedures from the third step.

1-5. MANUAL TUNING



- 1 Set MAIN POWER to ON.
- 2 Press ON/OFF.
The radio is turned on.
- 3 Press MANUAL TUNE (+ or -) repeatedly while keeping BAND pressed to search for the approximate frequency of the desired station. The lowest frequency of each band or the meter band of SW appears in the display. If you keep MANUAL TUNE pressed, the band changes continuously.
- 4 Press MANUAL TUNE (+ or -) repeatedly to search for a desired station.

1-6. SCAN TUNING



- 1 Set MAIN POWER to ON.
- 2 Press ON/OFF.
- 3 Receive a broadcast band by pressing MANUAL TUNE while keeping BAND pressed, or by pressing DIRECT TUNE. (Refer to the table below for the frequency range of each broadcast band.)
- 4 Press SCAN TUNE.
Within the frequency range of the table below, scan tuning will begin and stop automatically for 1.5 seconds when a station is received and then the tuning indicator lights up.
- 5 Press SCAN TUNE again to listen to the station being received.
Scan tuning stops and the station being received is tuned in.
- 6 Tune in the station more precisely by MANUAL TUNE (+ or -).

The frequency range and the tuning interval of each broadcast band

Broadcast band	Frequency range	SW meter band	
A M	LW	150 kHz ~ 528 kHz *1	
	MW	531 kHz ~ 1611 kHz	*2
		530 kHz ~ 1610 kHz	
	SW	1615 kHz ~ 2245 kHz	*3
		2250 kHz ~ 2550 kHz	120 meter band
		3150 kHz ~ 3450 kHz	90 meter band
		3850 kHz ~ 4050 kHz	75 meter band
		4700 kHz ~ 5100 kHz	60 meter band
		5900 kHz ~ 6250 kHz	49 meter band
		7000 kHz ~ 7400 kHz	41 meter band
9400 kHz ~ 10000 kHz		31 meter band	

*1 150-285 kHz for the model for Saudi Arabia and Malaysia.
*2 The frequency range is different according to the MW CH STEP selector.
*3 These frequencies can be tuned in either by direct tuning or manual tuning but cannot be selected by pressing both BAND and MANUAL TUNE buttons.

When scan tuning stops too often
Set SENS to LOCAL.

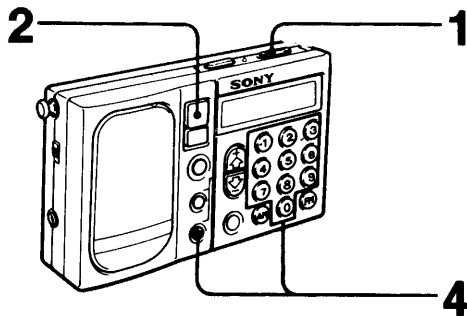
Broadcast band	Frequency range	SW meter band
A M	11500 kHz ~ 12150 kHz	25 meter band
	13500 kHz ~ 13900 kHz	21 meter band
	15000 kHz ~ 15700 kHz	19 meter band
	17450 kHz ~ 18000 kHz	16 meter band
	21400 kHz ~ 21950 kHz	13 meter band
	25600 kHz ~ 26100 kHz	11 meter band
F M	26105 kHz ~ 29995 kHz	*4
	76.00 MHz ~ 108.00 MHz	*5

*4 * These frequencies can be tuned in either by direct tuning or manual tuning but cannot be selected by pressing both BAND and MANUAL TUNE buttons.
* These frequencies cannot be tuned in with the model for Germany and Middle east countries.
*5 87.5-108 MHz for the model for France, Germany, Sweden, Switzerland, Scandinavian countries and Middle east countries.

The frequency allocation

LW...3 kHz
MW...9 kHz/10 kHz
SW...5 kHz
FM...100 kHz

1-7. PRESET TUNING



HOW TO PRESET A STATION

- 1 Set MAIN POWER to ON.
- 2 Press ON/OFF.
- 3 Tune in a desired station.
- 4 Press one of the PRESET buttons while keeping ENTER pressed.
The desired station is preset on that button.



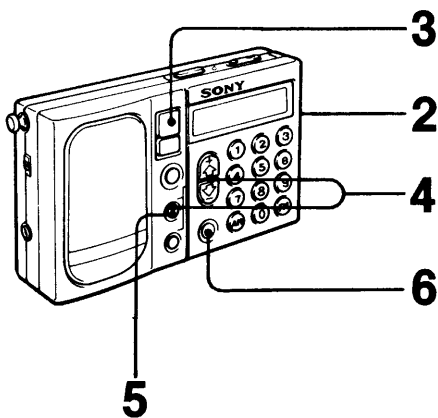
TO TUNE IN A PRESET STATION

- 1 Set MAIN POWER to ON.
- 2 Press ON/OFF.
- 3 Press the desired PRESET button.
The preset station will be tuned in.

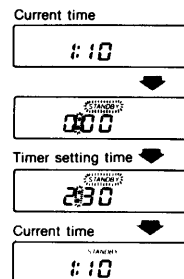
The number of stations you can preset
Up to 10 stations of either an FM or
AM can be preset to PRESET.

To change the preset station
Preset a station to the desired PRESET
button. The station previously preset to
the button is erased.

**1-8. HOW TO TURN ON THE RADIO AUTOMATICALLY
(Timer standby function)**



- 1 Tune in the station which you want to listen to at the desired time.
- 2 Adjust the volume.
- 3 Press ON/OFF.
The radio will be turned off.
- 4 Set the time by pressing MANUAL TUNE (+ or -) while keeping ALARM SET pressed.
If you keep MANUAL TUNE pressed, the time will change continuously.
- 5 Stop pressing ALARM SET and the current time appears in the display.
- 6 Press STANDBY. STANDBY indicator will continue to be displayed.



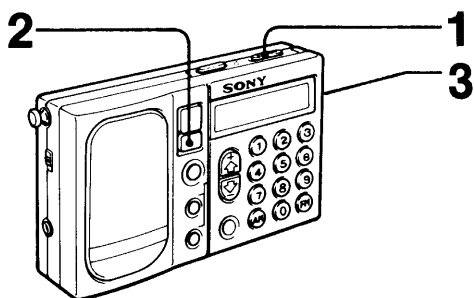
To cancel the alarm mode
Either press STANDBY or set MAIN POWER to OFF.

Once you preset the time
The radio is turned on at the same time everyday.

To check the preset time
Press ALARM/SET.

To change the preset time
Set the desired alarm time, the time previously set is erased.

1-9. HOW TO SET THE SLEEP TIMER



1 Set MAIN POWER to ON.

2 Press SLEEP.
The radio is turned on.



3 Tune in the desired station and adjust the volume.

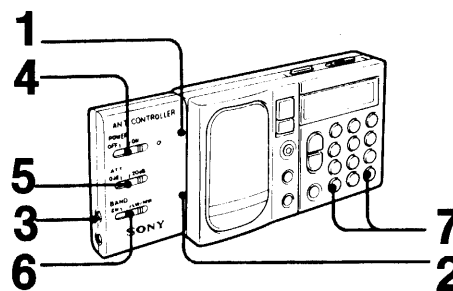
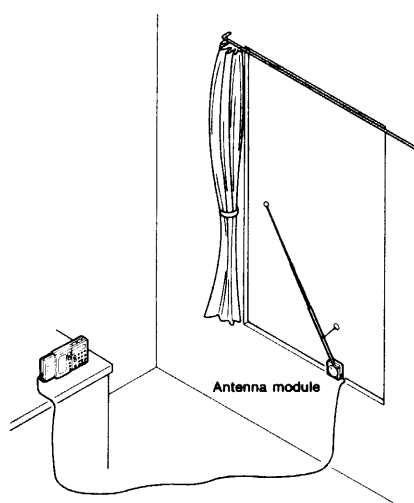
The radio will be turned off automatically after about 65 minutes.

When you press SLEEP while listening to the radio
The radio will be turned off automatically after about 65 minutes.

To turn off the radio before the sleep time
Press ON/OFF.

If you press SLEEP after the radio is turned off
The sleep timer activates and the last station to be tuned in will be received.

1-10. HOW TO USE THE SUPPLIED ACTIVE ANTENNA (For better LW/MW/SW reception)



1 Set SENS of the radio to DX.

2 Collapse the rod antenna and install the antenna controller to the radio.

3 Pull out the output cable from the antenna module and plug it into the FROM MODULE jack.

4 Set POWER to ON.
The power indicator lights up.

5 Set ATTENUATER to 0 dB.

6 Set BAND to the desired band.

7 Select the same band on the radio and tune in the desired station.

8 Extend the telescopic antenna of the antenna module.

SECTION 2 OUTLINE

2-1. OUTLINE OF THE C-MOS DIGITAL-TUNING SYSTEM IC801, μ PD1715G-545

Note: Display flicker period has been changed depending on program change of IC801.

FORMER TYPE: μ PD1715G-545-22
(8-759-140-92)

NEW TYPE: μ PD1715G-558-22
(8-759-142-35)

There is interchangeability between former type and new type for IC801, so that a new type part is supplied for replacement.

US model: Serial No. 30601 and later.

Confirm type No. of IC801 for other countries.

2-1-1. OUTLINE OF THE STATION-SELECTION

1) Receiving-frequency Coverages and Scan Range

The following table shows the frequency coverages and scan range of μ PD1715G-545 can receive.

BAND	SCAN RANGE	CHANNEL SEPARATION	NOMINAL SPACING
LW	150kHz - 528kHz	3kHz	3kHz
MW1	531kHz - 1611kHz	9kHz	3kHz
MW2	530kHz - 1610kHz	10kHz	5kHz
SW	※1 1615kHz - 2245kHz	5kHz	5kHz
	2250kHz - 2550kHz	5kHz	5kHz
	3150kHz - 3450kHz	5kHz	5kHz
	3850kHz - 4050kHz	5kHz	5kHz
	4700kHz - 5100kHz	5kHz	5kHz
	5900kHz - 6250kHz	5kHz	5kHz
	7000kHz - 7400kHz	5kHz	5kHz
	9400kHz - 10000kHz	5kHz	5kHz
	11500kHz - 12150kHz	5kHz	5kHz
	13500kHz - 13900kHz	5kHz	5kHz
	15000kHz - 15700kHz	5kHz	5kHz
	17450kHz - 18000kHz	5kHz	5kHz
	21400kHz - 21950kHz	5kHz	5kHz
	25600kHz - 26100kHz	5kHz	5kHz
※2 26105kHz - 29995kHz	5kHz	5kHz	
FM1	76.00MHz - 108.00MHz	100kHz	12.5kHz
FM2	87.50MHz - 108.00MHz	50kHz	12.5kHz

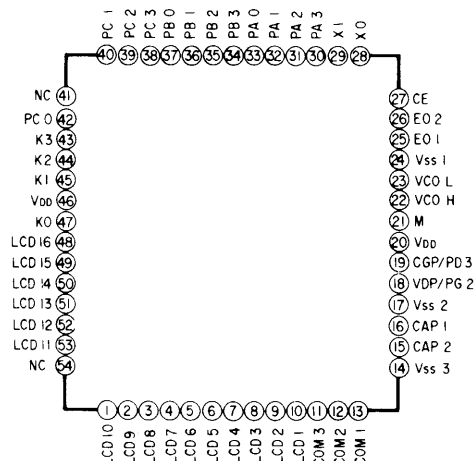
Note: Either direct or manual selection is feasible for ※1 frequency range or meter band, but BAND SELECT key is inoperative. Able to scan. ※2 range, but unable to receive during in up/down mode.

2) Station-selecting Functions:

- a) Selection with 10 key.
- b) Manual up/down selection with up/down key.
- c) Random selection out of the preset memories by key-in calling.
Total 10 stations.
- d) Scanning selection.
- e) Last channel memory.

2-1-2. DESCRIPTION ON THE TERMINALS

1) Terminal Arrangement



2) IC801 (μPD1715G-545) Pin Functions

PIN No.	SYMBOL	NAMING	DESCRIPTION
1 10	LCD9 LCD1	LCD SEGMENT SIGNALS	<p>Transmit the segment-output signals to the LCD panel. When matrixes are configured together with the COM1 thru COM3, a display of 48 dots can be made. These output signals are output when the LCDD commands are made. The LCD-driving voltages are of 3.1V typical, 1/2 bias and 1/3 duty when the frame frequency is 100 Hz.</p> <p>These LCD11 through LCD16 can also be used at the same as the key source signals for the key matrix. These signal are output on time-division bases, and they are output as the key-source signals at the repetition rate of 6.7 msec.</p> <p>Whether the key-source signal are to be output while having displays on the panel is dependent upon and selectable by the programs used.</p> <p>These terminals become automatically in the "L" (low) state, i.e., non-display mode, at the power-on reset (VDD changes from low to high state) and at the stoppage moment of the clock. The display mode does not change at the reset moment in which CE changes from low to high state.</p>
11 13	COM3 COM1	LCD COMMON SIGNAL	<p>Transmit common signals to the LCD panel. When the matrixes are configured together with the LCD1 through LCD16, a display of 48 dots can be made.</p> <p>Three distinctive signals of VSS3, VSS2 and VDD are output through these terminals at the repetition rate of 50 Hz.</p> <p>These terminals become automatically in the "L" (low) state, i.e., non-display mode, at the power-on reset (VDD changes from low to high state) and at the stoppage moment of the clock.</p>
14 15 16 17	VSS3 CAP2 CAP1 VSS2	CAPACITOR CONNECTION TERMINAL FOR DOUBLER	<p>Capacitor-connection terminals to make a proper voltage doubler to build the 3.1V typical LCD-driving voltage VDD. Normal circuit configuration is as follows.</p>
18	PG2 (VDP)	VARIABLE DUTY PORT	<p>Outputs the variable-duty or the one-bit (PG2) signal. Not used.</p>
19	PD3 (CGP) MUTE	CLOCK GENERATOR PORT (MUTE SIGNAL)	<p>Outputs the clock-generator or the one-bit (PD3) signal. The selection of either of them is programmable. When used as the CGP, this terminal can transmit the pulse chain of 1 kHz of 46.6% duty or 3 kHz of 60% duty. Outputs signal to cut noise between frequency change due to key input and PLL lock, Low level output actuates mute.</p>
20	VDD	INPUT OF POWER SUPPLY VOLTAGE	<p>Receives the power-supply voltage for this device. In operation, a voltage of 2.0 to 3.5 VDC is applied to this terminal. The input voltage can be lowered down to 1.5 VDC when any of the internal data in the RAM, i.e., when the CKSTP command is under execution, is to be holded.</p> <p>The power-on reset circuit of device starts to operate at the instance this terminal receives a voltage of 0 (zero) to 1.7 VDC, and the program starts from the location 0 (zero).</p> <p>Note: This pin and pin 46 are connected internally. So, it is not necessary to apply the power-supply voltage to both of them. The ceramic-packaged device, however, has a not-to-be connected pin 46, i.e., N.C. terminal.</p>

PIN NO.	SYMBOL	NAMING	DESCRIPTION												
21	M	CONTROL-SIGNAL INPUT FOR DIVIDER	Determines the dividing ratio of the fixed-division prescaler. A 1/4 dividing ratio is made when this terminal is held at "H" (high), and a 1/2 divider is made when held at "L" (low). This port is used only when the VCOH terminal (FM in this set) i.e., pin 22 is used. This set uses this port as a 1/4 divider for FM and 1/2 divider for AM.												
22	VCOH	OSC SIGNAL INPUT	Inputs 1/4 divider 10 ~ 130 MHz (0.1 Vp-p MIN.) or 1/2 divider 10 ~ 100 MHz (0.1 Vp-p MIN.) of local-oscillator output, i.e., the VCO output. This input signal is connected internally in this device through the 1/2 fixed-divider prescaler or the 1/4 fixed-divider prescaler and through the two-module prescaler composed of 1/32 and 1/33 frequency dividers to the internal programmable counter. This terminal is pulled down to the ground level when the direct frequency-dividing system is taken into the circuit or when the Pulse-Swallow system is used with the HF command executed, i.e., the VCOL (AM) terminal is selected. A capacitor coupling is needed due to the inclusion of alternate current amplifiers inside this device.												
	VCOL		<p>Receives an AM local-oscillator signals, i.e., the VCO signal from 0.5 MHz to 40 MHz of 0.2 Vp-p minimum. This port is selected when the direct frequency-dividing system or the Pulse-Swallow system is used and, at the same time, the HF command is executed. These two systems are, however, different one another as shown below.</p> <table border="1"> <thead> <tr> <th>DIVIDING SYSTEM</th> <th>INPUT LEVEL (MINIMUM)</th> <th>INPUT FREQUENCY</th> <th>DIVIDING RATIO</th> </tr> </thead> <tbody> <tr> <td>DIRECT</td> <td>0.1 Vp-p</td> <td>0.5 to 15 MHz</td> <td>16 to (2¹²-1)</td> </tr> <tr> <td>PULSE-SWALLOW (HF COMMAND EXECUTED)</td> <td>0.2 Vp-p</td> <td>0.5 to 40 MHz</td> <td>1,024 to (2¹⁷-1)</td> </tr> </tbody> </table> <p>This terminal is pulled down to the ground level when the Pulse-Swallow system is used together with the VHF-command execution, i.e., the VCOH (FM) terminal is selected. A capacitor coupling is needed due to the inclusion of alternate current amplifiers inside this chip. Not used.</p>	DIVIDING SYSTEM	INPUT LEVEL (MINIMUM)	INPUT FREQUENCY	DIVIDING RATIO	DIRECT	0.1 Vp-p	0.5 to 15 MHz	16 to (2 ¹² -1)	PULSE-SWALLOW (HF COMMAND EXECUTED)	0.2 Vp-p	0.5 to 40 MHz	1,024 to (2 ¹⁷ -1)
DIVIDING SYSTEM	INPUT LEVEL (MINIMUM)	INPUT FREQUENCY	DIVIDING RATIO												
DIRECT	0.1 Vp-p	0.5 to 15 MHz	16 to (2 ¹² -1)												
PULSE-SWALLOW (HF COMMAND EXECUTED)	0.2 Vp-p	0.5 to 40 MHz	1,024 to (2 ¹⁷ -1)												
24	Vssl	GROUND	The ground-return terminal of this device.												
25	E01	ERROR OUTPUT	Transmits the error signal of the PLL system. When the resultant frequencies obtained by dividing the local-oscillator frequencies are higher than the reference frequency, an "H" (high)-level signal is output from this port. When these are lower, on the contrary, an "L" (low)-level signal is output from this port. When these divided frequencies just coincide with the reference frequency, this port becomes in a floating state. These output signals from this port then go through the external lowpass filter to the varactor diodes in the turned circuits in these frontends of the receiver. The same output waveform as the terminal E01 is obtainable from the next terminal E02, pin 26, and so these two are user-selectable. When the PLL is disabled, i.e., when the system is set by the PLL commands or the CE terminal, pin 27, is set to the "L" (low)-level, these E01 and E02 terminals become in the floating states.												
26	E02	ERROR OUTPUT													
27	CE	CHIP ENABLE	Receives the state-selection signals for this device. When set a "H" (high), this device works, and vice versa. The PLL section of this device becomes forcibly in a disabled condition in the duration of wider than 140 μsec of the "L" (low)-level state. The duration, however, of shorter than 140 μsec is not taken into account. The programmes are using the CKSTP commands. The CKSTP commands are effective only when the state of this CE is in an "L" (low) condition. When this CE terminal is in an "H" state, these programmes work like under NOP commands. When the CKSTP commands are executed when this CE terminal is in an "L" (low) level, the internal clock generator and the internal CPU are disabled. In this disabled condition, the RAM-memory backupings can be made under a very-low current consumption of 3 μA maximum. In this condition, these display-output signals LCD1 through LCD16 and the COM1 COM3 become in the off-display mode, i.e., the "L" (low) state. When the level of this CE terminal is changed from "L" to "H", this device is reset and its programmes start from the location "0" (zero). In this state, the Port A becomes in the input mode. Goes to "L" (low) when main power switch is OFF or when the power supply is below 1.9V (1.8 - 2.0 V).												

PIN NO.	SYMBOL	NAMING	DESCRIPTION												
21	M	CONTROL-SIGNAL INPUT FOR DIVIDER	Determines the dividing ratio of the fixed-division prescaler. A 1/4 dividing ratio is made when this terminal is held at "H" (high), and a 1/2 divider is made when held at "L" (low). This port is used only when the VCOH terminal (FM in this set) i.e., pin 22 is used. This set uses this port as a 1/4 divider for FM and 1/2 divider for AM.												
22	VCOH	OSC SIGNAL INPUT	Inputs 1/4 divider 10 ~ 130 MHz (0.1 Vp-p MIN.) or 1/2 divider 10 ~ 100 MHz (0.1 Vp-p MIN.) of local-oscillator output, i.e., the VCO output. This input signal is connected internally in this device through the 1/2 fixed-divider prescaler or the 1/4 fixed-divider prescaler and through the two-module prescaler composed of 1/32 and 1/33 frequency dividers to the internal programmable counter. This terminal is pulled down to the ground level when the direct frequency-dividing system is taken into the circuit or when the Pulse-Swallow system is used with the HF command executed, i.e., the VCOL (AM) terminal is selected. A capacitor coupling is needed due to the inclusion of alternate current amplifiers inside this device.												
	VCOL		<p>Receives an AM local-oscillator signals, i.e., the VCO signal from 0.5 MHz to 40 MHz of 0.2 Vp-p minimum. This port is selected when the direct frequency-dividing system or the Pulse-Swallow system is used and, at the same time, the HF command is executed. These two systems are, however, different one another as shown below.</p> <table border="1"> <thead> <tr> <th>DIVIDING SYSTEM</th> <th>INPUT LEVEL (MINIMUM)</th> <th>INPUT FREQUENCY</th> <th>DIVIDING RATIO</th> </tr> </thead> <tbody> <tr> <td>DIRECT</td> <td>0.1 Vp-p</td> <td>0.5 to 15 MHz</td> <td>16 to (2¹²-1)</td> </tr> <tr> <td>PULSE-SWALLOW (HF COMMAND EXECUTED)</td> <td>0.2 Vp-p</td> <td>0.5 to 40 MHz</td> <td>1,024 to (2¹⁷-1)</td> </tr> </tbody> </table> <p>This terminal is pulled down to the ground level when the Pulse-Swallow system is used together with the VHF-command execution, i.e., the VCOH (FM) terminal is selected. A capacitor coupling is needed due to the inclusion of alternate current amplifiers inside this chip. Not used.</p>	DIVIDING SYSTEM	INPUT LEVEL (MINIMUM)	INPUT FREQUENCY	DIVIDING RATIO	DIRECT	0.1 Vp-p	0.5 to 15 MHz	16 to (2 ¹² -1)	PULSE-SWALLOW (HF COMMAND EXECUTED)	0.2 Vp-p	0.5 to 40 MHz	1,024 to (2 ¹⁷ -1)
DIVIDING SYSTEM	INPUT LEVEL (MINIMUM)	INPUT FREQUENCY	DIVIDING RATIO												
DIRECT	0.1 Vp-p	0.5 to 15 MHz	16 to (2 ¹² -1)												
PULSE-SWALLOW (HF COMMAND EXECUTED)	0.2 Vp-p	0.5 to 40 MHz	1,024 to (2 ¹⁷ -1)												
24	Vssl	GROUND	The ground-return terminal of this device.												
25	E01	ERROR OUTPUT	Transmits the error signal of the PLL system. When the resultant frequencies obtained by dividing the local-oscillator frequencies are higher than the reference frequency, an "H" (high)-level signal is output from this port. When these are lower, on the contrary, an "L" (low)-level signal is output from this port. When these divided frequencies just coincide with the reference frequency, this port becomes in a floating state. These output signals from this port then go through the external lowpass filter to the varactor diodes in the turned circuits in these frontends of the receiver. The same output waveform as the terminal E01 is obtainable from the next terminal E02, pin 26, and so these two are user-selectable. When the PLL is disabled, i.e., when the system is set by the PLL commands or the CE terminal, pin 27, is set to the "L" (low)-level, these E01 and E02 terminals become in the floating states.												
26	E02	ERROR OUTPUT													
27	CE	CHIP ENABLE	Receives the state-selection signals for this device. When set a "H" (high), this device works, and vice versa. The PLL section of this device becomes forcibly in a disabled condition in the duration of wider than 140 μsec of the "L" (low)-level state. The duration, however, of shorter than 140 μsec is not taken into account. The programmes are using the CKSTP commands. The CKSTP commands are effective only when the state of this CE is in an "L" (low) condition. When this CE terminal is in an "H" state, these programmes work like under NOP commands. When the CKSTP commands are executed when this CE terminal is in an "L" (low) level, the internal clock generator and the internal CPU are disabled. In this disabled condition, the RAM-memory backupings can be made under a very-low current consumption of 3 μA maximum. In this condition, these display-output signals LCD1 through LCD16 and the COM1 COM3 become in the off-display mode, i.e., the "L" (low) state. When the level of this CE terminal is changed from "L" to "H", this device is reset and its programmes start from the location "0" (zero). In this state, the Port A becomes in the input mode. Goes to "L" (low) when main power switch is OFF or when the power supply is below 1.9V (1.8 - 2.0 V).												

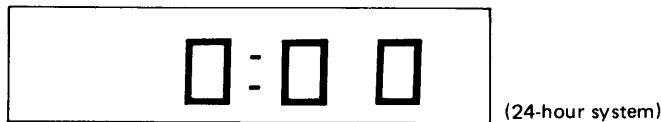
2-1-3. INITIAL-STATE SETTING

1) Initial Power-on Setting:

VDD = 0 V → 3.0 V, CE = Low → High

The power-supply is reset after performing the initial power-on setting, and the following operations are made.

- a) The power-out terminal becomes in “L” (low) state, i.e., power off, and reads the initial-state setting diodes.
- b) Initializes the preset-memories contents of each figures from 0 to 9 to its 150 kHz frequency.
- c) Initializes the last-channel memories contents of the above each cases to its 150 kHz frequency.
- d) Sets the clock and alarm time to “0:00”, and resets the “second” starting.
- e) And the LCD displays the following clock display.



2) Backup Condition:

CE = Low

The backup state is made when the CE terminal becomes in “L” (low) state. In the backup state, the program routines are intermittently performed to eliminate the current drain by using the “HALT” command. The operation routine is as follows.

- a) The PLL is disabled.
- b) All the ports are made into “L” (low) state.
- c) LCD displays remains only for the clock display.

Note: The same operations are made in the radio-off state when CE is “H” (high).

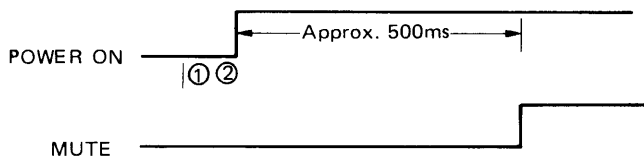
2-1-4. MUTING-OUTPUT TIMINGS

1) MUTE-OUTPUT

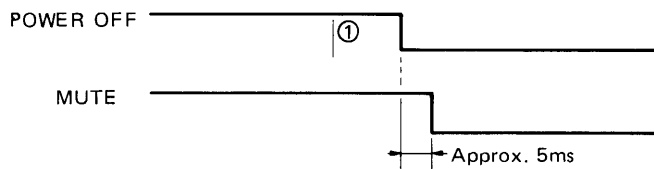
- 1 Allowance for key-on chattering (approx. 15msec).
- 2 Range check, N count, and PLL DATA output.

MUTE: Mute mode at low level.

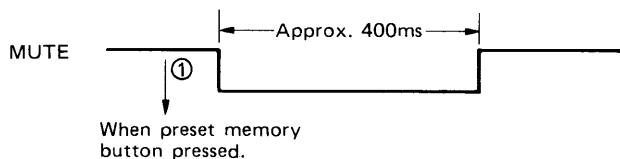
a) RADIO ON



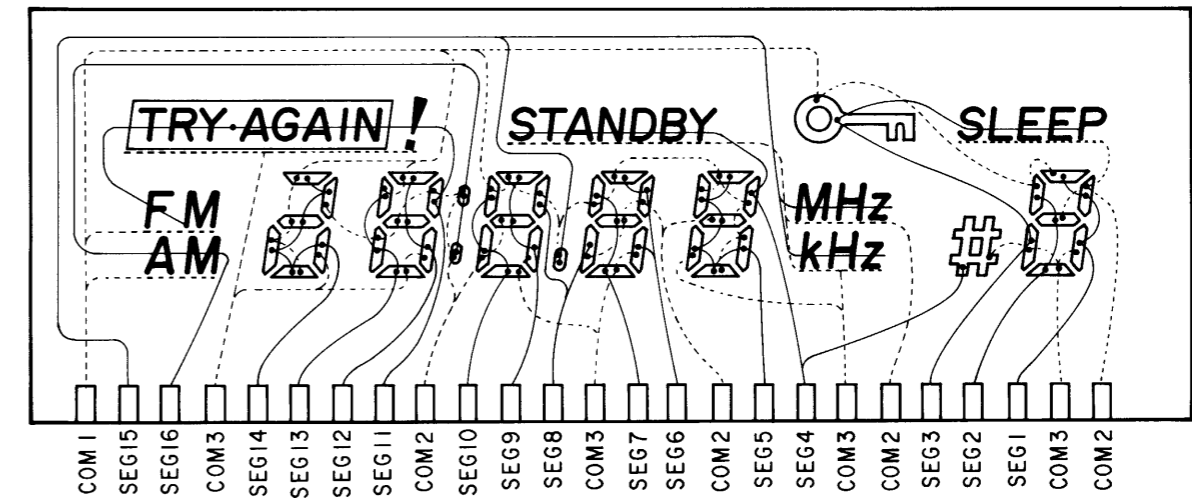
b) RADIO OFF



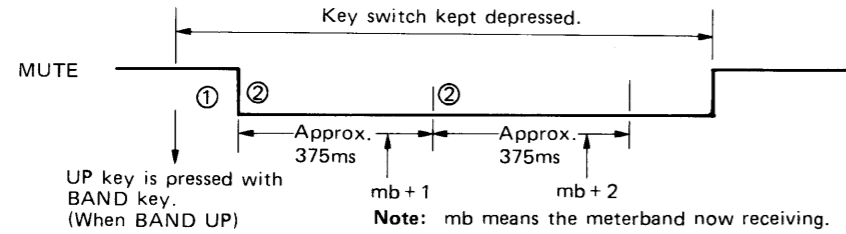
c) Preset selection, Direct selection, Band switching (Band UP/DOWN, manual selection).



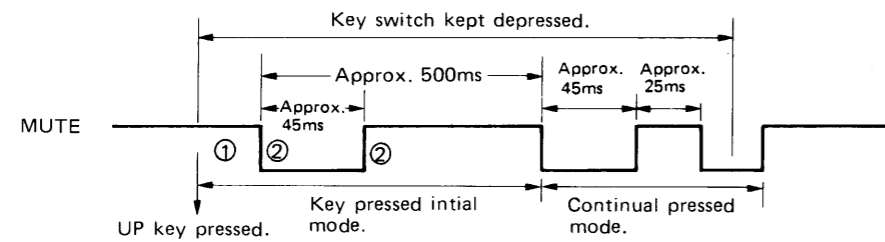
2-1-5. SEGMENTS AND COMMONS OF LIQUID-CRYSTAL DISPLAY PANEL (LCD801)



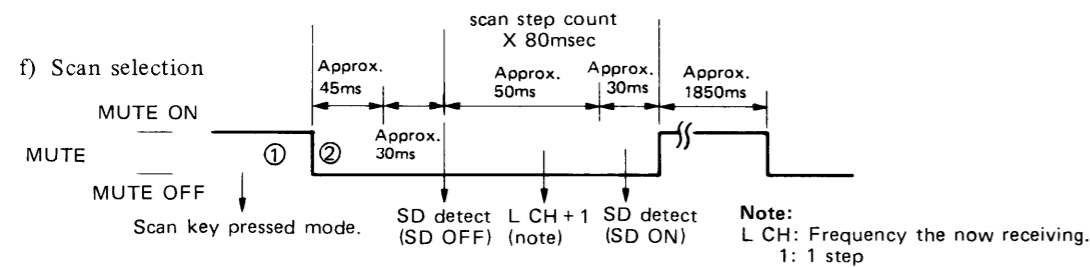
d) Continual band UP/DOWN



e) Continual frequency UP/DOWN (manual selection)
In the same band

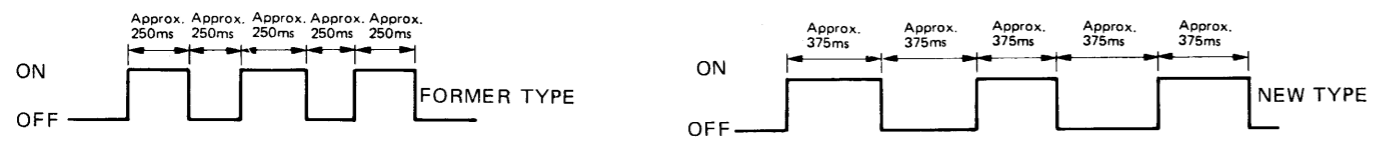


f) Scan selection

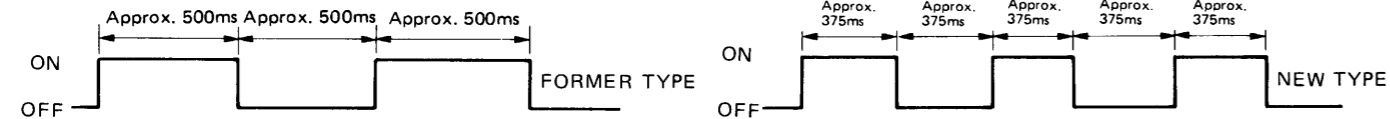


2) DISPLAY FLICKER PERIOD

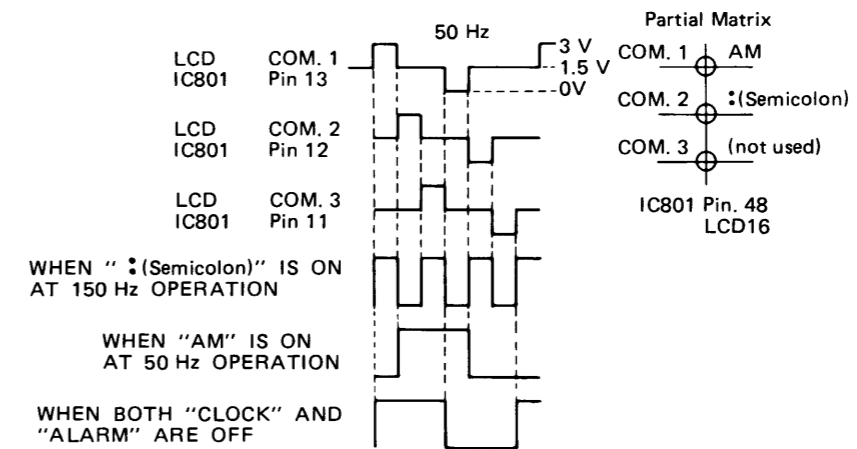
a) Time/Alarm set flicker



b) TRY AGAIN! Memory write # flicker.



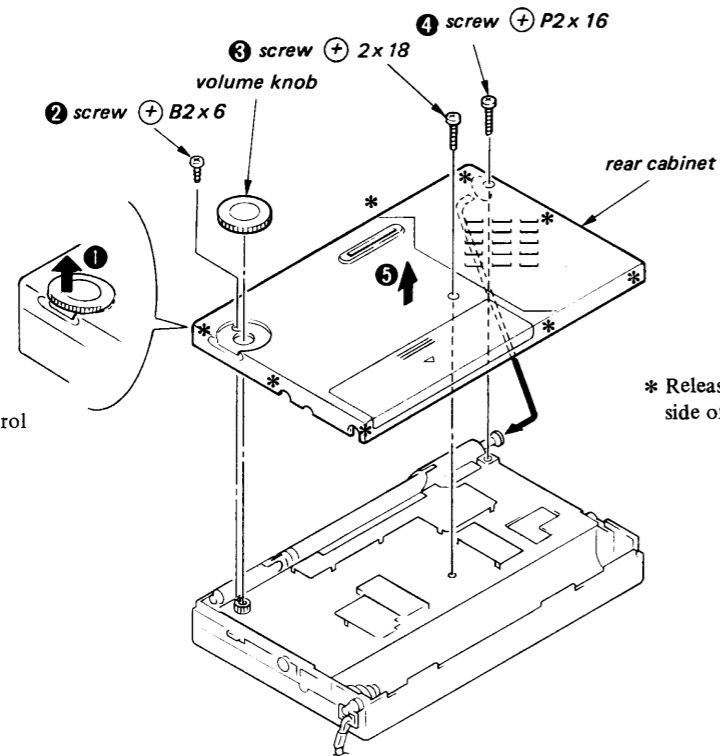
2-1-6. RELATIONSHIP OF LCD (LCD801) SEGMENTS TO LSI PINS



SECTION 3 DISASSEMBLY

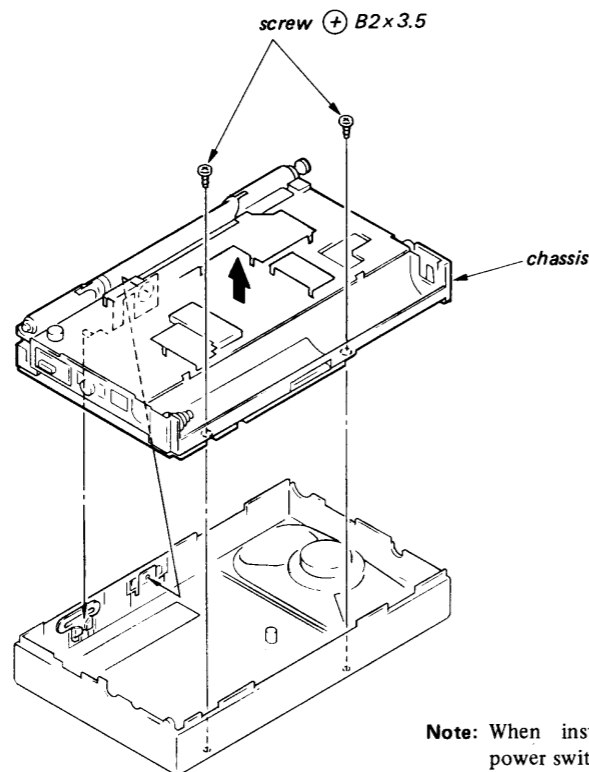
Note: Follow the disassembly procedure in the numerical order given.

REAR CABINET



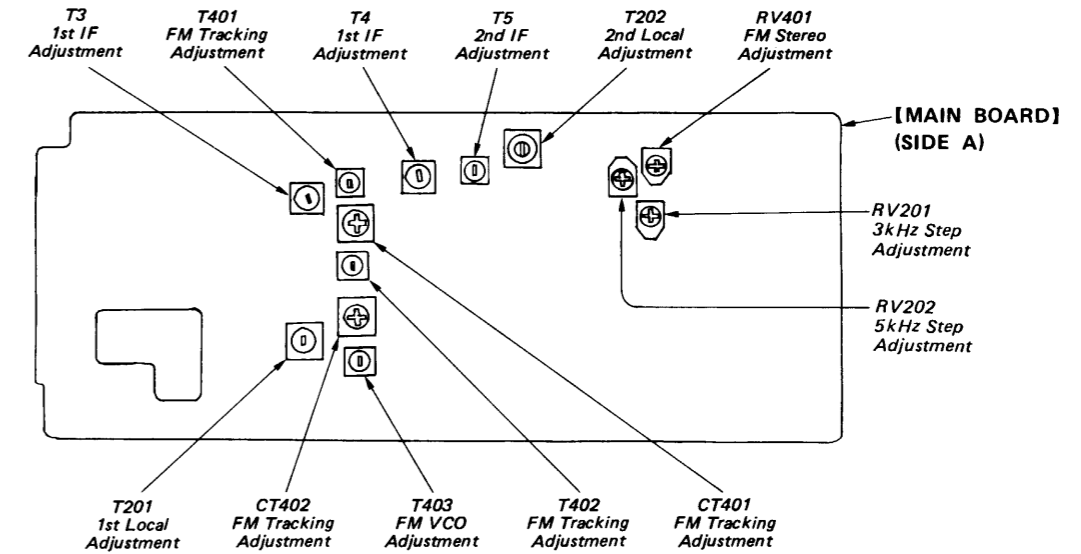
Note:
Pull the volume control knob vertically.

CHASSIS



SECTION 4 ELECTRICAL ADJUSTMENTS

● Parts location diagram relevant to the adjustment

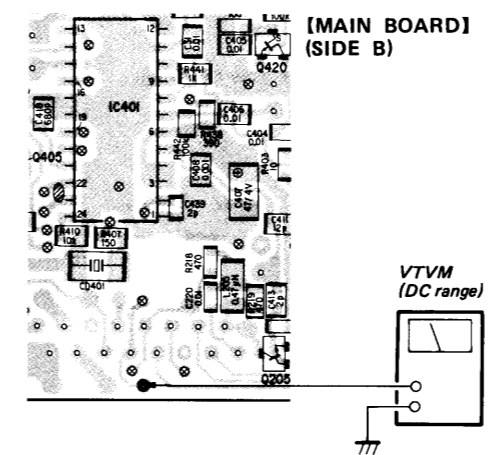


● AM SECTION

1st LOCAL ADJUSTMENT

Setup:

VOLUME control: as required



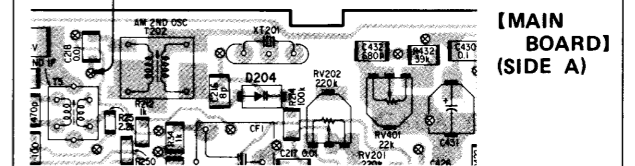
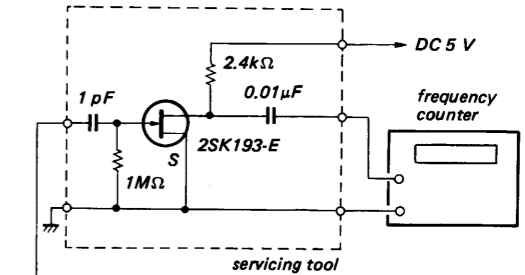
Procedure:

1. Tune the set to AM 150 kHz.
2. Adjust T201 to obtain a 2.59 – 2.61 V on the VTVM.
3. Tune the set to AM 29.995 MHz.
4. Confirm that the voltage reading on the VTVM is less than 12 V.

2nd LOCAL ADJUSTMENT/3 kHz STEP/5 kHz STEP ADJUSTMENT

Setup:

VOLUME control: as required



Procedure:

- 2nd LOCAL ADJUSTMENT
 1. Tune the set to AM 153 kHz.
 2. Adjust T202 to obtain a 55.3899 – 55.3901 MHz on the frequency counter.
- 3 kHz STEP ADJUSTMENT
 3. Tune the set to AM 156 kHz.
 4. Adjust RV201 to obtain a 55.3849 – 55.3851 MHz on the frequency counter.
- 5 kHz STEP ADJUSTMENT
 5. Tune the set to AM 1,620 kHz.
 6. Adjust RV202 to obtain a 55.850 MHz on the frequency counter.

● Semiconductor Location

Ref. No.	Location	Ref. No.	Location	Ref. No.	Location
D1	D-13	D813	J-24	O409	B-21
D2	D-13			O410	C-18
D3	B-13	IC401	C-6	O411	C-18
D4	B-14	IC402	B-3	O412	C-17
D5	B-13	IC601	D-3	O413	B-2
D6	B-9	IC801	I-5	O420	C-7
D7	B-9	IC802	H-4	O602	E-19
D8	D-13	IC803	I-3	O603	D-19
D203	D-16	IC804	H-1	O605	E-21
D204	B-19			O606	B-2
D401	B-17	O1	C-10	O607	B-2
D402	D-17	O2	B-14	O801	J-4
D403	D-17	O3	C-8	O802	J-4
D601	C-4	O4	B-15	O804	G-2
D602	D-4	O5	B-6	O805	I-2
D604	E-19	O6	B-5	O806	I-1
D801	J-4	O7	C-5	O807	I-1
D802	J-6	O201	E-8	O808	J-3
D803	I-24	O202	C-8	O809	H-3
D804	I-24	O203	B-4	O811	I-1
D805	I-24	O205	E-7	O812	I-2
D806	G-22	O401	C-18	O813	J-1
D807	G-1	O402	D-17	O814	J-1
D808	H-2	O403	C-17	O815	I-1
D809	I-2	O405	D-5	O816	I-4
D810	I-2	O406	C-20	O817	J-3
D811	I-4	O407	C-3	O818	J-4
D812	I-3	O408	C-3		

Note:
● Color code or sleeving over the end of the jacket.

Destination	New Type Serial No.
US	23901 and later
Canadian	A24701 and later
AEP	24801 and later
UK	33401 and later
E	22691 and later
Australian	30501 and later

- : parts extracted from the component side.
- : parts extracted from the conductor side.
- ⊗ : Through hole.
- ▨ : Pattern on the side which is seen.
- ⊗ ⊗ : Through hole to SIDE A and SIDE B indicate to jointed number and connection.
- ○ : SIDE A and SIDE B indicate to jointed number and connection.
- : parts mounted on the conductor side.

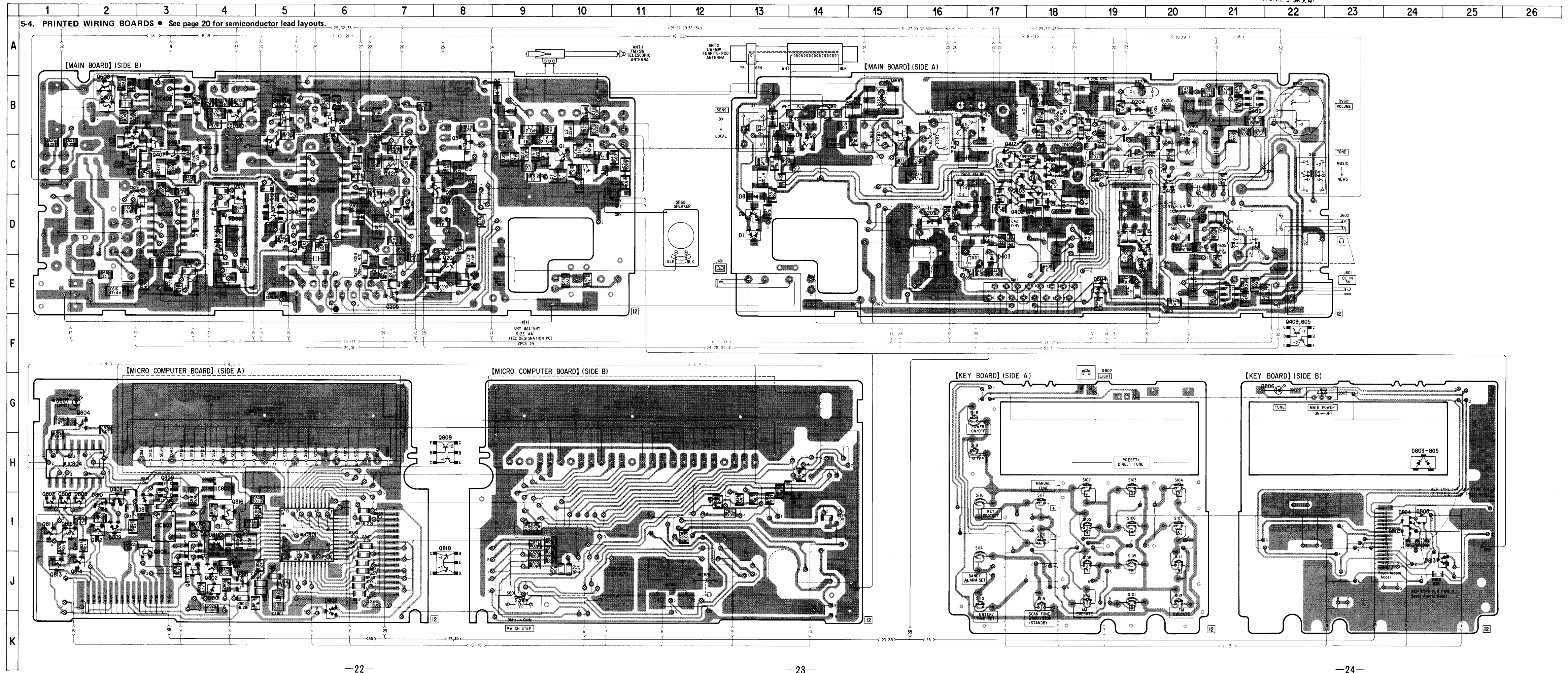
NEW TYPE

SEE ADDITIONAL INFORMATION

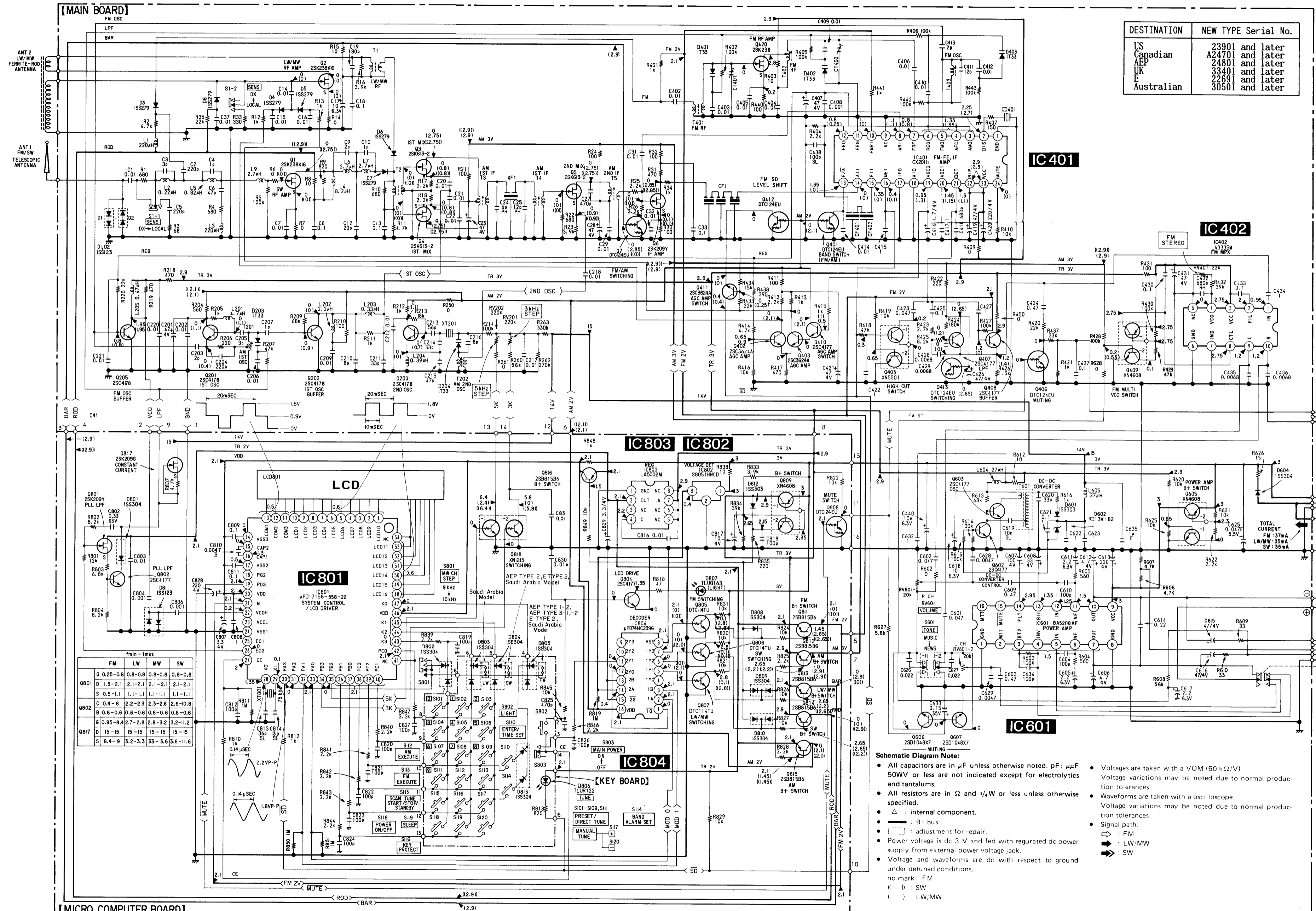
NEW TYPE

SEE ADDITIONAL INFORMATION

NEW TYPE

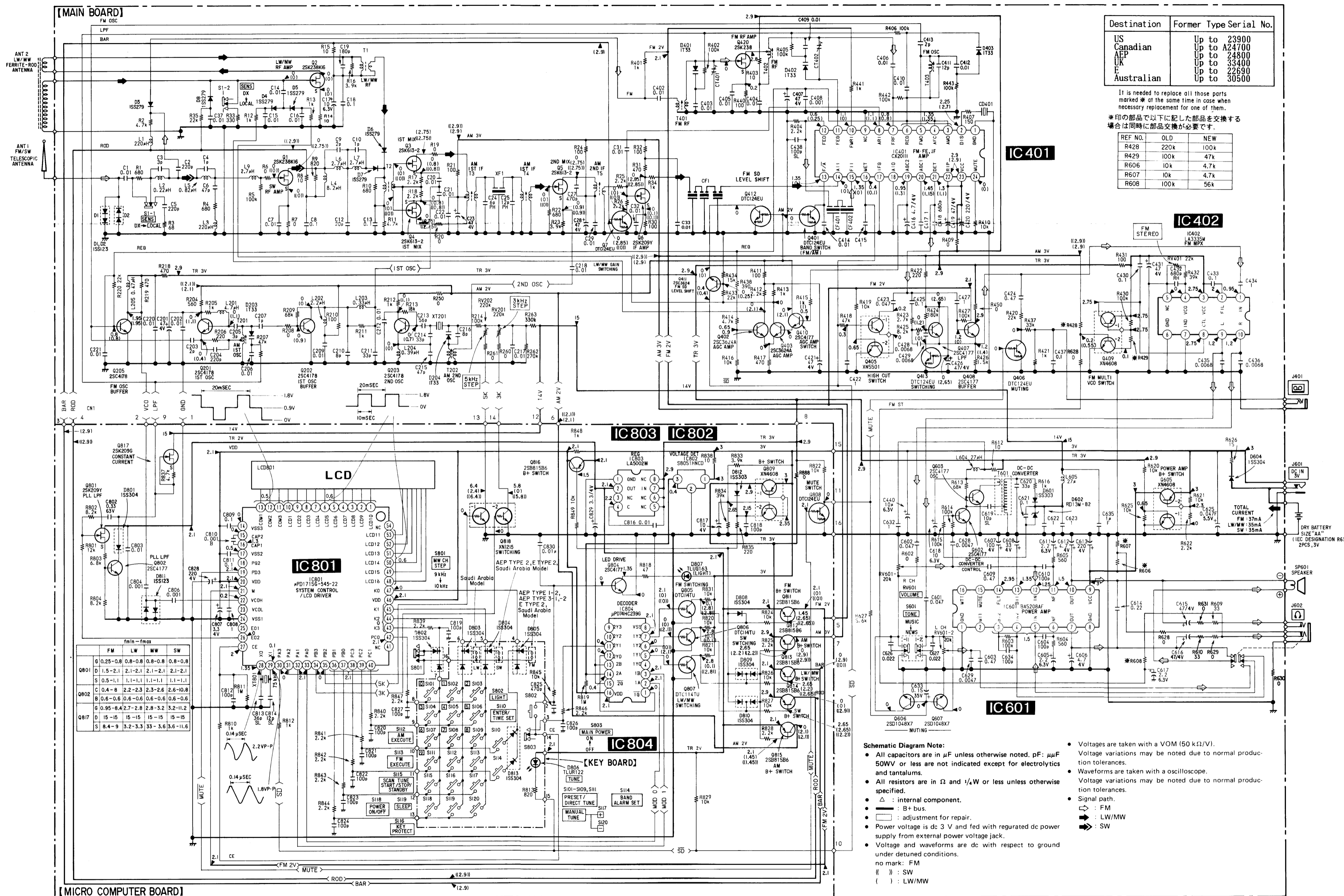


5-5. SCHEMATIC DIAGRAM • See page 14 for liquid-crystal panel (LCD801).
• See page 35 for IC block diagrams.

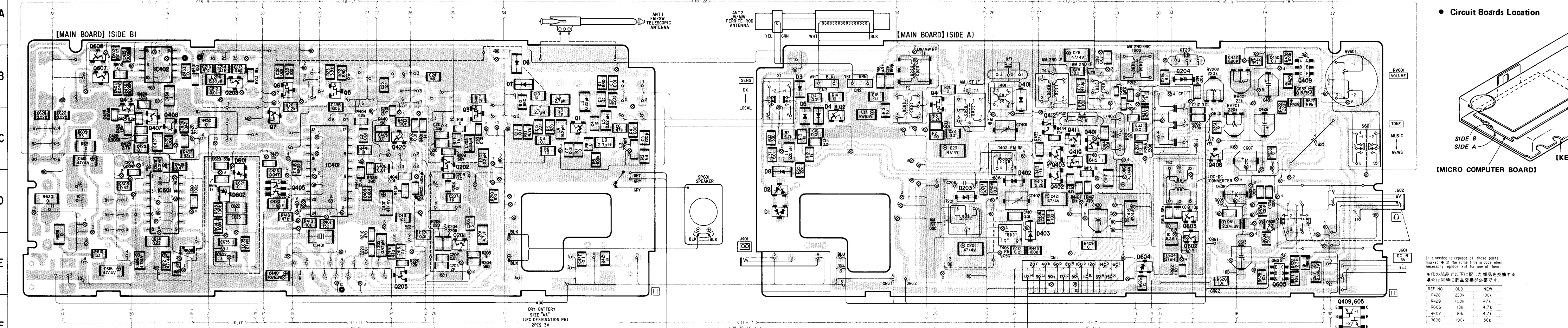


DESTINATION	NEW TYPE Serial No.
US	23901 and later
Canadian	A24701 and later
ALP	24801 and later
UK	33401 and later
E	22691 and later
Australian	30501 and later

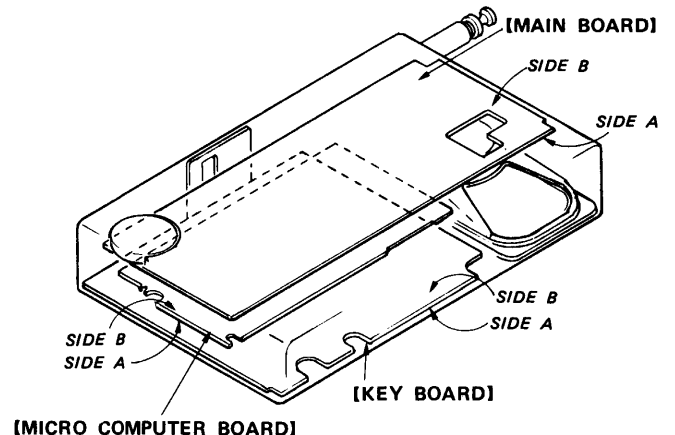
5-6. SCHEMATIC DIAGRAM • See page 14 for liquid-crystal panel (LCD801).
• See page 35 for switch position and IC block diagrams.



5-7. PRINTED WIRING BOARDS

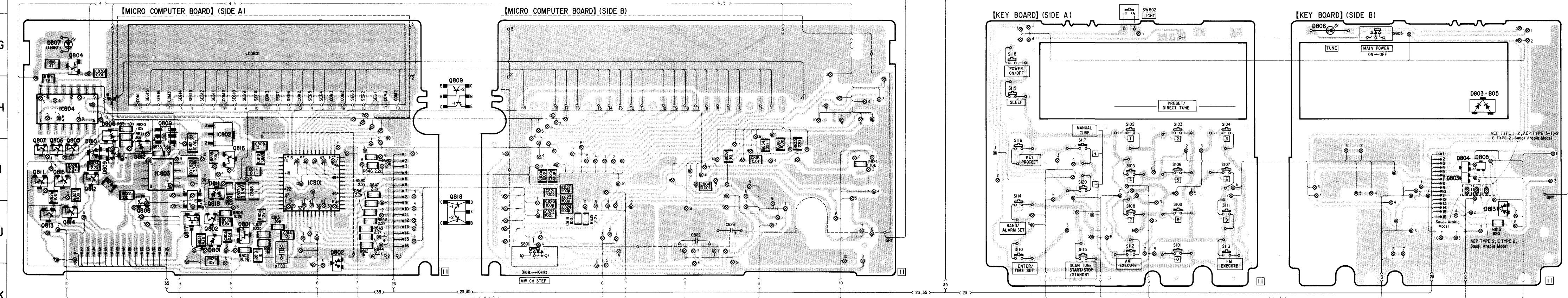


● Circuit Boards Location



● Semiconductor Location

Ref. No.	Location	Ref. No.	Location	Ref. No.	Location
D1	D-13	D813	J-24	Q409	B-21
D2	D-13			Q410	C-18
D3	B-13	IC401	C-6	Q411	C-18
D4	B-14	IC402	B-3	Q412	C-17
D5	B-13	IC601	D-3	Q413	B-2
D6	B-9	IC801	I-5	Q420	C-7
D7	B-9	IC802	H-4	Q602	E-19
D8	D-13	IC803	I-3	Q603	D-19
D203	D-16	IC804	H-1	Q605	E-21
D204	B-19			Q606	B-2
D401	B-17	01	C-10	Q607	B-2
D402	D-17	02	B-14	Q801	J-4
D403	D-17	03	C-8	Q802	J-4
D601	C-4	04	B-15	Q804	G-2
D602	D-4	05	B-6	Q805	I-2
D604	E-19	06	B-5	Q806	I-1
D801	J-4	07	C-5	Q807	I-1
D802	J-6	0201	E-8	Q808	J-3
D803	I-24	Q202	C-8	Q809	H-3
D804	I-24	Q203	B-4	Q811	I-1
D805	I-24	Q205	E-7	Q812	I-2
D806	G-22	Q401	C-18	Q813	J-1
D807	G-1	Q402	D-17	Q814	J-1
D808	H-2	Q403	C-17	Q815	I-1
D809	I-2	Q405	D-5	Q816	I-4
D810	I-2	Q406	C-20	Q817	J-3
D811	I-4	Q407	C-3	Q818	J-4
D812	I-3	Q408	C-3		



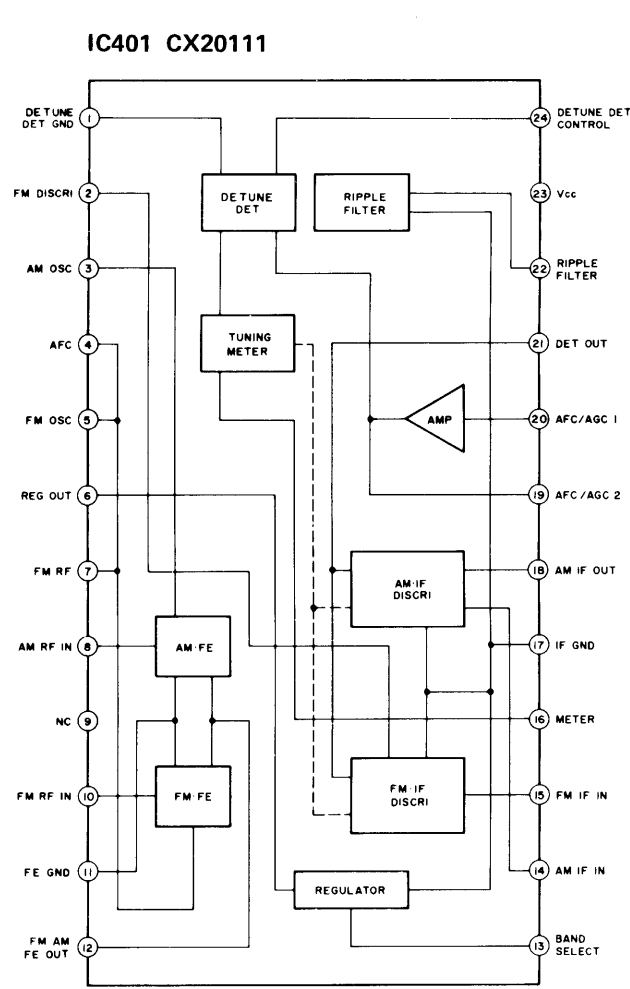
Note:

- Color code or sleeving over the end of the jacket.
- : parts extracted from the component side.
- : parts extracted from the conductor side.
- ⊗ : Through hole.
- ⊙ : Pattern on the side which is seen.
- ⊗ : Through hole to SIDE A and SIDE B indicate to jointed number and connection.
- : SIDE A and SIDE B indicate to jointed number and connection.
- : parts mounted on the conductor side.

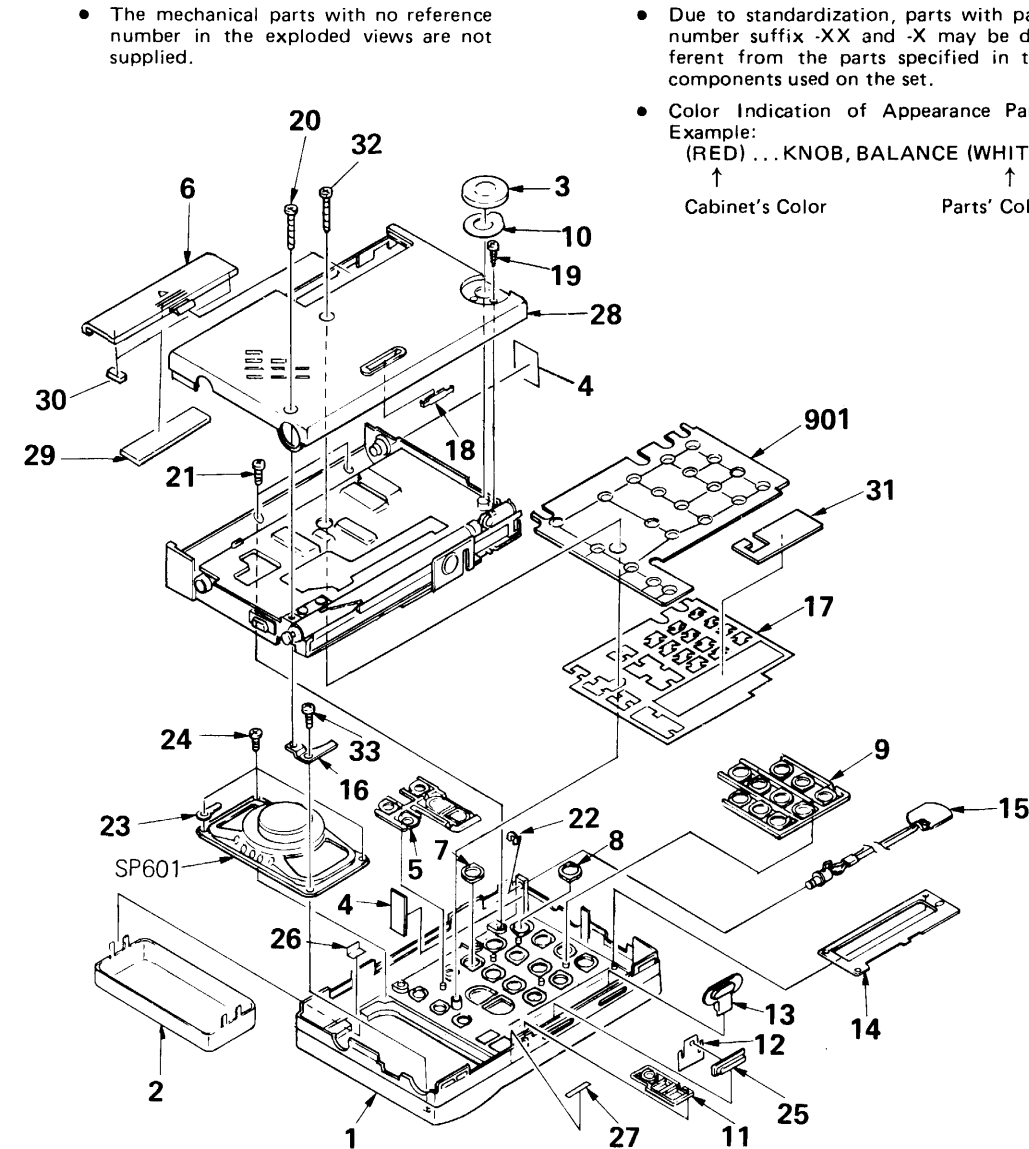
Destination	Former Type Serial No.
US	Up to 23900
Canadian	Up to A24700
AEP	Up to 24800
UK	Up to 33400
E	Up to 22690
Australian	Up to 30500

SECTION 6
EXPLODED VIEWS

5-8. IC BLOCK DIAGRAM



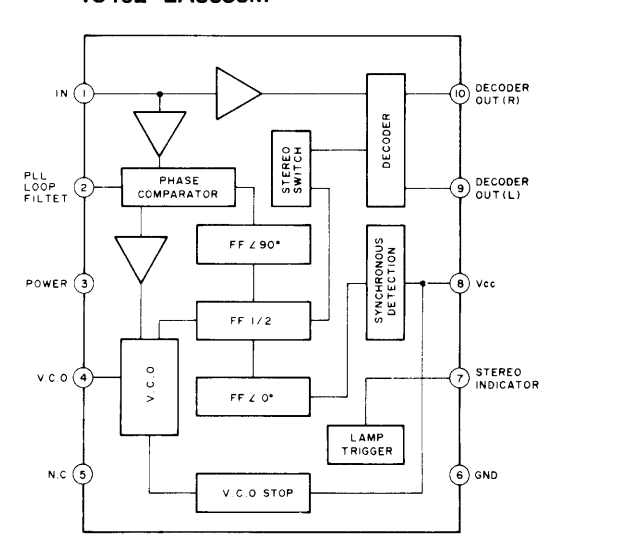
6-1.



- NOTE:
- The mechanical parts with no reference number in the exploded views are not supplied.
 - Due to standardization, parts with part number suffix -XX and -X may be different from the parts specified in the components used on the set.
 - Color Indication of Appearance Parts Example: (RED) ... KNOB, BALANCE (WHITE)
 - Cabinet's Color Parts' Color

No.	Part No.	Description	Remarks	No.	Part No.	Description	Remarks
1	X-3899-501-1	CABINET (FRONT) ASSY		15	X-3899-503-1	STRAP ASSY, HAND	
2	3-899-527-01	PANEL, SPEAKER		16	3-899-526-01	BRACKET	
3	3-899-506-01	KNOB (VOLUME)		17	3-899-548-01	SHEET (A), RETAINER	
4	*3-899-575-01	SHEET (STRAP)		18	3-899-533-01	HOLDER	
5	3-899-549-01	SCREW (DOUBLE)		19	7-685-104-19	SCREW (B 2X6), P TAPPING	
6	3-899-535-01	LID, BATTERY CASE		20	7-621-256-00	SCREW +P 2X16	
7	3-899-561-01	BUTTON (10 KEY)		21	2-370-905-31	SCREW +PTP 2X3.5	
8	3-899-560-01	BUTTON (10 KEY)		22	7-624-102-04	STOP RING 1.5, TYPE -E	
9	3-899-551-01	BUTTON (10 KEY)		23	7-623-505-01	LUG, 2	
10	*3-899-570-01	SHEET (VR)		24	*4-908-792-11	SCREW (B 2X3), TAPPING, P1	
11	3-899-550-01	BUTTON (POWER)		25	3-899-510-01	(US,Canadian,Australian E TYPE1-2/2,Saudi Arabia AEP TYPE1-1/1-2/2/3-1/3-2,UK) ...BUTTON (LIGHT)	
12	3-899-534-01	SHEET (B), RETAINER		26	*3-899-577-01	COPPER LEAF (A)	
13	3-899-511-01	KNOB (MAIN POWER)		27	*3-899-581-01	COPPER LEAF (B)	
14	3-899-531-01	(US,Canadian,Australian E TYPE1-1/1-2 AEP TYPE3-1/3-2)....PLATE, BACK		28	3-899-558-11	CABINET (REAR)	
				29	3-831-441-XX	CUSHION (B)	
				30	3-831-441-11	SPACER	
				31	3-899-573-01	MEMBRANE, CONDUCTIVE	
				32	3-564-708-21	SCREW, TAPPING +2X18	
				33	4-908-792-21	SCREW (B 2X4), TAPPING, P1	
				901	1-571-386-11	SWITCH, RUBBER KEY (S101-S120)	
				SP601	1-503-842-11	SPEAKER	

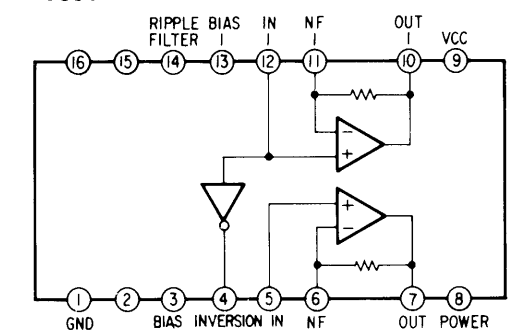
IC402 LA3335M



Switches:

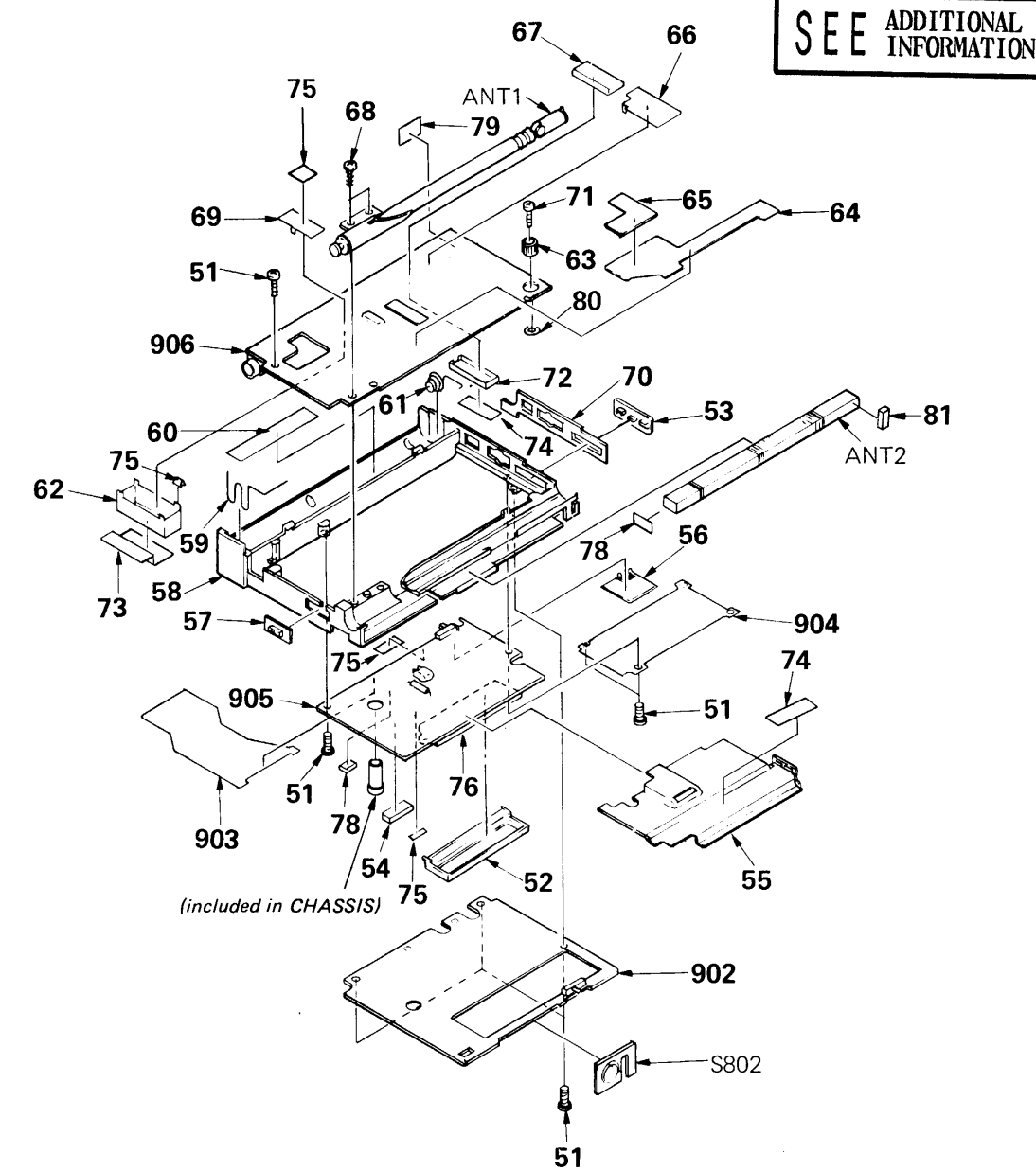
Ref. No.	Switch	Position
S1	SENS	DX
S101	0	OFF
S102	1	OFF
S103	2	OFF
S104	3	OFF
S105	4	OFF
S106	5	OFF
S107	6	OFF
S108	7	OFF
S109	8	OFF
S110	ENTER/TIME SET	OFF
S111	9	OFF
S112	AM EXECUTE	OFF
S113	FM EXECUTE	OFF
S114	BAND ALARM SET	OFF
S115	SCAN TUNE	OFF
S116	KEY PROJECT	OFF
S117	+ -	OFF
S118	POWER	OFF
S119	SLEEP	OFF
S120	-	OFF
S601	TONE	MUSIC
S801	MW CH STEP	9 kHz
S802	LIGHT	OFF
S803	MAIN POWER	OFF

IC601 BA5208AF



SECTION 7
ELECTRICAL PARTS LIST

6-2.



No.	Part No.	Description	Remarks	No.	Part No.	Description	Remarks
40	1-162-970-11	CERAMIC CHIP 0.01MF	10%	25V	71	7-627-850-67	SCREW, PRECISION +P 1.4X4
41	1-162-957-11	CERAMIC CHIP 220PF	5%	50V	72	*3-899-524-01	CASE, SHIELD
42	1-162-934-11	CERAMIC CHIP 3PF	0.25PF	50V	73	*3-899-576-01	SHEET (VCO)
43	1-162-930-11	CERAMIC CHIP 1PF	0.25PF	50V	74	*3-899-575-01	SHEET (STRAP)
44	1-162-957-11	CERAMIC CHIP 220PF	5%	50V	75	*3-899-582-01	INSULATOR (E)
45	1-162-949-11	CERAMIC CHIP 47PF	5%	50V	76	*3-899-507-01	PLATE, LIGHT GUIDE
46	1-162-970-11	CERAMIC CHIP 0.01MF	10%	25V	77	9-911-844-XX	SPEAKER (B)
47	1-164-004-11	CERAMIC CHIP 0.1MF	10%	25V	78	*3-339-464-01	CUSHION (LED)
48	1-162-932-11	CERAMIC CHIP 2PF	0.25PF	50V	79	7-823-953-01	WASHER
49	1-162-930-11	CERAMIC CHIP 1PF	0.25PF	50V	80	1-162-970-11	CERAMIC CHIP 0.01MF
50	1-164-113-11	CERAMIC CHIP 20PF	5%	50V	81	*3-558-814-01	CUSHION
51	1-162-949-11	CERAMIC CHIP 47PF	5%	50V	82	A-3679-087-A	MOUNTED PCB, KEY
52	1-162-970-11	CERAMIC CHIP 0.01MF	10%	25V	83	1-625-372-11	PC BOARD, MICON FLEXIBLE
53	1-164-004-11	CERAMIC CHIP 0.1MF	10%	25V	84	1-625-371-11	PC BOARD, MA FLEXIBLE
54	1-162-970-11	CERAMIC CHIP 0.01MF	10%	25V	85	A-3675-007-A	MOUNTED PCB, MICRO COMPUTER
55	1-162-970-11	CERAMIC CHIP 0.01MF	10%	25V	86	*3-899-528-01	SPRING
56	1-162-970-11	CERAMIC CHIP 0.01MF	10%	25V	87	*3-899-522-01	CASE (AM LOCAL), SHIELD
57	1-162-970-11	CERAMIC CHIP 0.01MF	10%	25V	88	3-899-505-01	SHAFT
58	1-162-970-11	CERAMIC CHIP 0.01MF	10%	25V	89	*3-899-505-1	PLATE (1F) ASSY, SHIELD
59	1-162-970-11	CERAMIC CHIP 0.01MF	10%	25V	90	*3-899-574-01	SHEET (SPEAKER)
60	1-162-970-11	CERAMIC CHIP 0.01MF	10%	25V	91	*3-899-506-1	PLATE (AF) ASSY, SHIELD
61	1-162-970-11	CERAMIC CHIP 0.01MF	10%	25V	92	*3-899-523-01	CASE, SHIELD
62	1-162-970-11	CERAMIC CHIP 0.01MF	10%	25V	93	7-685-104-19	SCREW (B 2X6), P TAPPING
63	1-162-970-11	CERAMIC CHIP 0.01MF	10%	25V	94	*3-899-504-1	SWITCH, RUBBER KEY (S101-S120)
64	1-162-970-11	CERAMIC CHIP 0.01MF	10%	25V	95	1-571-385-11	SWITCH, KEY BOARD (LIGHT)
65	1-162-970-11	CERAMIC CHIP 0.01MF	10%	25V	96	*3-899-525-01	REINFORCEMENT
66	1-162-970-11	CERAMIC CHIP 0.01MF	10%	25V			
67	1-162-970-11	CERAMIC CHIP 0.01MF	10%	25V			
68	1-162-970-11	CERAMIC CHIP 0.01MF	10%	25V			
69	1-162-970-11	CERAMIC CHIP 0.01MF	10%	25V			
70	1-162-970-11	CERAMIC CHIP 0.01MF	10%	25V			
71	1-162-970-11	CERAMIC CHIP 0.01MF	10%	25V			
72	1-162-970-11	CERAMIC CHIP 0.01MF	10%	25V			
73	1-162-970-11	CERAMIC CHIP 0.01MF	10%	25V			
74	1-162-970-11	CERAMIC CHIP 0.01MF	10%	25V			
75	1-162-970-11	CERAMIC CHIP 0.01MF	10%	25V			
76	1-162-970-11	CERAMIC CHIP 0.01MF	10%	25V			
77	1-162-970-11	CERAMIC CHIP 0.01MF	10%	25V			
78	1-162-970-11	CERAMIC CHIP 0.01MF	10%	25V			
79	1-162-970-11	CERAMIC CHIP 0.01MF	10%	25V			
80	1-162-970-11	CERAMIC CHIP 0.01MF	10%	25V			
81	1-162-970-11	CERAMIC CHIP 0.01MF	10%	25V			
82	1-162-970-11	CERAMIC CHIP 0.01MF	10%	25V			
83	1-162-970-11	CERAMIC CHIP 0.01MF	10%	25V			
84	1-162-970-11	CERAMIC CHIP 0.01MF	10%	25V			
85	1-162-970-11	CERAMIC CHIP 0.01MF	10%	25V			
86	1-162-970-11	CERAMIC CHIP 0.01MF	10%	25V			
87	1-162-970-11	CERAMIC CHIP 0.01MF	10%	25V			
88	1-162-970-11	CERAMIC CHIP 0.01MF	10%	25V			
89	1-162-970-11	CERAMIC CHIP 0.01MF	10%	25V			
90	1-162-970-11	CERAMIC CHIP 0.01MF	10%	25V			
901	1-571-386-11	SWITCH, RUBBER KEY (S101-S120)					
902	A-3679-087-A	MOUNTED PCB, KEY					
903	1-625-372-11	PC BOARD, MICON FLEXIBLE					
904	1-625-371-11	PC BOARD, MA FLEXIBLE					
905	A-3675-007-A	MOUNTED PCB, MICRO COMPUTER					
906	A-3615-207-A	MOUNTED PCB, MAIN					
ANT1	1-501-401-11	ANTENNA, TELESCOPIC					
ANT2	1-402-345-11	ANTENNA, FERRITE-ROD (LW/MW)					
S802	1-571-385-11	SWITCH, KEY BOARD (LIGHT)					

NOTE:

- Due to standardization, replacements in the parts list may be different from the parts specified in the diagrams of the components used on the set.
- Items marked "A" are not stocked since they are seldom required for routine service. Some delay should be anticipated when ordering these items.
- If there are two or more same circuits in a set such as a stereophonic machine, only typical circuit parts may be indicated and capacitors and resistors in other same circuits may be omitted.

CAPACITORS:

- MF: μ F, PF: μ MF.
- RESISTORS
- All resistors are in ohms.
- F: nonflammable
- COILS
- MMH: mH, UH: μ H

SEMICONDUCTORS

- In each case, U: μ , for example: UA...: μ A..., UPA...: μ PA..., UPC...: μ PC, UPD...: μ PD...

The components identified by mark A or dotted line with mark A are critical for safety. Replace only with part number specified.

Les composants identifiés par une marque A sont critiques pour la sécurité. Ne les remplacer que par une pièce portant le numéro spécifié.

Ref.No.	Part No.	Description	Ref.No.	Part No.	Description	Ref.No.	Part No.	Description	Ref.No.	Part No.	Description
901	1-571-386-11	SWITCH, RUBBER KEY (S101-S120)	C206	1-162-839-11	CERAMIC 0.01MF	20%	16V				
902	A-3679-087-A	MOUNTED PCB, KEY	C207	1-162-930-11	CERAMIC CHIP 1PF	0.25PF	50V				
903	1-625-372-11	PC BOARD, MICON FLEXIBLE	C209	1-162-970-11	CERAMIC CHIP 0.01MF	10%	25V				
904	1-625-371-11	PC BOARD, MA FLEXIBLE	C210	1-162-939-11	CERAMIC CHIP 8PF	0.5PF	50V				
905	A-3675-007-A	MOUNTED PCB, MICRO COMPUTER	C211	1-162-947-11	CERAMIC CHIP 33PF	5%	50V				
906	A-3615-207-A	MOUNTED PCB, MAIN	C212	1-162-970-11	CERAMIC CHIP 0.01MF	10%	25V				
ANT1	1-501-401-11	ANTENNA, TELESCOPIC	C213	1-162-950-11	CERAMIC CHIP 56PF	5%	50V				
ANT2	1-402-345-11	ANTENNA, FERRITE-ROD (LW/MW)	C214	1-163-105-00	(NEW)... CERAMIC CHIP 33PF	5%	50V				
			C215	1-163-109-00	(FORMER)... CERAMIC CHIP 33PF	5%	50V				
			C216	1-162-939-11	CERAMIC CHIP 8PF	0.5PF	50V				
			C217	1-162-970-11	CERAMIC CHIP 0.01MF	10%	25V				
			C218	1-162-970-11	CERAMIC CHIP 0.01MF	10%	25V				
			C220	1-162-970-11	CERAMIC CHIP 0.01MF	10%	25V				
			C221	1-163-021-00	CERAMIC CHIP 0.01MF	10%	50V				
			C402	1-162-970-11	CERAMIC CHIP 0.01MF	10%	25V				
			C403	1-162-970-11	CERAMIC CHIP 0.01MF	10%	25V				
			C404	1-162-970-11	CERAMIC CHIP 0.01MF	10%	25V				
			C405	1-162-970-11	CERAMIC CHIP 0.01MF	10%	25V				
			C406	1-162-970-11	CERAMIC CHIP 0.01MF	10%	25V				
			C407	1-135-098-21	TANTAL. CHIP 47MF	20%	4V				
			C408	1-163-141-00	CERAMIC CHIP 0.001MF	5%	50V				
			C409	1-162-970-11	CERAMIC CHIP 0.01MF	10%	25V				
			C410	1-162-970-11	CERAMIC CHIP 0.01MF	10%	25V				
			C411	1-162-942-11	CERAMIC CHIP 12PF	5%	50V				
			C412	1-162-970-11	CERAMIC CHIP 0.01MF	10%	25V				
			C413	1-162-932-11	CERAMIC CHIP 2PF	0.25PF	50V				
			C414	1-162-970-11	CERAMIC CHIP 0.01MF	10%	25V				
			C415	1-162-638-11	CERAMIC CHIP 1MF	10%	16V				
			C416	1-135-151-21	TANTAL. CHIP 4.7MF	20%	4V				
			C417	1-162-638-11	CERAMIC CHIP 1MF	10%	16V				
			C23	1-135-098-21	TANTAL. CHIP 47MF	20%	4V				
			C24	1-163-089-00	CERAMIC CHIP 6PF	0.25PF	50V				
			C25	1-163-095-00	CERAMIC CHIP 12PF	5%	50V				
			C27	1-163-133-00	CERAMIC CHIP 470PF	5%	50V				
			C28	1-135-098-21	TANTAL. CHIP 47MF	20%	4V				
			C29	1-162-970-11	CERAMIC CHIP 0.01MF	10%	25V				
			C31	1-16							

Ref.No.	Part No.	Description			
C433	1-163-038-00	CERAMIC CHIP 0.1MF		25V	
C434	1-162-638-11	CERAMIC CHIP 1MF		16V	
C435	1-162-969-11	CERAMIC CHIP 0.0068MF	10%	25V	
C436	1-162-969-11	CERAMIC CHIP 0.0068MF	10%	25V	
C437	1-164-004-11	CERAMIC CHIP 0.1MF	10%	25V	
C438	1-163-117-00	CERAMIC CHIP 100PF	5%	50V	
C440	1-135-157-21	TANTAL. CHIP 10MF	20%	6.3V	
C601	1-163-809-11	CERAMIC CHIP 0.047MF	10%	25V	
C602	1-163-809-11	CERAMIC CHIP 0.047MF	10%	25V	
C603	1-164-005-11	CERAMIC CHIP 0.47MF	25V		
C604	1-162-953-11	CERAMIC CHIP 100PF	5%	50V	
C605	1-135-099-00	TANTAL. CHIP 2.2MF	20%	6.3V	
C606	1-135-151-21	TANTAL. CHIP 4.7MF	20%	4V	
C607	1-126-209-11	ELECT 100MF	20%	4V	
C608	1-126-207-11	ELECT 33MF	20%	4V	
C609	1-164-005-11	CERAMIC CHIP 0.47MF	25V		
C610	1-162-953-11	CERAMIC CHIP 100PF	5%	50V	
C611	1-135-099-00	TANTAL. CHIP 2.2MF	20%	6.3V	
C612	1-135-151-21	TANTAL. CHIP 4.7MF	20%	4V	
C613	1-126-246-11	ELECT 220MF	20%	4V	
C614	1-163-081-00	CERAMIC CHIP 0.22MF		25V	
C615	1-135-098-21	TANTAL. CHIP 47MF	20%	4V	
C616	1-135-098-21	TANTAL. CHIP 47MF	20%	4V	
C617	1-135-099-00	TANTAL. CHIP 2.2MF	20%	6.3V	
C618	1-135-157-21	TANTAL. CHIP 10MF	20%	6.3V	
C619	1-162-941-11	CERAMIC CHIP 10PF	0.5PF	50V	
C620	1-162-947-11	CERAMIC CHIP 33PF	5%	50V	
C621	1-163-038-00	CERAMIC CHIP 0.1MF		25V	
C622	1-162-638-11	CERAMIC CHIP 1MF		16V	
C623	1-162-638-11	CERAMIC CHIP 1MF		16V	
C625	1-125-513-11	DOUBLE LAYERS 0.047F		5.5V	
C626	1-163-037-11	CERAMIC CHIP 0.022MF	10%	25V	
C627	1-163-037-11	CERAMIC CHIP 0.022MF	10%	25V	
C628	1-162-968-11	CERAMIC CHIP 0.0047MF	10%	50V	
C629	1-162-968-11	CERAMIC CHIP 0.0047MF	10%	50V	
C632	1-162-638-11	CERAMIC CHIP 1MF		16V	
C633	1-135-071-21	TANTAL. CHIP 0.15MF	20%	35V	
C634	1-162-953-11	CERAMIC CHIP 100PF	5%	50V	
C635	1-162-638-11	CERAMIC CHIP 1MF		16V	
C802	1-130-774-00	FILM 0.33MF	10%	63V	
C803	1-162-970-11	CERAMIC CHIP 0.01MF	10%	25V	
C804	1-162-964-11	CERAMIC CHIP 0.001MF	10%	50V	
C806	1-162-964-11	CERAMIC CHIP 0.001MF	10%	50V	
C807	1-135-103-00	TANTAL. CHIP 3.3MF	20%	4V	
C808	1-162-638-11	CERAMIC CHIP 1MF		16V	
C809	1-163-038-00	CERAMIC CHIP 0.1MF		25V	
C810	1-162-968-11	(NEW).... CERAMIC CHIP 0.0047MF	10%	50V	
	1-162-964-11	(FORMER).. CERAMIC CHIP 0.001MF	10%	50V	
C811	1-163-038-00	CERAMIC CHIP 0.1MF		25V	
C812	1-162-953-11	CERAMIC CHIP 100PF	5%	50V	
C813	1-164-149-11	CERAMIC CHIP 36PF	5%	50V	
C814	1-164-185-11	(NEW).... CERAMIC CHIP 13PF	5%	50V	
	1-162-942-11	(FORMER).. CERAMIC CHIP 12PF	5%	50V	
C816	1-162-970-11	CERAMIC CHIP 0.01MF	10%	25V	
C817	1-135-104-00	TANTAL. CHIP 10MF	20%	4V	
C818	1-162-953-11	CERAMIC CHIP 100PF	5%	50V	
C819	1-162-953-11	CERAMIC CHIP 100PF	5%	50V	
C820	1-162-953-11	CERAMIC CHIP 100PF	5%	50V	
C821	1-162-953-11	CERAMIC CHIP 100PF	5%	50V	

Ref.No.	Part No.	Description			
C822	1-162-953-11	CERAMIC CHIP 100PF	5%	50V	
C823	1-162-953-11	CERAMIC CHIP 100PF	5%	50V	
C824	1-162-953-11	CERAMIC CHIP 100PF	5%	50V	
C825	1-162-962-11	CERAMIC CHIP 470PF	10%	50V	
C826	1-162-953-11	CERAMIC CHIP 100PF	5%	50V	
C827	1-162-953-11	CERAMIC CHIP 100PF	5%	50V	
C828	1-124-576-11	ELECT 220MF	20%	4V	
C829	1-135-103-00	TANTAL. CHIP 3.3MF	20%	4V	
C830	1-162-970-11	CERAMIC CHIP 0.01MF	10%	25V	
C831	1-162-970-11	(NEW).... CERAMIC CHIP 0.01MF	10%	25V	
CD401	1-577-065-11	FILTER, CERAMIC			
CF1	1-577-030-11	FILTER, CERAMIC			
CF401	1-567-389-11	FILTER, CERAMIC			
CF402	1-567-389-11	FILTER, CERAMIC			
CN1	1-565-073-11	SOCKET, CONNECTOR 16P			
CN2	1-566-385-11	PIN, CONNECTOR 2P			
CN3	1-566-385-11	PIN, CONNECTOR 2P			
CT401	1-141-347-11	CAP, VAR, TRIMMER (CHIP)			
CT402	1-141-347-11	CAP, VAR, TRIMMER (CHIP)			
D1	8-719-101-23	DIODE 1SS123			
D2	8-719-101-23	DIODE 1SS123			
D3	8-719-123-79	DIODE 1SS279			
D4	8-719-123-79	DIODE 1SS279			
D5	8-719-123-79	DIODE 1SS279			
D6	8-719-123-79	DIODE 1SS279			
D7	8-719-123-79	DIODE 1SS279			
D8	8-719-123-79	DIODE 1SS279			
D203	8-713-300-00	DIODE 1T33			
D204	8-713-300-00	DIODE 1T33			
D401	8-713-300-00	DIODE 1T33			
D402	8-713-300-00	DIODE 1T33			
D403	8-713-300-00	DIODE 1T33			
D601	8-719-123-82	DIODE 1SS303			
D602	8-719-106-80	DIODE RD13M-B2			
D604	8-719-123-85	DIODE 1SS304			
D801	8-719-123-85	DIODE 1SS304			
D802	8-719-123-85	DIODE 1SS304			
D803	8-719-123-85	DIODE 1SS304			
D804	8-719-123-85	DIODE 1SS304			
D805	8-719-123-85	DIODE 1SS304			
D806	8-719-800-54	DIODE TLUR122			
D807	8-719-812-33	DIODE TLG123A			
D808	8-719-123-85	DIODE 1SS304			
D809	8-719-123-85	DIODE 1SS304			
D810	8-719-123-85	DIODE 1SS304			
D811	8-719-101-23	DIODE 1SS123			
D812	8-719-123-82	DIODE 1SS303			
D813	8-719-123-85	DIODE 1SS304			
IC401	8-752-011-11	IC CX20111			
IC402	8-759-804-98	IC LA3335M			
IC601	8-759-910-71	IC BA5208AF			
IC801	8-759-142-35	IC UPD1715G-558-22			
IC802	8-759-947-95	IC S-8051HN-CD-S			
IC803	8-759-804-76	IC LA5002M			
IC804	8-759-113-94	IC UPD74HC239G			
J401	1-507-950-21	JACK (SMALL TYPE)(REC OUT)			
J601	1-565-074-11	JACK, OUTER POWER 1P (DC IN 3V)			
J602	1-507-958-31	JACK (HEADPHONE)			

Ref.No.	Part No.	Description
L1	1-410-220-31	INDUCTOR CHIP 220UH
L2	1-410-733-21	INDUCTOR CHIP 0.22UH
L3	1-410-220-31	INDUCTOR CHIP 220UH
L4	1-410-203-51	INDUCTOR CHIP 8.2UH
L5	1-410-191-51	INDUCTOR CHIP 0.82UH
L6	1-410-197-11	INDUCTOR CHIP 2.7UH
L7	1-410-197-11	INDUCTOR CHIP 2.7UH
L9	1-410-197-11	INDUCTOR CHIP 2.7UH
L201	1-410-200-31	INDUCTOR CHIP 4.7UH
L202	1-410-196-11	INDUCTOR CHIP 2.2UH
L203	1-410-186-51	INDUCTOR CHIP 0.33UH
L204	1-410-187-41	INDUCTOR CHIP 0.39UH
L205	1-410-188-51	INDUCTOR CHIP 0.47UH
L604	1-412-011-31	INDUCTOR CHIP 27UH
L605	1-412-011-31	INDUCTOR CHIP 27UH
LCD801	1-808-270-11	DISPLAY PANEL, LIQUID CRYSTAL
Q1	8-729-123-86	TRANSISTOR 2SK238-K16
Q2	8-729-123-86	TRANSISTOR 2SK238-K16
Q3	8-769-401-59	TRANSISTOR 2SK613-3
Q4	8-769-401-59	TRANSISTOR 2SK613-3
Q5	8-769-401-59	TRANSISTOR 2SK613-3
Q6	8-729-109-42	TRANSISTOR 2SK94-X2
Q7	8-729-117-72	TRANSISTOR 2SC4178
Q201	8-729-117-72	TRANSISTOR 2SC4178
Q202	8-729-117-72	TRANSISTOR 2SC4178
Q203	8-729-117-72	TRANSISTOR 2SC4178
Q205	8-729-117-72	TRANSISTOR 2SC4178
Q401	8-729-905-61	TRANSISTOR DTC124EU
Q402	8-729-107-45	TRANSISTOR 2SC3624A-L16
Q403	8-729-107-45	TRANSISTOR 2SC3624A-L16
Q405	8-729-402-75	TRANSISTOR XN5501
Q406	8-729-800-36	TRANSISTOR 2SD1048
Q407	8-729-117-32	TRANSISTOR 2SC4177
Q408	8-729-117-32	TRANSISTOR 2SC4177
Q409	8-729-402-16	TRANSISTOR XN4608
Q410	8-729-117-32	TRANSISTOR 2SC4177
Q411	8-729-117-32	TRANSISTOR 2SC4177
Q412	8-729-905-61	TRANSISTOR DTC124EU
Q413	8-729-905-61	TRANSISTOR DTC124EU
Q420	8-729-123-86	TRANSISTOR 2SK238-K16
Q602	8-729-117-32	TRANSISTOR 2SC4177
Q603	8-729-117-32	TRANSISTOR 2SC4177
Q605	8-729-402-16	TRANSISTOR XN4608
Q606	8-729-800-36	TRANSISTOR 2SD1048
Q607	8-729-800-36	TRANSISTOR 2SD1048
Q801	8-729-109-42	TRANSISTOR 2SK94-X2
Q802	8-729-117-32	TRANSISTOR 2SC4177
Q804	8-729-117-32	TRANSISTOR 2SC4177
Q805	8-729-905-99	TRANSISTOR DTC114TU
Q806	8-729-905-99	TRANSISTOR DTC114TU
Q807	8-729-905-99	TRANSISTOR DTC114TU
Q808	8-729-905-61	TRANSISTOR DTC124EU
Q809	8-729-402-16	TRANSISTOR XN4608
Q811	8-729-800-68	TRANSISTOR 2SB815
Q812	8-729-800-68	TRANSISTOR 2SB815
Q813	8-729-800-68	TRANSISTOR 2SB815
Q814	8-729-800-68	TRANSISTOR 2SB815
Q815	8-729-800-68	TRANSISTOR 2SB815

Ref.No.	Part No.	Description
Q816	8-729-800-68	TRANSISTOR 2SB815
Q817	8-729-109-42	TRANSISTOR 2SK94-X2
Q818	8-729-403-17	TRANSISTOR XN1215
R1	1-216-819-11	METAL GLAZE 680 5% 1/16W
R2	1-216-829-11	METAL GLAZE 4.7K 5% 1/16W
R3	1-216-807-11	METAL GLAZE 68 5% 1/16W
R4	1-216-819-11	METAL GLAZE 680 5% 1/16W
R5	1-216-845-11	METAL GLAZE 100K 5% 1/16W
R6	1-216-864-11	METAL GLAZE 0 5% 1/16W
R7	1-216-864-11	METAL GLAZE 0 5% 1/16W
R8	1-216-797-11	METAL GLAZE 10 5% 1/16W
R9	1-216-820-11	METAL GLAZE 820 5% 1/16W
R10	1-216-819-11	METAL GLAZE 680 5% 1/16W
R11	1-216-829-11	METAL GLAZE 4.7K 5% 1/16W
R12	1-216-821-11	METAL GLAZE 1K 5% 1/16W
R13	1-216-821-11	METAL GLAZE 1K 5% 1/16W
R14	1-216-864-11 (NEW)....METAL GLAZE	0 5% 1/16W
	1-216-797-11 (FORMER)..METAL GLAZE	10 5% 1/16W
R15	1-216-797-11	METAL GLAZE 10 5% 1/16W
R16	1-216-828-11	METAL GLAZE 3.9K 5% 1/16W
R17	1-216-825-11	METAL GLAZE 2.2K 5% 1/16W
R18	1-216-825-11	METAL GLAZE 2.2K 5% 1/16W
R19	1-216-864-11 (FORMER)..METAL GLAZE	0 5% 1/16W
R20	1-216-864-11 (FORMER)..METAL GLAZE	0 5% 1/16W
R21	1-216-809-11	METAL GLAZE 100 5% 1/16W
R22	1-216-819-11	METAL GLAZE 680 5% 1/16W
R23	1-216-828-11	METAL GLAZE 3.9K 5% 1/16W
R24	1-216-809-11	METAL GLAZE 100 5% 1/16W
R25	1-216-825-11	METAL GLAZE 2.2K 5% 1/16W
R26	1-216-825-11	METAL GLAZE 2.2K 5% 1/16W
R30	1-216-809-11	METAL GLAZE 100 5% 1/16W
R31	1-216-817-11	METAL GLAZE 470 5% 1/16W
R32	1-216-809-11	METAL GLAZE 100 5% 1/16W
R33	1-216-815-11	METAL GLAZE 330 5% 1/16W
R34	1-216-821-11	METAL GLAZE 1K 5% 1/16W
R35	1-216-837-11	METAL GLAZE 22K 5% 1/16W
R204	1-216-818-11	METAL GLAZE 560 5% 1/16W
R205	1-216-821-11	METAL GLAZE 1K 5% 1/16W
R206	1-216-813-11	METAL GLAZE 220 5% 1/16W
R207	1-216-841-11	METAL GLAZE 47K 5% 1/16W
R208	1-216-864-11 (FORMER)..METAL GLAZE	0 5% 1/16W
R209	1-216-843-11	METAL GLAZE 68K 5% 1/16W
R210	1-216-809-11	METAL GLAZE 100 5% 1/16W
R211	1-216-821-11	METAL GLAZE 1K 5% 1/16W
R212	1-216-821-11	METAL GLAZE 1K 5% 1/16W
R213	1-216-836-11	METAL GLAZE 18K 5% 1/16W
R214	1-216-845-11	METAL GLAZE 100K 5% 1/16W
R218	1-216-817-11	METAL GLAZE 470 5% 1/16W
R219	1-216-817-11	METAL GLAZE 470 5% 1/16W
R220	1-216-837-11	METAL GLAZE 22K 5% 1/16W
R250	1-216-864-11	METAL GLAZE 0 5% 1/16W
R260	1-216-842-11 (NEW)....METAL GLAZE	56K 5% 1/16W
	1-216-864-11 (FORMER)..METAL GLAZE	0 5% 1/16W
R261	1-216-864-11	METAL GLAZE 0 5% 1/16W
R262	1-216-850-11	METAL GLAZE 270K 5% 1/16W
R263	1-216-851-11	METAL GLAZE 330K 5% 1/16W
R401	1-216-821-11	METAL GLAZE 1K 5% 1/16W
R402	1-216-845-11	METAL GLAZE 100K 5% 1/16W

Ref.No.	Part No.	Description
R403	1-216-797-11	METAL GLAZE 10 5% 1/16W
R404	1-216-825-11	METAL GLAZE 2.2K 5% 1/16W
R405	1-216-845-11	METAL GLAZE 100K 5% 1/16W
R406	1-216-845-11	METAL GLAZE 100K 5% 1/16W
R407	1-216-811-11	METAL GLAZE 150 5% 1/16W
R409	1-216-864-11	METAL GLAZE 0 5% 1/16W
R410	1-216-833-11	METAL GLAZE 10K 5% 1/16W
R411	1-216-809-11	METAL GLAZE 100 5% 1/16W
R412	1-216-825-11	METAL GLAZE 2.2K 5% 1/16W
R413	1-216-821-11	METAL GLAZE 1K 5% 1/16W
R414	1-216-829-11	METAL GLAZE 4.7K 5% 1/16W
R415	1-216-821-11	METAL GLAZE 1K 5% 1/16W
R416	1-216-833-11	METAL GLAZE 10K 5% 1/16W
R417	1-216-817-11	METAL GLAZE 470 5% 1/16W
R418	1-216-841-11	METAL GLAZE 47K 5% 1/16W
R419	1-216-833-11	METAL GLAZE 10K 5% 1/16W
R420	1-216-837-11	METAL GLAZE 22K 5% 1/16W
R421	1-216-821-11	METAL GLAZE 1K 5% 1/16W
R422	1-216-813-11	METAL GLAZE 220 5% 1/16W
R423	1-216-826-11	METAL GLAZE 2.7K 5% 1/16W
R424	1-216-848-11	METAL GLAZE 180K 5% 1/16W
R425	1-216-832-11	METAL GLAZE 8.2K 5% 1/16W
R426	1-216-823-11	METAL GLAZE 1.5K 5% 1/16W
R427	1-216-845-11	METAL GLAZE 100K 5% 1/16W
R428	1-216-845-11	METAL GLAZE 100K 5% 1/16W
R429	1-216-841-11	METAL GLAZE 47K 5% 1/16W
R430	1-216-845-11	METAL GLAZE 100K 5% 1/16W
R431	1-216-809-11	METAL GLAZE 100 5% 1/16W
R432	1-216-840-11	METAL GLAZE 39K 5% 1/16W
R433	1-216-837-11	METAL GLAZE 22K 5% 1/16W
R434	1-216-835-11	METAL GLAZE 15K 5% 1/16W
R437	1-216-839-11	METAL GLAZE 33K 5% 1/16W
R438	1-216-816-11	METAL GLAZE 390 5% 1/16W
R440	1-216-809-11	METAL GLAZE 100 5% 1/16W
R441	1-216-821-11	METAL GLAZE 1K 5% 1/16W
R442	1-216-845-11	METAL GLAZE 100K 5% 1/16W
R443	1-216-845-11	METAL GLAZE 100K 5% 1/16W
R450	1-216-296-00	METAL GLAZE 0 5% 1/8W
R602	1-216-864-11	METAL GLAZE 0 5% 1/16W
R603	1-216-845-11	METAL GLAZE 100K 5% 1/16W
R604	1-216-818-11	METAL GLAZE 560 5% 1/16W
R605	1-216-818-11	METAL GLAZE 560 5% 1/16W
R606	1-216-829-11	METAL GLAZE 4.7K 5% 1/16W
R607	1-216-829-11	METAL GLAZE 4.7K 5% 1/16W
R608	1-216-842-11	METAL GLAZE 56K 5% 1/16W
R609	1-216-013-00	METAL GLAZE 33 5% 1/10W
R610	1-216-013-00	METAL GLAZE 33 5% 1/10W
R612	1-216-797-11	METAL GLAZE 10 5% 1/16W
R613	1-216-843-11	METAL GLAZE 68K 5% 1/16W
R614	1-216-845-11	METAL GLAZE 100K 5% 1/16W
R615	1-216-845-11	METAL GLAZE 100K 5% 1/16W
R616	1-216-821-11	METAL GLAZE 1K 5% 1/16W
R620	1-216-833-11	METAL GLAZE 10K 5% 1/16W
R621	1-216-833-11	METAL GLAZE 10K 5% 1/16W
R622	1-216-825-11	METAL GLAZE 2.2K 5% 1/16W
R625	1-216-833-11	METAL GLAZE 10K 5% 1/16W
R626	1-216-799-11	METAL GLAZE 15 5% 1/16W

Ref.No.	Part No.	Description
R627	1-216-830-11	METAL GLAZE 5.6K 5% 1/16W
R628	1-216-864-11	(NEW)....METAL GLAZE 0 5% 1/16W
R629	1-216-296-00	(FORMER)..METAL GLAZE 0 5% 1/8W
R630	1-216-296-00	(FORMER)..METAL GLAZE 0 5% 1/8W
R631	1-216-296-00	(FORMER)..METAL GLAZE 0 5% 1/8W
R801	1-216-834-11	METAL GLAZE 12K 5% 1/16W
R802	1-216-832-11	METAL GLAZE 8.2K 5% 1/16W
R803	1-216-831-11	METAL GLAZE 6.8K 5% 1/16W
R804	1-216-832-11	METAL GLAZE 8.2K 5% 1/16W
R810	1-216-821-11	METAL GLAZE 1K 5% 1/16W
R811	1-216-857-11	METAL GLAZE 1M 5% 1/16W
R812	1-216-821-11	METAL GLAZE 1K 5% 1/16W
R813	1-216-820-11	METAL GLAZE 820 5% 1/16W
R818	1-216-805-11	METAL GLAZE 47 5% 1/16W
R819	1-216-857-11	METAL GLAZE 1M 5% 1/16W
R820	1-216-833-11	METAL GLAZE 10K 5% 1/16W
R821	1-216-833-11	METAL GLAZE 10K 5% 1/16W
R822	1-216-833-11	METAL GLAZE 10K 5% 1/16W
R824	1-216-833-11	METAL GLAZE 10K 5% 1/16W
R825	1-216-825-11	METAL GLAZE 2.2K 5% 1/16W
R826	1-216-833-11	METAL GLAZE 10K 5% 1/16W
R827	1-216-833-11	METAL GLAZE 10K 5% 1/16W
R828	1-216-825-11	METAL GLAZE 2.2K 5% 1/16W
R829	1-216-833-11	METAL GLAZE 10K 5% 1/16W
R831	1-216-833-11	METAL GLAZE 10K 5% 1/16W
R833	1-216-828-11	METAL GLAZE 3.9K 5% 1/16W
R834	1-216-840-11	METAL GLAZE 39K 5% 1/16W
R835	1-216-813-11	METAL GLAZE 220 5% 1/16W
R837	1-216-829-11	METAL GLAZE 4.7K 5% 1/16W
R838	1-216-797-11	METAL GLAZE 10 5% 1/16W
R839	1-216-825-11	METAL GLAZE 2.2K 5% 1/16W
R840	1-216-825-11	METAL GLAZE 2.2K 5% 1/16W
R841	1-216-825-11	METAL GLAZE 2.2K 5% 1/16W
R842	1-216-825-11	METAL GLAZE 2.2K 5% 1/16W
R843	1-216-825-11	METAL GLAZE 2.2K 5% 1/16W
R844	1-216-825-11	METAL GLAZE 2.2K 5% 1/16W
R845	1-216-833-11	METAL GLAZE 10K 5% 1/16W
R846	1-216-825-11	METAL GLAZE 2.2K 5% 1/16W
R847	1-216-825-11	METAL GLAZE 2.2K 5% 1/16W
R848	1-216-821-11	(NEW)....METAL GLAZE 1K 5% 1/16W
R849	1-249-417-11	(FORMER)..RES. CARBON 1K 5% 1/4W
R849	1-216-833-11	METAL GLAZE 10K 5% 1/16W
R850	1-216-857-11	(NEW)....METAL GLAZE 1M 5% 1/16W
R851	1-216-857-11	(NEW)....METAL GLAZE 1M 5% 1/16W
R888	1-216-295-00	(FORMER)..METAL GLAZE 0 5% 1/10W
RV202	1-237-146-21	RES, ADJ, METAL GLAZE 220K
RV401	1-237-119-11	RES, ADJ, METAL GLAZE 22K
RV601	1-237-997-11	RES, VAR, CARBON 20K/20K (VOLUME)
S1	1-570-114-11	SWITCH, SLIDE (SENS)
S601	1-570-114-11	SWITCH, SLIDE (TONE)
S801	1-570-675-11	SWITCH, SLIDE (MW CH STEP)
S802	1-571-385-11	SWITCH, KEY BOARD (LIGHT)
S803	1-570-675-11	SWITCH, SLIDE (MAIN POWER)
SP601	1-503-842-11	SPEAKER
T1	1-426-345-11	TRANSFORMER, HIGH FREQUENCY
T2	1-426-357-11	TRANSFORMER, RF
T3	1-404-780-11	TRANSFORMER, IF
T4	1-404-779-11	TRANSFORMER, IF

Ref.No.	Part No.	Description
T5	1-404-778-11	TRANSFORMER, IF
T201	1-406-271-11	COIL (OSC)
T202	1-406-270-11	COIL (OSC)
T401	1-459-828-11	COIL (WITH CORE)
T402	1-459-829-11	COIL (WITH CORE)
T403	1-459-827-11	COIL (WITH CORE)
T601	1-449-021-21	TRANSFORMER, DC-DC CONVERTER
XF1	1-567-987-11	FILTER, CRYSTAL
XT201	1-567-986-11	VIBRATOR, CRYSTAL (55.4MHz)
XT801	1-567-769-11	VIBRATOR, CRYSTAL (75kHz)

ACCESSORY & PACKING MATERIAL

A-3642-002-A	COUPLER ASSY
△1-463-959-11	(Canadian).....ADAPTOR, AC (AC-302)
△1-463-960-11	(UK).....ADAPTOR, AC (AC-303)
△1-463-961-11	(US).....ADAPTOR, AC (AC-301)
△1-463-976-11	(AEP TYPE1-2/2/3-1)...ADAPTOR, AC (AC-304)
△1-463-977-11	(E TYPE1-1/1-2/2,Saudi Arabia AEP TYPE1-1/3-2).....ADAPTOR, AC (AC-301)
△1-506-444-11	(Canadian).....ADAPTOR, CONVERSION
△1-506-401-00	(AEP TYPE1-2/2/3-1)...ADAPTOR, CONVERSION
△1-565-250-11	(US,Saudi Arabia E TYPE1-1/1-2/2 AEP TYPE1-1/3-2).....PLUG, CONVERSION 2P
3-893-708-01	BELT, CARRYING
3-893-726-01	COLLAR, BELT
3-893-730-01	BRACKET, BELT
3-893-802-04	(EXCEPT Saudi Arabia, E TYPE2) ...BOOK, GUIDE, WAVE
3-887-285-07	(Saudi Arabia,E TYPE2)...BOOK, GUIDE, WAVE
3-899-537-01	CASE (SOFT), CARRYING
3-899-562-01	INDIVIDUAL CARTON
3-899-565-01	CASE (HARD), CARRYING
*3-899-566-01	CUSHION (B)
3-899-571-01	NUT (M2.6), PLATE
*3-899-572-01	(Canadian,AEP TYPE1-2/2/3-1,UK).BLIND, CASE
*3-899-572-11	(US,Saudi Arabia,Australian E TYPE1-1/1-2/2 AEP TYPE1-1/3-2).....BLIND, CASE
3-990-135-11	(Canadian,AEP,UK,E,Saudi Arabia,Australian).. ..MANUAL, INSTRUCTION
3-990-135-21	(US).....MANUAL, INSTRUCTION
3-990-135-41	(AEP).....MANUAL, INSTRUCTION
7-621-662-40	SCREW +RK 2.6X10
7-624-109-04	STOP RING 5.0, TYPE -E
8-952-321-92	EARPHONE MDR-E434/C SET

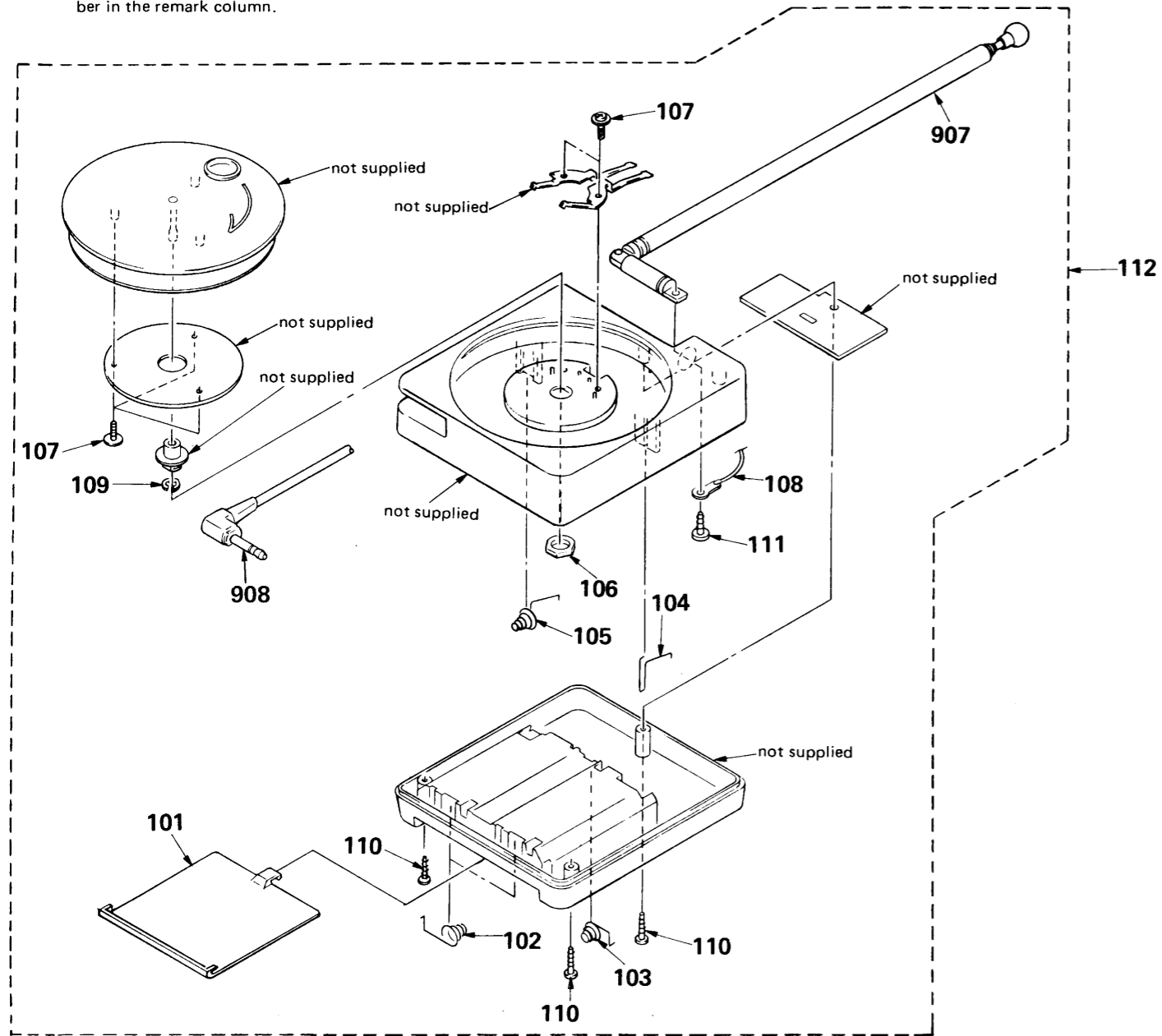
Note:
The components identified by mark △ or dotted line with mark △ are critical for safety. Replace only with part number specified.

Note:
Les composants identifiés par une marque △ sont critiques pour la sécurité. Ne les remplacer que par une pièce portant le numéro spécifié.

SECTION 8 ANTENNA MODULE (AN-101)

NOTE:

- The mechanical parts with no reference number in the exploded views are not supplied.
- The construction parts of an assembled part are indicated with a collation number in the remark column.
- Items marked "*" are not stocked since they are seldom required for routine service. Some delay should be anticipated when ordering these items.
- Due to standardization, parts with part number suffix -XX and -X may be different from the parts specified in the components used on the set.



No.	Part No.	Description	Remarks	No.	Part No.	Description	Remarks
101	3-899-544-01	LID, BATTERY CASE		108	7-623-508-01	LUG, 3	
102	3-894-723-01	SPRING (B)		109	7-624-104-04	STOP RING 2.0, TYPE -E	
103	3-894-717-01	SPRING (A)		110	7-685-105-19	SCREW +P 2X8 TYPE2 SLIT	
104	3-899-542-01	TERMINAL (-), BATTERY		111	7-685-646-79	SCREW +BTP 3X8 TYPE2 N-S	
105	3-899-541-01	TERMINAL (+), BATTERY		112	A-3641-193-A	ANTENNA ASSY	
106	3-897-115-01	NUT, VOLUME		907	1-501-400-11	ANTENNA, TELESCOPIC	
107	3-318-201-31	SCREW (B) (1.4X5), TAPPING		908	1-559-706-11	CORD (WITH PLUG)	

SONY[®] SERVICE MANUAL

US Model
Canadian Model
AEP Model
UK Model
E Model
Australian Model

SUPPLEMENT-1

File this supplement with the service manual.

Subject: ICF-SW1E model is added.
(except US, Canadian and Australian models)

- There are two types of sets, system type (ICF-SW1S) and economy type (ICF-SW1E) in this set.
- System type (ICF-SW1S) is all the same as ICF-SW1.
See ICF-SW1 service manual previously issued for the information of this set.
- Economy type (ICF-SW1E) is the same as ICF-SW1 except for accessory and packing part. (See page 46.)

NOTE:

- The mechanical parts with no reference number in the exploded views are not supplied.
- The construction parts of an assembled part are indicated with a collation number in the remark column.
- Items marked "*" are not stocked since they are seldom required for routine service. Some delay should be anticipated when ordering these items.

• **ACCESSORY & PACKING MATERIAL**

<i>Description</i>	SYSTEM TYPE ICF-SW1S	ECONOMY TYPE ICF-SW1E
	<i>Part No.</i>	<i>Part No.</i>
ANTENA MODULE (AN-101)	A-3641-193-A	
COUPLER ASSY	A-3642-002-A	
(Canadian) ADAPTOR, AC (AC-302)	△ 1-463-959-11	
(UK) ADAPTOR, AC (AC-303)	△ 1-463-960-11	
(US) ADAPTOR, AC (AC-301)	△ 1-463-961-11	
(AEP TYPE1-2/3-1) ADAPTOR, AC (AC-304)	△ 1-463-976-11	
(E TYPE1-1/1-2/2, Saudi Arabia AEP TYPE1-1/2/3-2) ADAPTOR, AC (AC-301)	△ 1-463-977-11	NOT SUPPLIED
(Canadian) ADAPTOR, CONVERSION	△ 1-506-444-11	
(AEP TYPE1-2/3-1) ADAPTOR, CONVERSION	△ 1-506-409-11	
(US, E TYPE1-1/1-2/2, Saudi Arabia AEP TYPE1-1/2/3-2) PLUG, CONVERSION 2P	△ 1-565-250-11	
BELT, CARRYING	3-893-708-01	
COLLAR, BELT	3-893-726-01	
BRACKET, BELT	3-893-730-01	
(US, Canadian, E TYPE1-1/1-2, AEP, UK, Australian). BOOK, GUIDE, WAVE	3-893-802-04	3-893-802-04
(Saudi Arabia, E TYPE2 BOOK, GUIDE, WAVE	3-887-285-07	3-887-285-07
CASE (SOFT), CARRYING	3-899-537-01	3-900-115-01
INDIVIDUAL CARTON	3-899-562-01	*3-900-103-01
INDIVIDUAL CARTON (LID)	_____	*3-900-104-01
CUSHION	_____	*3-900-105-01
CASE (HARD), CARRYING	3-899-565-01	
CUSHION (B)	3-899-566-01	
NUT (M2.6), PLATE	3-899-571-01	NOT SUPPLIED
(Canadian, AEP TYPE1-2/3-1, UK) BLIND, CASE	3-899-572-01	
(US, E TYPE1-1/1-2/2, Saudi Arabia, AEP TYPE1-1/2/3-2) BLIND, CASE	3-899-572-11	
(Canadian, AEP, UK, E, Australian, Saudi Arabia) MANUAL; INSTRUCTION	3-990-135-11	3-786-366-11
(US) MANUAL, INSTRUCTION	3-990-135-21	3-786-366-21
(AEP TYPE1-1/1-2/3-1) MANUAL, INSTRUCTION	3-990-135-41	3-786-366-41
(Saudi Arabia) MANUAL, INSTRUCTION	_____	3-786-366-51
SCREW +RK2.6 x 10	7-621-662-40	} NOT SUPPLIED
STOP RING 5.0 TYPE-E	7-624-109-04	
EARPHONE, MDR-E434	8-952-321-92	

<p>Note: The components identified by mark △ or dotted line with mark △ are critical for safety. Replace only with part number specified.</p>	<p>Note: Les composants identifiés par une marque △ sont critiques pour la sécurité. Ne les remplacer que par une pièce portant le numéro spécifié.</p>
--	--

SONY[®] SERVICE MANUAL


*US Model
Canadian Model
AEP Model
UK Model
E Model
Australian Model*

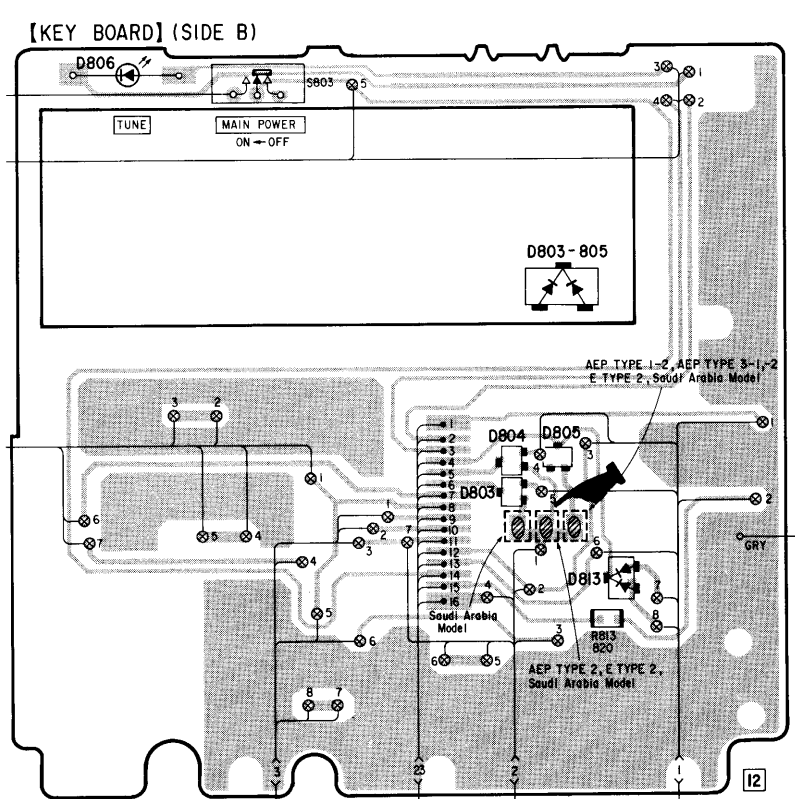
SUPPLEMENT-2

File this supplement with the service manual.

Subject:

AM frequency range is changed in
West Germany model.
(150 kHz – 26.1 MHz ⇨ 150 kHz – 29.995 MHz)

- Applicable Serial No. 157,601 and later.
- Remove solder bridge ().



ICF-SW1

AN-101

SONY. SERVICE MANUAL

US Model
Canadian Model
AEP Model
UK Model
E Model
Australian Model

SUPPLEMENT-3

File this supplement with the service manual.

Subject: EXPLODED VIEWS

(RPC-97008)

• EXPLODED VIEWS (Service Manual see page 37)

 : Changed portion

