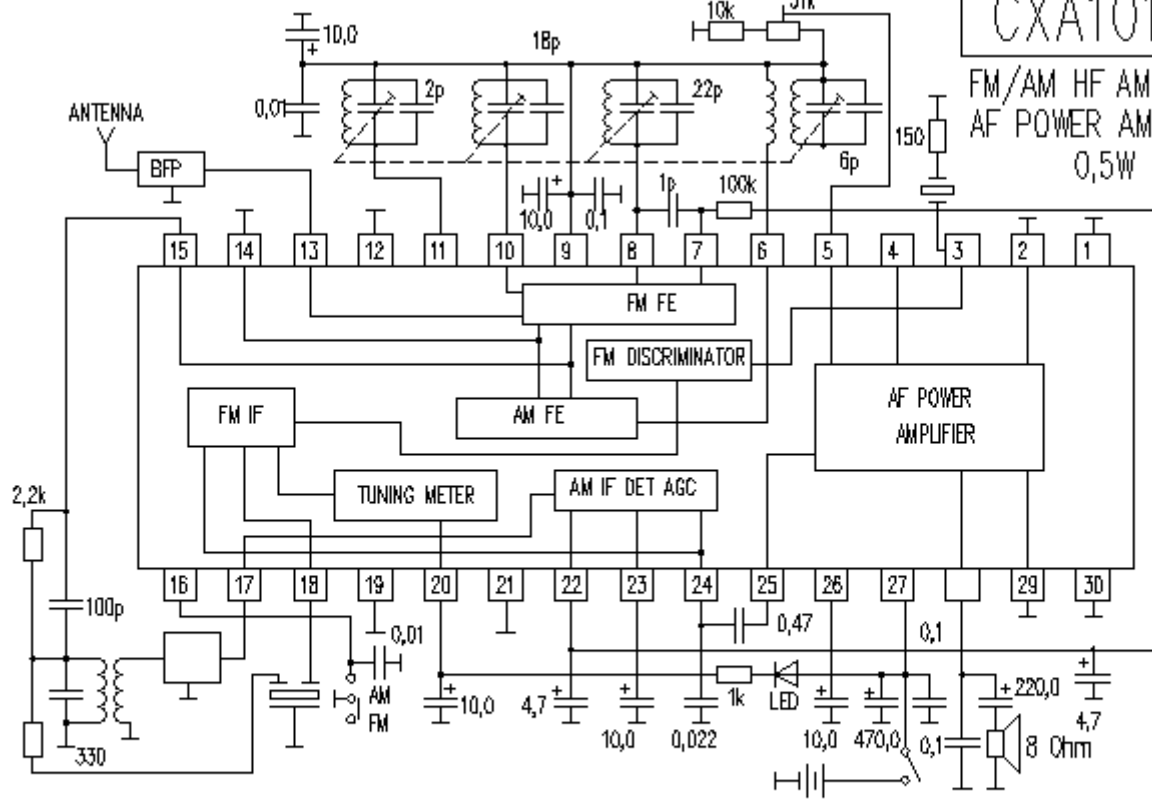


CXA1019S

FM/AM HF AMPLIFIER
AF POWER AMPLIFIER
0,5W



VCC MAX = 9V
VCC TYP = 6V
VCC RNG = 2...8,5V

ICCD TYP = 7mA
ICCD MAX = 14mA
IMAX = -

Po = 0,5W
RL = 8 Ohm
TDH = 10%

RIN = -
Gain = 31,5dB
Noise = -

RTH-c = -
Case SDIP30

This datasheet has been downloaded from:

www.DatasheetCatalog.com

Datasheets for electronic components.